



Chipsmall Limited consists of a professional team with an average of over 10 year of expertise in the distribution of electronic components. Based in Hongkong, we have already established firm and mutual-benefit business relationships with customers from,Europe,America and south Asia,supplying obsolete and hard-to-find components to meet their specific needs.

With the principle of “Quality Parts,Customers Priority,Honest Operation,and Considerate Service”,our business mainly focus on the distribution of electronic components. Line cards we deal with include Microchip,ALPS,ROHM,Xilinx,Pulse,ON,Everlight and Freescale. Main products comprise IC,Modules,Potentiometer,IC Socket,Relay,Connector.Our parts cover such applications as commercial,industrial, and automotives areas.

We are looking forward to setting up business relationship with you and hope to provide you with the best service and solution. Let us make a better world for our industry!



Contact us

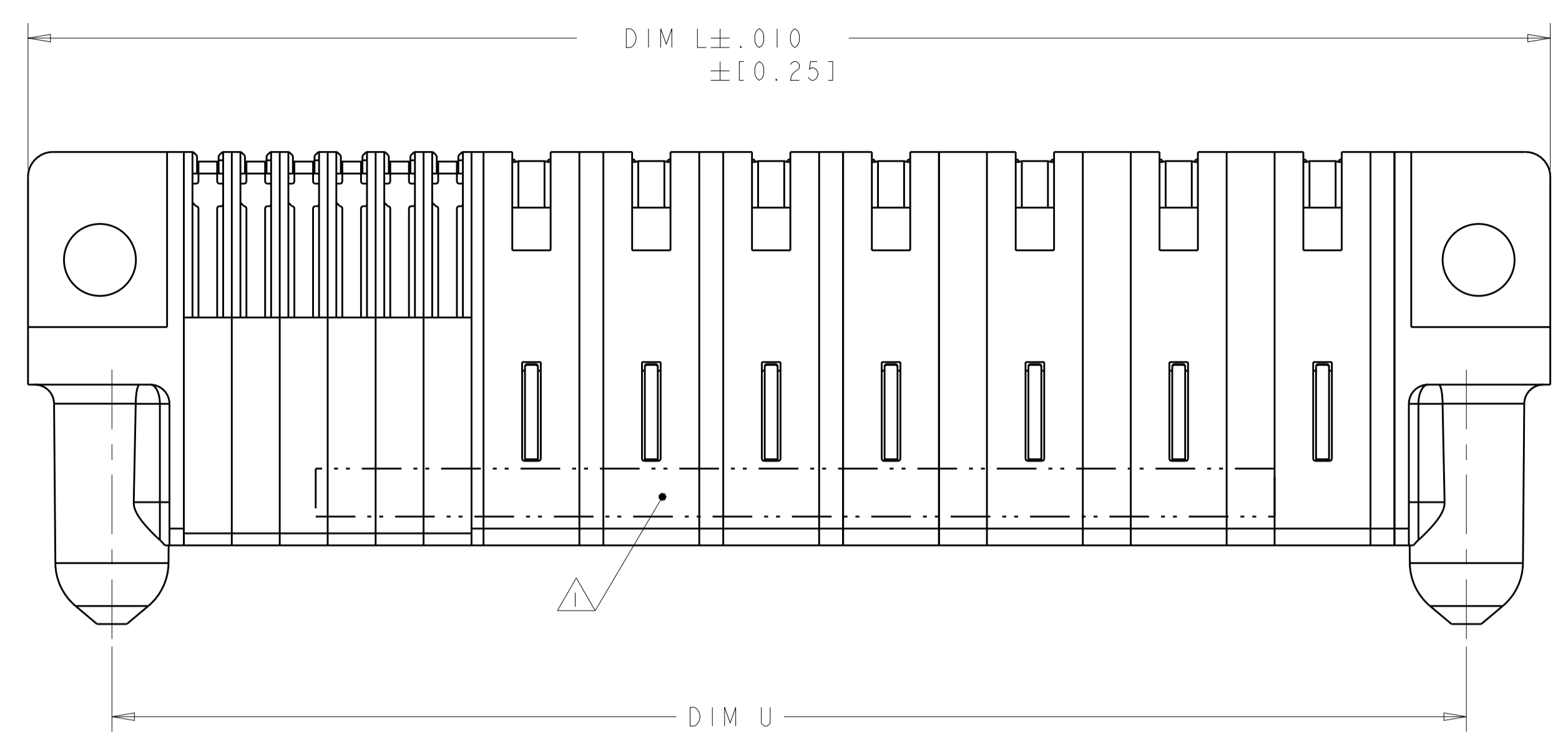
Tel: +86-755-8981 8866 Fax: +86-755-8427 6832

Email & Skype: info@chipsmall.com Web: www.chipsmall.com

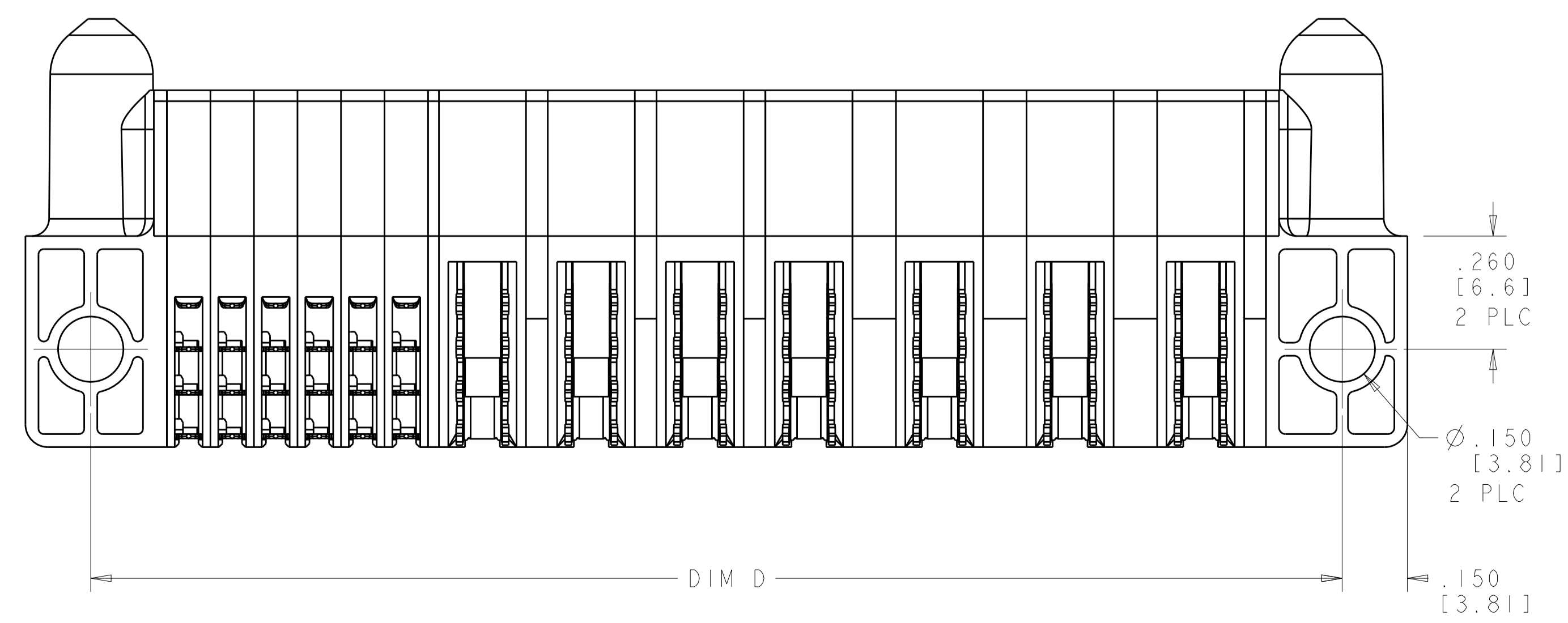
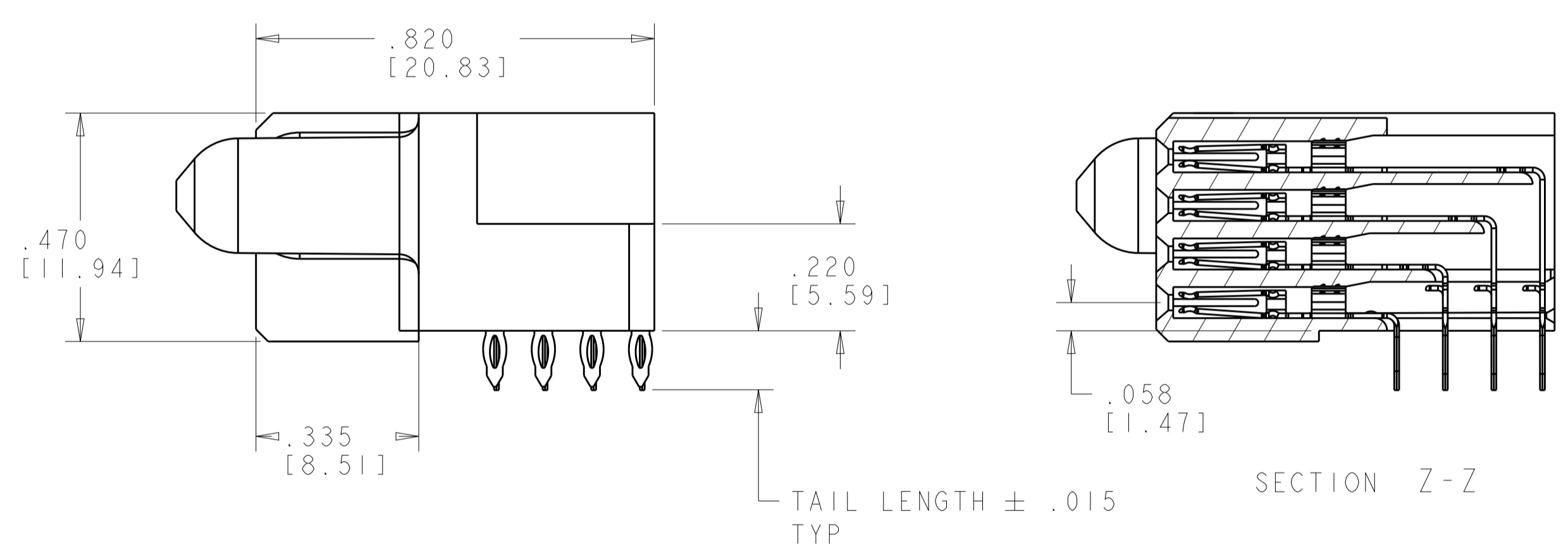
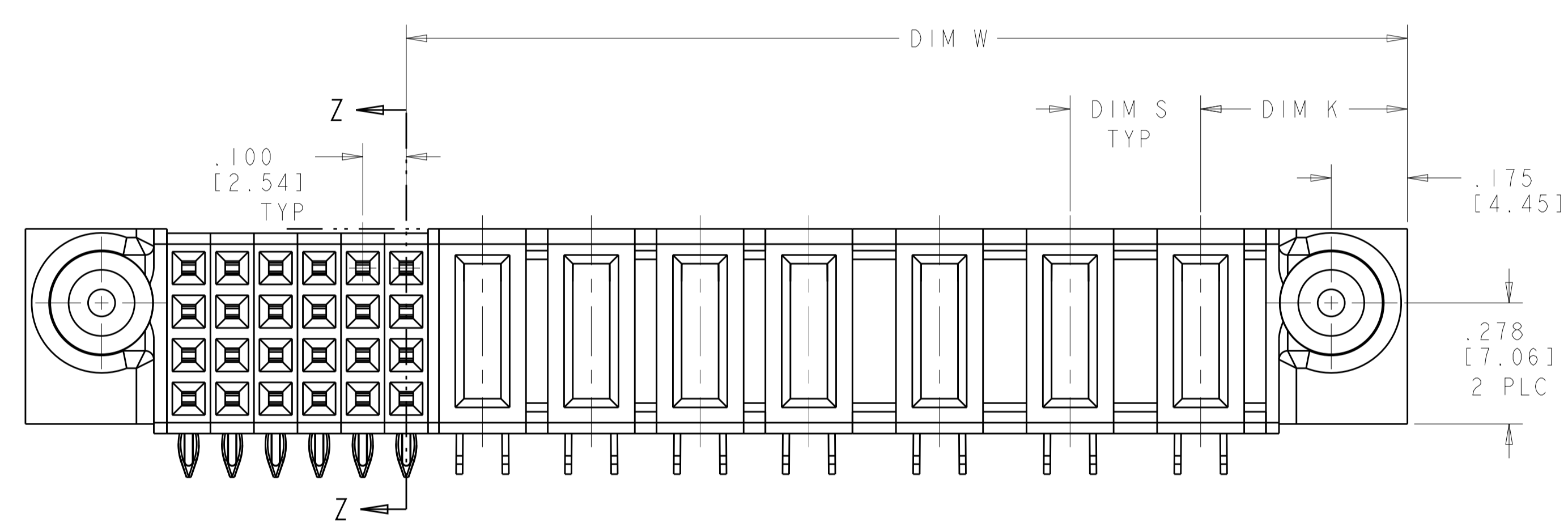
Address: A1208, Overseas Decoration Building, #122 Zhenhua RD., Futian, Shenzhen, China



LOC		DIST		REVISIONS			
ES	00	P	LTH	DESCRIPTION	DATE	DWN	APVD
		C5		REV PER ECR-13-004638	20MAR2013	ML	SZ



- 1 "AMP", PART NUMBER AND DATE CODE TO BE MARKED IN AREA SHOWN. PARTS UNDER 2.00 LONG MAY BE MARKED ON BOTH SIDES.
- 2 MATERIAL: HOUSING - GLASS FILLED HIGH TEMP THERMO PLASTIC, UL94 V-0.
SIGNAL CONTACT - HIGH CONDUCTIVITY COPPER ALLOY
POWER CONTACT - HIGH CONDUCTIVITY COPPER ALLOY
- 3 CONTACT PLATING: NOBLE METAL PLATING ON CONTACT FUNCTIONAL AREA OF POWER AND SIGNAL CONTACTS
- 4 MECHANICAL CONNECTOR KEEP OUT ZONE.
- 5 DATUM AND BASIC DIMENSIONS ESTABLISHED BY CUSTOMER.
- 6 PCB - ALL HOLE DIAMETERS ARE FINISHED HOLE SIZES
- 7 PCB - .0453±.0010[1.151±0.025] DRILLED HOLES PLATED WITH .0003[0.008] MIN Sn OVER .001[0.03] TO .003[0.08] Cu PLATING TO ACHIEVE A .040[1.02] DIAMETER HOLE
- 8 VARIABLE DIMENSION SHOW ON TABLE.



3.325[84.46]	△8	2.800[71.12]	3.375[85.73]	3.675[93.35]	.425[11.80]	3ACP + 6P + 24S	6450572-5
2.150[54.61]	.200[5.08]	1.625[41.28]	2.200[55.88]	2.500[63.50]	.450[11.43]	6P + 24S	6450572-4
3.900[99.06]	.250[6.35]	3.375[85.73]	3.950[100.33]	4.250[107.95]	.450[11.43]	12P + 24S	6450572-3
3.875[98.43]	△8	3.550[90.17]	3.925[99.70]	4.225[107.32]	.475[12.07]	3ACP + 9P + 16S	6450572-2
2.825[71.76]	△8	2.300[58.42]	2.875[73.03]	3.175[80.65]	.475[12.07]	3ACP + 4P + 24S	6450572-1
U	S	W	D	L	K	DESCRIPTION	PART NUMBER

THE DRAWING IS UNPUBLISHED. RELEASED FOR PUBLICATION BY TYCO ELECTRONICS CORPORATION. ALL RIGHTS RESERVED.

DIMENSIONS: INCHES/[MM]

TOLERANCES UNLESS OTHERWISE SPECIFIED:

0 PLC	±.01
1 PLC	±0.03
2 PLC	±0.10 [1.3]
3 PLC	±.005 [0.051]
4 PLC	±.002
ANGLES	±.02

MATERIAL: △2

FINISH: △3

DWN: R. GRZYBOWSKI 11JAN05

CHK: M. PERCHERKE 11JAN05

APVD: M. PERCHERKE

NAME: Tyco Electronics Corporation
Shanghai, P.R. China. 200233

PRODUCT SPEC: 108-1973

APPLICATION SPEC: 114-13038

WEIGHT: -

CUSTOMER DRAWING

SIZE: A1

CAGE CODE: 00779

DRAWING NO: 6450572

RESTRICTED TO: -

SCALE: 4:1

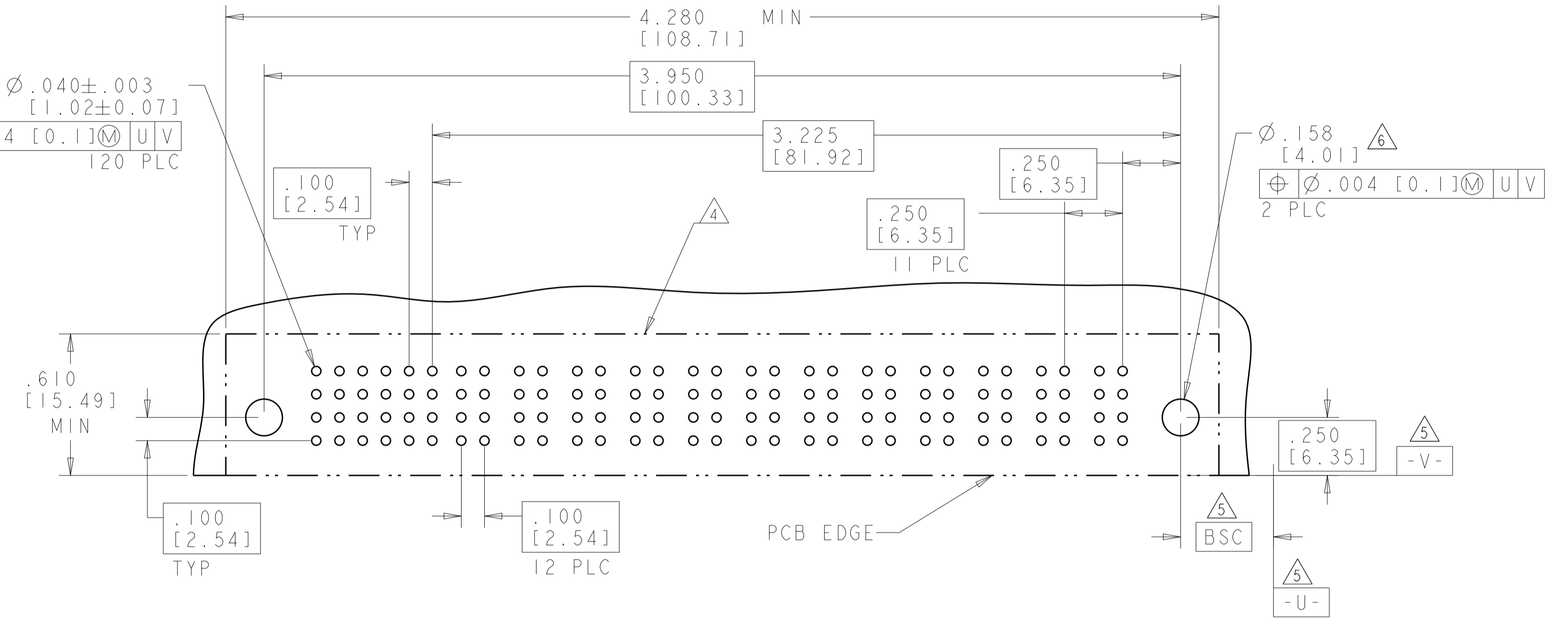
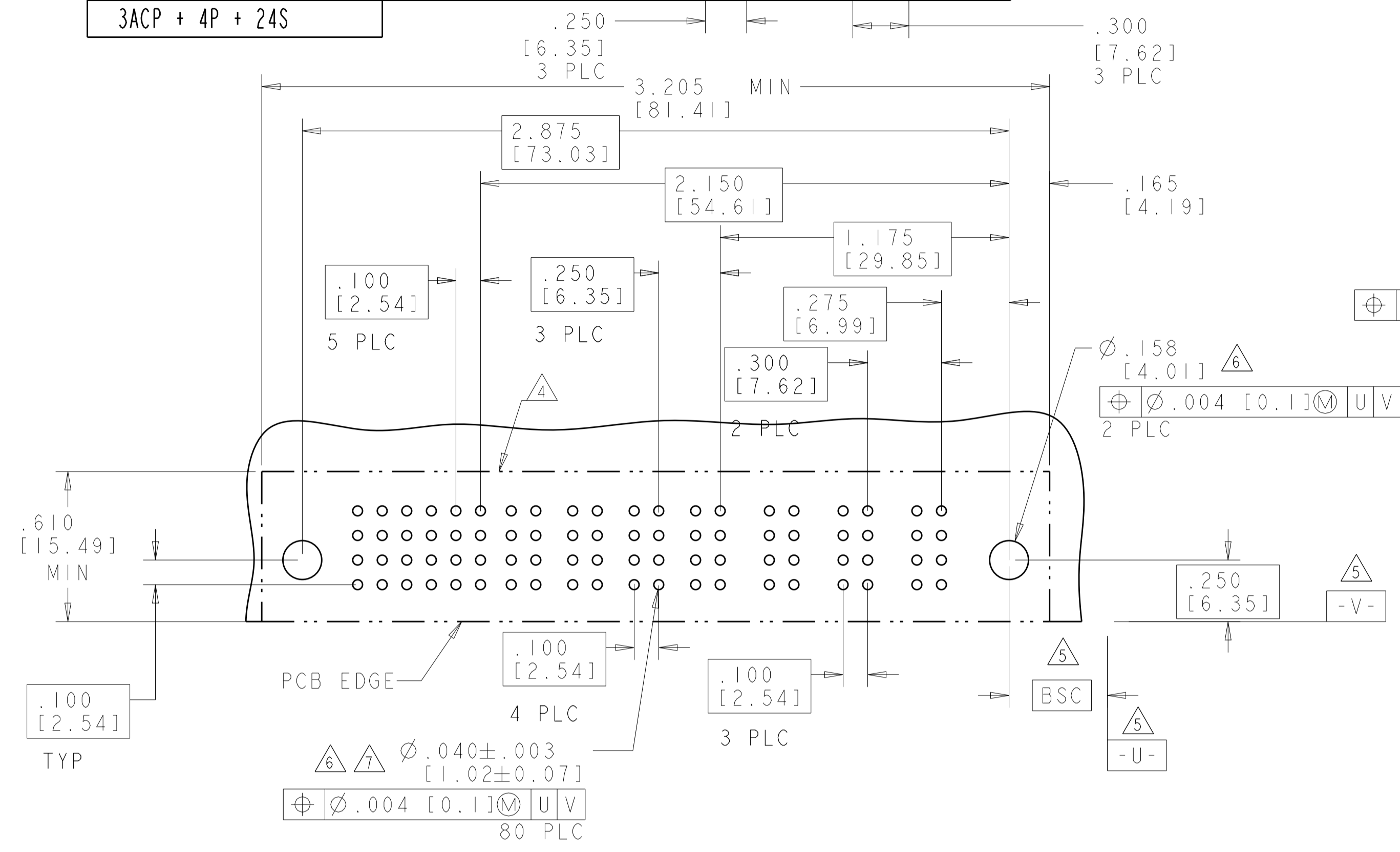
SHEET: 1 OF 3

REV: C5

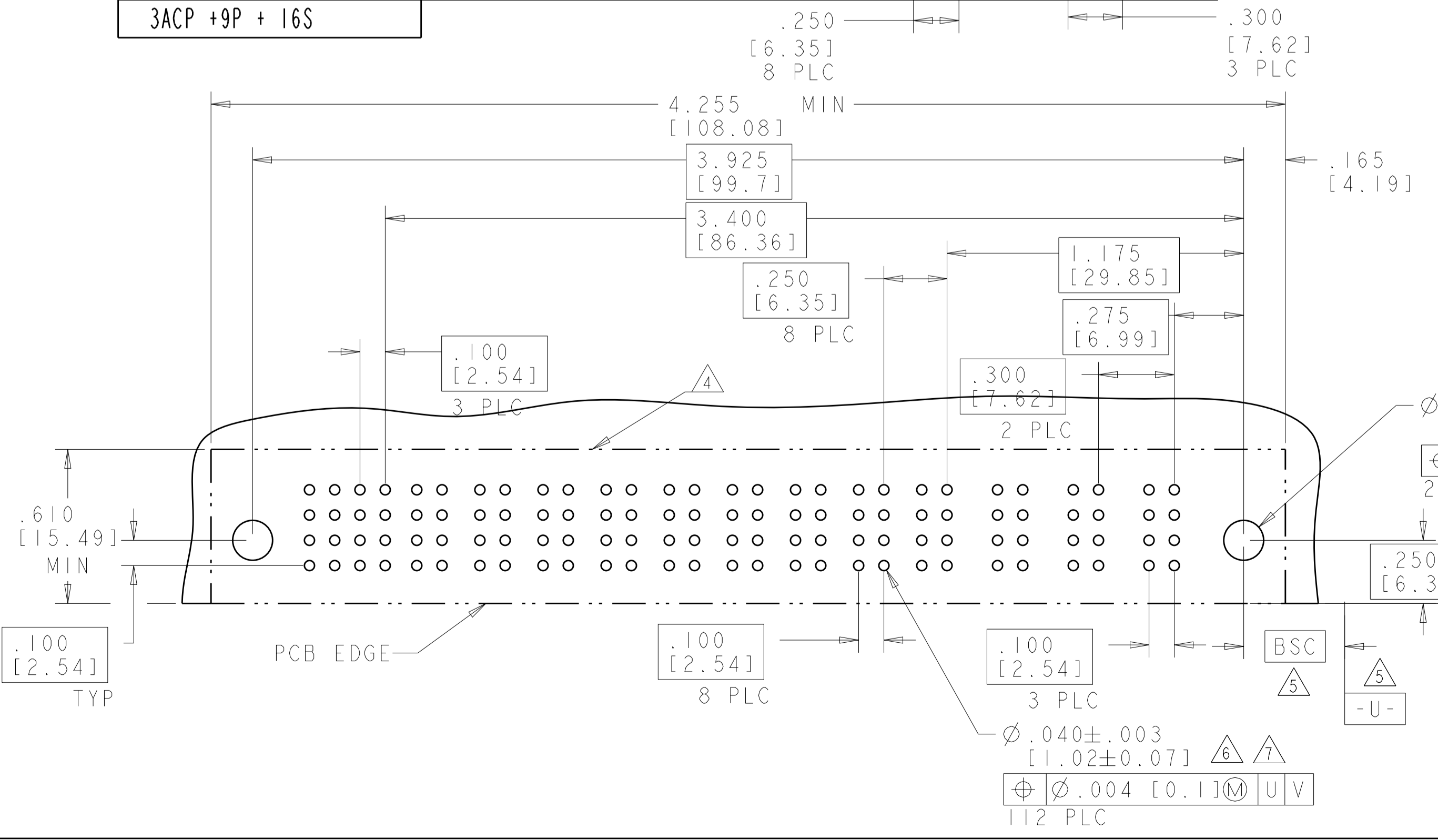
LOC	DIST	REV	DATE	APPD
ES	00			

PART NUMBER	ROWS	SIGNAL						POWER						
		6	5	4	3	2	1	P7	P6	P5	P4	P3	P2	P1
6450572-1	D	D	D	D	D	D	D	RS	RS	RS	RS	RP	RS	RS
	C	C	C	C	C	C	C	RS	RS	RS	RS	RP	RS	RS
	B	B	B	B	B	B	B	RS	RS	RS	RS	RP	RS	RS
	A	A	A	A	A	A	A	RS	RS	RS	RS	RP	RS	RS

PART NUMBER	ROWS	SIGNAL						POWER											
		6	5	4	3	2	1	P12	P11	P10	P9	P8	P7	P6	P5	P4	P3	P2	P1
6450572-3	D	D	D	D	D	D	D	RP	RP	RP	RS	RS	RS	RS	RS	RS	RP	RP	RP
	C	C	C	C	C	C	C	RP	RP	RP	RS	RS	RS	RS	RS	RS	RP	RP	RP
	B	B	B	B	B	B	B	RP	RP	RP	RS	RS	RS	RS	RS	RS	RP	RP	RP
	A	A	A	A	A	A	A	RP	RP	RP	RS	RS	RS	RS	RS	RS	RP	RP	RP



PART NUMBER	ROWS	SIGNAL				POWER											
		4	3	2	1	P12	P11	P10	P9	P8	P7	P6	P5	P4	P3	P2	P1
6450572-2	D	D	D	D	D	RS	RS	RP	RP	RP	RP	RS	RS	RS	RP	RS	RS
	C	C	C	C	C	RS	RS	RP	RP	RP	RP	RS	RS	RS	RP	RS	RS
	B	B	B	B	B	RS	RS	RP	RP	RP	RP	RS	RS	RS	RP	RS	RS
	A	A	A	A	A	RS	RS	RP	RP	RP	RP	RS	RS	RS	RP	RS	RS



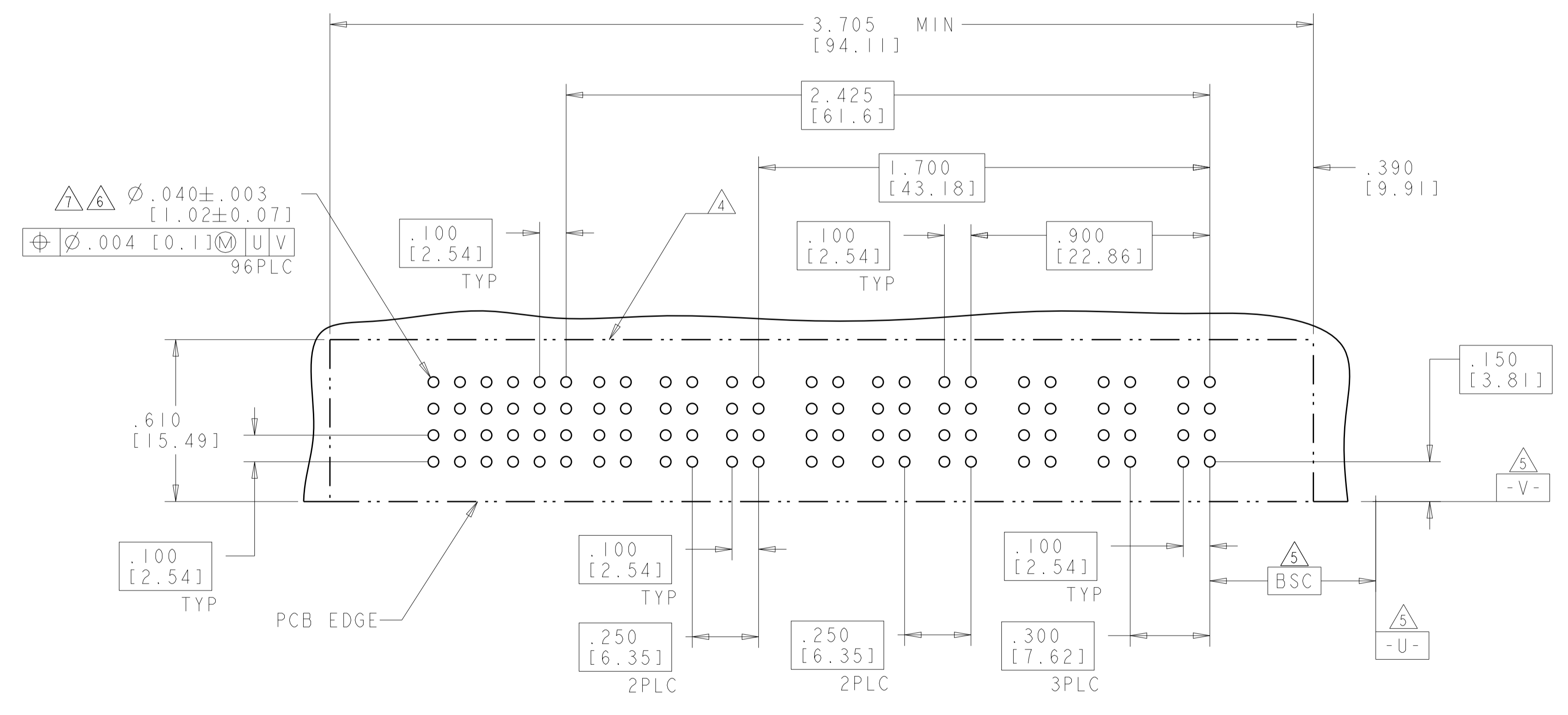
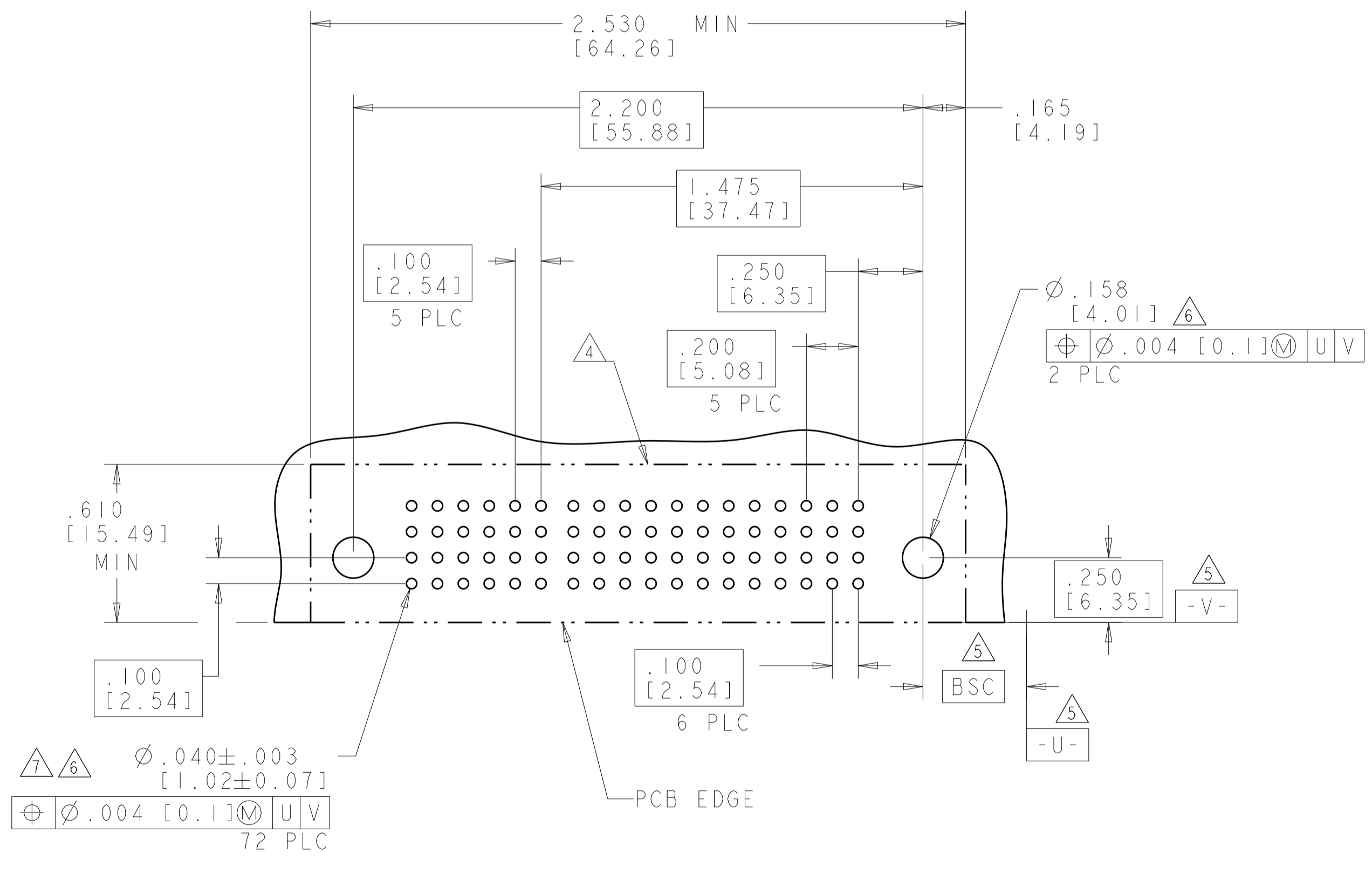
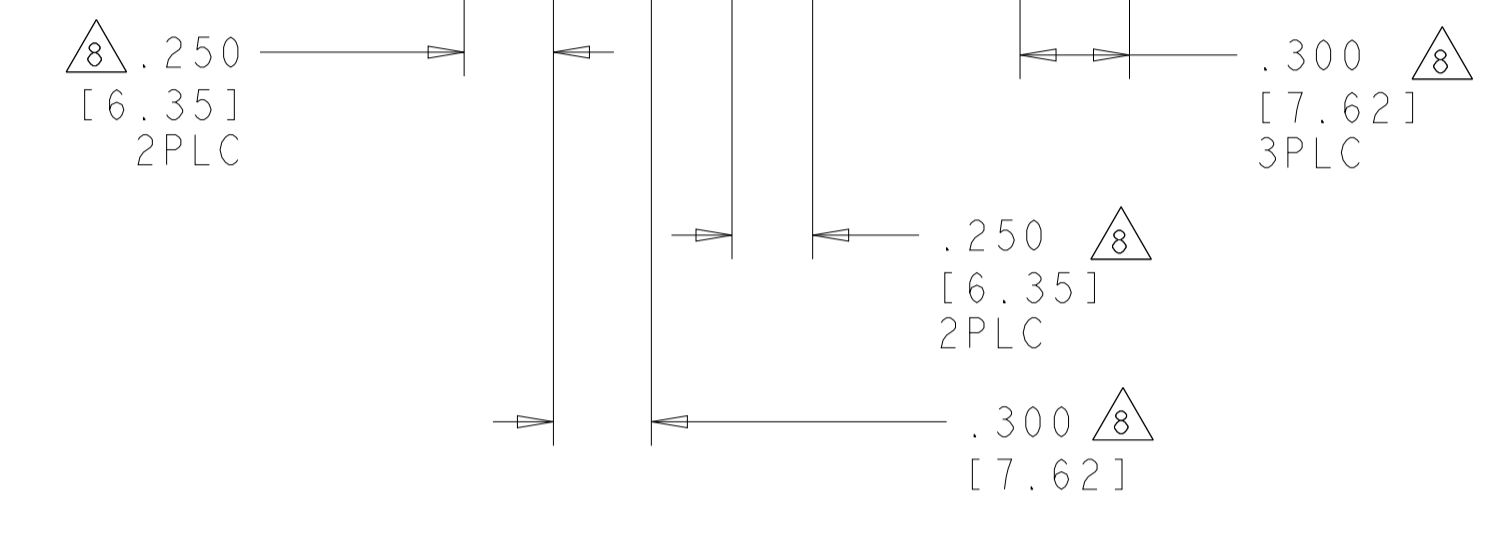
CODE	DESCRIPTION	ROW
DD	SIGNAL CONTACT, PRESS-FIT, 165 TAIL LENGTH,	D
CC	SIGNAL CONTACT, PRESS-FIT, 165 TAIL LENGTH,	C
BB	SIGNAL CONTACT, PRESS-FIT, 165 TAIL LENGTH,	B
AA	SIGNAL CONTACT, PRESS-FIT, 165 TAIL LENGTH,	A
D	SIGNAL CONTACT, PRESS-FIT, 119 TAIL LENGTH,	D
C	SIGNAL CONTACT, PRESS-FIT, 119 TAIL LENGTH,	C
B	SIGNAL CONTACT, PRESS-FIT, 119 TAIL LENGTH,	B
A	SIGNAL CONTACT, PRESS-FIT, 119 TAIL LENGTH,	A
RK	POWER CONTACT, MFBL, PRESS FIT, .165 TAIL LENGTH,	-
RL	POWER CONTACT, STD, PRESS-FIT, .165 TAIL LENGTH,	-
RP	POWER CONTACT, MFBL, PRESS FIT, .119 TAIL LENGTH,	-
RS	POWER CONTACT, STD, PRESS-FIT, .119 TAIL LENGTH,	-

DIMENSIONS: INCHES/[MM]		TOLERANCES UNLESS OTHERWISE SPECIFIED: 0 PLC ±.03 1 PLC ±0.13 2 PLC ±0.11(0.13) 3 PLC ±.005(0.051) 4 PLC ±.002 ANGLES ±.2		DWN R. GRZYBOWSKI I1JAN05 CHK M. PERCHERKE I1JAN05 APVD M. PERCHERKE PRODUCT SPEC NAME 108-1973 APPLICATION SPEC SIZE 114-13038 WEIGHT CUSTOMER DRAWING		Tyco Electronics Tyco Electronics Corporation Shanghai, P.R. China. 200233 RIGHT ANGLE RECEPTACLE ASSEMBLY PRESS FIT W/GUIDES MULTI-BEAM XL A1 00779 ©=6450572 SCALE 4:1 SHEET 2 OF 3 REV C5	
----------------------------	--	---	--	---	--	---	--

LOC	DIST	REVISIONS			
P	LTN	DESCRIPTION	DATE	DMN	APVD
-	-	SEE SHEET 1	-	-	-

PART NUMBER	ROWS	SIGNAL						POWER					
		6	5	4	3	2	1	P6	P5	P4	P3	P2	P1
6450572-4	D C B A	D	D	D	D	D	D	RS	RS	RS	RS	RS	RS
		C	C	C	C	C	C						
		B	B	B	B	B	B						
		A	A	A	A	A	A						
6P + 24S													

PART NUMBER	ROWS	SIGNAL						POWER								
		6	5	4	3	2	1	P9	P8	P7	P6	P5	P4	P3	P2	P1
6450572-5	D C B A	DD	DD	DD	DD	DD	DD	RL	RL	RL	RL	RL	RL	RK	RL	RL
		CC	CC	CC	CC	CC	CC									
		BB	BB	BB	BB	BB	BB									
3ACP + 6P + 24S																



<small>THIS DRAWING IS UNPUBLISHED. RELEASED FOR PUBLICATION BY TYCO ELECTRONICS CORPORATION. ALL RIGHTS RESERVED.</small> <small>THIS IS THE PROPERTY OF TYCO ELECTRONICS CORPORATION. IT IS TO BE KEPT IN CONFIDENTIALITY AND NOT TO BE REPRODUCED OR TRANSMITTED IN ANY FORM OR BY ANY MEANS, ELECTRONIC OR MECHANICAL, INCLUDING PHOTOCOPYING, RECORDING, OR BY ANY INFORMATION STORAGE AND RETRIEVAL SYSTEM, WITHOUT THE WRITTEN PERMISSION OF TYCO ELECTRONICS CORPORATION.</small>		DWN: R.GRZYBOWSKI CHK: M.PERCHEKKE APVD: M.PERCHEKKE NAME: I1JAN05 PRODUCT SPEC: 108-1973 APPLICATION SPEC: 114-13038	Tyco Electronics Corporation Shanghai, P.R.China. 200233
DIMENSIONS: INCHES/[MM] TOLERANCES UNLESS OTHERWISE SPECIFIED: 0 PLC ±0.31 1 PLC ±0.11(0.13) 3 PLC ±0.05(0.051) 4 PLC ±0.020 ANGLES #2 FINISH	MATERIAL: FINISH: WEIGHT: CUSTOMER DRAWING	NAME: I1JAN05 PRODUCT SPEC: 108-1973 APPLICATION SPEC: 114-13038 CAGE CODE: 00779 DRAWING NO: 6450572 SCALE: 4:1 SHEET: 3 OF 3 REV: C5	RESTRICTED TO