



Chipsmall Limited consists of a professional team with an average of over 10 year of expertise in the distribution of electronic components. Based in Hongkong, we have already established firm and mutual-benefit business relationships with customers from,Europe,America and south Asia,supplying obsolete and hard-to-find components to meet their specific needs.

With the principle of “Quality Parts,Customers Priority,Honest Operation,and Considerate Service”,our business mainly focus on the distribution of electronic components. Line cards we deal with include Microchip,ALPS,ROHM,Xilinx,Pulse,ON,Everlight and Freescale. Main products comprise IC,Modules,Potentiometer,IC Socket,Relay,Connector.Our parts cover such applications as commercial,industrial, and automotives areas.

We are looking forward to setting up business relationship with you and hope to provide you with the best service and solution. Let us make a better world for our industry!



## Contact us

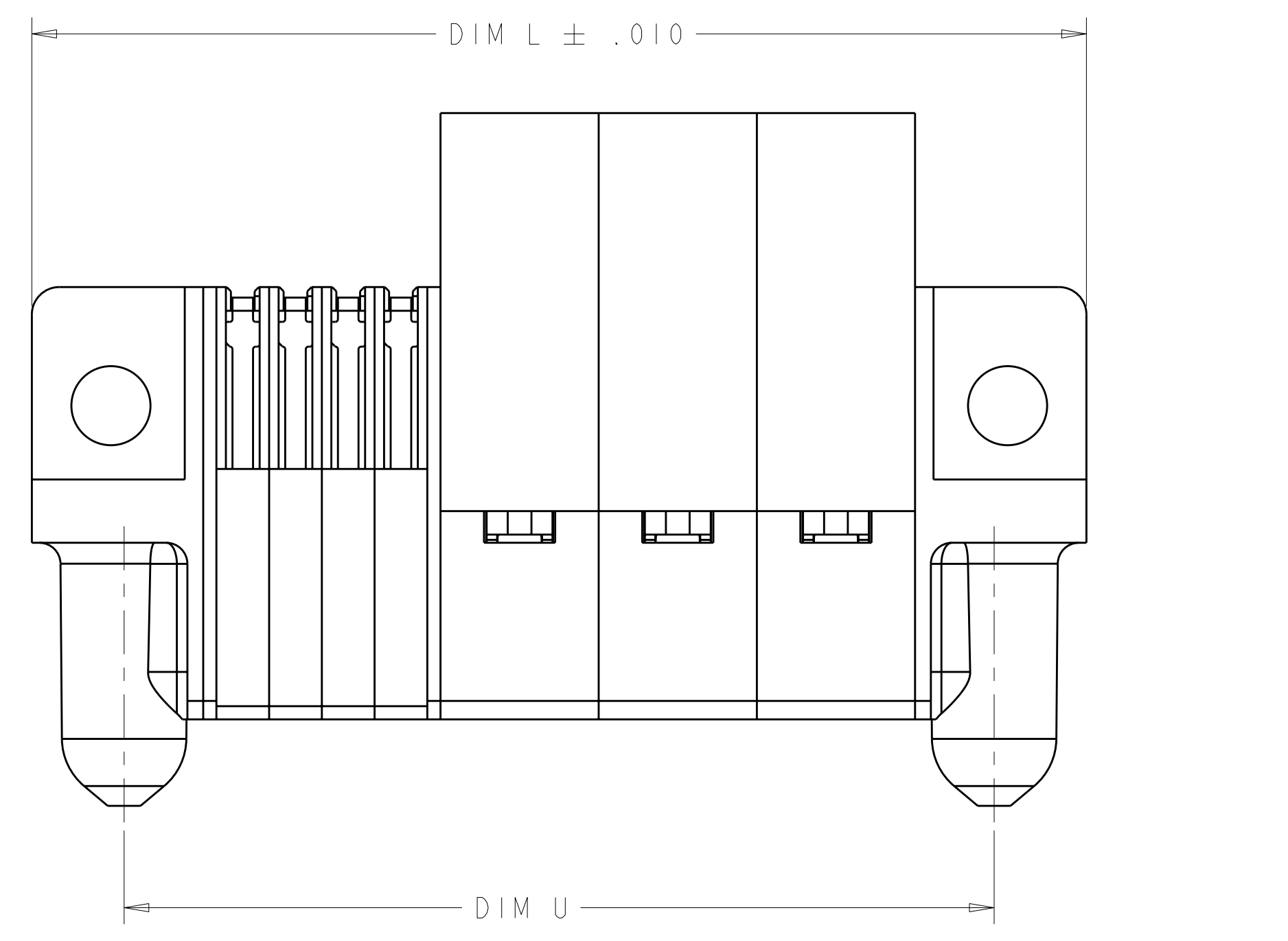
Tel: +86-755-8981 8866 Fax: +86-755-8427 6832

Email & Skype: info@chipsmall.com Web: www.chipsmall.com

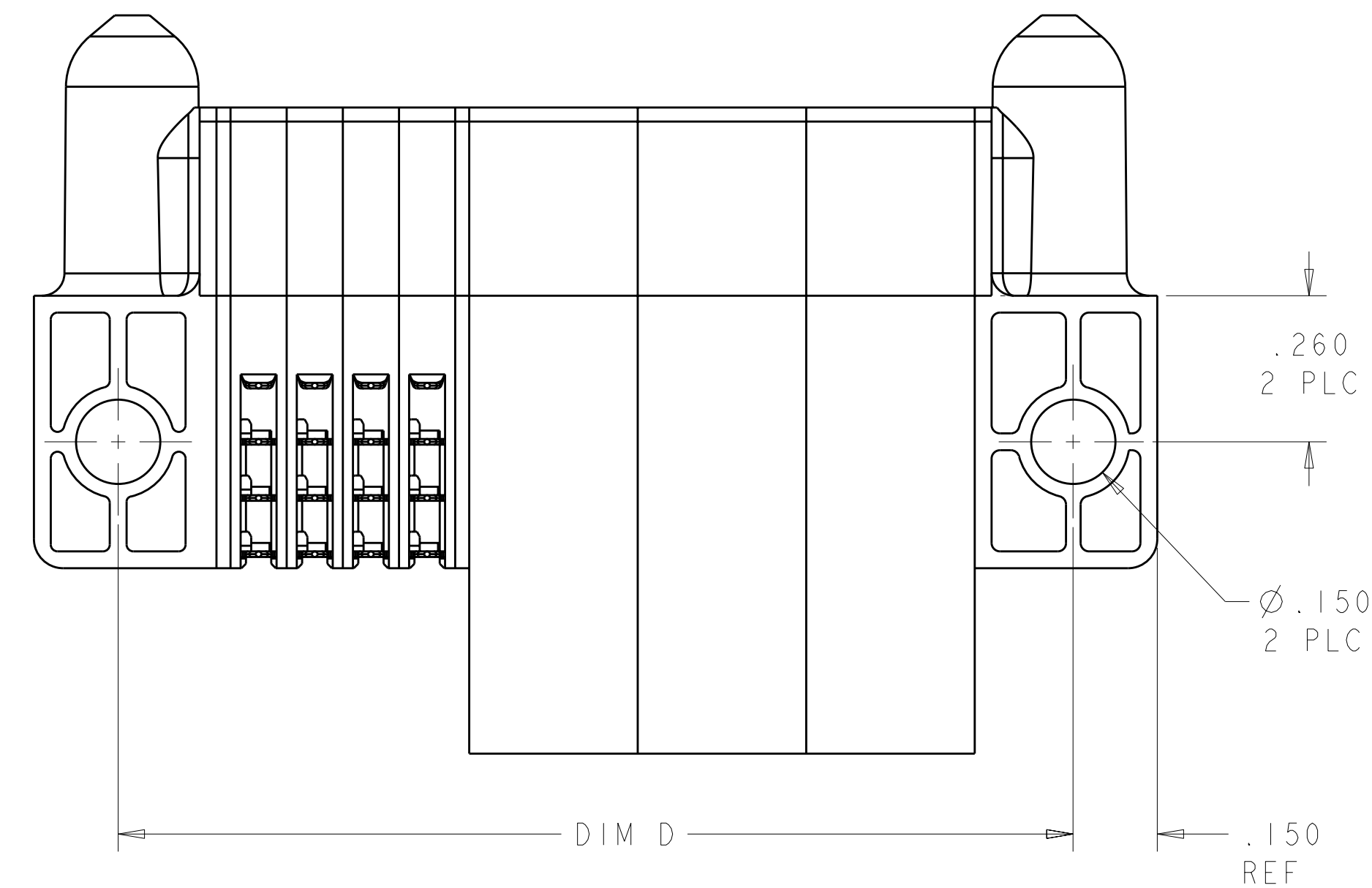
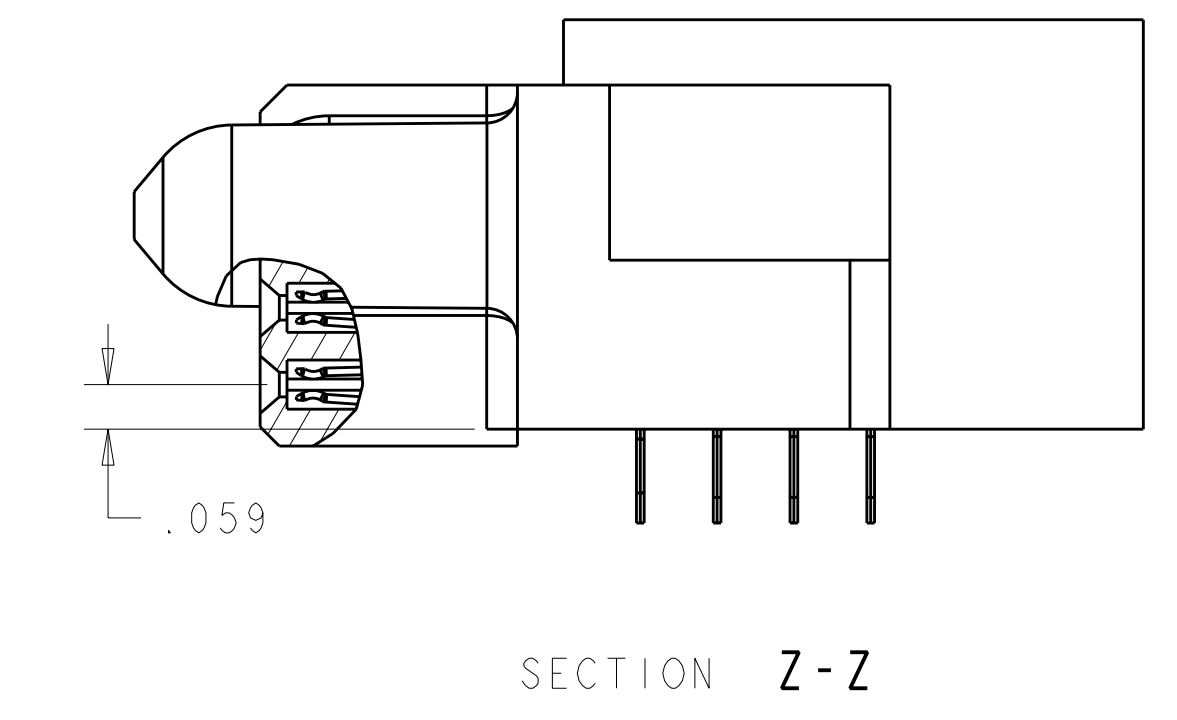
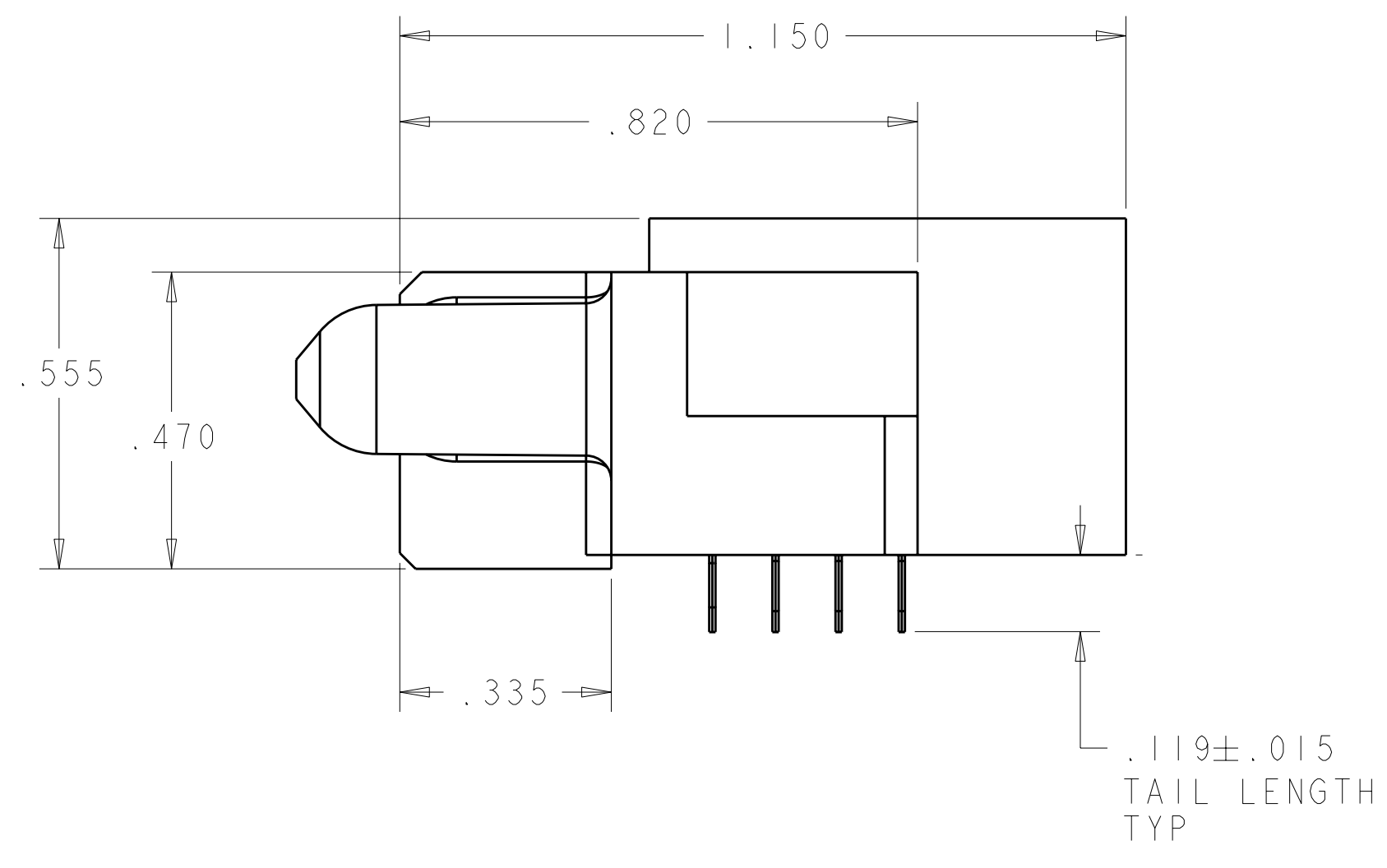
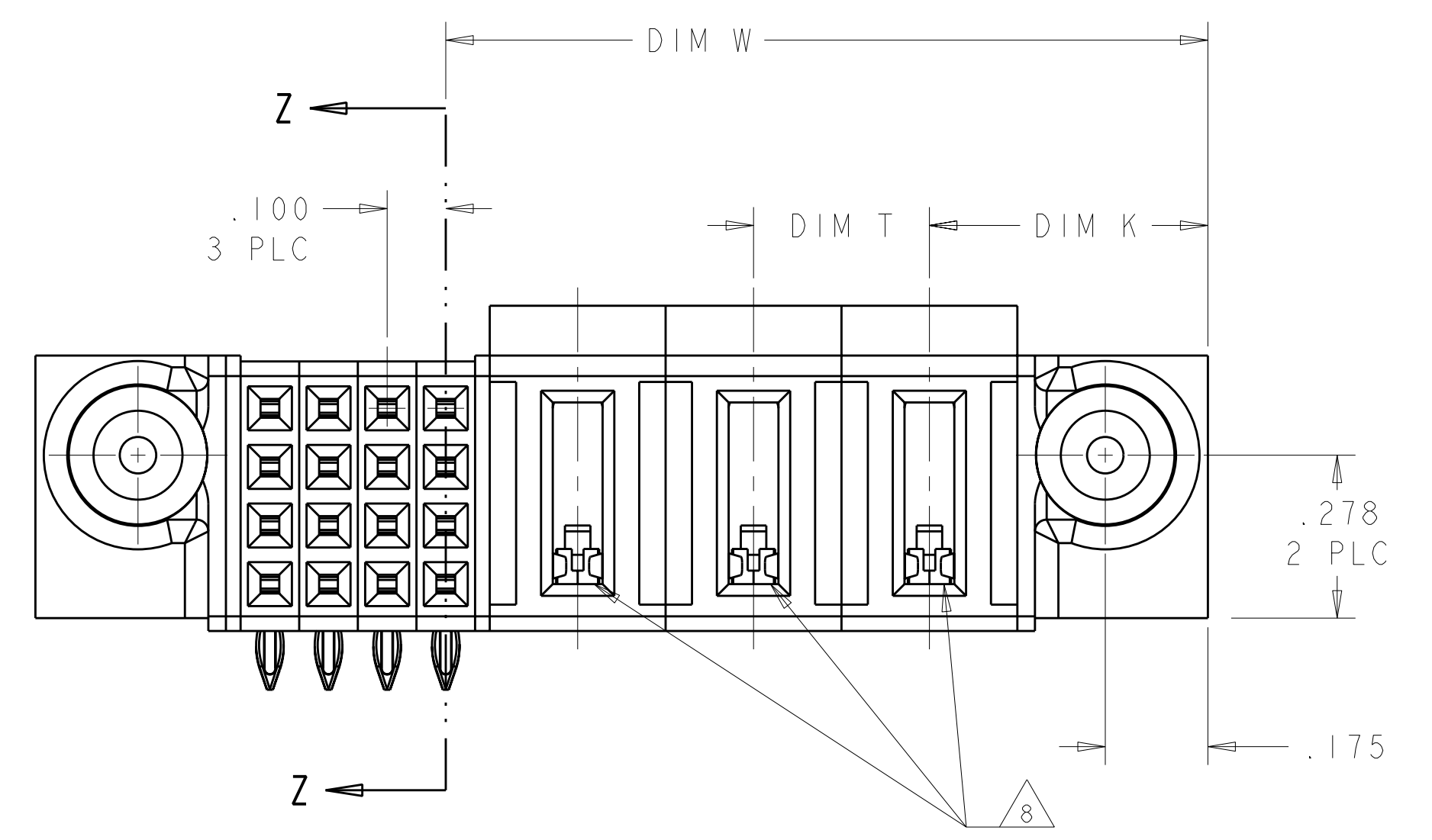
Address: A1208, Overseas Decoration Building, #122 Zhenhua RD., Futian, Shenzhen, China



LOC	DIST	REVISIONS					
ES	00	P	LT#	DESCRIPTION	DATE	DWN	APVD
		A		REV PER ECR-06-021202	6SEP2006	DZ	SY
		A2		REVISED	01APR2011	1L	SZ
		A3		REV PER ECR-11-007251	07APR2011	1L	SZ



- ① "AMP", PART NUMBER AND DATE CODE TO BE MARKED
- ② MATERIAL: HOUSING - GLASS FILLED HIGH TEMP THERMO PLASTIC, UL94 V-0.  
 SIGNAL CONTACT - HIGH CONDUCTIVITY COPPER ALLOY  
 POWER CONTACT - HIGH CONDUCTIVITY COPPER ALLOY
- ③ CONTACT PLATING: SIGNAL CONTACTS - .000050 MIN Ni UNDER ALL.  
 .000030 MIN Au ON CONTACT AREA. .000100 MIN Sn AT PCB INTERFACE.  
 POWER CONTACTS - .000050 MIN Ni UNDER ALL.  
 .000030 MIN Au ON CONTACT AREA. .000100 MIN Sn AT PCB INTERFACE.
- ④ MECHANICAL CONNECTOR KEEP OUT ZONE.
- ⑤ DATUM AND BASIC DIMENSIONS ESTABLISHED BY CUSTOMER.
- ⑥ PCB - ALL HOLE DIAMETERS ARE FINISHED HOLE SIZES
- ⑦ PCB - .0453±.0010 DRILLED HOLES PLATED WITH .0003 MIN Sn OVER .001 TO .003 Cu PLATING TO ACHIEVE A .040 DIAMETER HOLE
- ⑧ A/C POWER CABLE CONTACT LOADED IN THESE CAVITIES.
- ⑨ VARIABLE DIMENSIONS SHOW ON PAGE 2

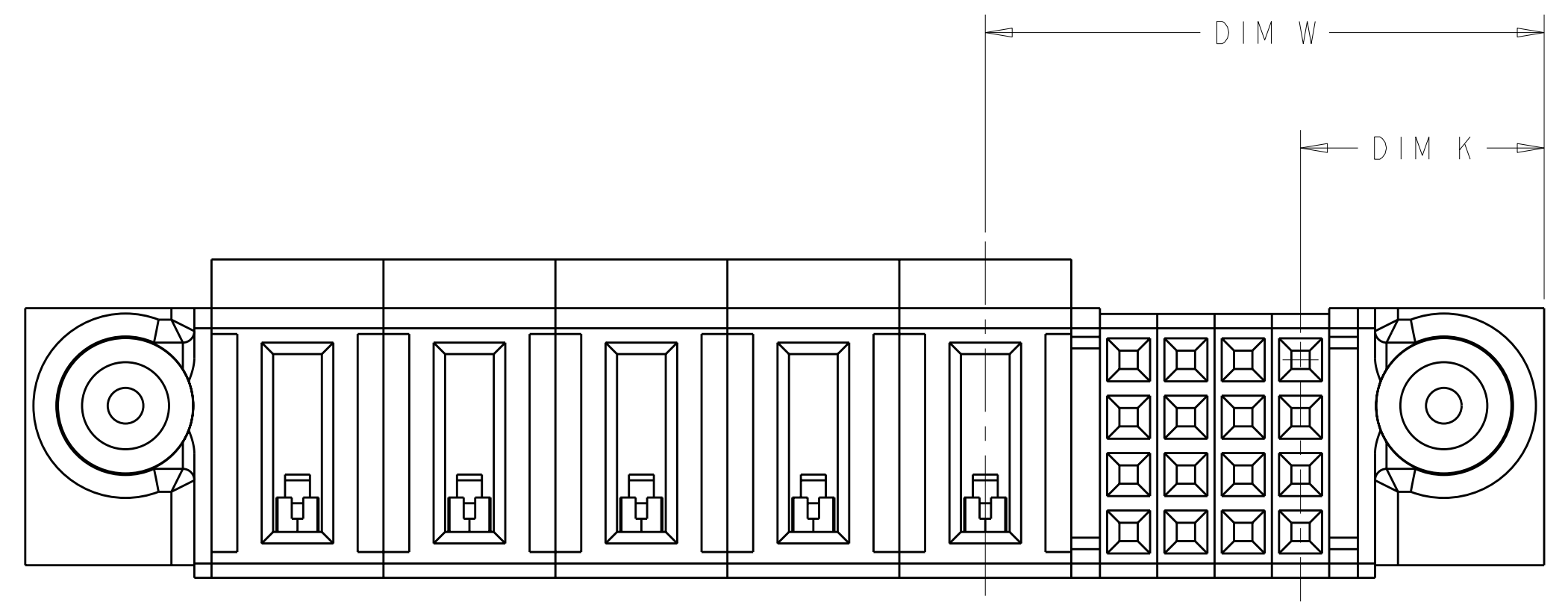


.300	2.350	.425 <sup>⑨</sup>	.925 <sup>⑨</sup>	2.300	2.650	16S + 5ACP	6450668-2
.300	1.700	.475	1.300	1.650	2.000	3ACP + 16S	6450668-1
DIM T	DIM D	DIM K	DIM W	DIM U	DIM L	DESCRIPTION	PART NUMBER

DIMENSIONS: INCHES TOLERANCES UNLESS OTHERWISE SPECIFIED: 9 PLC ±.01 8 PLC ±.01 5 PLC ±.005 4 PLC ±.0020 ANGLES ±.02°		DWN DENNY ZHU 6SEP2006 CHK S. ZHAO 6SEP2006 APVD S. YAO PRODUCT SPEC 108-1973 APPLICATION SPEC 114-13038 WEIGHT CUSTOMER DRAWING		Tyco Electronics Shanghai, P.R.China. 200233 NAME RIGHT ANGLE RECEPTACLE ASSEMBLY A/C PASS THRU W/GUIDES MULTI-BEAM XL SIZE CAGE CODE DRAWING NO. RESTRICTED TO A11 00779 C=6450668 SCALE 4:1 SHEET 1 OF 4 REV A3	
---	--	--	--	--	--

THIS DRAWING IS UNPUBLISHED. RELEASED FOR PUBLICATION 20  
 © COPYRIGHT 20 BY TYCO ELECTRONICS CORPORATION. ALL RIGHTS RESERVED.

LOC		DIST		REVISIONS			
ES	00	P	LTB	DESCRIPTION	DATE	DWN	APVD
		-	-	SEE SHEET 1	-	-	-

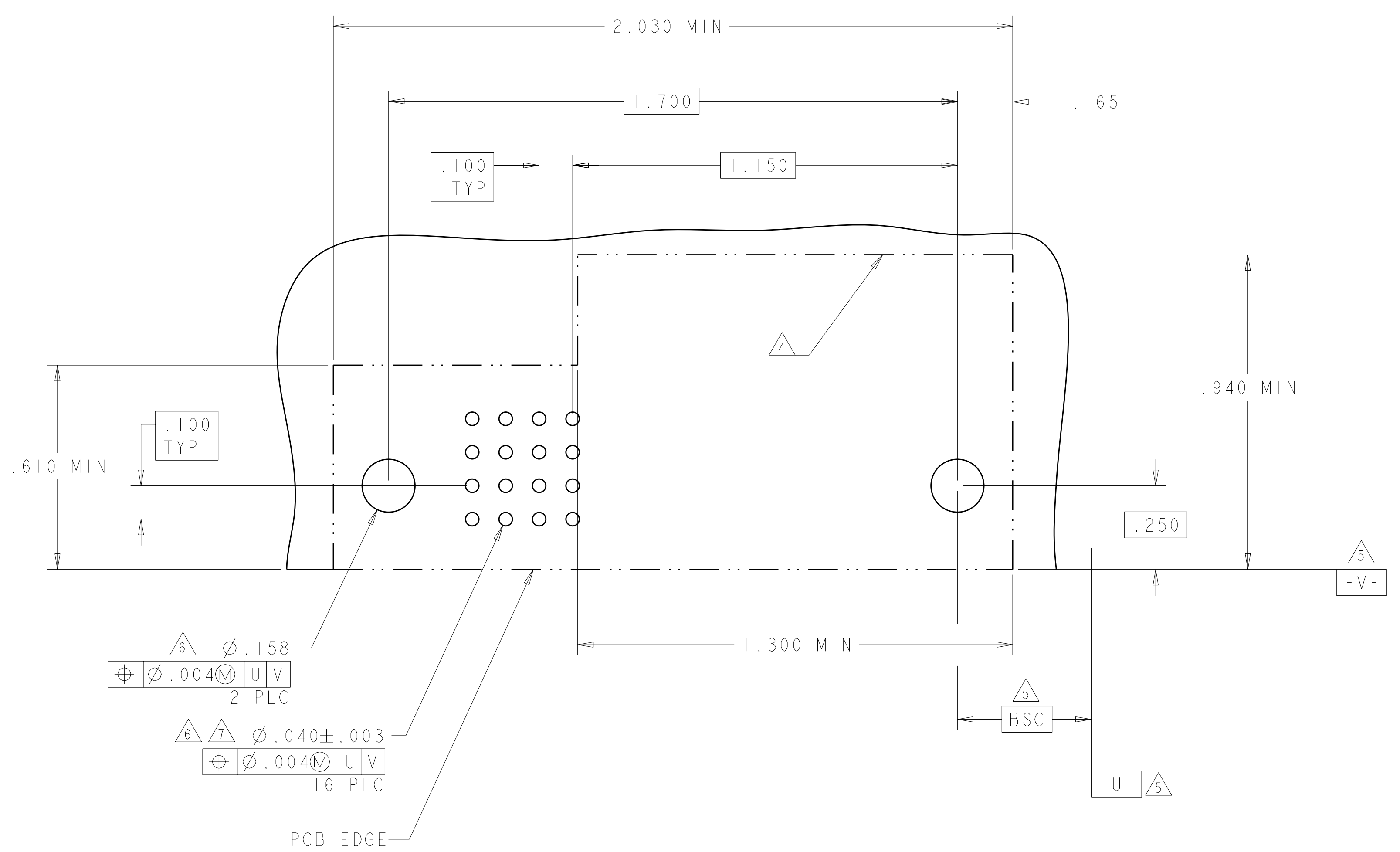
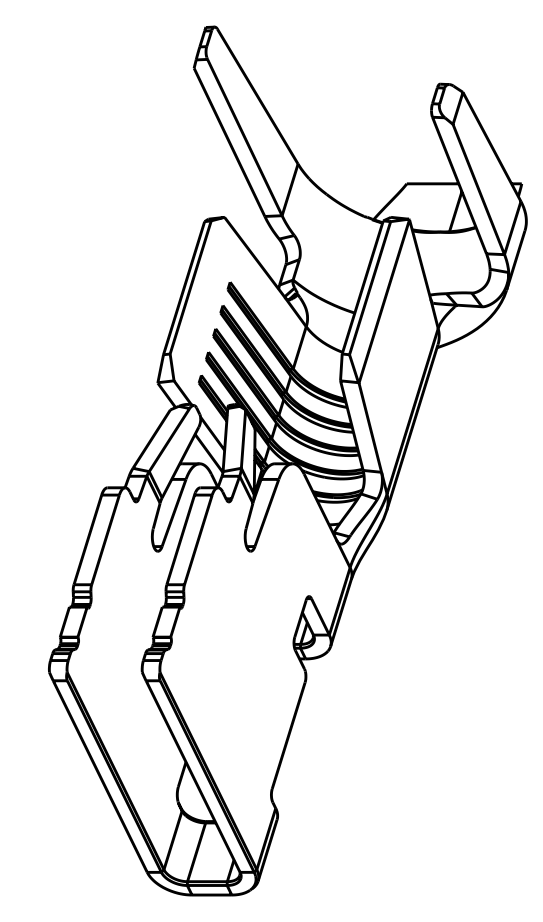


6450668-2

<small>THIS DRAWING IS UNPUBLISHED. RELEASED FOR PUBLICATION 20          © COPYRIGHT 20 BY TYCO ELECTRONICS CORPORATION. ALL RIGHTS RESERVED.</small>		DWN DENNY ZHU 6SEP2006 CHK S. ZHAO 6SEP2006 APVD S. YAO	Tyco Electronics Shanghai, P.R.China. 200233
DIMENSIONS: INCHES	TOLERANCES UNLESS OTHERWISE SPECIFIED: 9 PLC ±. 1 PLC ±. 2 PLC ±.01 3 PLC ±.01 4 PLC ±.005 5 PLC ±.0020 ANGLES ±2° FINISH	NAME RIGHT ANGLE RECEPTACLE ASSEMBLY A/C PASS THRU W/GUIDES MULTI-BEAM XL	SIZE CAGE CODE DRAWING NO A 00779 C-6450668
MATERIAL -	FINISH -	WEIGHT -	RESTRICTED TO -
CUSTOMER DRAWING		SCALE 4:1	SHEET 2 OF 4 REV A3

LOC	DIST	REV	DATE	BY	APPD
ES	00				
DESCRIPTION			DATE	BY	APPD
SEE SHEET 1					

PART NUMBER	ROWS	SIGNAL				POWER		
		4	3	2	1	P3	P2	P1
6450668-1	D	D	D	D	D	STD	STD	STD
	C	C	C	C				
	B	B	B	B				
	A	A	A	A				
3ACP + 16S								



6	7	8	9	10	11	12	13	14	15	16
⊕	⊕	⊕	⊕	⊕	⊕	⊕	⊕	⊕	⊕	⊕
φ.158		φ.040±.003		φ.004		φ.004		φ.004		φ.004
2 PLC		16 PLC		U		V		U		V

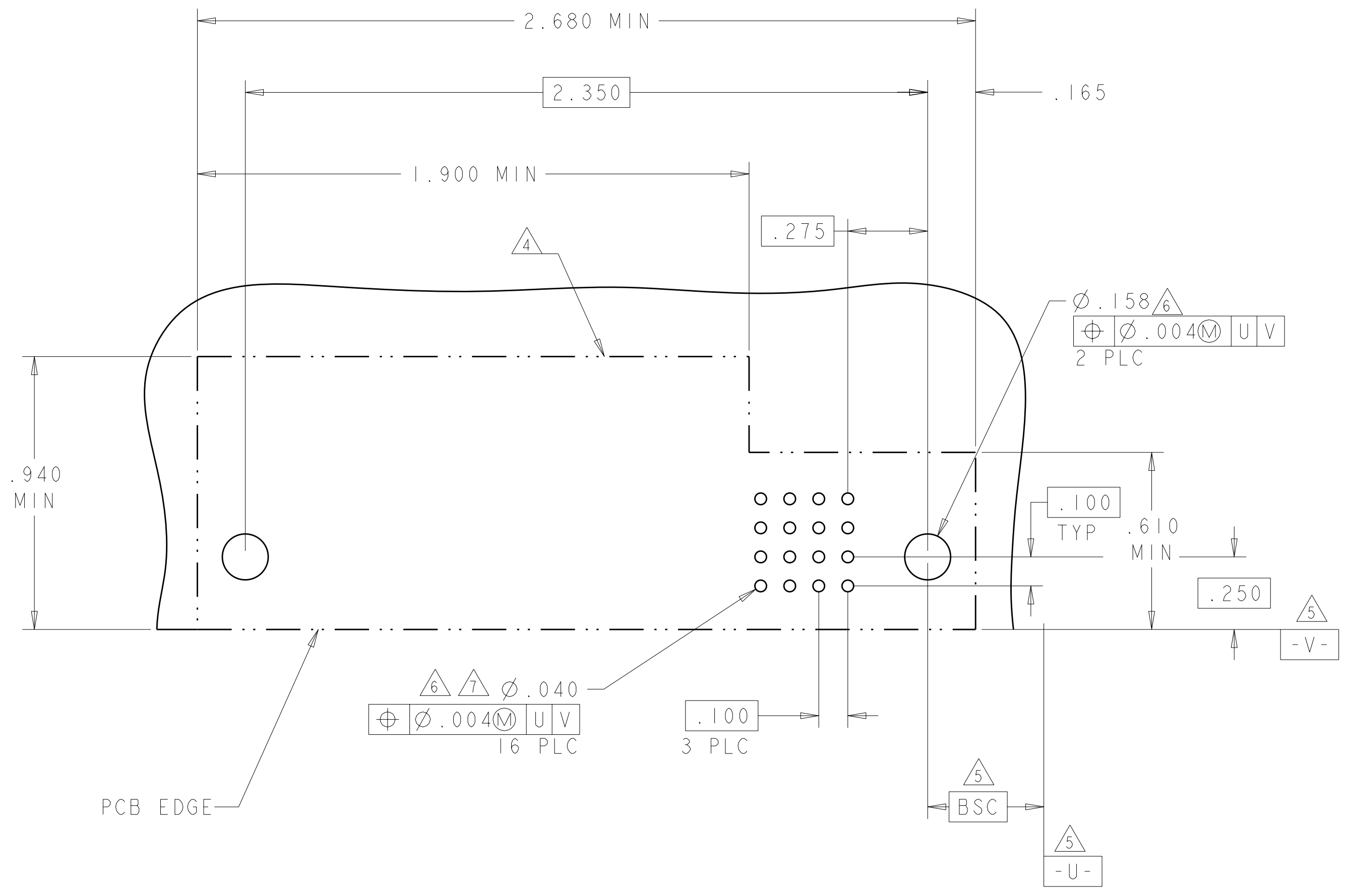
CODE	DESCRIPTION	ROW
D	SIGNAL CONTACT, PRESS-FIT	D
C	SIGNAL CONTACT, PRESS-FIT	C
B	SIGNAL CONTACT, PRESS-FIT	B
A	SIGNAL CONTACT, PRESS-FIT	A

<small>THIS DRAWING IS UNPUBLISHED. RELEASED FOR PUBLICATION. ALL RIGHTS RESERVED. THIS IS SUBJECT TO CHANGE WITHOUT NOTICE. THE USER SHALL BE RESPONSIBLE FOR VERIFYING THE DIMENSIONS AND TOLERANCES OF THE PARTS AND ASSEMBLY.</small>		DWN: DENNY ZHU 6SEP2006 CHK: S. ZHAO 6SEP2006 APVD: S. YAO	Tyco Electronics Shanghai, P.R.China. 200233
DIMENSIONS: INCHES 	TOLERANCES UNLESS OTHERWISE SPECIFIED: 9 PLC ±. 1 PLC ±.01 2 PLC ±.01 3 PLC ±.005 4 PLC ±.0020 ANGLES ±.2°	NAME: S. YAO PRODUCT SPEC: 108-1973 APPLICATION SPEC: 114-13038 WEIGHT: - CUSTOMER DRAWING	NAME: RIGHT ANGLE RECEPTACLE ASSEMBLY A/C PASS THRU W/GUIDES MULTI-BEAM XL SIZE: A11 CAGE CODE: 00779 DRAWING NO: 6450668 RESTRICTED TO: A3
MATERIAL: - FINISH: -		SCALE: 4:1 SHEET: 3 OF 4 REV: A3	

LOC	DIST	REVISIONS			
P	LTB	DESCRIPTION	DATE	DWN	APVD
ES	00	SEE SHEET 1	-	-	-

PART NUMBER	ROWS	POWER					SIGNAL			
		P5	P4	P3	P2	P1	4	3	2	1
6450668-2	D	STD	STD	STD	STD	STD	D	D	D	D
	C						C	C	C	
	B						B	B	B	
	A						A	A	A	

16S + 5ACP



<small>THIS DRAWING IS UNPUBLISHED. RELEASED FOR PUBLICATION 2006. ALL RIGHTS RESERVED. THIS IS SUBJECT TO CHANGE WITHOUT NOTICE. CONTACT YOUR REPRESENTATIVE OR TYCO ELECTRONICS CORPORATION FOR THE LATEST REVISION.</small>		DWN DENNY ZHU 6SEP2006 CHK S. ZHAO 6SEP2006 APVD S. YAO	Tyco Electronics Shanghai, P.R.China. 200233
DIMENSIONS: INCHES	TOLERANCES UNLESS OTHERWISE SPECIFIED: 9 PLC ±. 8 PLC ±.01 5 PLC ±.005 4 PLC ±.0020 ANGLES ±.0°	PRODUCT SPEC 108-1973 APPLICATION SPEC 114-13038 WEIGHT - CUSTOMER DRAWING	NAME RIGHT ANGLE RECEPTACLE ASSEMBLY A/C PASS THRU W/GUIDES MULTI-BEAM XL SIZE CAGE CODE DRAWING NO RESTRICTED TO A 00779 C-6450668 SCALE 4:1 SHEET 4 OF 4 REV A3