



Chipsmall Limited consists of a professional team with an average of over 10 year of expertise in the distribution of electronic components. Based in Hongkong, we have already established firm and mutual-benefit business relationships with customers from,Europe,America and south Asia,supplying obsolete and hard-to-find components to meet their specific needs.

With the principle of "Quality Parts,Customers Priority,Honest Operation,and Considerate Service",our business mainly focus on the distribution of electronic components. Line cards we deal with include Microchip,ALPS,ROHM,Xilinx,Pulse,ON,Everlight and Freescale. Main products comprise IC,Modules,Potentiometer,IC Socket,Relay,Connector.Our parts cover such applications as commercial,industrial, and automotives areas.

We are looking forward to setting up business relationship with you and hope to provide you with the best service and solution. Let us make a better world for our industry!



## Contact us

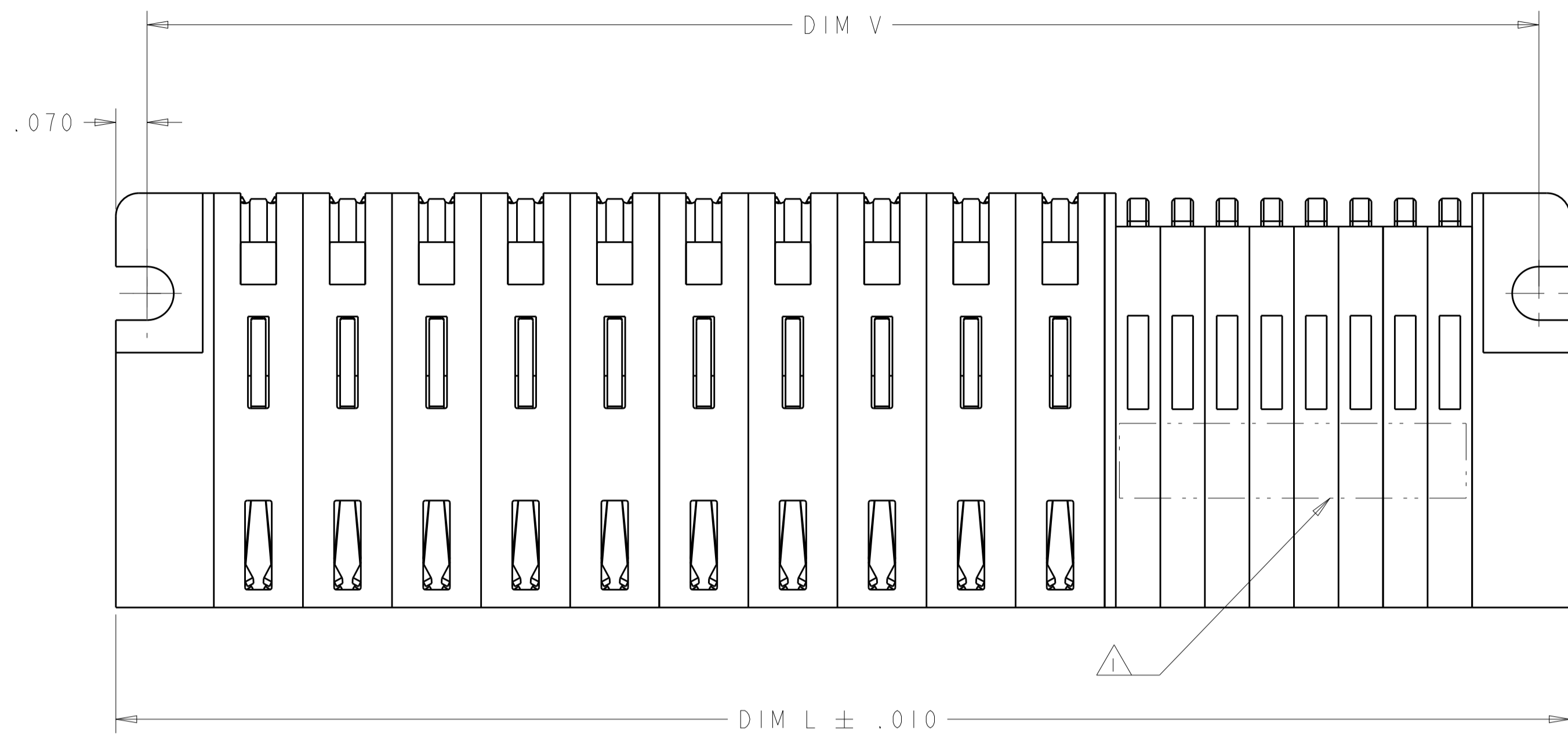
Tel: +86-755-8981 8866 Fax: +86-755-8427 6832

Email & Skype: info@chipsmall.com Web: www.chipsmall.com

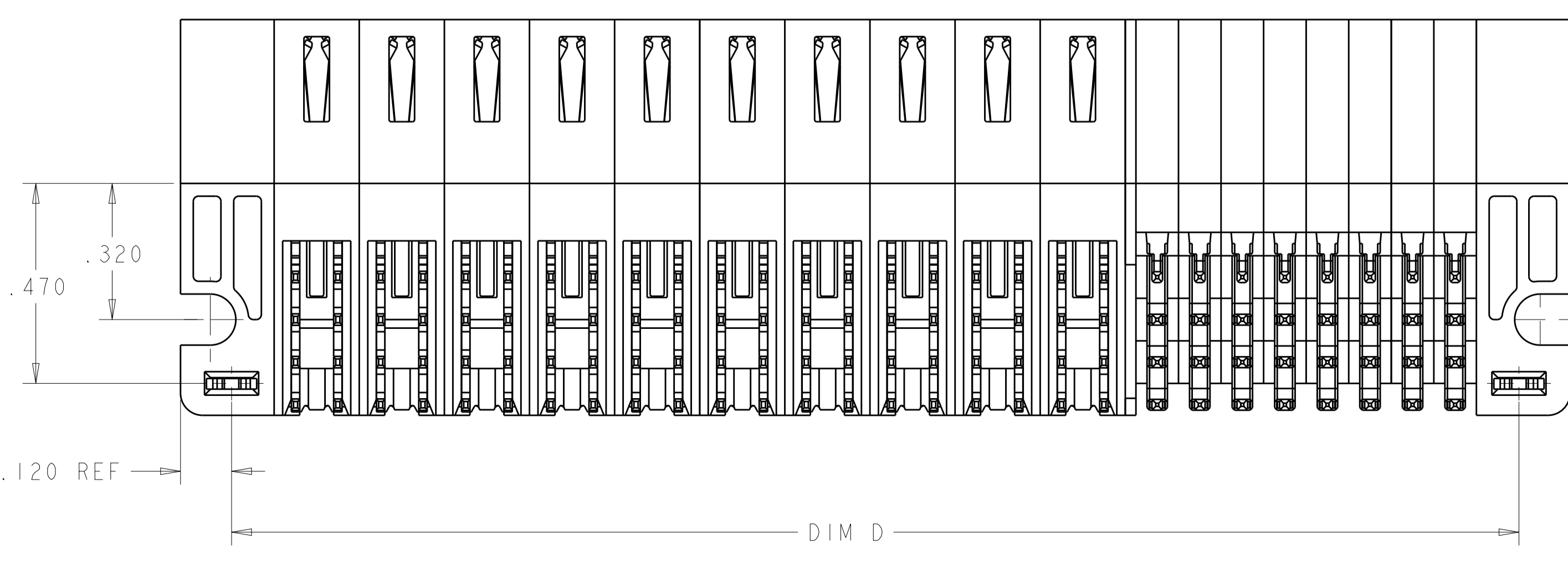
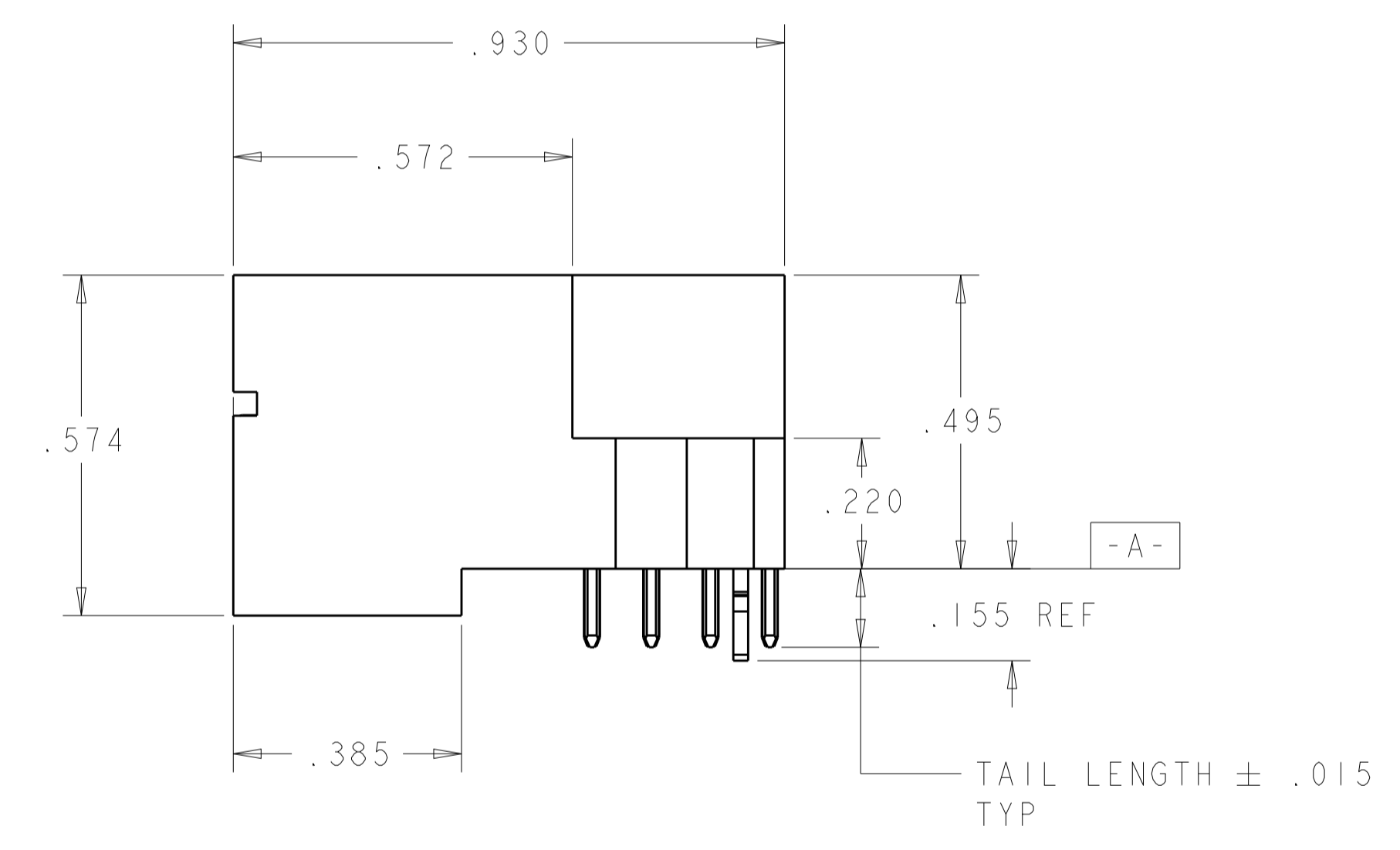
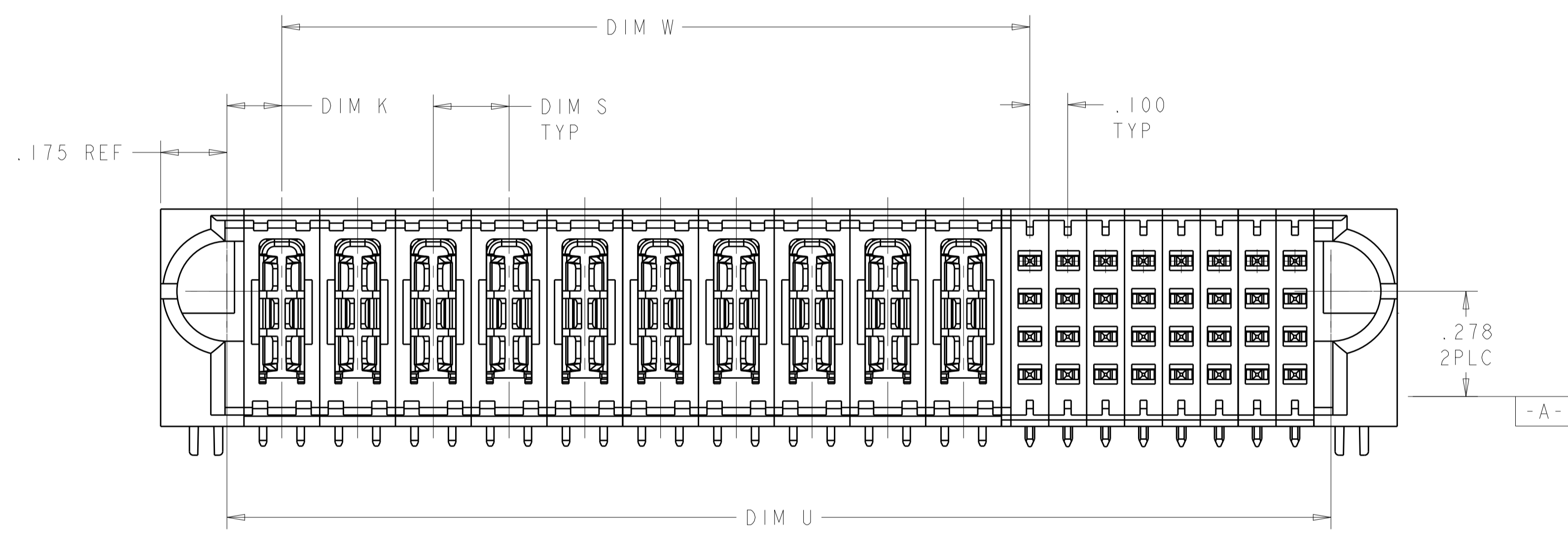
Address: A1208, Overseas Decoration Building, #122 Zhenhua RD., Futian, Shenzhen, China



LOC		DIST		REVISIONS			
ES	00	P	LTN	DESCRIPTION	DATE	DMN	APVD
		K4		REVISED 4-7 BY CUSTOMER	18MAY2015	CZ	SZ
		K5		REVISED 4-7 SIGNAL PINS BY CUSTOMER	09JUN2015	CZ	SZ
		K6		REV PER ECO-17-001490	12DEC2016	CZ	SZ



- 1 "AMP", PART NUMBER AND DATE CODE TO BE MARKED IN AREA SHOWN PARTS UNDER 2.00" LONG MAY BE MARKED ON BOTH SIDES
- 2 MATERIAL:  
HOUSING - GLASS FILLED HIGH TEMP THERMO PLASTIC, UL94 V-0  
SIGNAL CONTACT - COPPER ALLOY  
POWER CONTACT - HIGH CONDUCTIVITY COPPER ALLOY
- 3 CONTACT PLATING: NOBLE METAL PLATING ON CONTACT FUNCTIONAL AREA OF SIGNAL CONTACTS AND POWER CONTACTS.
- 4 MECHANICAL CONNECTOR KEEP OUT ZONE
- 5 DATUM AND BASIC DIMENSIONS ESTABLISHED BY CUSTOMER
- 6 PCB - ALL HOLE DIAMETERS ARE FINISHED HOLE SIZES
- 7 PCB - 0.0453 ± .0010 DRILLED HOLES PLATED WITH .0003 MIN Sn OVER .001 TO .003 Cu PLATING TO ACHIEVE A .040 ± .030 HOLE
- 8 FOR CONFIGURATION "L/P", "P/LP/S", PLEASE REFER TO SHEET 3.
- 9 VARIABLE DIMENSIONS PLEASE SEE PART TABLE.



THIS DRAWING IS A CONTROLLED DOCUMENT. DWN H.LIU 27MAY2008  
 CHK S.ZHAO 27MAY2008

TE Connectivity

R/A HEADER WITH SHORT GUIDES AND LP CONTACTS ASSEMBLY MULTI-BEAM XLE

108-2292  
 APPLICATION SPEC

114-13251  
 WEIGHT

100779  
 C=6450832

CUSTOMER DRAWING SCALE 2:1 SHEET 1 OF 24 REV K6

THIS DRAWING IS UNPUBLISHED. RELEASED FOR PUBLICATION 20  
 © COPYRIGHT 20 BY TE CONNECTIVITY ALL RIGHTS RESERVED.

LOC		DIST		REVISIONS			
P	LTN	DESCRIPTION		DATE	DMN	APVD	
-	-	SEE SHEET 1		-	-	-	

△9	4.640	4.500	4.290	4.400	2.550	.145	5P + 2HDP + 4P + 64S	5-6450832-9
△9	5.290	5.150	4.940	5.050	4.050	.195	15P + 28S	4-6450832-7
.200	2.965	2.825	2.615	2.725	1.975	.145	10HDP + 20S	4-6450832-6
△9	2.090	1.950	1.740	1.850	1.000	.145	5HDP + 24S	4-6450832-5
.200	1.990	1.850	1.640	1.750	.975	.170	5HDP + 20S	4-6450832-4
△9	3.790	3.650	3.440	3.550	2.625	.170	12P + 24S	4-6450832-3
.250	3.240	3.100	2.890	3.000	1.925	.170	8P + 32S	4-6450832-2
.250	3.240	3.100	2.890	3.000	1.925	.170	8P + 32S	4-6450832-1
.350	1.565	1.325	1.215	1.425	.975	.145	3P + 4S	4-6450832-0
.250	3.040	2.900	2.690	2.800	1.925	.170	8HDP + 24S	3-6450832-9
△9	2.965	2.825	2.615	2.725	1.825	.195	3ACP + 4P + 24S	3-6450832-8
△9	5.290	5.150	4.940	5.050	4.050	.195	15P + 28S	3-6450832-6
.200	1.990	1.850	1.640	1.750	.975	.170	5HDP + 20S	3-6450832-5
.250	3.090	2.950	2.740	2.850	1.950	.170	8P + 24S	3-6450832-4
△9	4.640	4.500	4.290	4.400	2.550	.145	5P + 2HDP + 4P + 64S	3-6450832-3
.200	3.265	3.125	2.915	3.025	2.175	.145	11HDP + 24S	3-6450832-2
.115 △8	.945	.805	.595	.705	.2725 △8	.1025 △8	2LP + 8S	3-6450832-1
.375	2.240	2.100	1.890	2.000	1.500	.170	4ACP + 8S	3-6450832-0
.200	3.265	3.125	2.915	3.025	2.175	.145	11HDP + 24S	2-6450832-8
.200	3.065	2.925	2.715	2.825	1.975	.145	10HDP + 24S	2-6450832-7
.200	2.240	2.100	1.890	2.000	1.150	.145	6HDP + 24S	2-6450832-6
△8	2.420	2.280	2.070	2.180	1.330	.145	5P + 2LP + 24S	2-6450832-5
△8	3.065	2.925	2.715	2.825	1.525	.195	4P + 40S	2-6450832-4
△8	4.015	3.875	3.665	3.775	3.075	.195	3ACP + 9P + 16S	2-6450832-3
.250	2.415	2.275	2.065	2.175	1.425	.145	6P + 20S	2-6450832-2
△8	2.420	2.280	2.070	2.180	1.330	.145	5P + 2LP + 24S	2-6450832-0
.250	3.790	3.650	3.440	3.550	2.675	.170	11P + 24S	1-6450832-9
△8	3.740	3.600	3.390	3.500	2.625	.170	3ACP + 8P + 24S	1-6450832-7
△8	3.790	3.650	3.440	3.550	2.700	.145	13P + 24S	1-6450832-6
.250	1.490	1.350	1.140	1.250	.675	.170	3P + 12S	1-6450832-4
.250	1.565	1.425	1.215	1.325	.425	.170	2P + 24S	1-6450832-2
.250	3.790	3.650	3.440	3.550	2.900	.145	12P + 16S	1-6450832-0
△8	1.590	1.450	1.240	1.350	.650	.170	2P + 8S	6450832-9
.115 △8	.970	.830	.620	.730	.2725 △8	.1275 △8	2LP + 8S	6450832-8
△8	3.740	3.600	3.390	3.500	2.625	.170	3ACP + 8P + 24S	6450832-7
.200	3.065	2.925	2.715	2.825	1.975	.145	10HDP + 24S	6450832-5
.200	3.065	2.925	2.715	2.825	1.975	.145	10HDP + 24S	6450832-4
.250	2.565	2.425	2.215	2.325	1.425	.170	6P + 24S	6450832-3
△8	2.575	2.435	2.225	2.335	1.460 △8	.170 △8	4P + 4LP + 24S	6450832-2
.200	3.265	3.125	2.915	3.025	1.975	.145	10HDP + 32S	6450832-1
DIM S	DIM L	DIM V	DIM U	DIM D	DIM W	DIM K	DESCRIPTION	PART NUMBER

Ⓜ VIEW IN SHEET 6

THIS DRAWING IS A CONTROLLED DOCUMENT. DWN 27MAY2008  
 CHK H.LIU  
 S.ZHAO 27MAY2008

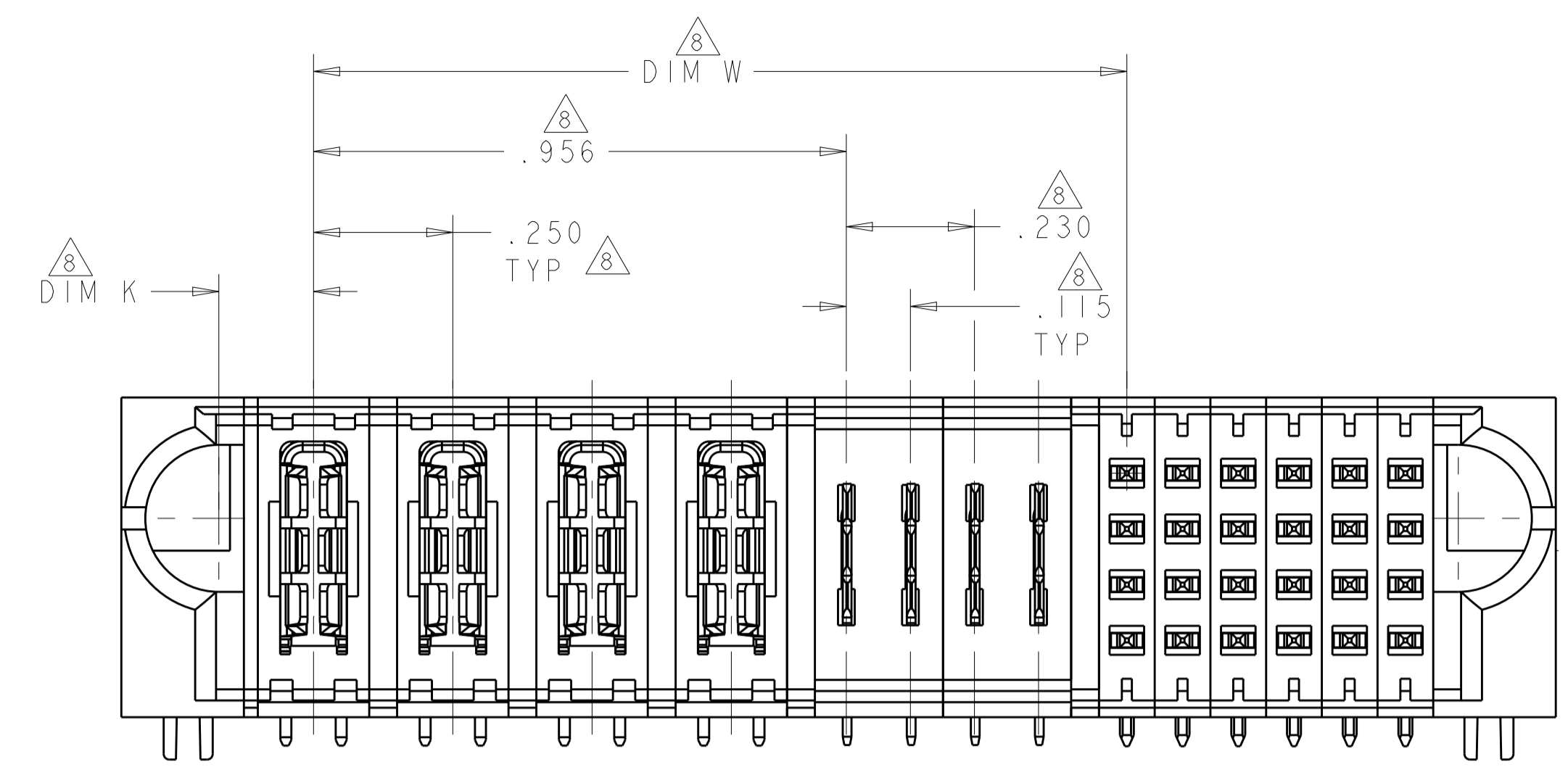
DIMENSIONS: INCHES TOLERANCES UNLESS OTHERWISE SPECIFIED:  
 0 PLC ±.  
 1 PLC ±.01  
 2 PLC ±.01  
 3 PLC ±.005  
 4 PLC ±.002  
 ANGLES ±.0020

MATERIAL FINISH

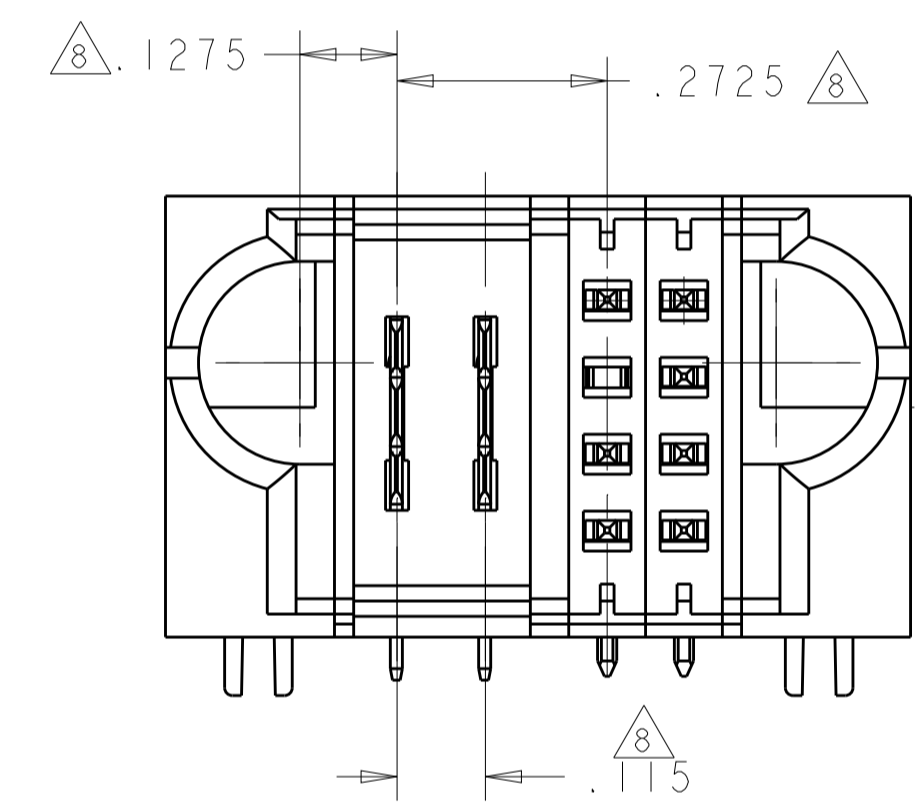
APVD S. ZHAO NAME R/A HEADER WITH SHORT GUIDES AND LP CONTACTS ASSEMBLY MULTI-BEAM XLE  
 PRODUCT SPEC 108-2292  
 APPLICATION SPEC 114-13251  
 SIZE CAGE CODE DRAWING NO. 100779  
 WEIGHT CUSTOMER DRAWING SCALE 4:1 SHEET 2 OF 24 REV K6

TE Connectivity

LOC		DIST		REVISIONS			
P	LTN	DESCRIPTION	DATE	DMN	APVD		
-		SEE SHEET 1	-	-	-		



FOR P/N:6450832-2, OTHER DIMENSIONS PLEASE SEE TABLE

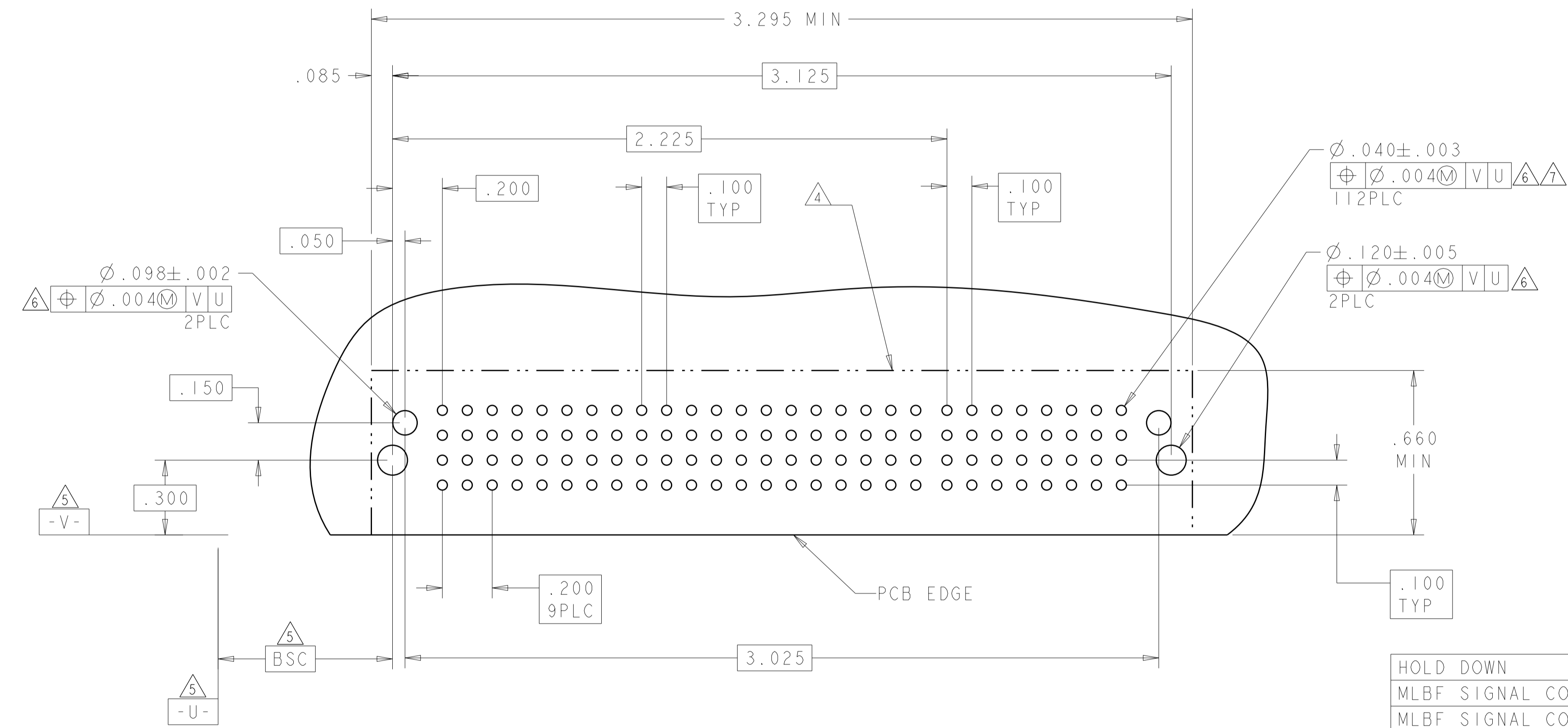


FOR P/N:6450832-8 AND 3-6450832-1, OTHER DIMENSIONS PLEASE SEE SHEET 1

THIS DRAWING IS A CONTROLLED DOCUMENT.		DMN H. LIU 27MAY2008	
		CHK S. ZHAO 27MAY2008	
DIMENSIONS:	TOLERANCES UNLESS OTHERWISE SPECIFIED:	APVD S. ZHAO	NAME R/A HEADER WITH SHORT GUIDES AND LP CONTACTS ASSEMBLY MULTI-BEAM XLE
INCHES	0 PLC ±. 2 PLC ±.01 3 PLC ±.005 4 PLC ±.0020	PRODUCT SPEC 108-2292	SIZE A100779C=6450832
	ANGLES M7°	APPLICATION SPEC 114-13251	RESTRICTED TO
MATERIAL	FINISH	WEIGHT	SCALE 4:1 SHEET 3 OF 24 REV K6
CUSTOMER DRAWING			

LOC		DIST		REVISIONS			
P	LTN	DESCRIPTION	DATE	OWN	APVD		
-	-	SEE SHEET 1	-	-	-	-	-

PART NUMBER	ROWS	POWER										SIGNAL							
		P1	P2	P3	P4	P5	P6	P7	P8	P9	P10	1	2	3	4	5	6	7	8
6450832-1	D C B A	TM	TM	TM	TM	TM	TM	TM	TM	TM	TM	J	J	J	J	J	J	J	J
		TM	TM	TM	TM	TM	TM	TM	TM	TM	TM	K	K	K	K	K	K	K	K
		TM	TM	TM	TM	TM	TM	TM	TM	TM	TM	N	N	N	N	N	G	N	N
10HDP + 32S											S	S	S	S	S	S	S	S	



DESCRIPTION	IDENTIFIER
HOLD DOWN	HD
MLBF SIGNAL CONTACT, .135 TAIL LENGTH, ROW D	E
MLBF SIGNAL CONTACT, .135 TAIL LENGTH, ROW C	F
MLBF SIGNAL CONTACT, .135 TAIL LENGTH, ROW B	G
MLBF SIGNAL CONTACT, .135 TAIL LENGTH, ROW A	H
MFBL SIGNAL CONTACT, .135 TAIL LENGTH, ROW D	FJ
MFBL SIGNAL CONTACT, .135 TAIL LENGTH, ROW C	FK
MFBL SIGNAL CONTACT, .135 TAIL LENGTH, ROW B	FN
MFBL SIGNAL CONTACT, .135 TAIL LENGTH, ROW A	FS
STANDARD SIGNAL CONTACT, .135 TAIL LENGTH, ROW D	J
STANDARD SIGNAL CONTACT, .135 TAIL LENGTH, ROW C	K
STANDARD SIGNAL CONTACT, .135 TAIL LENGTH, ROW B	N
STANDARD SIGNAL CONTACT, .135 TAIL LENGTH, ROW A	S
MFBL LOWER POWER CONTACT, .135 TAIL LENGTH.	LMF
STD LOWER POWER CONTACT, .135 TAIL LENGTH	LM
3-BEAM POWER CONTACT, .135 TAIL LENGTH	TM

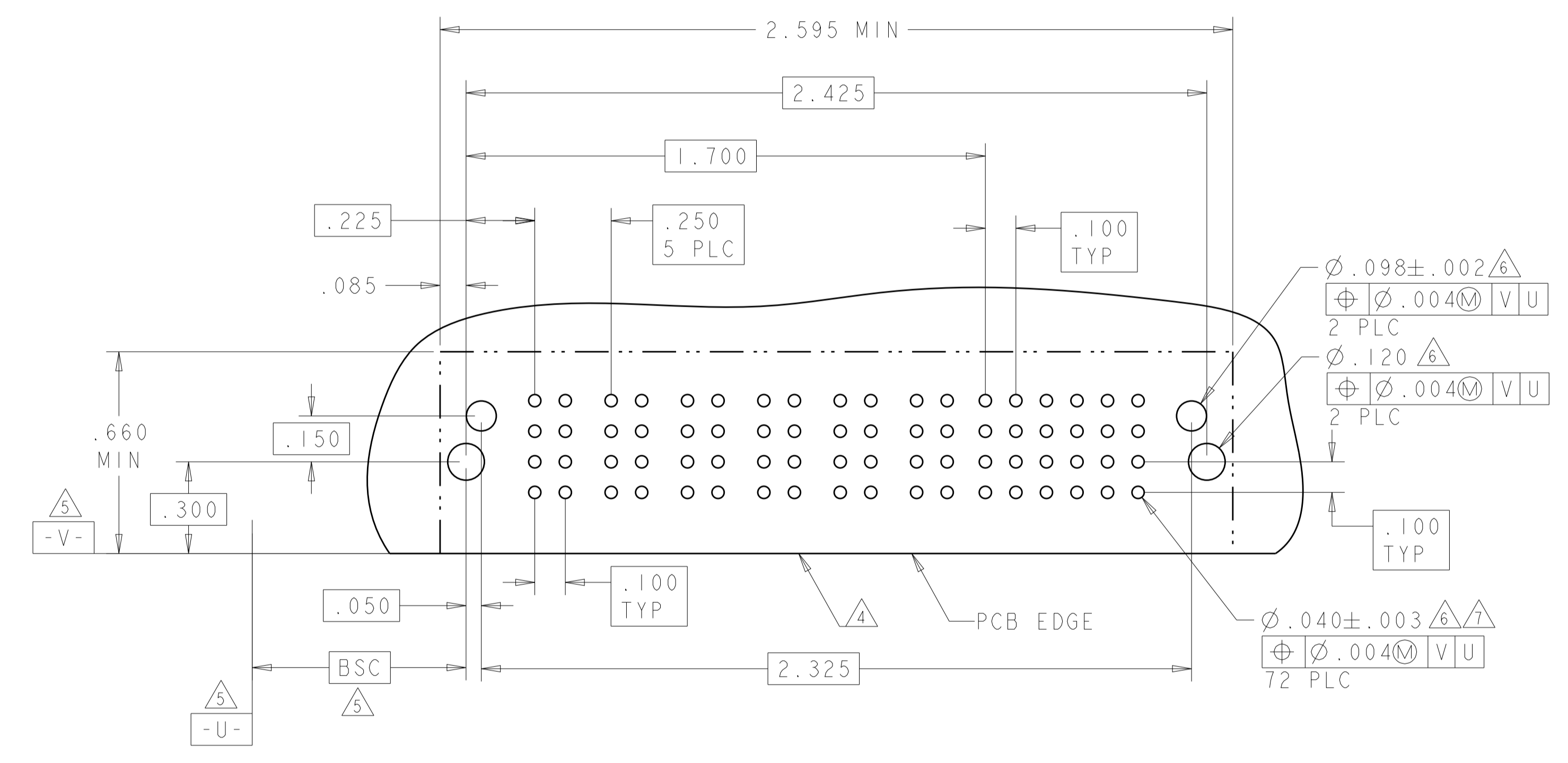
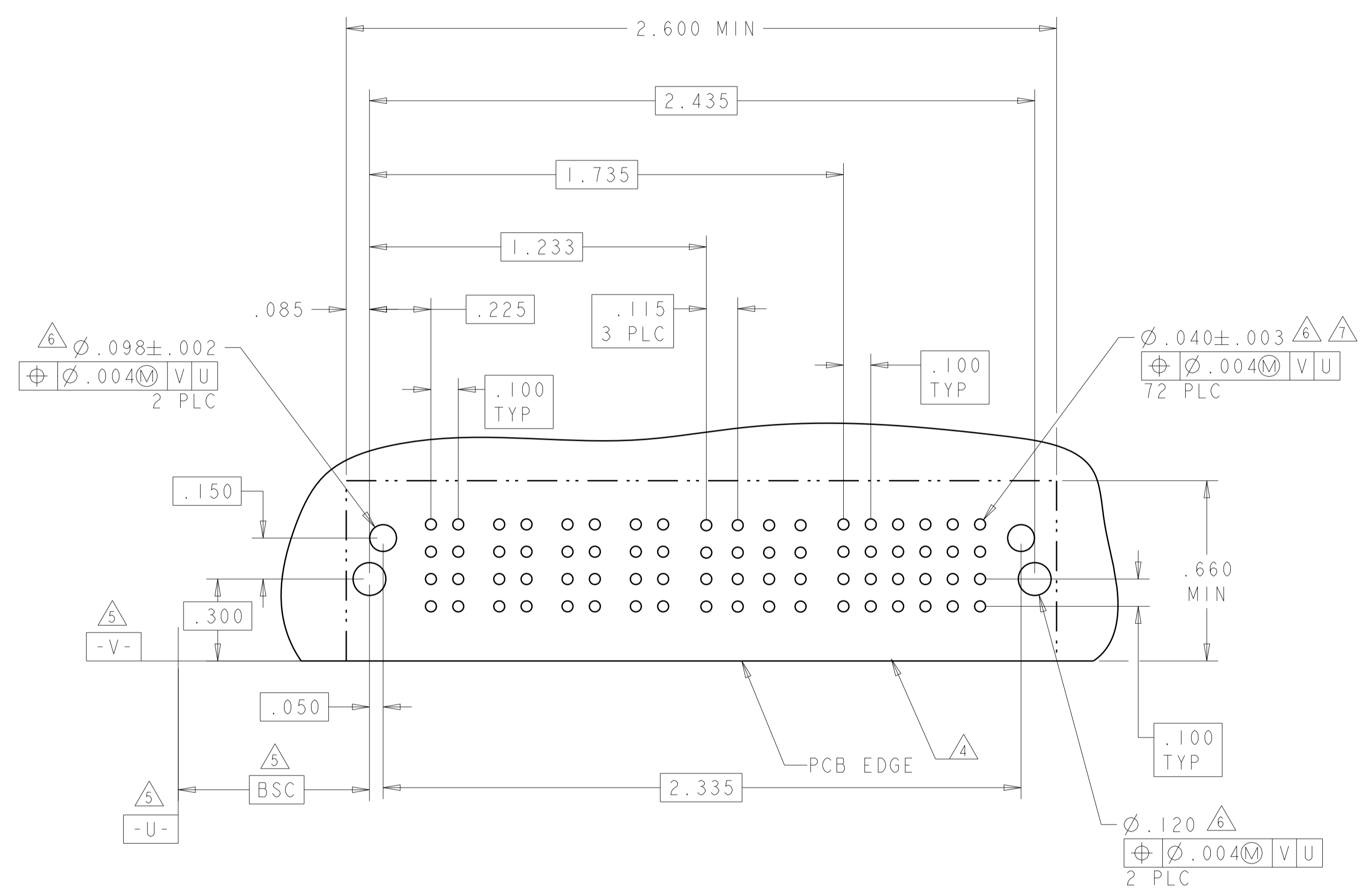
THIS DRAWING IS A CONTROLLED DOCUMENT.

DIMENSIONS: INCHES	TOLERANCES UNLESS OTHERWISE SPECIFIED: 0 PLC ±. 2 PLC ±.01 3 PLC ±.005 4 PLC ±.0020 ANGLES ±.0°	OWN: H. LIU CHK: S. ZHAO APVD: S. ZHAO	DATE: 27MAY2008	TE Connectivity NAME: R/A HEADER WITH SHORT GUIDES AND LP CONTACTS ASSEMBLY PRODUCT SPEC: 108-2292 APPLICATION SPEC: 114-13251 SIZE: A100779 CAGE CODE: 6450832 DRAWING NO: 6450832	RESTRICTED TO	
MATERIAL	FINISH	WEIGHT	CUSTOMER DRAWING		SCALE: 4:1	SHEET 4 OF 24

LOC	DIST	REVISIONS			
P	LTM	DESCRIPTION	DATE	DMN	APVD
-	-	SEE SHEET 1	-	-	-

PART NUMBER	ROWS	POWER								SIGNAL									
		P1	P2	P3	P4	P5	P6	P7	P8	1	2	3	4	5	6				
6450832-2	D	TM	TM	TM	TM	LM	LM	LM	LM	J	J	J	J	J	J				
	C	TM	TM	TM	TM	LM	LM	LM	LM	K	K	K	K	K	K				
	B	TM	TM	TM	TM	LM	LM	LM	LM	N	N	N	N	N	N				
	A	TM	TM	TM	TM	LM	LM	LM	LM	S	S	S	S	S	S				
4P + 4LP + 24S		HD																HD	

PART NUMBER	ROWS	POWER						SIGNAL											
		P1	P2	P3	P4	P5	P6	1	2	3	4	5	6						
6450832-3	D	TM	TM	TM	TM	TM	TM	J	J	J	J	J	J						
	C	TM	TM	TM	TM	TM	TM	K	K	K	K	K	K						
	B	TM	TM	TM	TM	TM	TM	N	N	N	N	N	N						
	A	TM	TM	TM	TM	TM	TM	S	S	S	S	S	S						
6P + 24S		HD																HD	



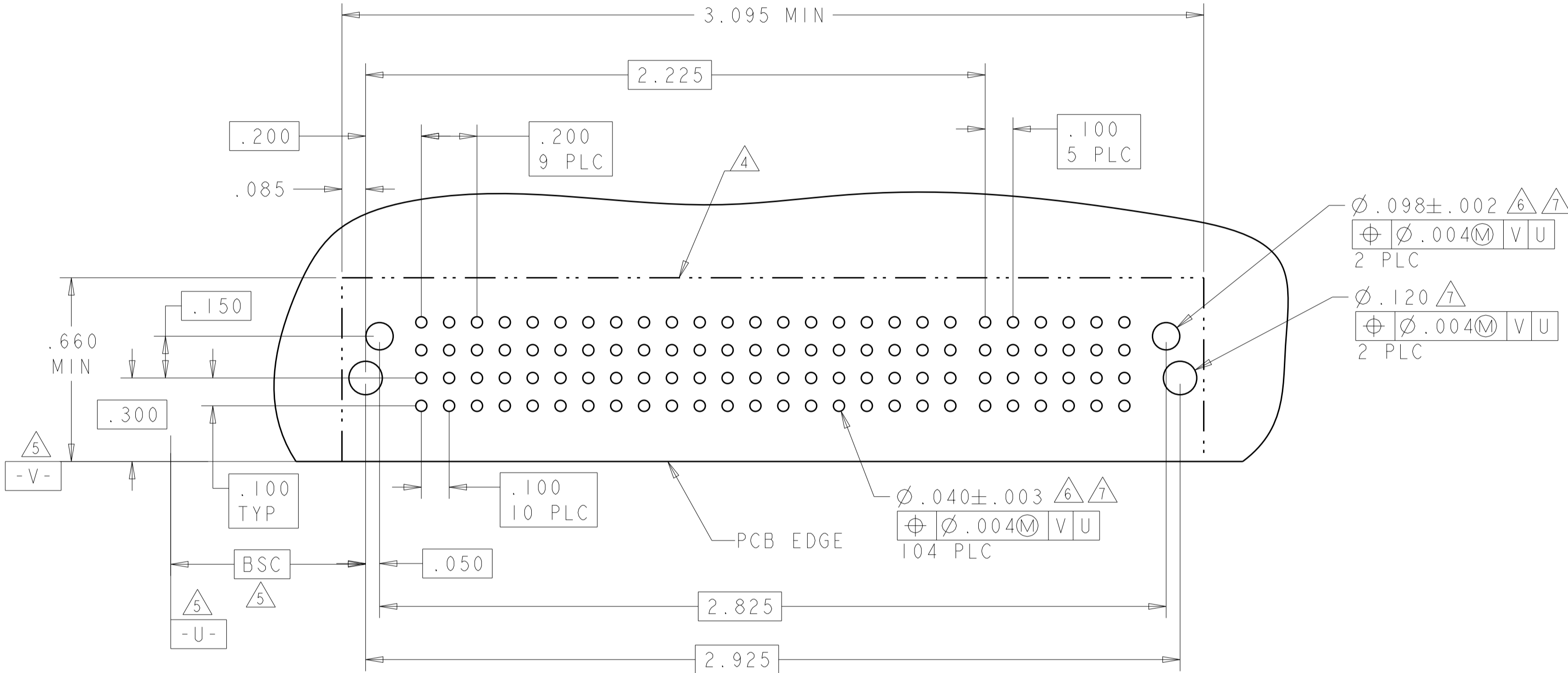
THIS DRAWING IS A CONTROLLED DOCUMENT.		DMN: H.LIU 27MAY2008	 TE Connectivity
DIMENSIONS: INCHES		CHK: S.ZHAO 27MAY2008	
TOLERANCES UNLESS OTHERWISE SPECIFIED:		APVD: S.ZHAO	NAME: R/A HEADER WITH SHORT GUIDES AND LP CONTACTS ASSEMBLY MULTI-BEAM XLE
0 PLC ±.01		PRODUCT SPEC: 108-2292	SIZE: A1
1 PLC ±.01		APPLICATION SPEC: 114-13251	CAGE CODE: C=6450832
2 PLC ±.01		WEIGHT: -	RESTRICTED TO: -
3 PLC ±.005		CUSTOMER DRAWING	SCALE: 4:1
4 PLC ±.0020			SHEET: 5 OF 24
ANGLES: ±2°			REV: K6

LOC	DIST	REVISIONS			
P	LTM	DESCRIPTION	DATE	DMN	APVD
-	-	SEE SHEET 1	-	-	-

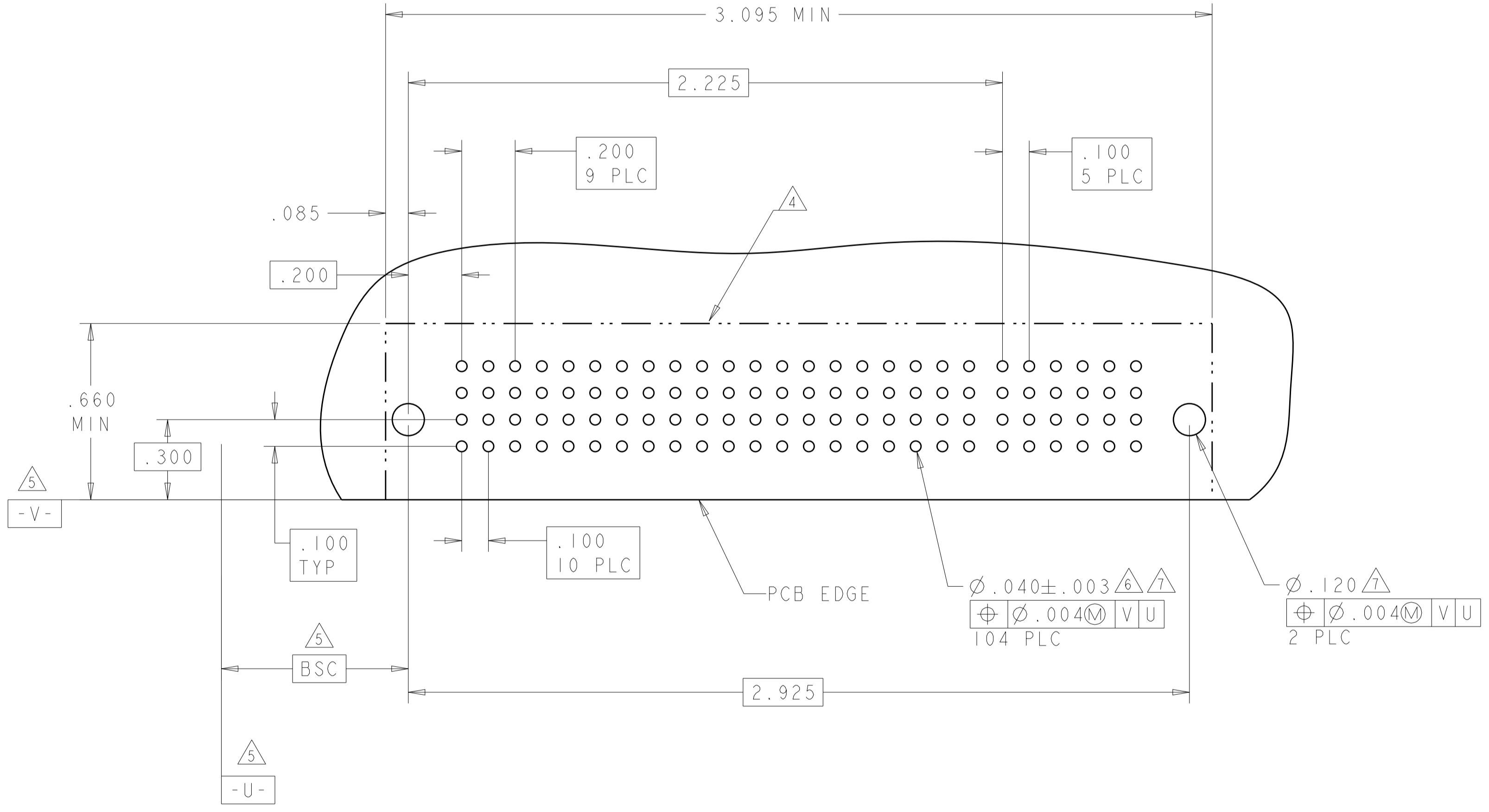
PART NUMBER	ROWS	POWER										SIGNAL					
		P1	P2	P3	P4	P5	P6	P7	P8	P9	P10	1	2	3	4	5	6
6450832-4	D C B A	TM	TM	TM	TM	TM	TM	TM	TM	TM	TM	J	J	J	J	J	J
		TM	TM	TM	TM	TM	TM	TM	TM	TM	TM	K	K	K	K	K	K
		TM	TM	TM	TM	TM	TM	TM	TM	TM	TM	N	N	N	N	N	N
10HDP + 24S											H	S	S	S	S	S	

PART NUMBER	ROWS	POWER										SIGNAL					
		P1	P2	P3	P4	P5	P6	P7	P8	P9	P10	1	2	3	4	5	6
6450832-5	D C B A	TM	TM	TM	TM	TM	TM	TM	TM	TM	TM	J	J	J	J	J	J
		TM	TM	TM	TM	TM	TM	TM	TM	TM	TM	K	K	K	K	K	K
		TM	TM	TM	TM	TM	TM	TM	TM	TM	TM	N	N	N	N	N	N
10HDP + 24S											H	S	S	S	S	S	

PART NUMBER	ROWS	POWER										SIGNAL					
		P1	P2	P3	P4	P5	P6	P7	P8	P9	P10	1	2	3	4	5	6
2-6450832-7	D C B A	TM	TM	TM	TM	TM	TM	TM	TM	TM	TM	J	J	J	J	J	J
		TM	TM	TM	TM	TM	TM	TM	TM	TM	TM	K	K	K	K	K	K
		TM	TM	TM	TM	TM	TM	TM	TM	TM	TM	N	N	N	N	N	N
10HDP + 24S											H	S	S	S	S	S	



$\varnothing .098 \pm .002$  6 7  
 $\varnothing .120$  7  
 $\varnothing .040 \pm .003$  6 7  
 $\varnothing .004$  V U  
 $\varnothing .004$  V U

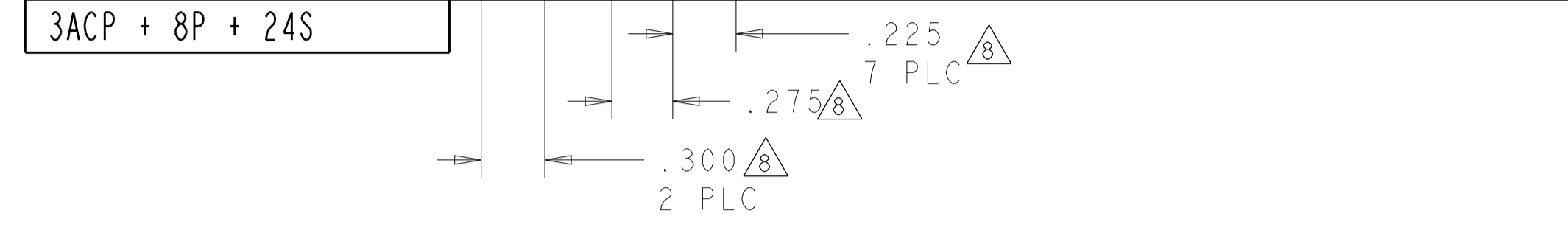


PCB LAYOUT FOR P/N: 6450832-5 AND 2-6450832-7

THIS DRAWING IS A CONTROLLED DOCUMENT.		DMN H. LIU CHK S. ZHAO APVD S. ZHAO	27MAY2008 27MAY2008	TE Connectivity
DIMENSIONS: INCHES	TOLERANCES UNLESS OTHERWISE SPECIFIED:	NAME R/A HEADER WITH SHORT GUIDES AND LP CONTACTS ASSEMBLY MULTI-BEAM XLE	PRODUCT SPEC 108-2292	
MATERIAL	FINISH	APPLICATION SPEC 114-13251	SIZE A100779	RESTRICTED TO
CUSTOMER DRAWING		WEIGHT	CAGE CODE 6450832	SCALE 4:1
		SHEET 6 OF 24		REV K6

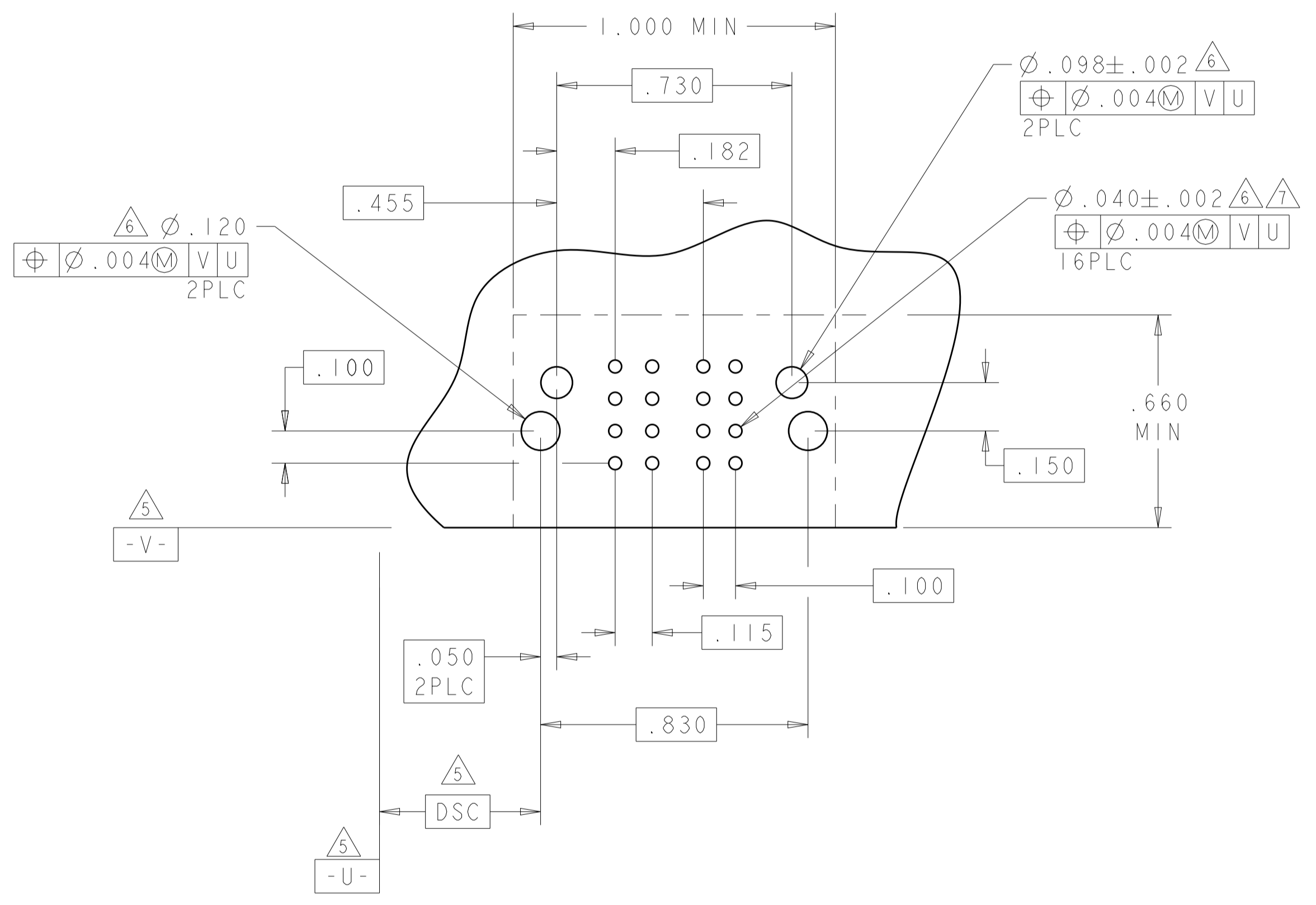
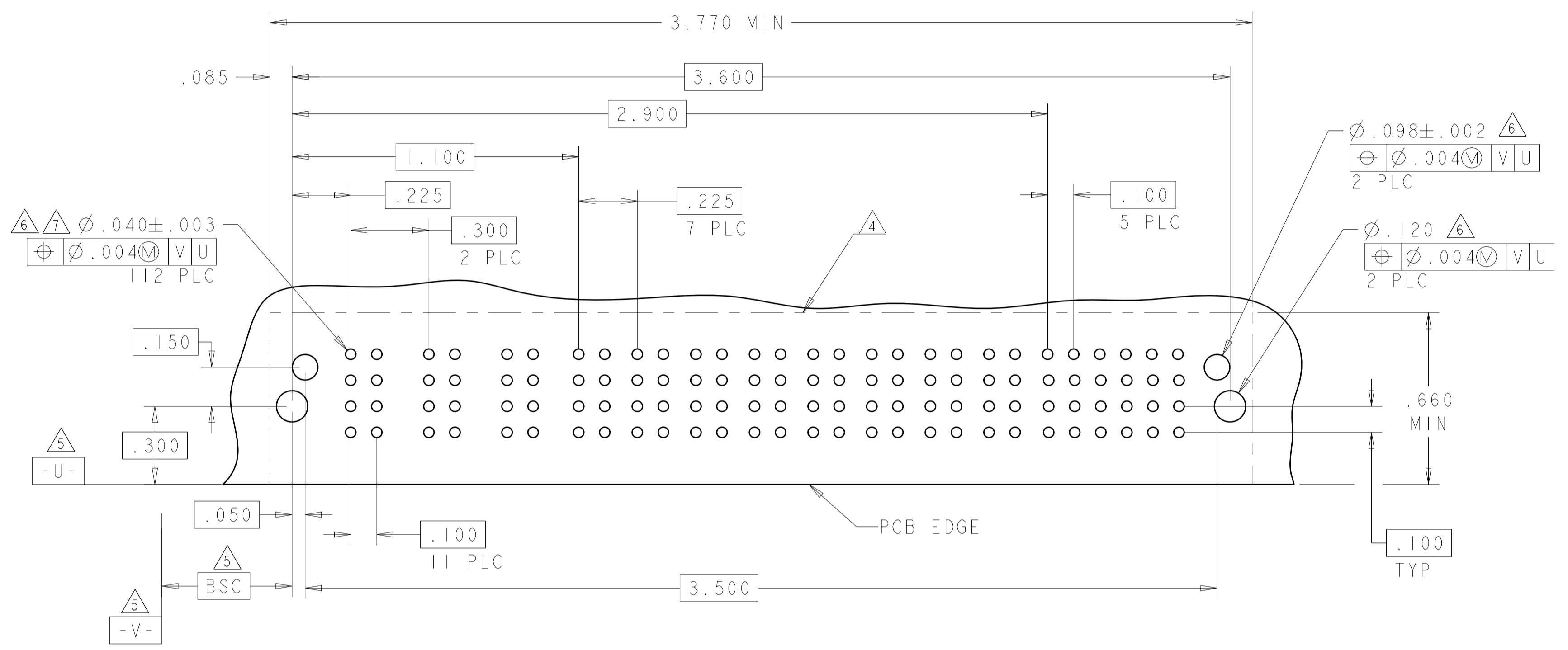
LOC	DIST	REVISIONS			
P	LTM	DESCRIPTION	DATE	DMN	APVD
-	-	SEE SHEET 1	-	-	-

PART NUMBER	ROWS	POWER											SIGNAL					
		P1	P2	P3	P4	P5	P6	P7	P8	P9	P10	P11	1	2	3	4	5	6
6450832-7	D C B A	TM	TM	TM	TM	TM	TM	TM	TM	TM	TM	TM	E	E	J	J	E	E
		K	F	K	K	K	K	K	K	K	K	K	N	G	G	G	G	G
		S	S	S	S	S	S	S	S	S	S	S	S	S	S	S	S	S



PART NUMBER	ROWS	POWER		SIGNAL	
		P1	P2	1	2
6450832-8	D C B A	LMF	LM	E	E
				F	F
				G	G
				H	H

2LP + 8S



THIS DRAWING IS A CONTROLLED DOCUMENT.		DMN: H.LIU 27MAY2008	 TE Connectivity
DIMENSIONS: INCHES		CHK: S.ZHAO 27MAY2008	
TOLERANCES UNLESS OTHERWISE SPECIFIED: 0 PLC ±. 1 PLC ±.01 2 PLC ±.01 3 PLC ±.005 4 PLC ±.0020 ANGLES ±.2°		APVD: S.ZHAO	NAME: R/A HEADER WITH SHORT GUIDES AND LP CONTACTS ASSEMBLY MULTI-BEAM XLE
MATERIAL: FINISH:		PRODUCT SPEC: 108-2292	SIZE: CAGE CODE DRAWING NO: A100779C=6450832
		APPLICATION SPEC: 114-13251	RESTRICTED TO: -
		WEIGHT: -	SCALE: 4:1 SHEET 7 OF 24 REV: K6
		CUSTOMER DRAWING	



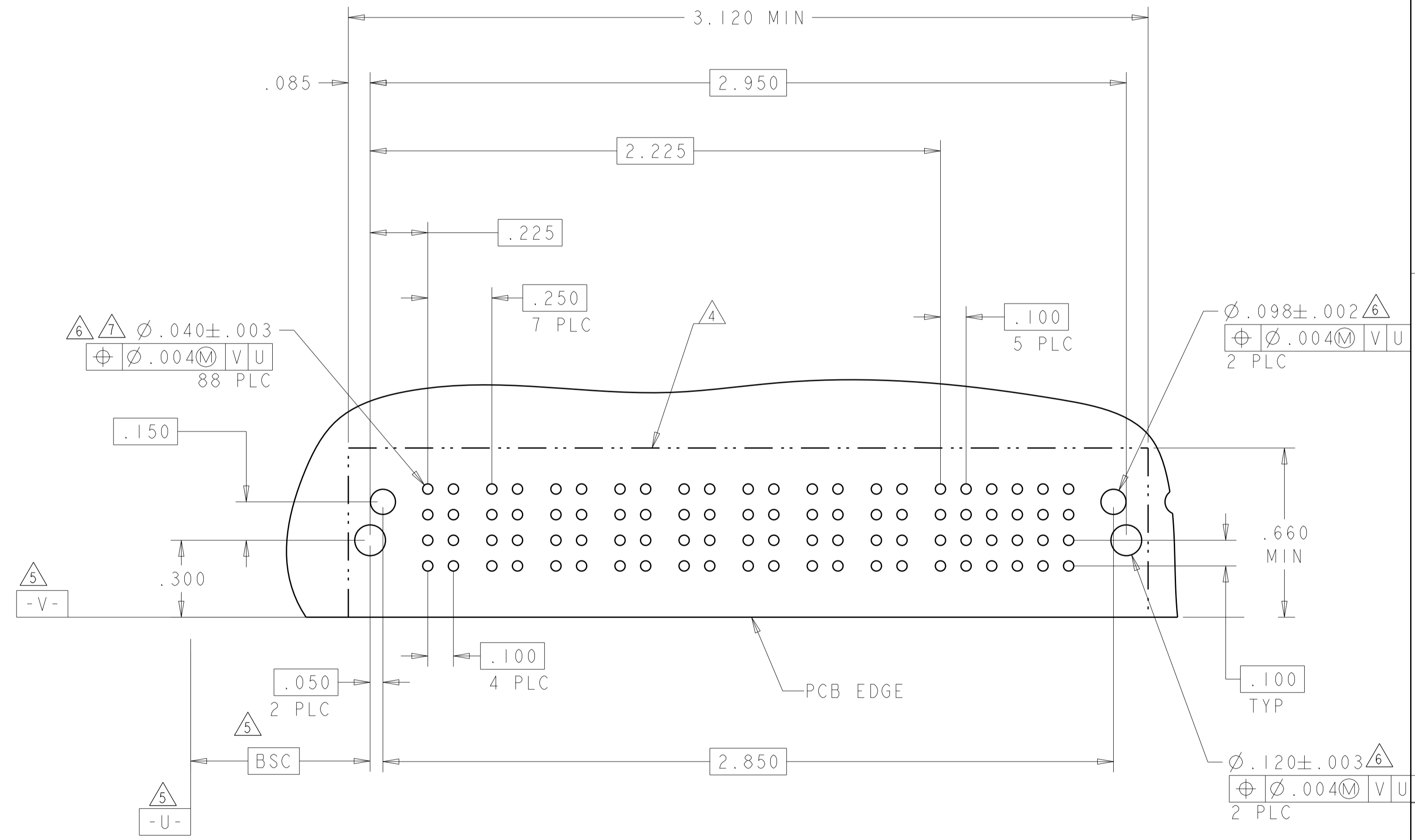
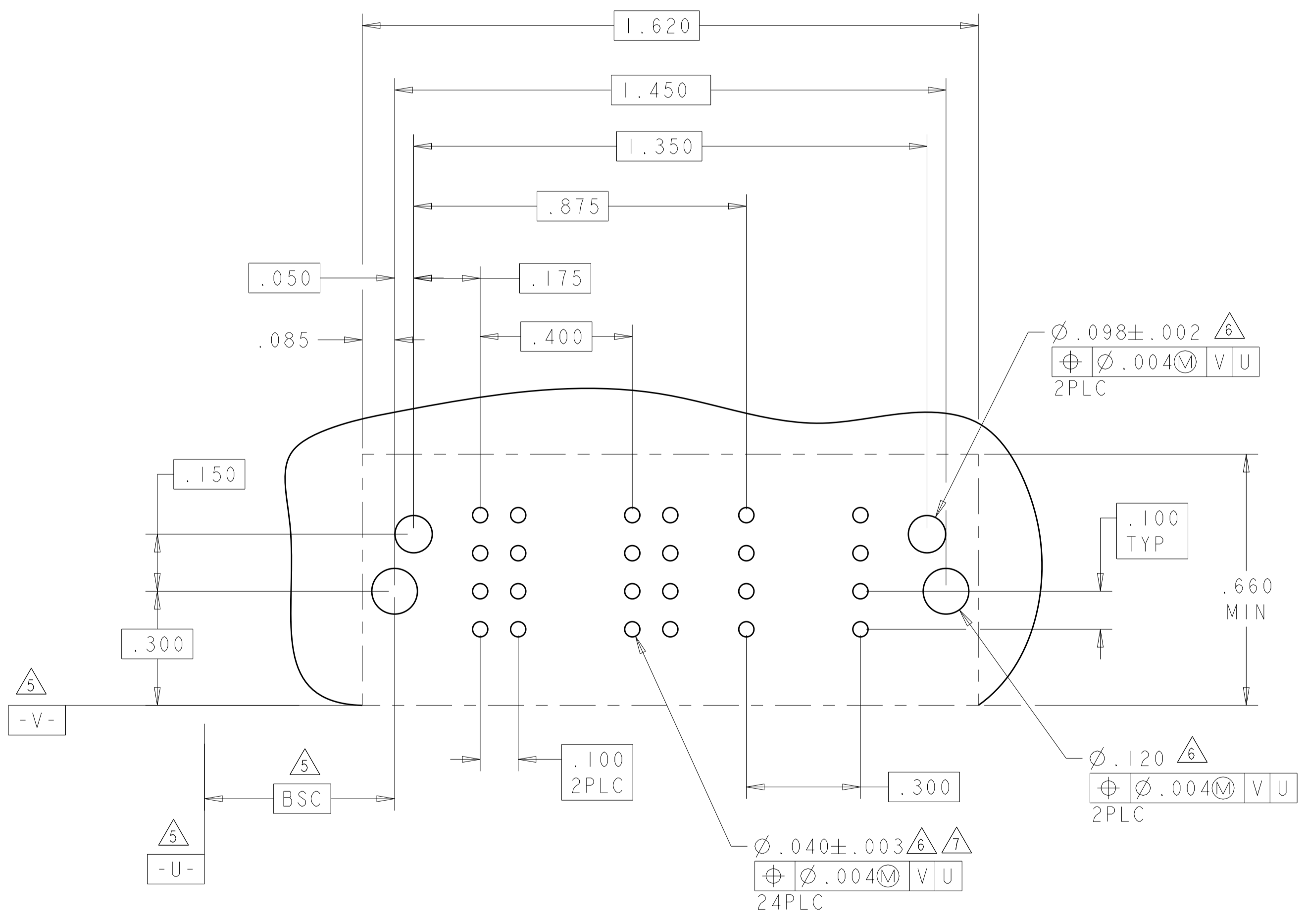
LOC	DIST	REVISIONS			
P	LTH	DESCRIPTION	DATE	OWN	APVD
-	-	SEE SHEET 1	-	-	-

PART NUMBER	ROWS	POWER			SIGNAL			
		P1	P2	P3	1	2	3	4
6450832-9	D C B A	TM	TM	TM	J			J
					K			K
					N			N
					S			S

PART NUMBER	ROWS	POWER								SIGNAL					
		P1	P2	P3	P4	P5	P6	P7	P8	1	2	3	4	5	6
3-6450832-4	D C B A	TM	TM	TM	TM	TM	TM	TM	TM	J	J	J	J	J	J
										K	K	K	K	K	K
										N	N	N	N	N	N
										S	S	S	S	S	S

2P + 8S  
 .400  
 NO LOADING CONTACTS

H9



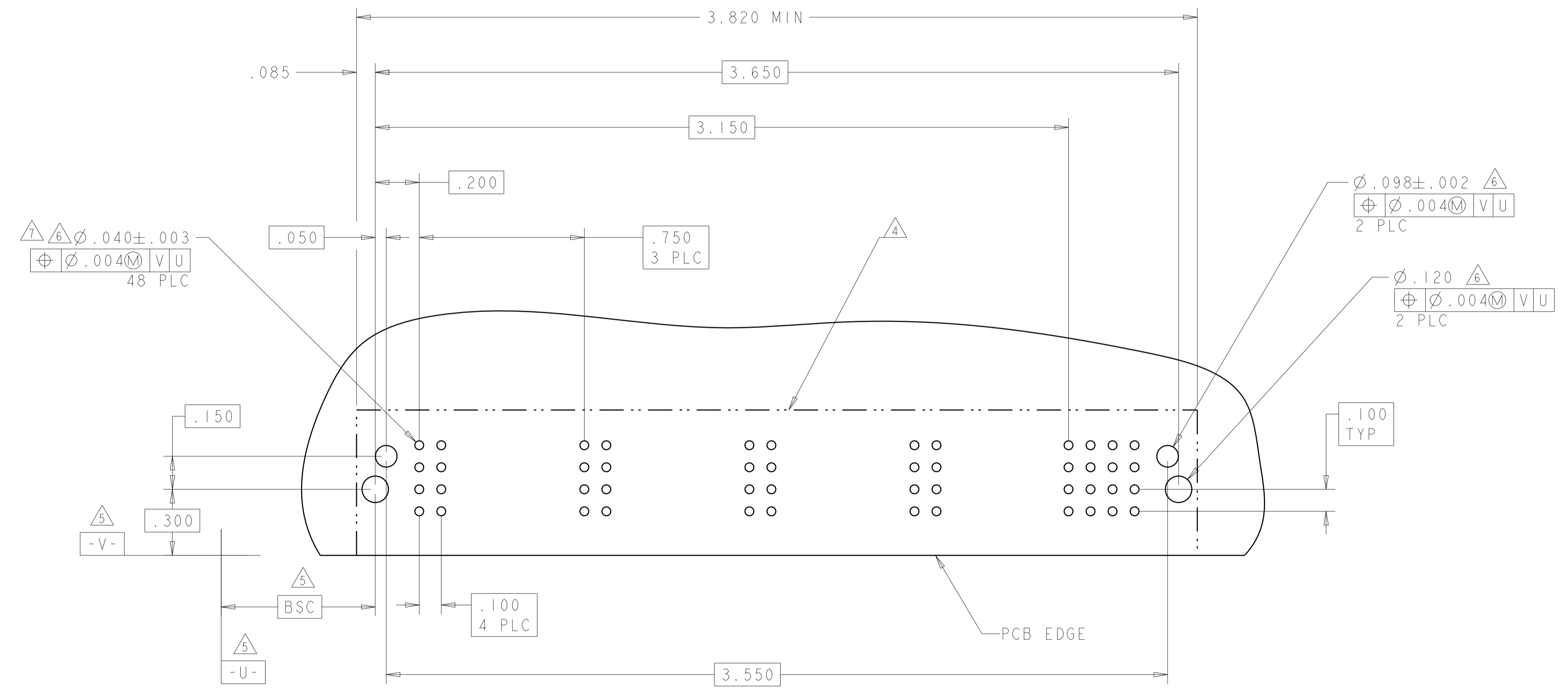
THIS DRAWING IS A CONTROLLED DOCUMENT.

DIMENSIONS: INCHES	TOLERANCES UNLESS OTHERWISE SPECIFIED:	OWN: H.LIU 27MAY2008 CHK: S.ZHAO 27MAY2008 APVD: S.ZHAO	NAME: R/A HEADER WITH SHORT GUIDES AND LP CONTACTS ASSEMBLY MULTI-BEAM XLE
	0 PLC ± 2 PLC ±.01 3 PLC ±.01 4 PLC ±.005 ANGLES ±.0020	PRODUCT SPEC: 108-2292 APPLICATION SPEC: 114-13251	SIZE: A1 CAGE CODE: 6450832
MATERIAL:	FINISH:	WEIGHT:	RESTRICTED TO: -
CUSTOMER DRAWING		SCALE: 4:1	SHEET 8 OF 24 REV: K6

LOC		DIST		REVISIONS			
P	LTN	DESCRIPTION	DATE	DWN	APVD		
-	-	SEE SHEET 1	-	-	-		

PART NUMBER	ROWS	POWER												SIGNAL			
		P1	P2	P3	P4	P5	P6	P7	P8	P9	P10	P11	P12	1	2	3	4
1-6450832-0	D	TM			TM			TM				TM		J	J	J	J
	C													K	K	K	K
	B													N	N	N	N
	A													S	S	S	S
12P + 16S																	

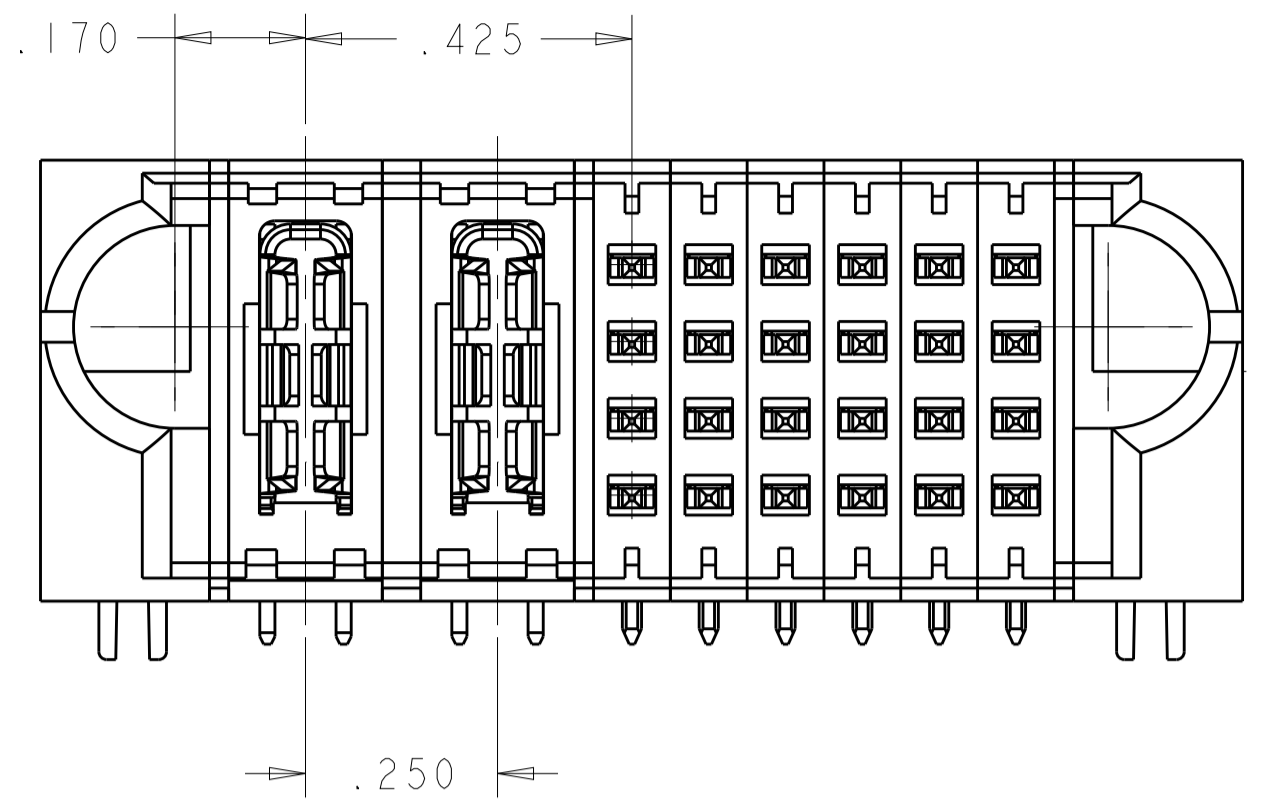
NO CONTACT LOADED



THIS DRAWING IS A CONTROLLED DOCUMENT.		DWN H. LIU 27MAY2008	TE Connectivity
DIMENSIONS: INCHES		CHK S. ZHAO 27MAY2008	
		TOLERANCES UNLESS OTHERWISE SPECIFIED: 0 PLC ± 1 PLC ±.01 2 PLC ±.01 3 PLC ±.005 4 PLC ±.0020 ANGLES ±.2°	NAME R/A HEADER WITH SHORT GUIDES AND LP CONTACTS ASSEMBLY MULTI-BEAM XLE
MATERIAL		APVD S. ZHAO	PRODUCT SPEC 108-2292 APPLICATION SPEC 114-13251
FINISH		WEIGHT	SIZE CAGE CODE DRAWING NO A100779C=6450832
CUSTOMER DRAWING		SCALE 4:1	SHEET 9 OF 24 REV K6

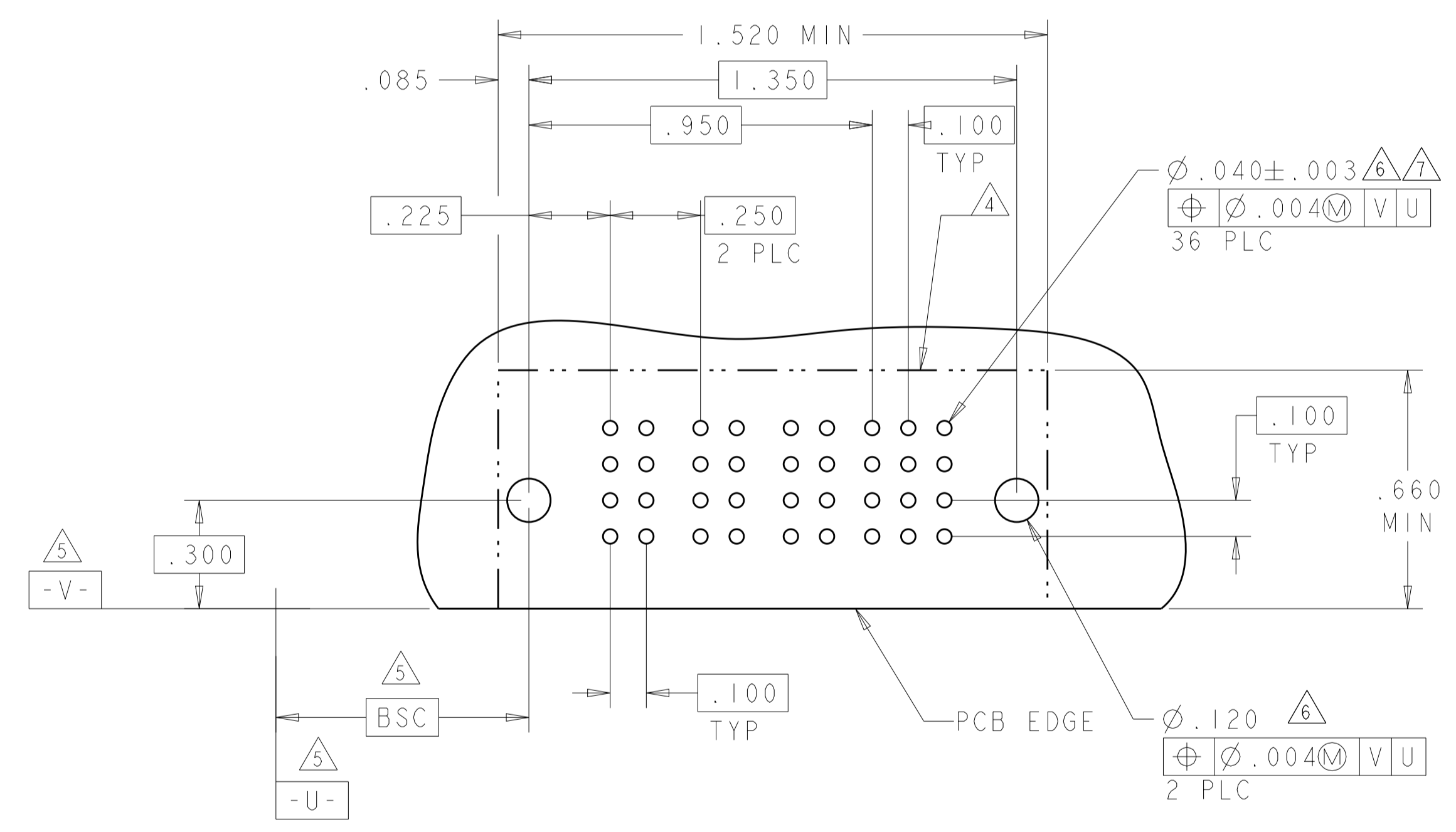
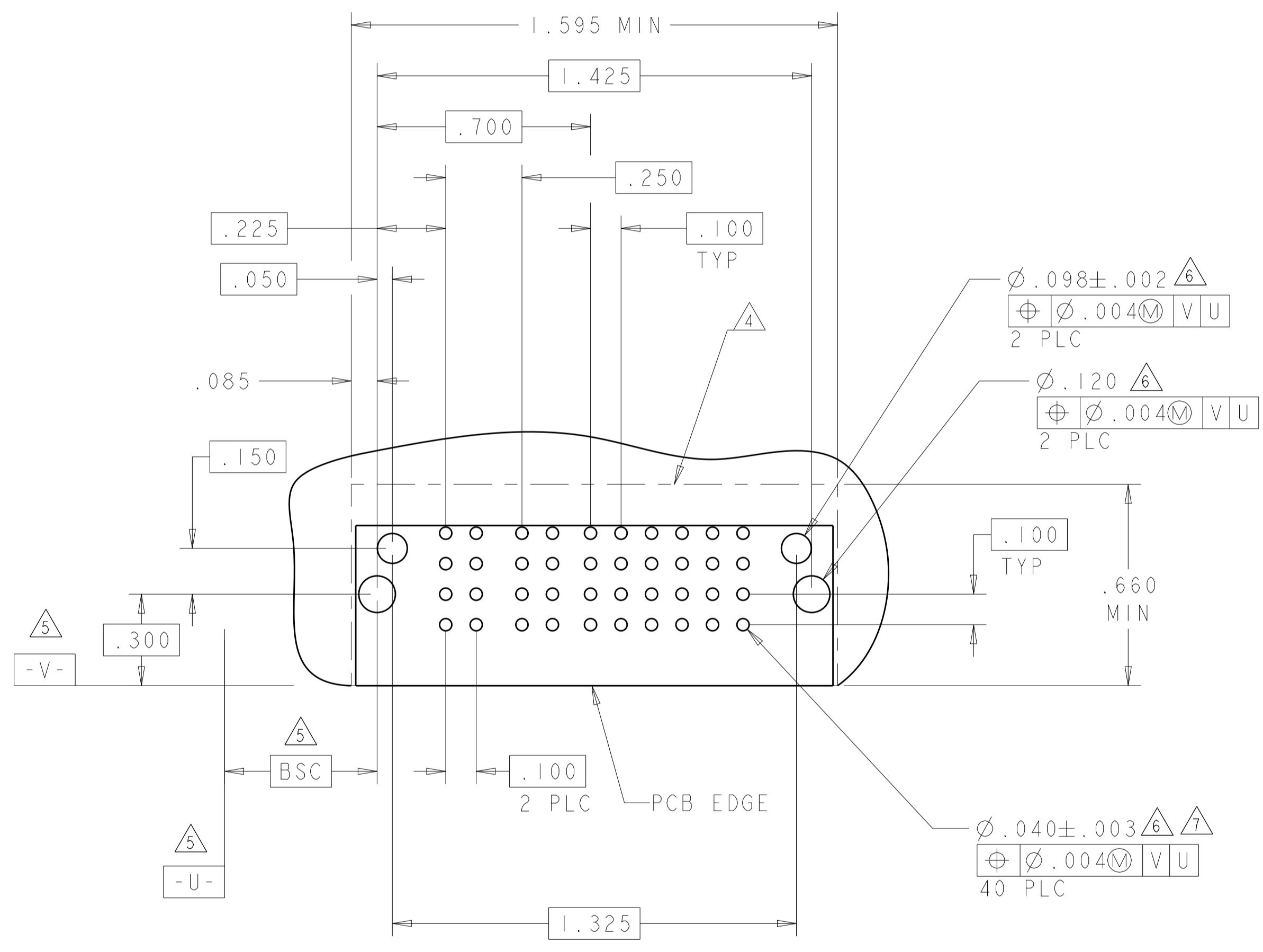
LOC		DIST		REVISIONS			
P	LTN	DESCRIPTION	DATE	DMN	APVD		
-	-	SEE SHEET 1	-	-	-		

PART NUMBER	ROWS	POWER		SIGNAL					
		P1	P2	1	2	3	4	5	6
I-6450832-2	D	TM	TM	J	J	J	J	J	J
	C			K	K	K	K	K	K
	B			N	N	N	N	N	N
A	H	S	S	S	S	S	S		
2P + 24S		HD							



PART VIEW I-6450832-2

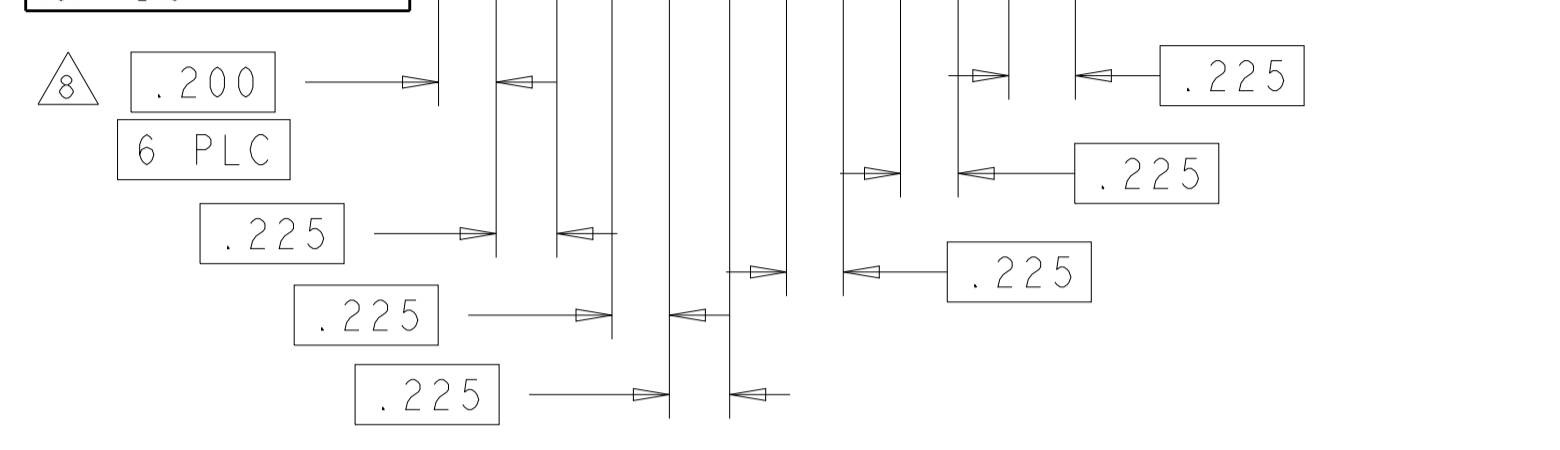
PART NUMBER	ROWS	POWER			SIGNAL		
		P1	P2	P3	1	2	3
I-6450832-4	D	TM	TM	TM	J	J	J
	C				K	F	K
	B				N	G	N
	A				S	S	S
3P + 12S		HD					



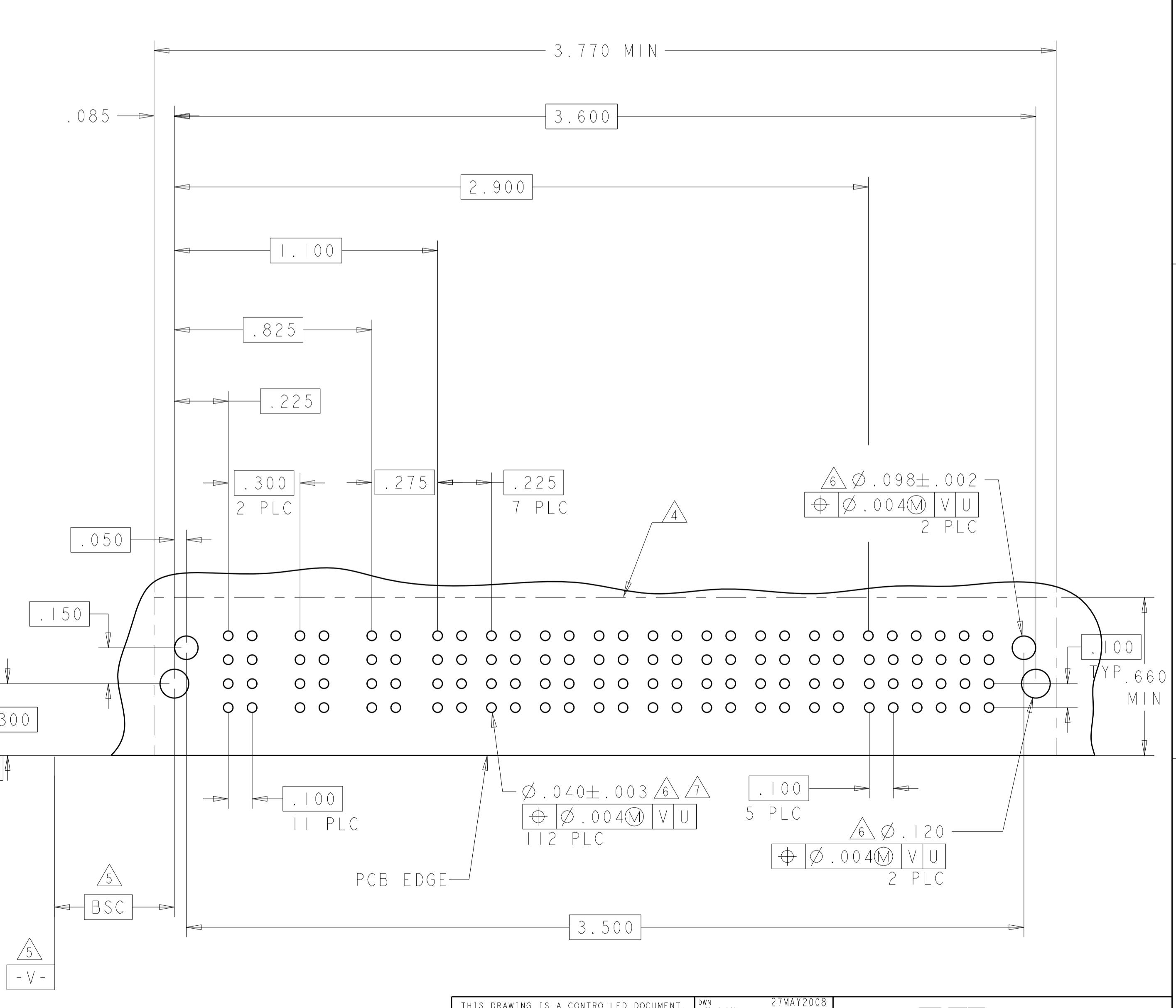
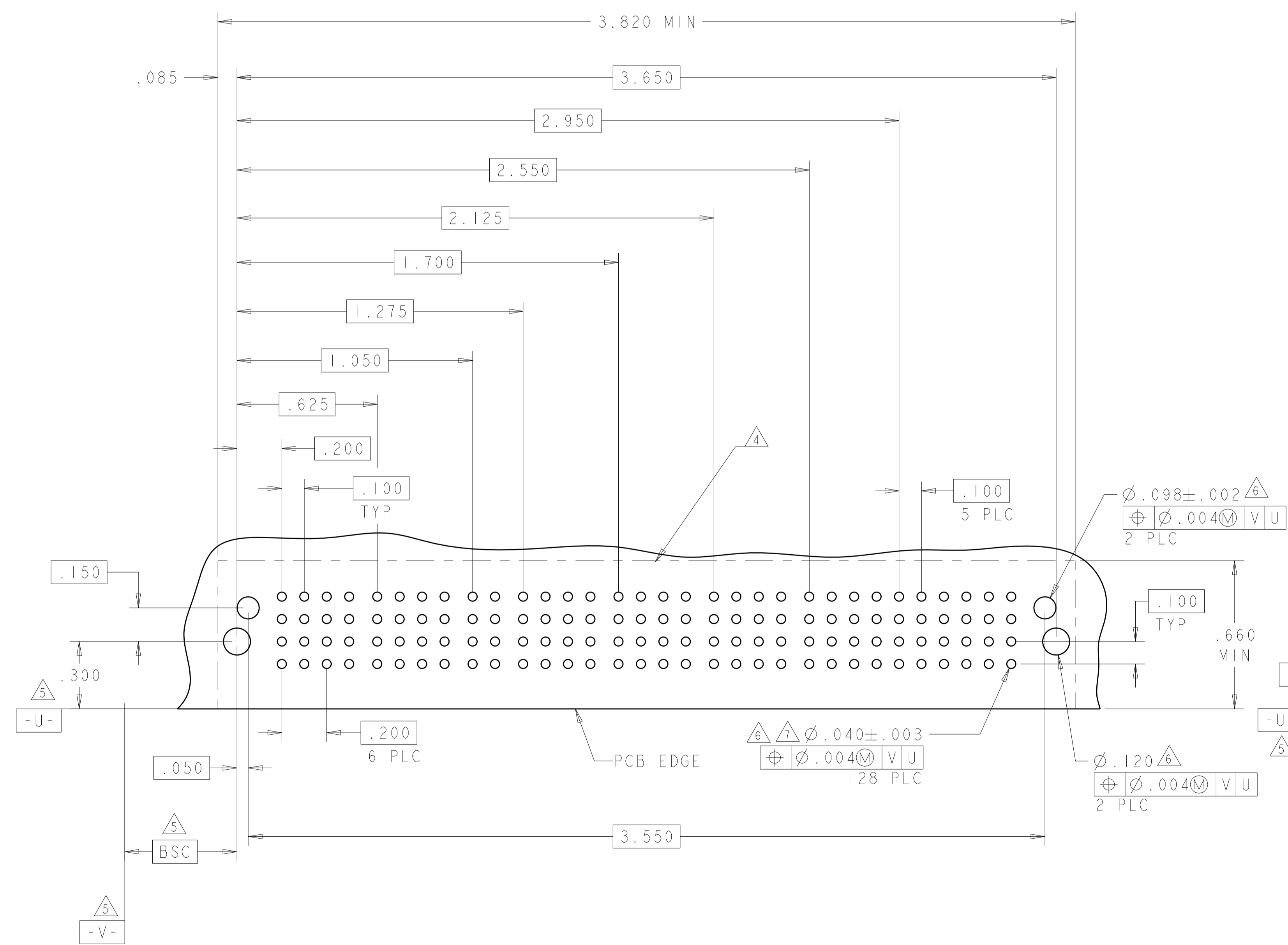
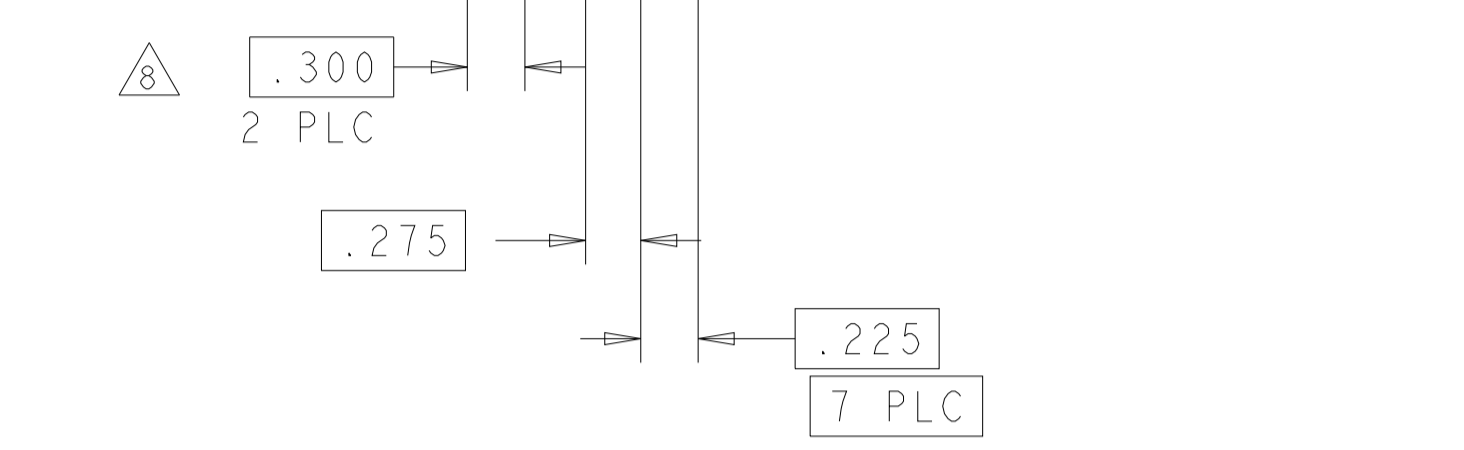
THIS DRAWING IS A CONTROLLED DOCUMENT.		DMN H. LIU 27MAY2008	TE Connectivity
DIMENSIONS: INCHES		CHK S. ZHAO 27MAY2008	
TOLERANCES UNLESS OTHERWISE SPECIFIED: 0 PLC ±. 2 PLC ±.01 3 PLC ±.005 4 PLC ±.0020 ANGLES ±.020		APVD S. ZHAO	NAME R/A HEADER WITH SHORT GUIDES AND LP CONTACTS ASSEMBLY MULTI-BEAM XLE
MATERIAL FINISH		PRODUCT SPEC 108-2292	RESTRICTED TO
		APPLICATION SPEC 114-13251	SIZE CAGE CODE DRAWING NO A100779C=6450832
		WEIGHT	SCALE 4:1 SHEET 10 OF 24 REV K6
		CUSTOMER DRAWING	

LOC	DIST	REVISIONS			
P	LTN	DESCRIPTION	DATE	DMN	APVD
-	-	SEE SHEET 1	-	-	-

PART NUMBER	ROWS	POWER										SIGNAL							
		P1	P2	P3	P4	P5	P6	P7	P8	P9	P10	P11	P12	P13	1	2	3	4	5
1-6450832-6	D	TM	TM	TM	TM	TM	TM	TM	TM	TM	TM	TM	TM	E	E	J	J	E	E
	C	TM	TM	TM	TM	TM	TM	TM	TM	TM	TM	TM	TM	K	F	K	K	K	K
	B	TM	TM	TM	TM	TM	TM	TM	TM	TM	TM	TM	TM	N	G	N	G	G	G
A	TM	TM	TM	TM	TM	TM	TM	TM	TM	TM	TM	TM	S	S	S	S	S	S	



PART NUMBER	ROWS	POWER										SIGNAL						
		P1	P2	P3	P4	P5	P6	P7	P8	P9	P10	P11	1	2	3	4	5	6
1-6450832-7	D	TM	TM	TM	TM	TM	TM	TM	TM	TM	TM	TM	E	E	J	J	E	E
	C	TM	TM	TM	TM	TM	TM	TM	TM	TM	TM	TM	K	F	K	K	K	K
	B	TM	TM	TM	TM	TM	TM	TM	TM	TM	TM	TM	N	G	N	G	G	G
A	TM	TM	TM	TM	TM	TM	TM	TM	TM	TM	TM	S	S	S	S	S	S	

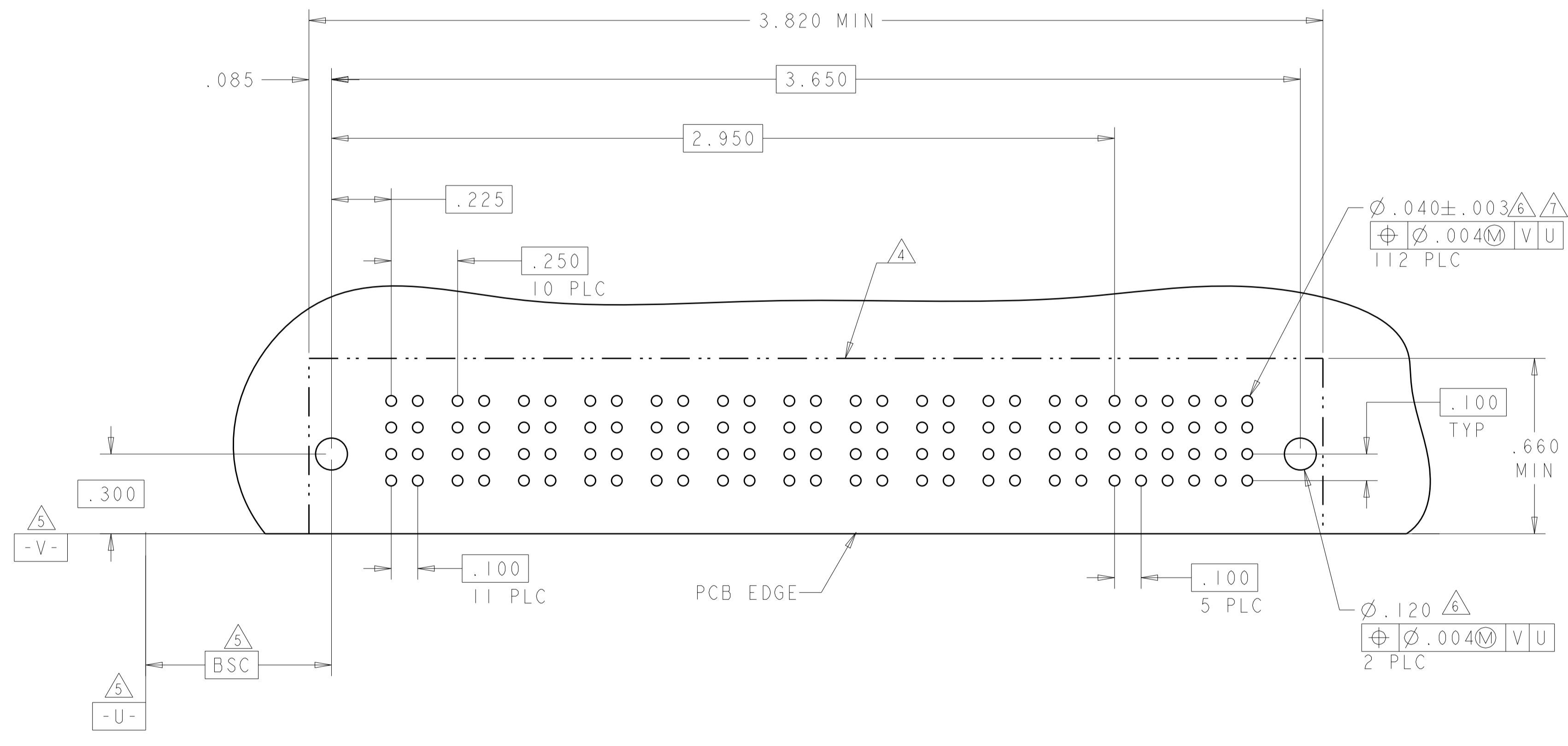


THIS DRAWING IS A CONTROLLED DOCUMENT.

DIMENSIONS:	TOLERANCES UNLESS OTHERWISE SPECIFIED:	DMN	H. LIU	27MAY2008
INCHES	0 PLC ±.01	CHK	S. ZHAO	27MAY2008
	1 PLC ±.01	APVD	S. ZHAO	-
	2 PLC ±.01	NAME	R/A HEADER WITH SHORT GUIDES AND LP CONTACTS ASSEMBLY	
	3 PLC ±.01	PRODUCT SPEC	108-2292	
	4 PLC ±.005	APPLICATION SPEC	MULTI-BEAM XLE	
	ANGLES ±.0020	SIZE	CAGE CODE	DRAWING NO
MATERIAL	FINISH	WEIGHT	114-13251	A100779
CUSTOMER DRAWING		SCALE	4:1	SHEET 11 OF 24

REV: K6

PART NUMBER	ROWS	POWER										SIGNAL					
		P1	P2	P3	P4	P5	P6	P7	P8	P9	P10	P11	1	2	3	4	5
1-6450832-9	D											J	E	J	J	J	E
	C											K	K	F	F	K	F
	B	TM	TM	TM	TM	TM	TM	TM	TM	TM	TM	G	N	G	G	N	G
	A											S	S	S	S	H	H
11P + 24S																	



LOC		DIST		REVISIONS			
P	LTN	DESCRIPTION	DATE	DMN	APVD		
-	-	SEE SHEET 1	-	-	-	-	-

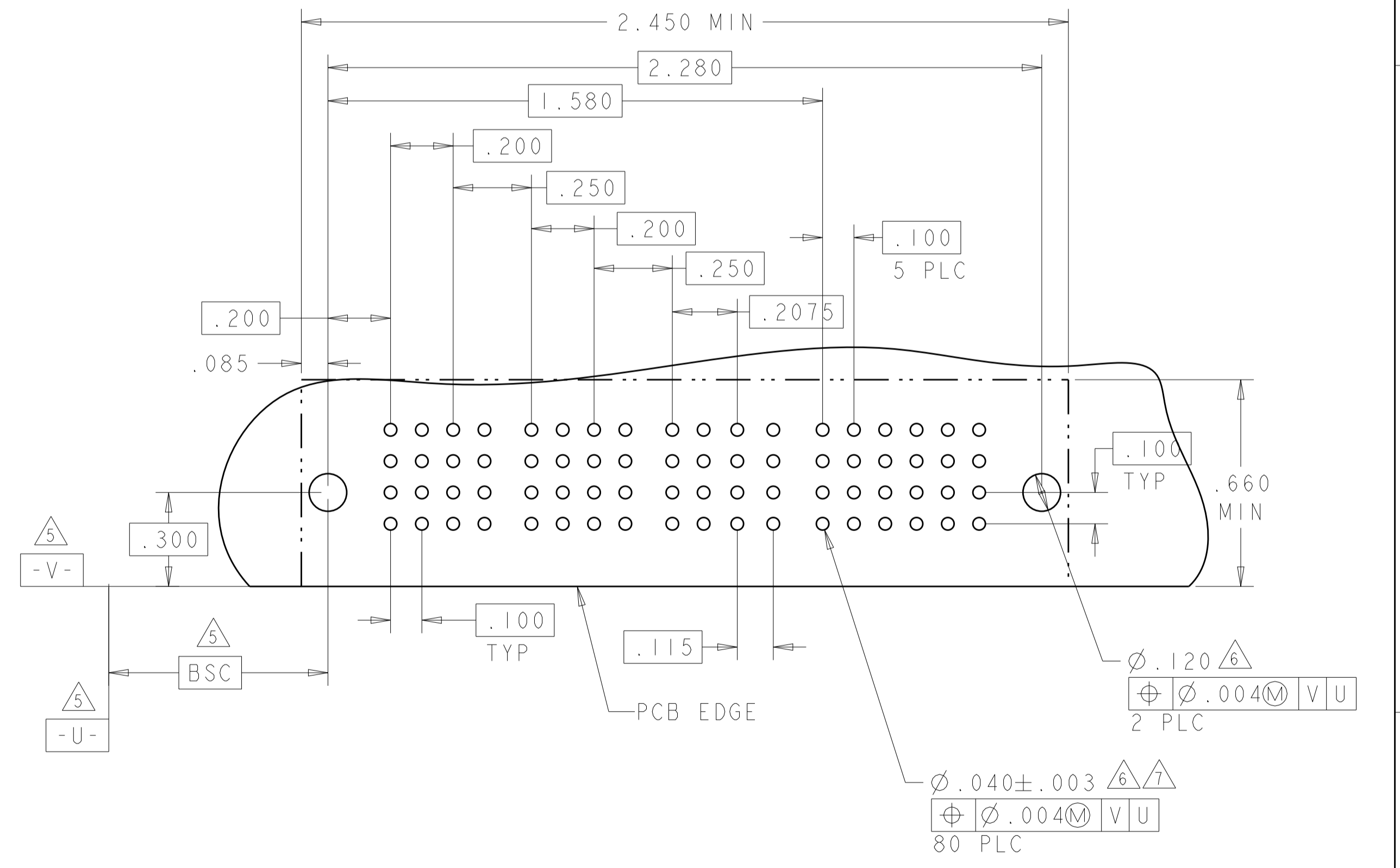
PART NUMBER	ROWS	POWER						SIGNAL									
		P1	P2	P3	P4	P5	LP1	LP2	1	2	3	4	5	6			
2-6450832-0	D								J	F	J	J	J	J			
	C								K	FK	K	K	F	F			
	B	TM	TM	TM	TM	TM	LM	LMF	N	FN	N	N	FN	FN			
	A								S	FS	H	S	H	H			
5P + 2LP + 24S																	

Dimensional callouts for part 2-6450832-0: .200, .250, .200, .115, .1575, .250.

(G2)

PART NUMBER	ROWS	POWER						SIGNAL									
		P1	P2	P3	P4	P5	LP1	LP2	1	2	3	4	5	6			
2-6450832-5	D								J	F	J	J	J	J			
	C								K	FK	K	K	F	F			
	B	TM	TM	TM	TM	TM	LMF	LMF	N	FN	N	N	FN	FN			
	A								S	FS	H	S	H	H			
5P + 2LP + 24S																	

Dimensional callouts for part 2-6450832-5: .200, .250, .200, .115, .1575, .250.



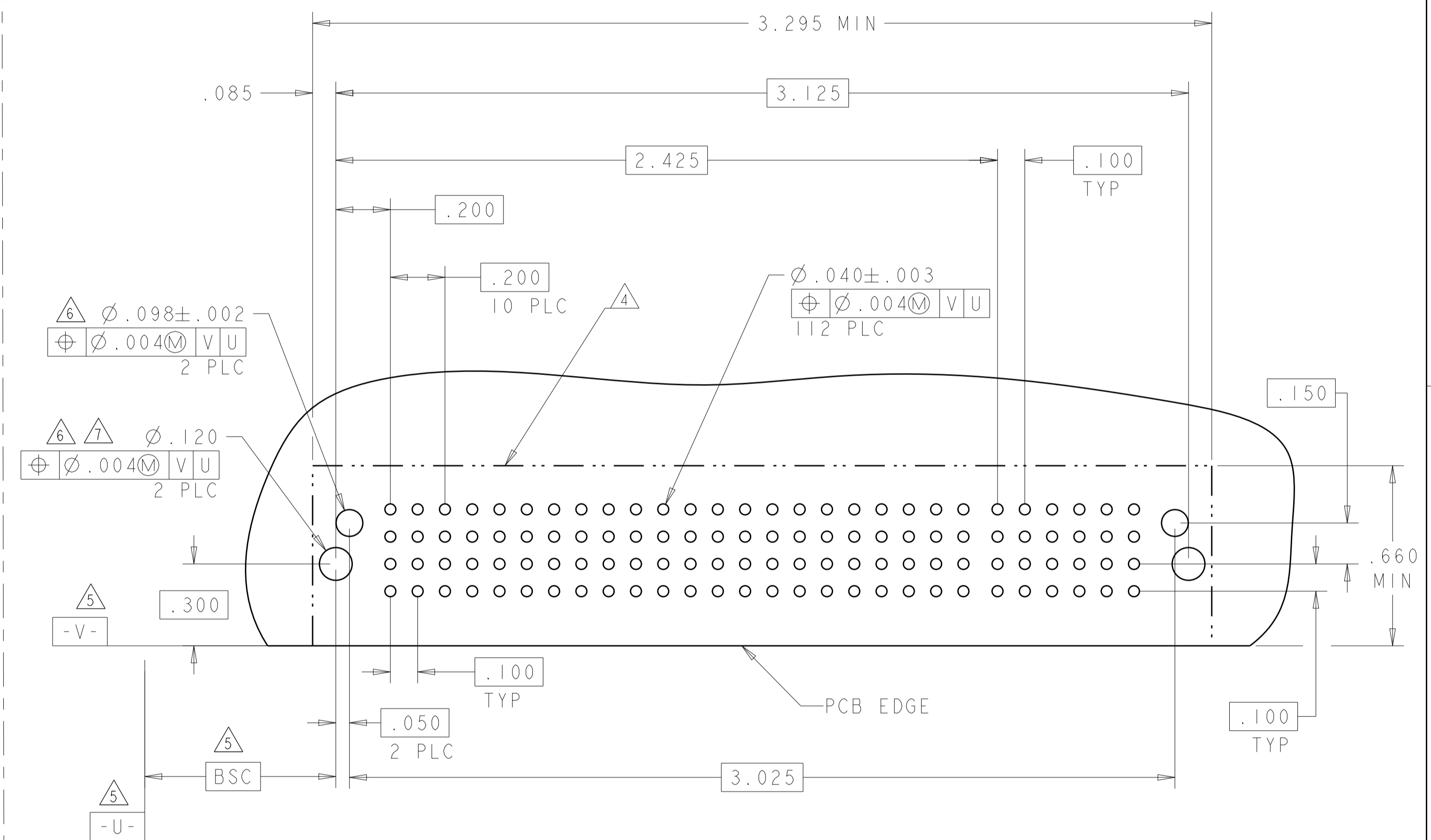
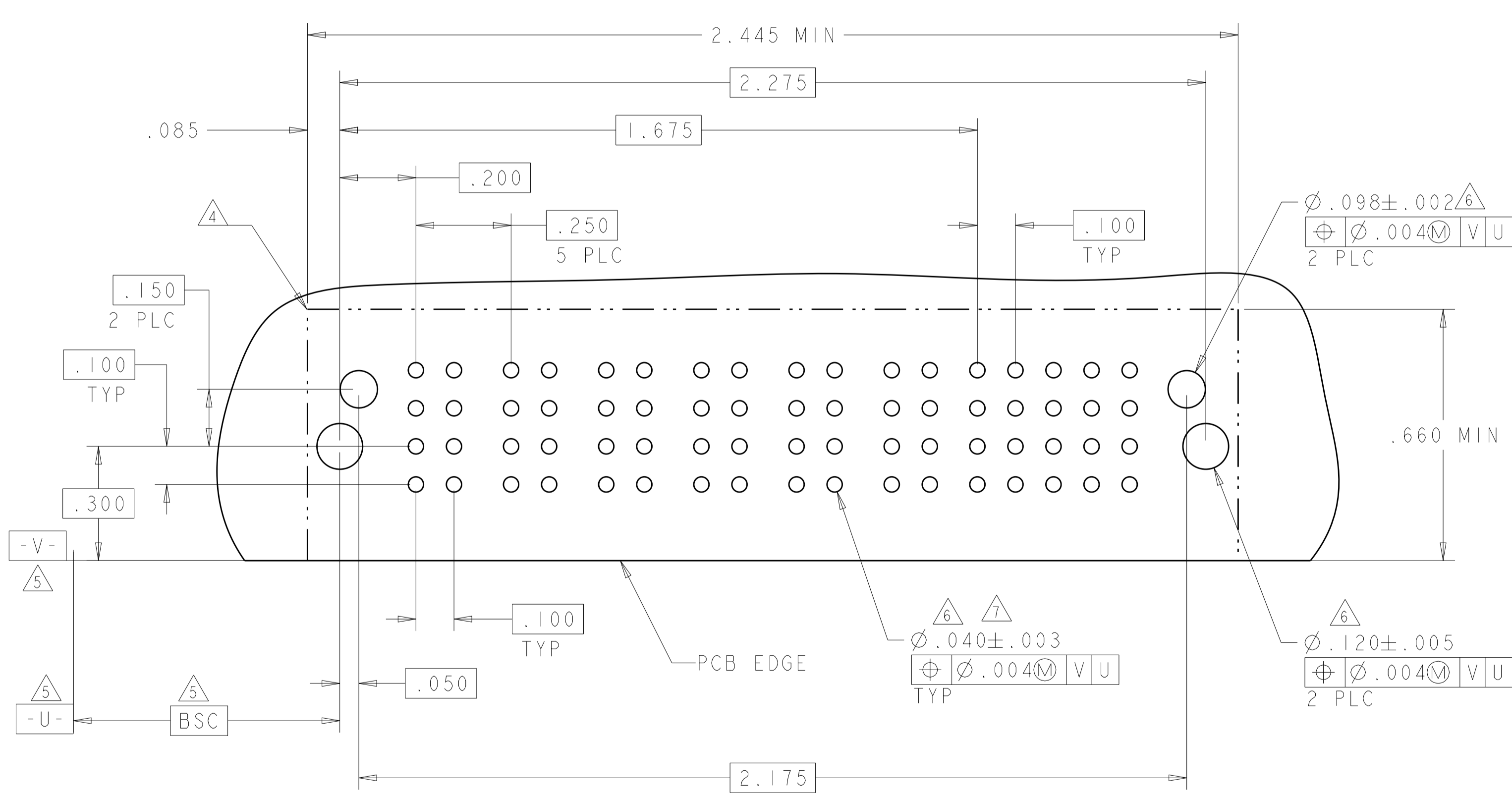
2-6450830-0 AND 2-6450830-5 PCB LAYOUT

THIS DRAWING IS A CONTROLLED DOCUMENT.		DMN H. LIU 27MAY2008	 TE Connectivity
DIMENSIONS: INCHES		CHK S. ZHAO 27MAY2008	
TOLERANCES UNLESS OTHERWISE SPECIFIED: 0 PLC ±. 1 PLC ±.01 2 PLC ±.01 3 PLC ±.005 4 PLC ±.002 ANGLES ±.020		APVD S. ZHAO	NAME R/A HEADER WITH SHORT GUIDES AND LP CONTACTS ASSEMBLY MULTI-BEAM XLE
MATERIAL		PRODUCT SPEC 108-2292	SIZE 114-13251
FINISH		APPLICATION SPEC 114-13251	RESTRICTED TO
		WEIGHT	SCALE 4:1
		CUSTOMER DRAWING	SHEET 12 OF 24
			REV K6

LOC	DIST	REVISIONS			
P	LTN	DESCRIPTION	DATE	DWN	APVD
-	-	SEE SHEET 1	-	-	-

PART NUMBER	ROWS	POWER						SIGNAL							
		P1	P2	P3	P4	P5	P6	1	2	3	4	5			
2-6450832-2	D C B A	TM	TM	TM	TM	TM	TM	J	J	J	J	J			
		K	K	K	K	K	K	N	G	N	N	N			
		N	N	N	N	N	N	S	S	S	S	S			
		S	S	S	S	S	S								
6P + 20S															

PART NUMBER	ROWS	POWER										SIGNAL							
		P1	P2	P3	P4	P5	P6	P7	P8	P9	P10	P11	1	2	3	4	5	6	
2-6450832-8	D C B A	TM	TM	TM	TM	TM	TM	TM	TM	TM	TM	J	J	J	J	J	E		
		K	K	K	K	K	K	K	K	K	K	N	N	N	N	N	N		
		S	S	S	S	S	S	S	S	S	S	S	S	S	S	S	S		
11HDP + 24S																			

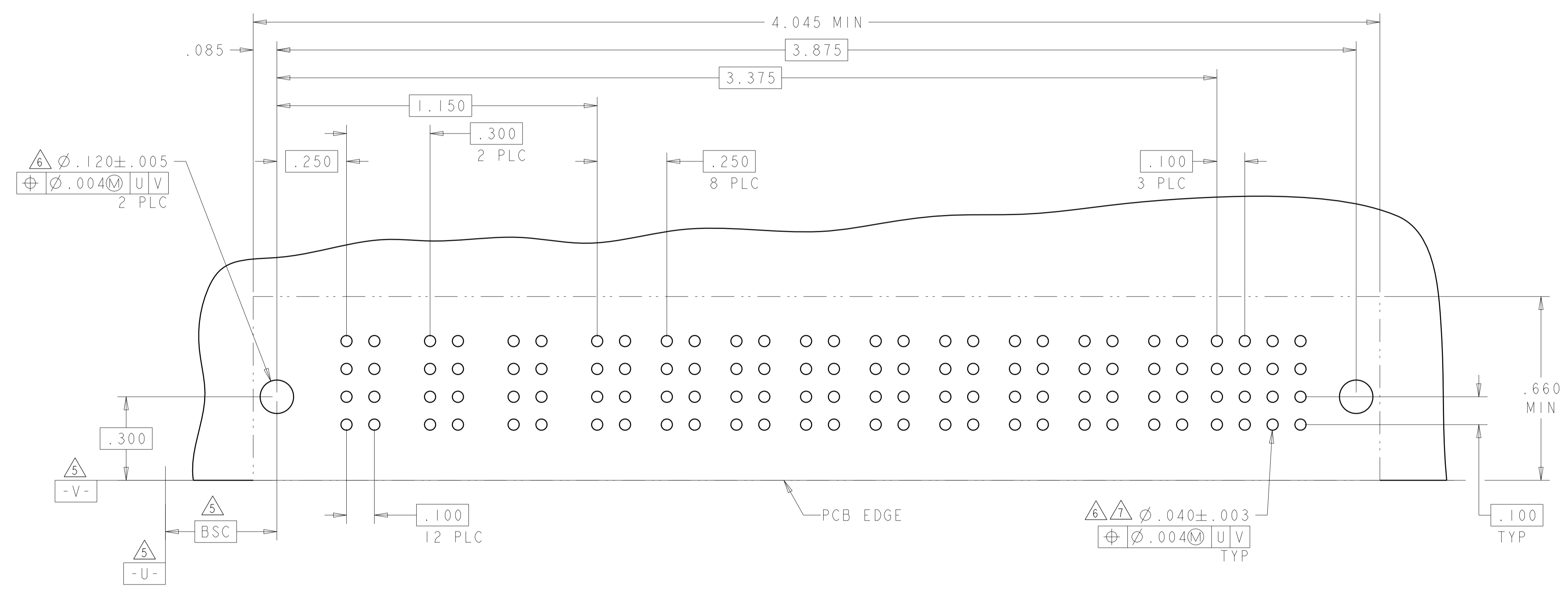


THIS DRAWING IS A CONTROLLED DOCUMENT.

DWN: H. LIU	27MAY2008	TE Connectivity
CHK: S. ZHAO	27MAY2008	
DIMENSIONS: INCHES TOLERANCES UNLESS OTHERWISE SPECIFIED: 0 PLC ± 1 PLC ±.01 2 PLC ±.01 3 PLC ±.005 4 PLC ±.002 ANGLES ±.020		NAME: R/A HEADER WITH SHORT GUIDES AND LP CONTACTS ASSEMBLY PRODUCT SPEC: 108-2292 APPLICATION SPEC: 114-13251 WEIGHT: - MATERIAL: - FINISH: -
APVD: S. ZHAO PRODUCT SPEC: 108-2292 APPLICATION SPEC: 114-13251 CAGE CODE: 114-13251 DRAWING NO: A100779 CUSTOMER DRAWING		

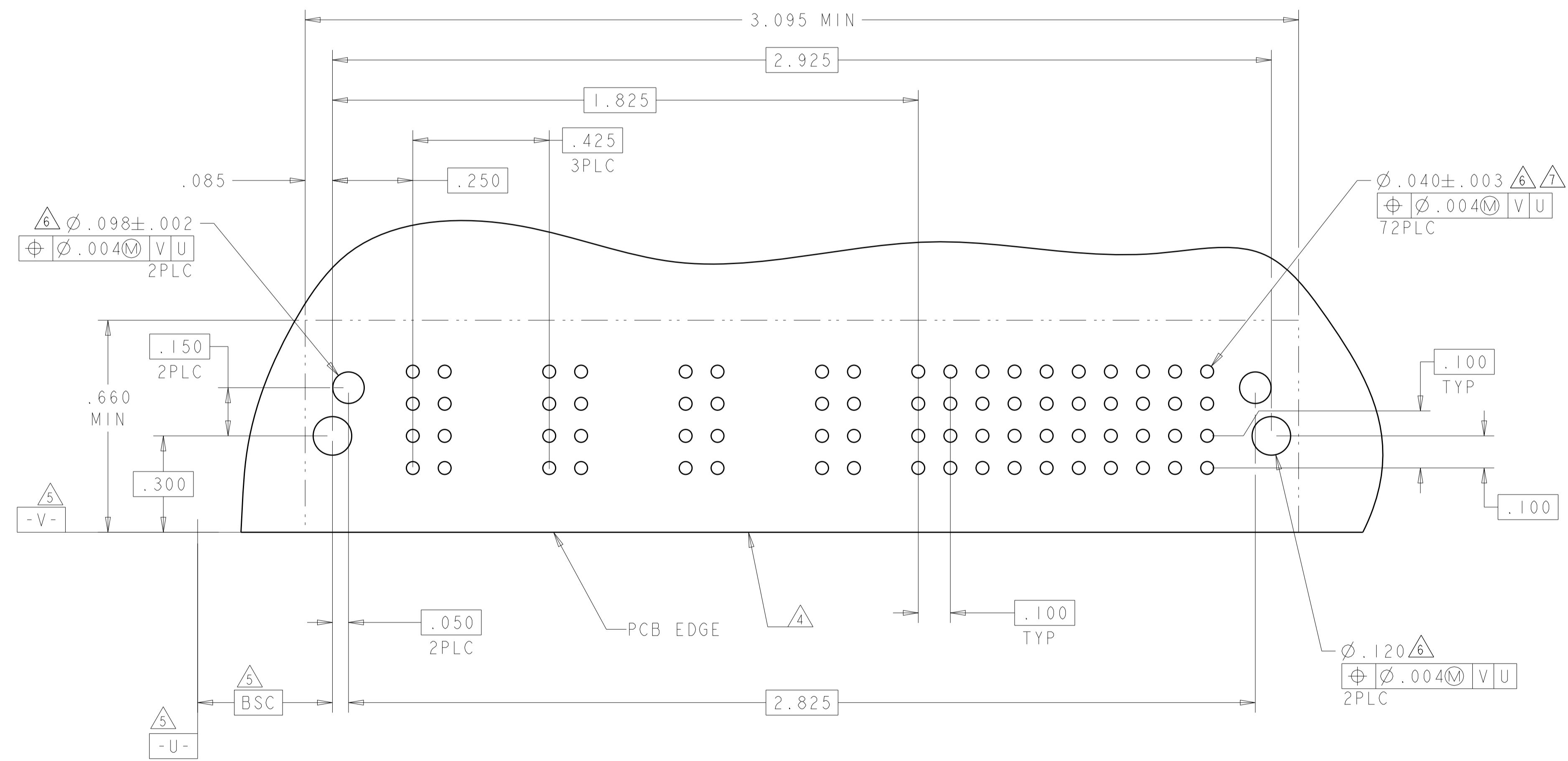
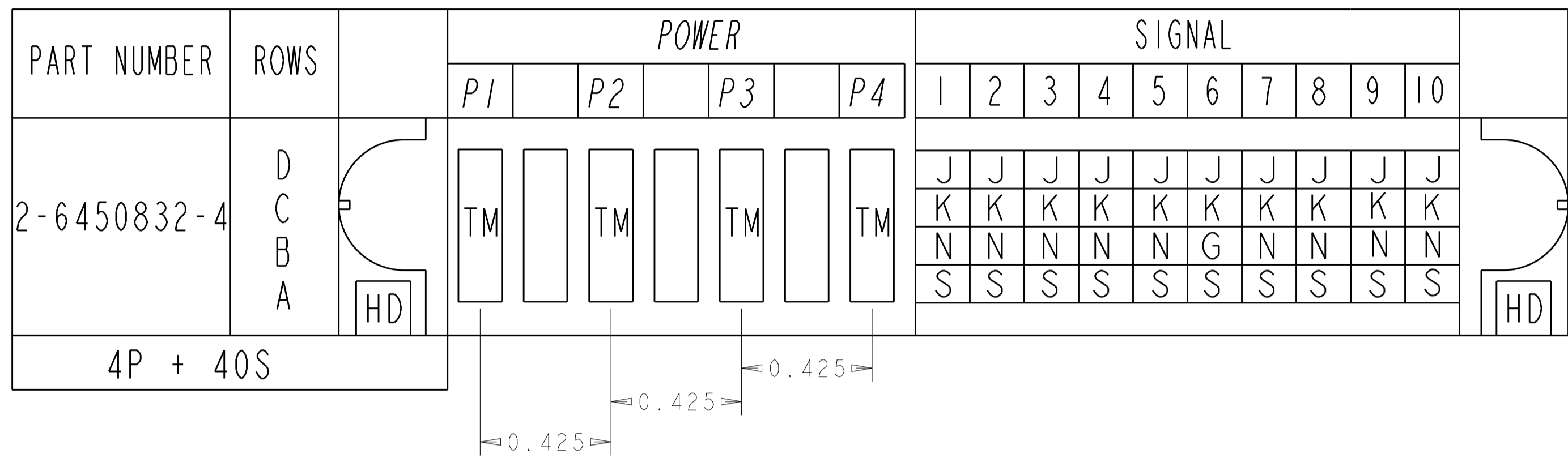
LOC		DIST		REVISIONS			
P	LTN	DESCRIPTION	DATE	DMN	APVD		
-		SEE SHEET 1					

PART NUMBER	ROWS	POWER												SIGNAL			
		P1	P2	P3	P4	P5	P6	P7	P8	P9	P10	P11	P12	1	2	3	4
2-6450832-3	D	PS	PS	PS	PS	PS	PS	PS	PS	PS	PS	PS	PS	J	J	J	J
	C													K	K	K	K
	B													N	N	N	N
	A													S	S	S	H
3ACP + 9P + 16S																	



THIS DRAWING IS A CONTROLLED DOCUMENT.		DMN: H.LIU 27MAY2008	
DIMENSIONS: INCHES		CHK: S.ZHAO 27MAY2008	
TOLERANCES UNLESS OTHERWISE SPECIFIED:		APVD: S.ZHAO	NAME: R/A HEADER WITH SHORT GUIDES AND LP CONTACTS ASSEMBLY MULTI-BEAM XLE
0 PLC ± 1 PLC ±.01 2 PLC ±.01 3 PLC ±.005 4 PLC ±.0020 ANGLES ±.2°		PRODUCT SPEC: 108-2292	SIZE: A100779
MATERIAL: FINISH:		APPLICATION SPEC: 114-13251	DRAWING NO: C=6450832
		WEIGHT: -	RESTRICTED TO: -
		CUSTOMER DRAWING	SCALE: 4:1 SHEET 14 OF 24 REV: K6

LOC	DIST	REV	DATE	BY	APPV
		1			



RECOMMENDED PCB LAYOUT BY TE

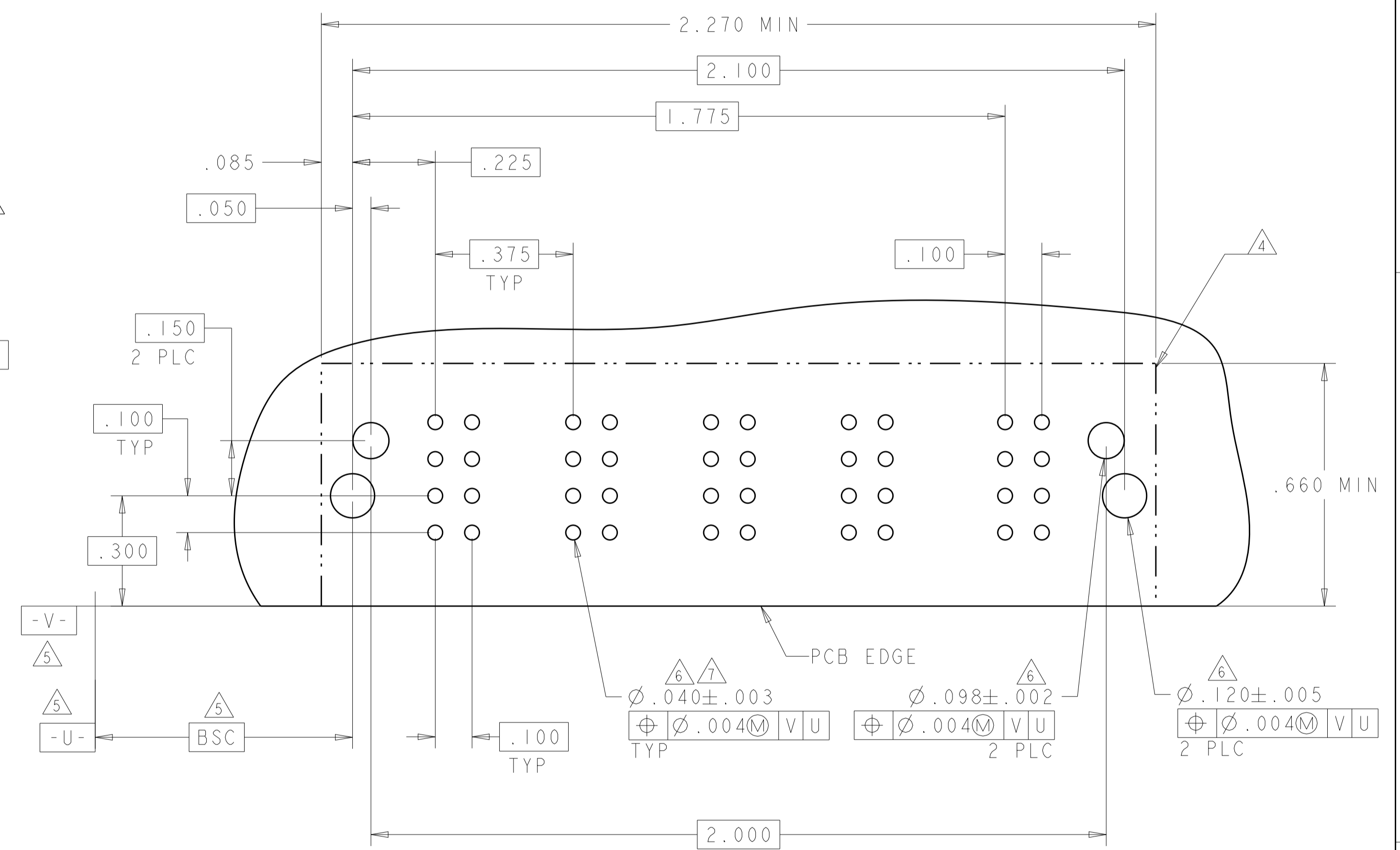
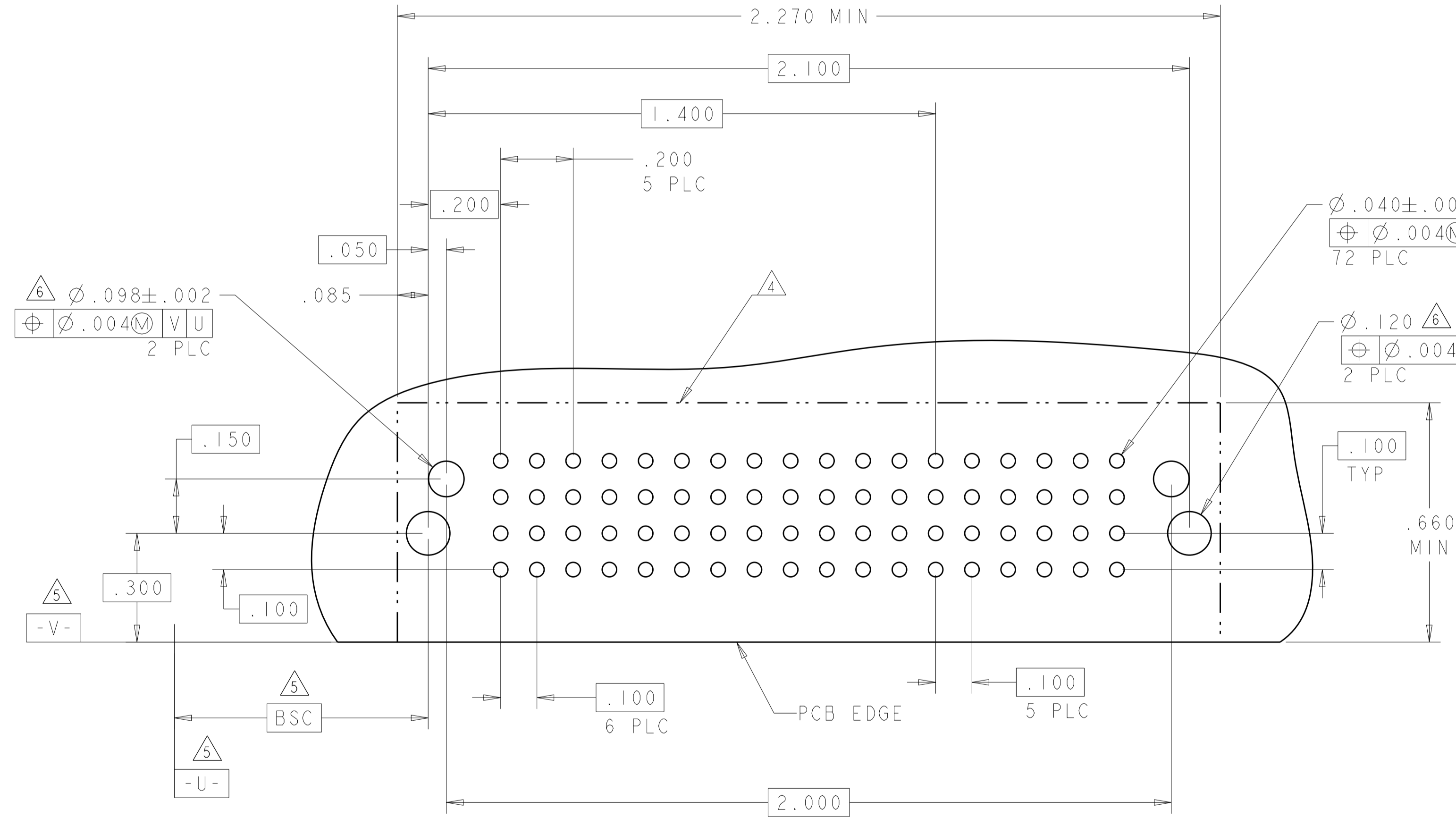
THIS DRAWING IS A CONTROLLED DOCUMENT.		DWN: H.LIU 27MAY2008 CHK: S.ZHAO 27MAY2008 APVD: S.ZHAO	
DIMENSIONS: INCHES	TOLERANCES UNLESS OTHERWISE SPECIFIED: 0 PLC ±. 1 PLC ±.01 2 PLC ±.01 3 PLC ±.005 4 PLC ±.0020 ANGLES ±.2°	NAME: R/A HEADER WITH SHORT GUIDES AND LP CONTACTS ASSEMBLY MULTI-BEAM XLE PRODUCT SPEC: 108-2292 APPLICATION SPEC: 114-13251 WEIGHT: -	
MATERIAL:	FINISH:	SIZE: A100779 CAGE CODE: C=6450832 CUSTOMER DRAWING	RESTRICTED TO: - SCALE: 4:1 SHEET: 15 OF 24 REV: K6



LOC	DIST	REVISIONS			
P	LTN	DESCRIPTION	DATE	DMN	APVD
-	-	SEE SHEET 1	-	-	-

PART NUMBER	ROWS	HD	POWER						SIGNAL						HD
			P1	P2	P3	P4	P5	P6	1	2	3	4	5	6	
2-6450832-6	D	HD	TM	TM	TM	TM	TM	TM	J	J	J	J	J	J	HD
	C								K	K	K	K	K		
	B								N	N	N	N	N	N	
	A								S	S	S	S	S	S	
6HDP + 24S															

PART NUMBER	ROWS	HD	POWER				SIGNAL		HD
			P1	P2	P3	P4	1	2	
3-6450832-0	D	HD	TM	TM	TM	TM	J	E	HD
	C						K	F	
	B						N	G	
	A						S	H	
4ACP + 8S									



THIS DRAWING IS A CONTROLLED DOCUMENT.

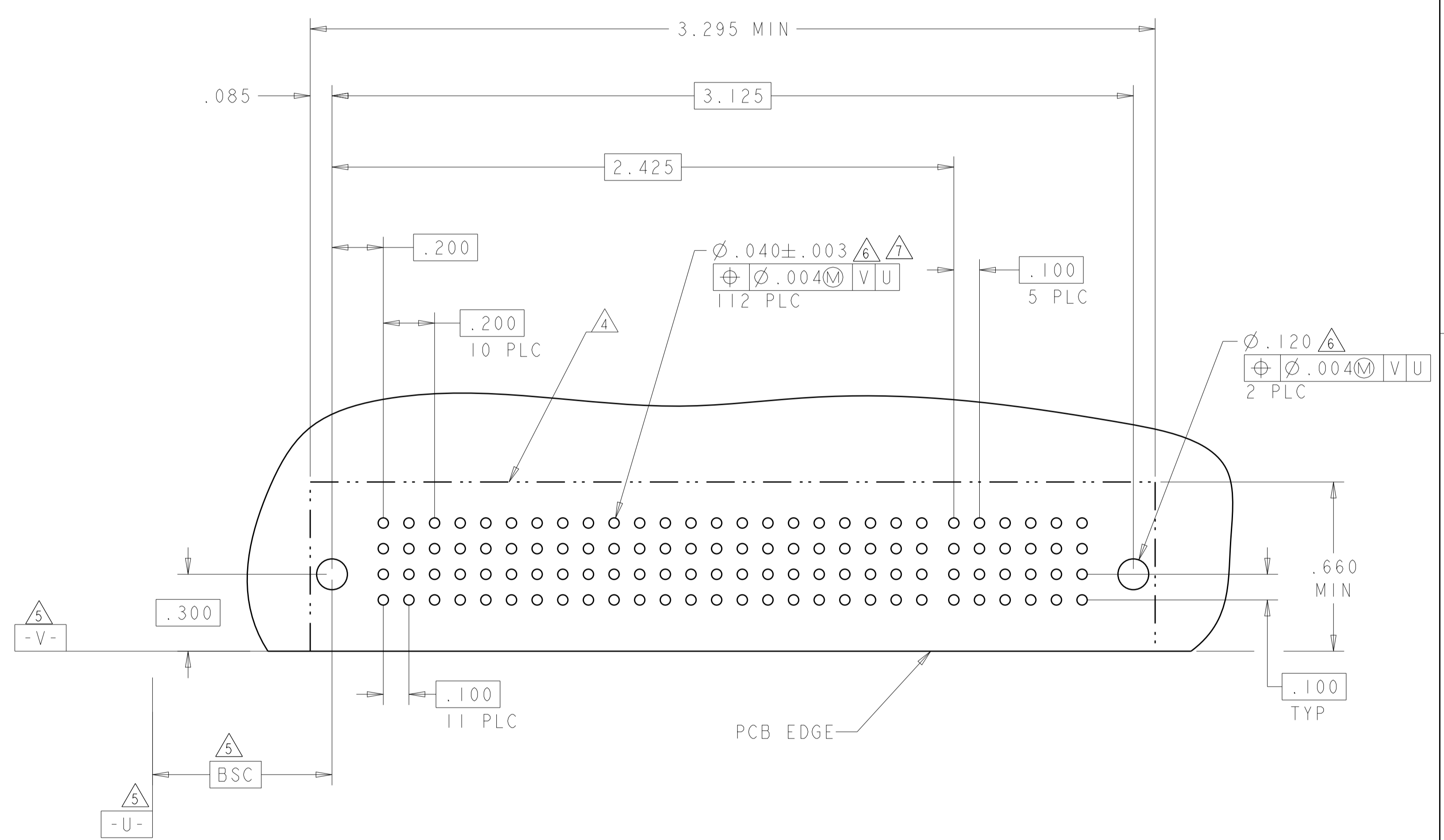
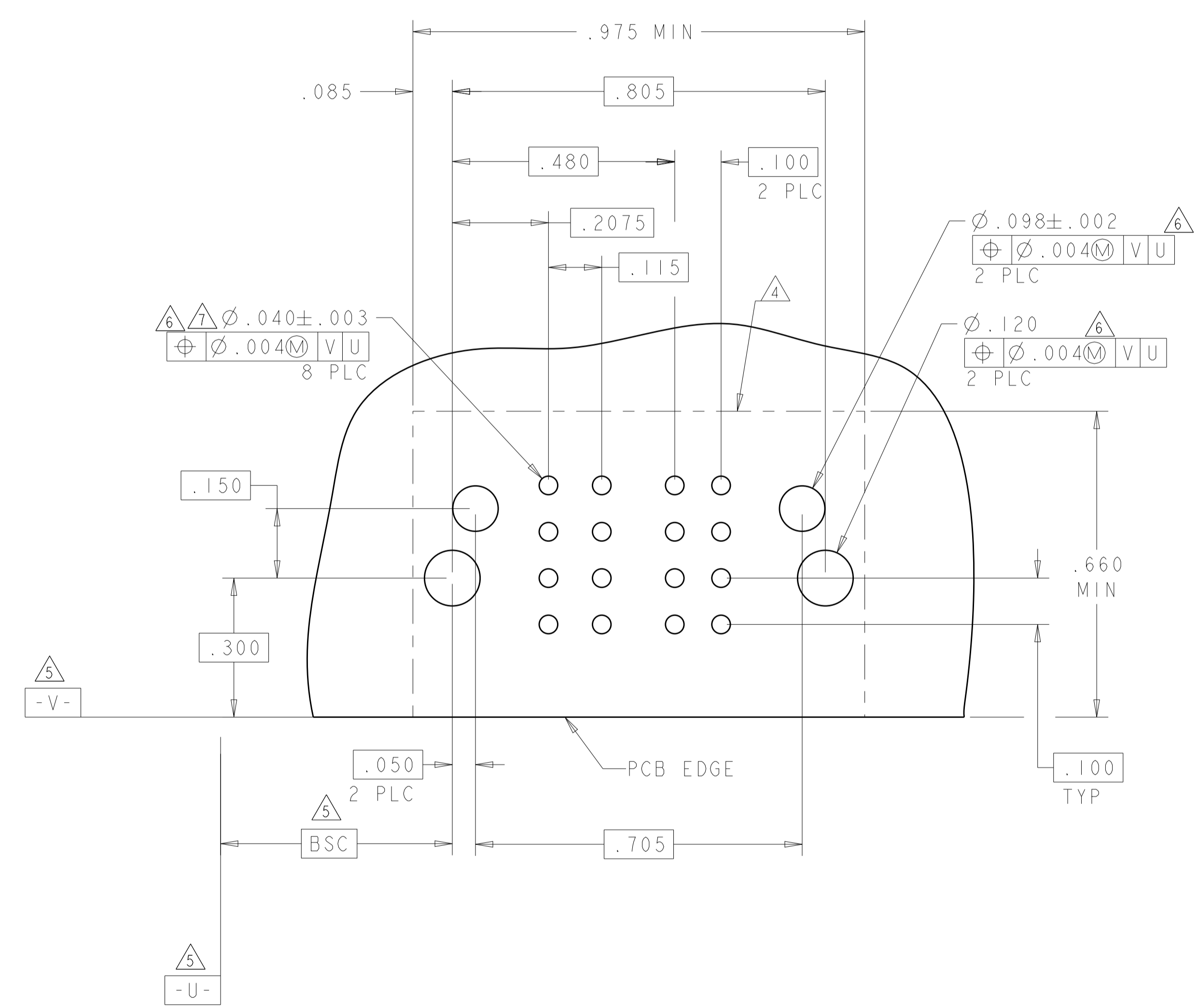
DIMENSIONS: INCHES	TOLERANCES UNLESS OTHERWISE SPECIFIED: 0 PLC ±. 2 PLC ±.01 3 PLC ±.005 4 PLC ±.0020 ANGLES ±.7°	DMN: H.LIU 27MAY2008 CHK: S.ZHAO 27MAY2008 APVD: S.ZHAO	NAME: R/A HEADER WITH SHORT GUIDES AND LP CONTACTS ASSEMBLY MULTI-BEAM XLE
MATERIAL:	FINISH:	PRODUCT SPEC: 108-2292 APPLICATION SPEC: 114-13251 WEIGHT: -	SIZE: A1 CAGE CODE: 6450832 DRAWING NO: 100779
CUSTOMER DRAWING		SCALE: 4:1	SHEET 16 OF 24 REV: K6

4805 (3/11)

LOC	DIST	REVISIONS			
P	LTN	DESCRIPTION	DATE	DMN	APVD
-	-	SEE SHEET 1	-	-	-

PART NUMBER	ROWS	POWER		SIGNAL	
		P1	P2	1	2
3-6450832-1	D	LM	LM	J	J
	C			N	N
	B			S	S
	A				
		HD		HD	
2LP + 8S					

PART NUMBER	ROWS	POWER										SIGNAL					
		P1	P2	P3	P4	P5	P6	P7	P8	P9	P10	P11	1	2	3	4	5
3-6450832-2	D	TM	TM	TM	TM	TM	TM	TM	TM	TM	TM	J	J	J	J	J	E
	C											K	K	K	K	F	
	B											N	N	N	N	N	
	A											S	S	S	S	S	
		HD															
11HDP + 24S																	



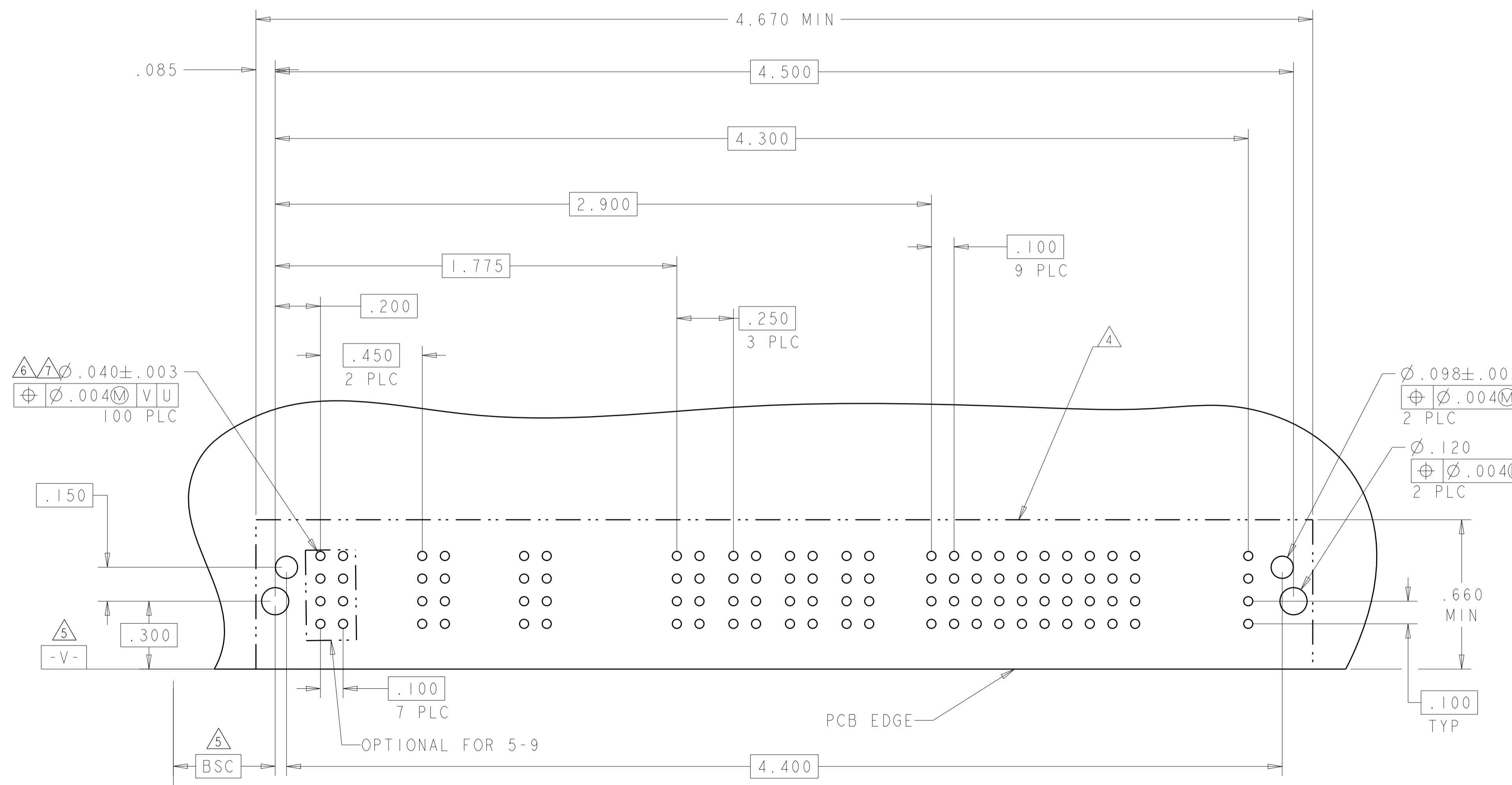
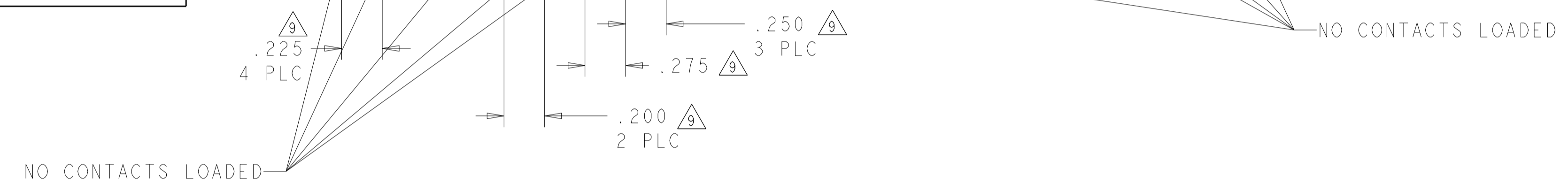
THIS DRAWING IS A CONTROLLED DOCUMENT.		DMN	H.LIU	27MAY2008	TE Connectivity
DIMENSIONS: INCHES		CHK	S.ZHAO	27MAY2008	
TOLERANCES UNLESS OTHERWISE SPECIFIED:		APVD	S.ZHAO		NAME
0 PLC	±	PRODUCT SPEC		R/A HEADER WITH SHORT GUIDES AND LP CONTACTS ASSEMBLY	
1 PLC	±.01	APPLICATION SPEC		MULTI-BEAM XLE	
2 PLC	±.05	CAGE CODE DRAWING NO		A100779	
3 PLC	±.0020	DRAWING NO		C=6450832	
4 PLC	±.0020	RESTRICTED TO			
ANGLES	±.0020	SCALE		4:1	
FINISH		SHEET		17 OF 24	
MATERIAL		WEIGHT		REV	
CUSTOMER DRAWING		SCALE		K6	

LOC	DIST	REVISIONS			
P	LTH	DESCRIPTION	DATE	DMN	APVD
-	-	SEE SHEET 1	-	-	-

ASSY PART NUMBER	ROWS	POWER										SIGNAL																	
		P1	P2	P3	P4	P5	P6	P7	P8	P9	P10	P11	1	2	3	4	5	6	7	8	9	10	11	12	13	14	15	16	
3-6450832-3	DCBA	TM	TM	TM					TM	TM	TM	TM	J	J	J	J	J	J	J	J	J	J	J						J
													N	N	N	N	N	N	N	N	N	N	N						K
														S	S	S	S	S	S	S	S	S	S	S					



ASSY PART NUMBER	ROWS	POWER										SIGNAL																	
		P1	P2	P3	P4	P5	P6	P7	P8	P9	P10	P11	1	2	3	4	5	6	7	8	9	10	11	12	13	14	15	16	
5-6450832-9	DCBA		TM	TM					TM	TM	TM	TM	J	J	J	J	J	J	J	J	J	J	J						J
													N	N	N	N	N	N	N	N	N	N	N						K
														S	S	S	S	S	S	S	S	S	S	S					



RECOMMEND PCB LAYOUT FOR 3-6450332-3 AND 5-6450832-9

THIS DRAWING IS A CONTROLLED DOCUMENT.		DMN: H.LIU 27MAY2008	TE Connectivity
DIMENSIONS: INCHES		CHK: S.ZHAO 27MAY2008	
DIMENSIONS: INCHES 0 PLC ±. 2 PLC ±.01 3 PLC ±.005 4 PLC ±.0020 ANGLES ±.2°		TOLERANCES UNLESS OTHERWISE SPECIFIED: APVD: S.ZHAO PRODUCT SPEC: 108-2292 APPLICATION SPEC: 114-13251 WEIGHT: -	NAME: R/A HEADER WITH SHORT GUIDES AND LP CONTACTS ASSEMBLY MULTI-BEAM XLE SIZE: A100779 CAGE CODE: 6450832 CUSTOMER DRAWING
MATERIAL: -		FINISH: -	RESTRICTED TO: - SCALE: 4:1 SHEET 18 OF 24 REV: K6

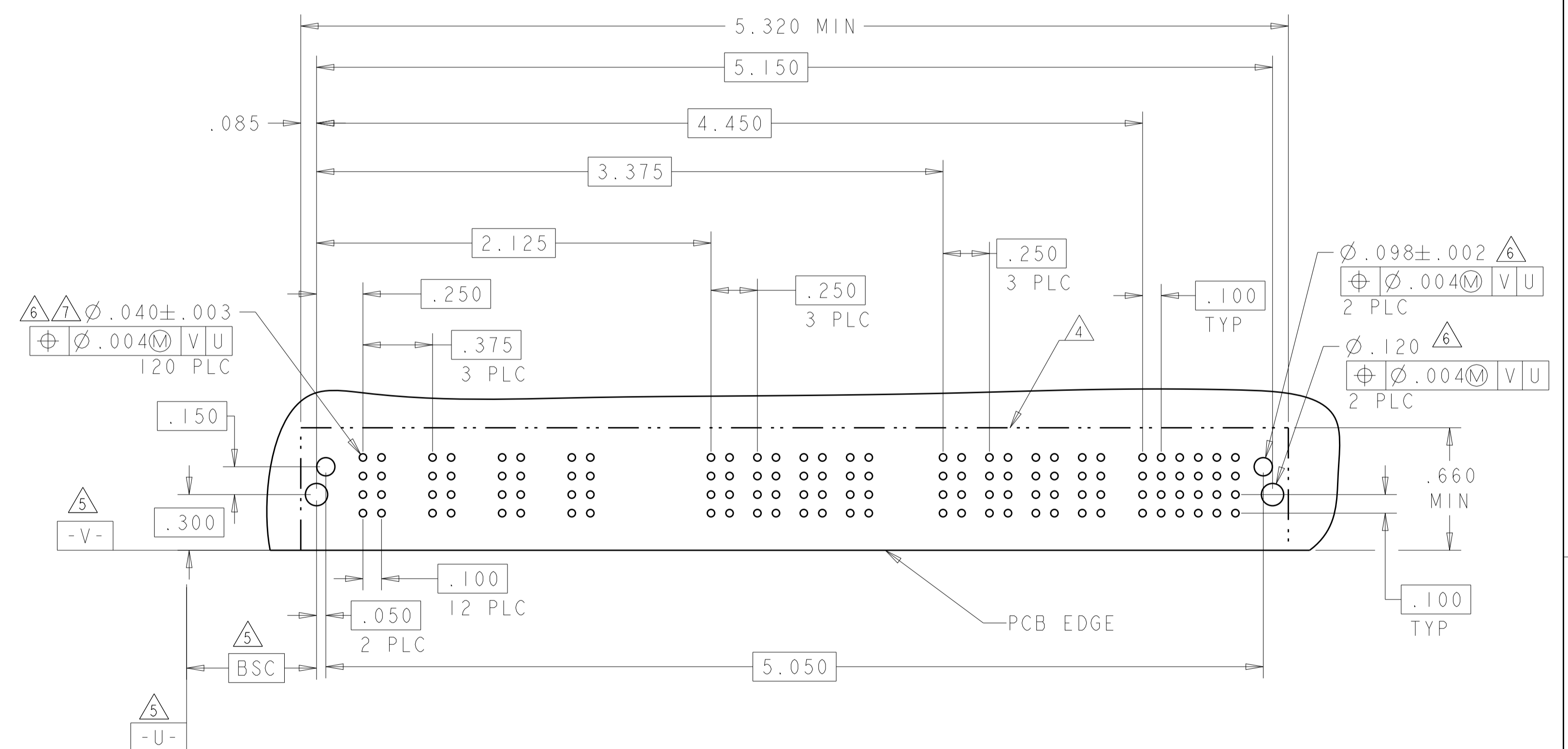
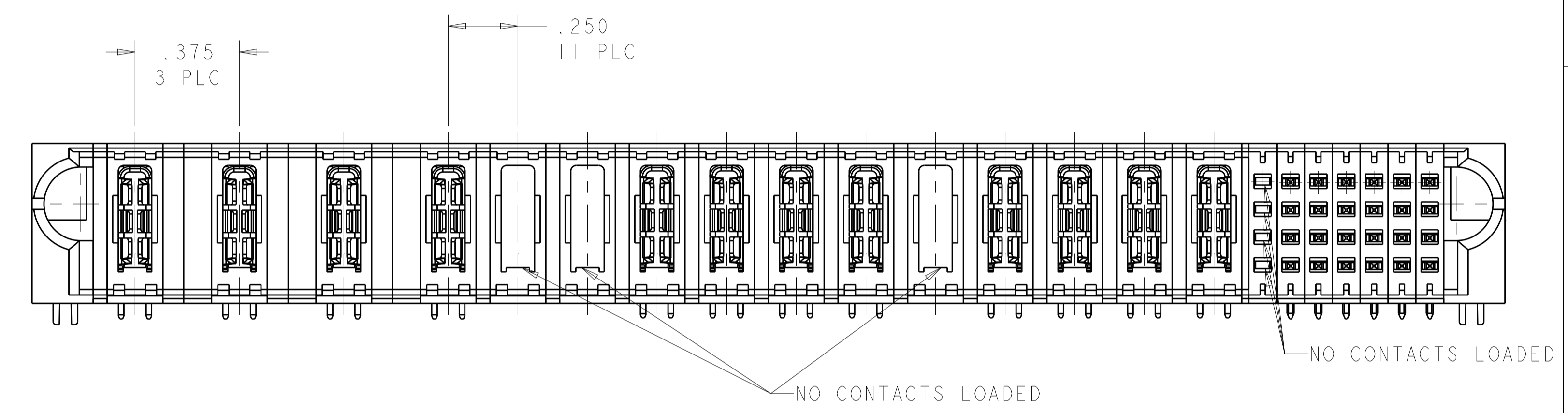
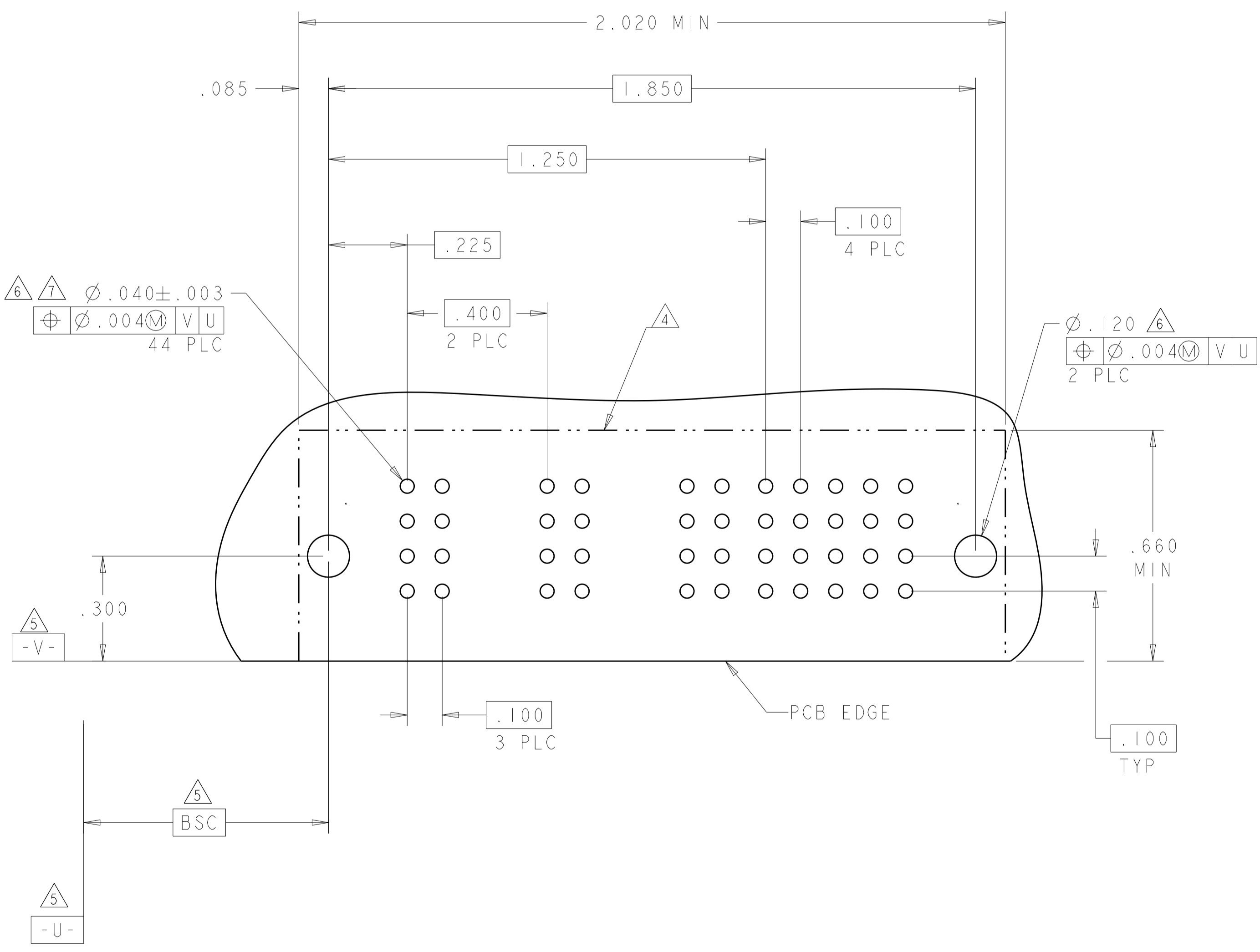
LOC		DIST		REVISIONS			
P	LTN	DESCRIPTION	DATE	DMN	APVD		
-		SEE SHEET 1					

PART NUMBER	ROWS	POWER					SIGNAL				
		P1	P2	P3	P4	P5	1	2	3	4	5
3-6450832-5	D	TM	TM	TM	TM	J	J	J	J	J	
	C					K	K	K	K	K	
	B					N	N	N	N	N	
	A					H	H	S	S	S	

5HDP + 20S  
NO CONTACTS LOADED

PART NUMBER	ROWS	POWER															SIGNAL														
		P1	P2	P3	P4	P5	P6	P7	P8	P9	P10	P11	P12	P13	P14	P15	1	2	3	4	5	6	7								
3-6450832-6	D	TM	TM	TM	TM	TM	TM	TM	TM	TM	TM	TM	TM	TM	TM	TM	TM	TM	TM	TM	TM	TM	TM	TM	TM	E	E	E	E	E	E
	C																									F	F	F	K	K	K
	B																									N	N	N	N	N	N
	A																									H	H	H	H	H	H

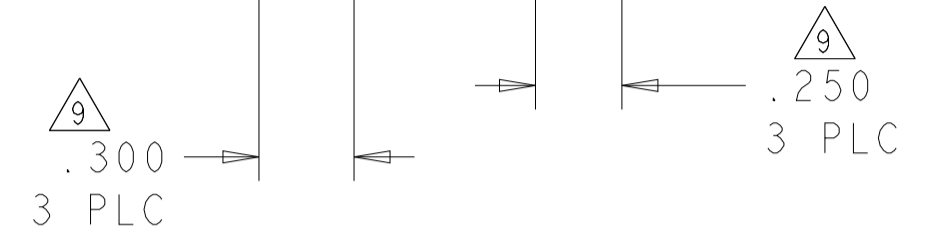
15P + 28S  
NO CONTACTS LOADED



THIS DRAWING IS A CONTROLLED DOCUMENT.		DMN: H.LIU 27MAY2008	 TE Connectivity
DIMENSIONS: INCHES		CHK: S.ZHAO 27MAY2008	
TOLERANCES UNLESS OTHERWISE SPECIFIED:		APVD: S.ZHAO	
0 PLC ±. 1 PLC ±. 2 PLC ±.01 3 PLC ±.01 4 PLC ±.005 5 PLC ±.0020 ANGLES ±.020		NAME: R/A HEADER WITH SHORT GUIDES AND LP CONTACTS ASSEMBLY PRODUCT SPEC: 108-2292 APPLICATION SPEC: 114-13251 WEIGHT: - FINISH: -	
MATERIAL:	FINISH:	SIZE: A100779	CUSTOMER DRAWING SCALE: 4:1 SHEET: 19 OF 24 REV: K6

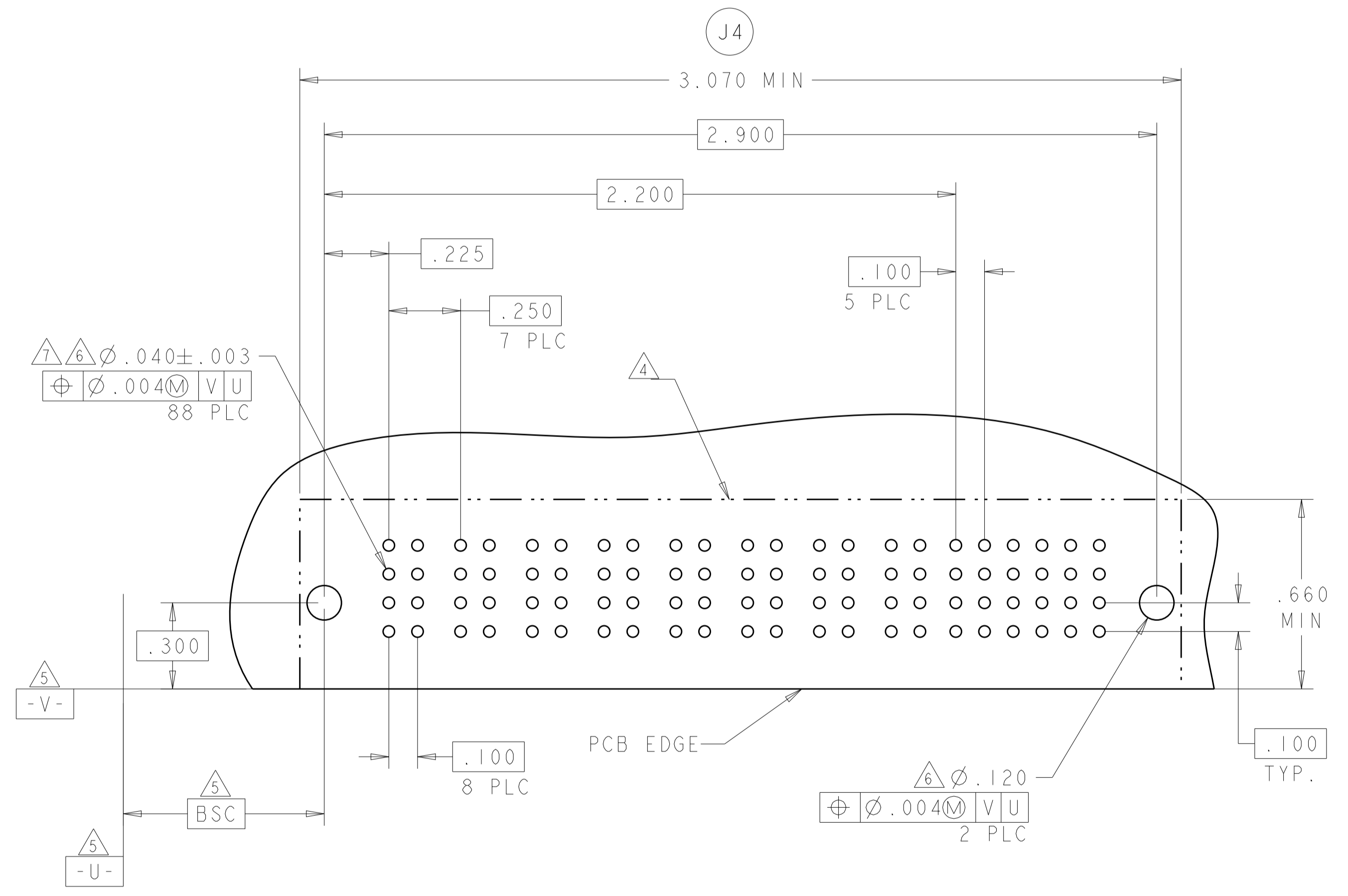
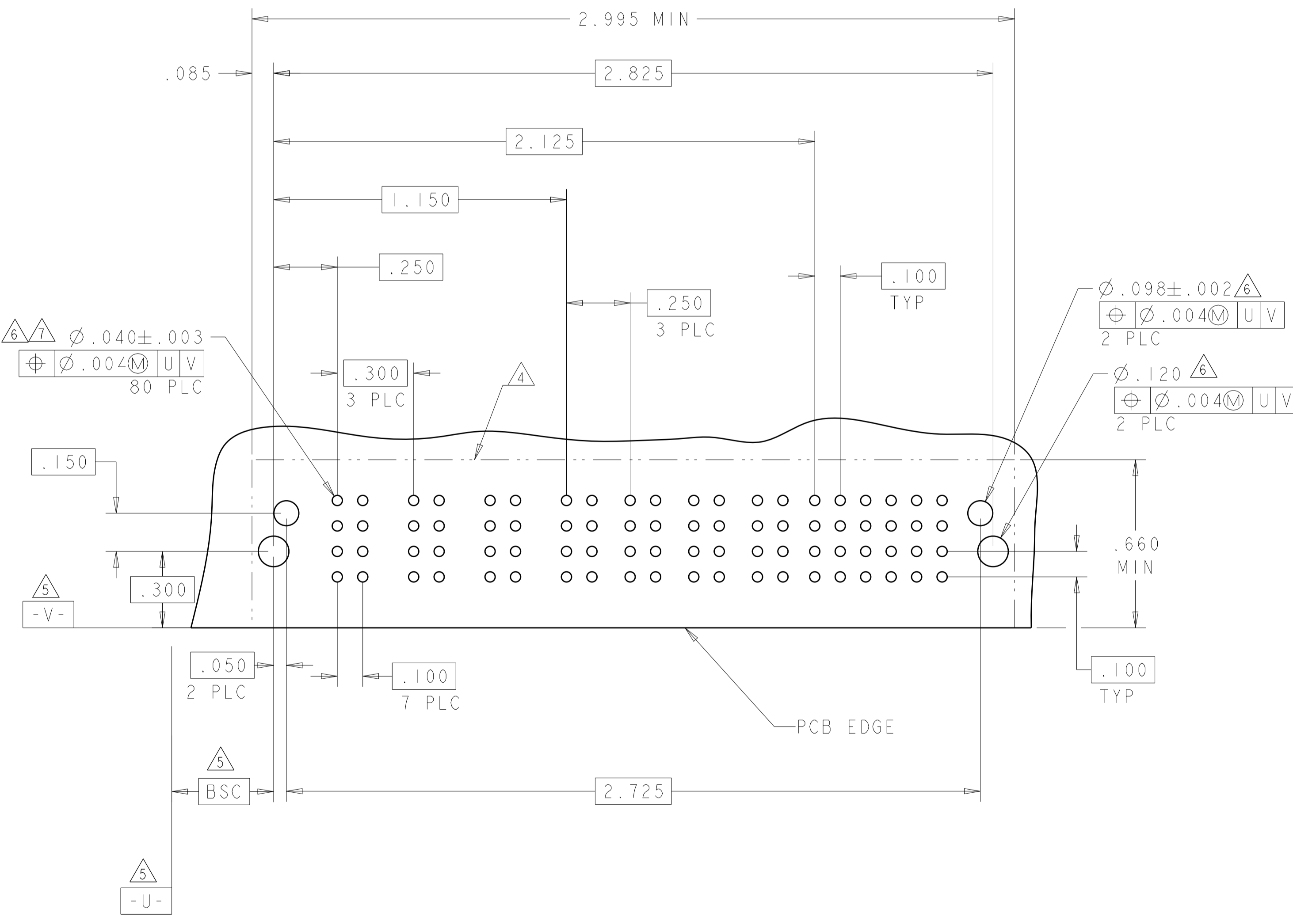
LOC		DIST		REVISIONS			
P	LTM	DESCRIPTION	DATE	OWN	APVD		
-	-	SEE SHEET 1	-	-	-		

PART NUMBER	ROWS	POWER							SIGNAL					
		P1	P2	P3	P4	P5	P6	P7	1	2	3	4	5	6
3-6450832-8	D	TM	TM	TM	TM	TM	TM	TM	E	E	J	J	J	E
	C								K	F	F	F	K	F
	B								N	G	G	G	N	G
A	HD								S	H	S	S	H	H



PART NUMBER	ROWS	POWER								SIGNAL					
		P1	P2	P3	P4	P5	P6	P7	P8	1	2	3	4	5	6
3-6450832-9	D	TM	TM	TM	TM	TM	TM	TM	TM	J	J	E	J	J	E
	C									K	K	K	K	K	K
	B									N	N	G	G	G	G
	A	HD								S	S	S	S	S	S

8HDP + 24S



THIS DRAWING IS A CONTROLLED DOCUMENT.		OWN: H.LIU 27MAY2008	TE Connectivity
DIMENSIONS: INCHES		CHK: S.ZHAO 27MAY2008	
TOLERANCES UNLESS OTHERWISE SPECIFIED: 0 PLC ± 1 PLC ±.01 2 PLC ±.01 3 PLC ±.005 4 PLC ±.0020 ANGLES ±.020		APVD: S.ZHAO PRODUCT SPEC: 108-2292 APPLICATION SPEC: 114-13251 WEIGHT: - CUSTOMER DRAWING	
MATERIAL FINISH		NAME: R/A HEADER WITH SHORT GUIDES AND LP CONTACTS ASSEMBLY MULTI-BEAM XLE SIZE: A100779 CAGE CODE: C=6450832 SCALE: 4:1 SHEET 20 OF 24 REV K6	RESTRICTED TO

LOC	DIST	REVISIONS			
P	LTN	DESCRIPTION	DATE	DMN	APVD
-	-	SEE SHEET 1	-	-	-

PART NUMBER	ROWS	POWER			SIGNAL
		P1	P2	P3	I
4-6450832-0	D	TM	TM	TM	J
	C				K
	B				N
	A				S

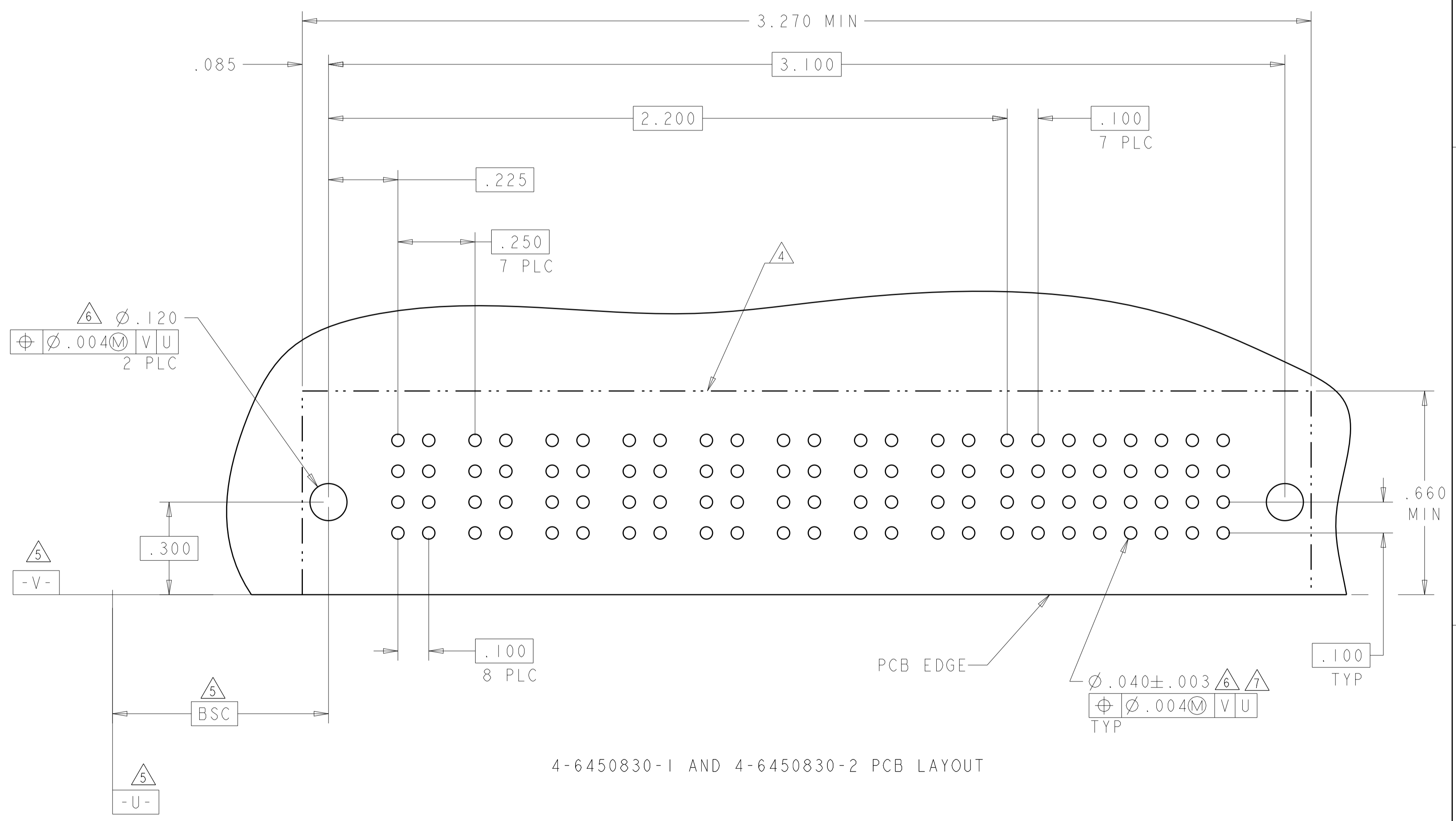
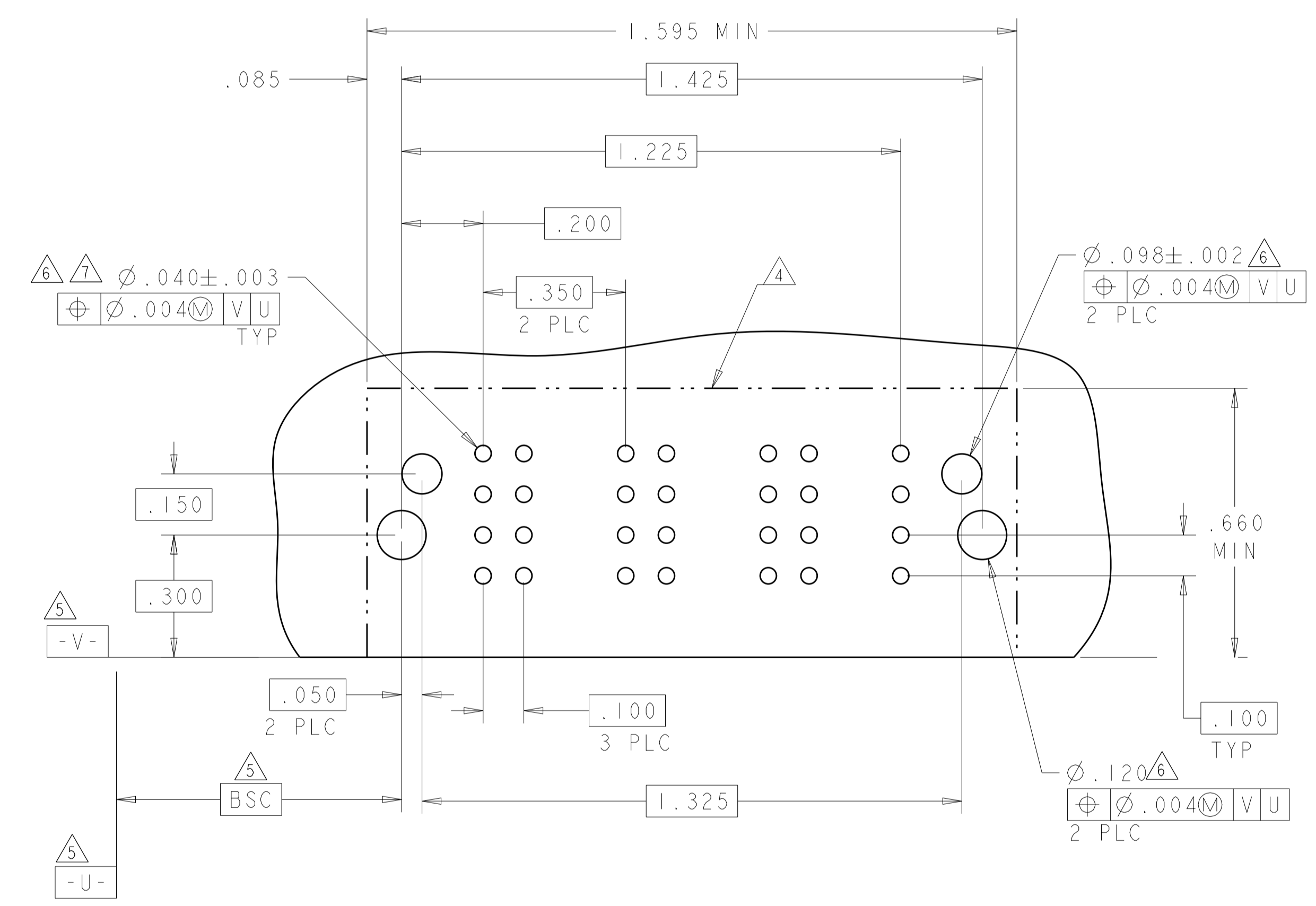
3P + 4S

PART NUMBER	ROWS	POWER								SIGNAL										
		P1	P2	P3	P4	P5	P6	P7	P8	1	2	3	4	5	6	7	8			
4-6450832-1	D	TM	TM	TM	TM	TM	TM	TM	TM	J	J	J	J	J	J	J	J			
	C									K	K	K	K	K	K	K	K	K	K	
	B									N	N	N	N	N	N	N	N	N	N	N
	A									S	S	S	S	S	S	S	S	S	S	S

8P + 32S

PART NUMBER	ROWS	POWER								SIGNAL							
		P1	P2	P3	P4	P5	P6	P7	P8	1	2	3	4	5	6	7	8
4-6450832-2	D	TM	TM	TM	TM	TM	TM	TM	TM	J	J	J	J	J	J	J	J
	C									K	K	K	F	K	K	K	
	B									N	N	N	N	N	N	N	
	A									S	S	S	S	S	S	S	

8P + 32S



4-6450830-1 AND 4-6450830-2 PCB LAYOUT

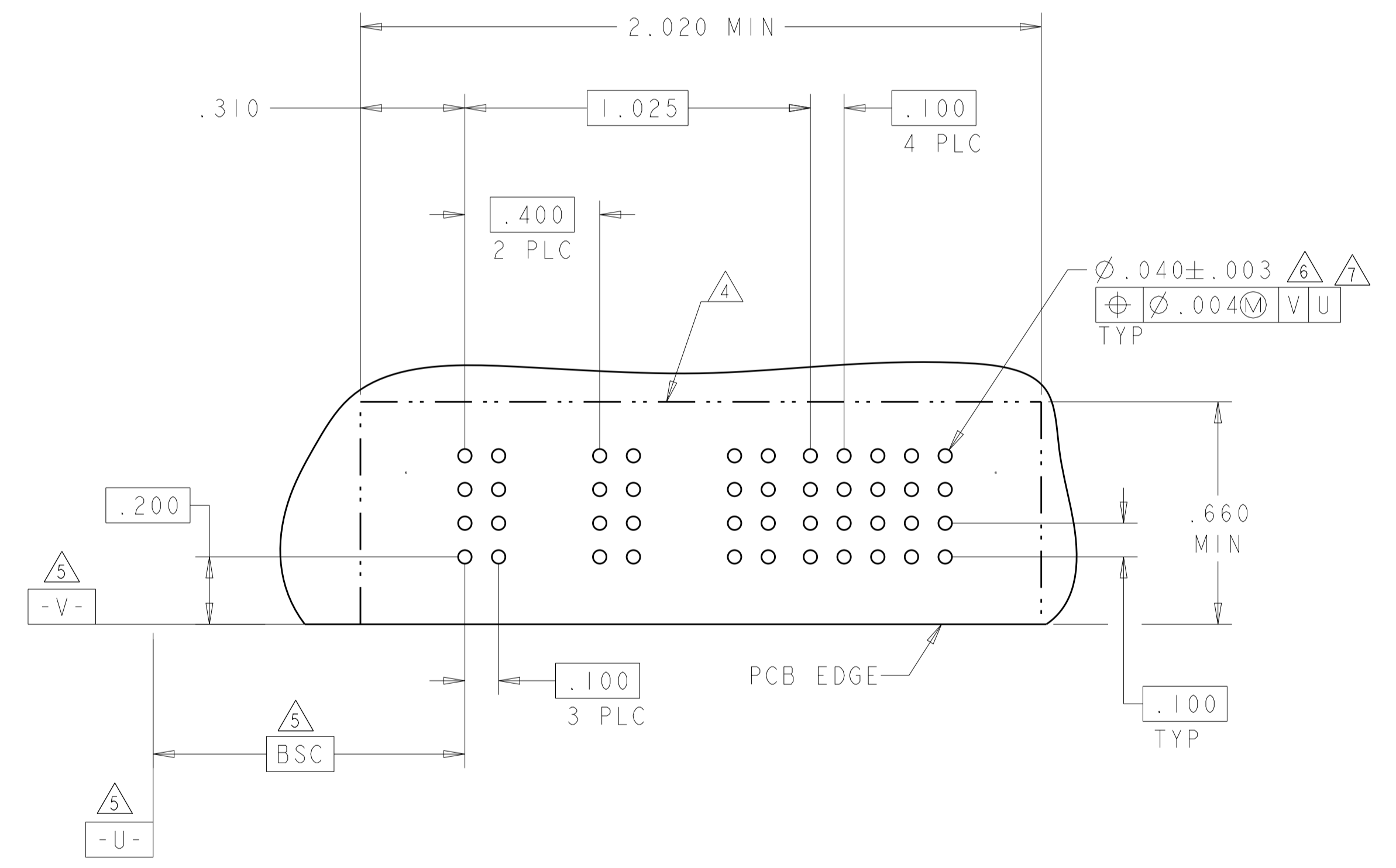
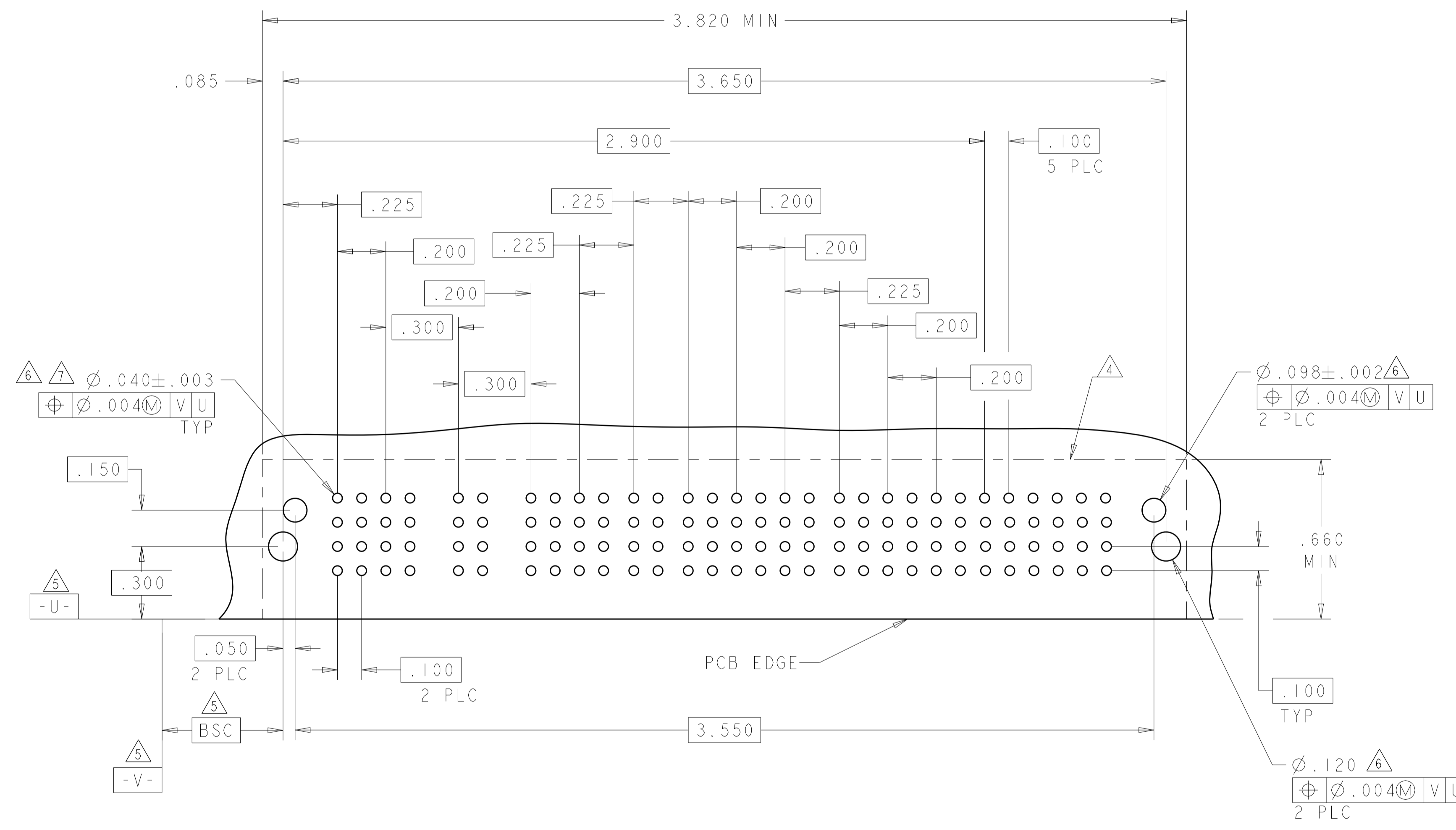
THIS DRAWING IS A CONTROLLED DOCUMENT.		DMN: H.LIU 27MAY2008	TE Connectivity
DIMENSIONS: INCHES		CHK: S.ZHAO 27MAY2008	
TOLERANCES UNLESS OTHERWISE SPECIFIED:		APVD: S.ZHAO	NAME: R/A HEADER WITH SHORT GUIDES AND LP CONTACTS ASSEMBLY MULTI-BEAM XLE
0 PLC ±.01		PRODUCT SPEC: 108-2292	SIZE: 114-13251
1 PLC ±.01		APPLICATION SPEC: 114-13251	RESTRICTED TO: -
2 PLC ±.005		WEIGHT: -	SCALE: 4:1
3 PLC ±.0020		CUSTOMER DRAWING	SHEET 21 OF 24
ANGLES ±.0020		REV: K6	
FINISH: -			

LOC	DIST	REV	DATE	BY	APPD
		1			
		2			

PART NUMBER	ROWS	POWER												SIGNAL					
		P1	P2	P3	P4	P5	P6	P7	P8	P9	P10	P11	P12	1	2	3	4	5	6
4-6450832-3	D													E	E	J	J	E	E
	C													K	F	K	K	K	K
	B	TM	TM	TM	TM	TM	TM	TM	TM	TM	TM	TM	TM	N	G	N	G	G	G
	A	HD												S	S	S	S	S	S

PART NUMBER	ROWS	POWER					SIGNAL				
		P1	P2	P3	P4	P5	1	2	3	4	5
4-6450832-4	D						J	J	J	J	J
	C						K	K	K	K	K
	B	TM	TM	TM	TM	TM	N	N	N	N	N
	A						H	H	S	S	S

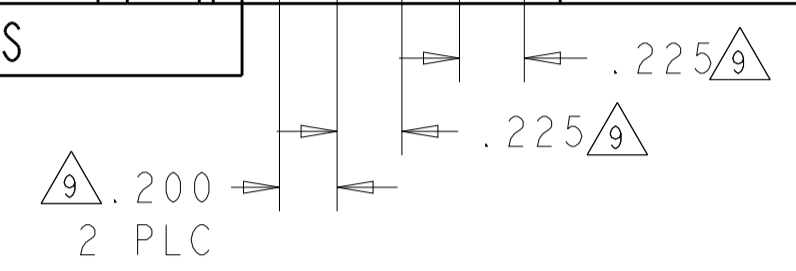
NO CONTACTS LOADED



THIS DRAWING IS A CONTROLLED DOCUMENT.		OWN: H. LIU 27MAY2008	
DIMENSIONS: INCHES		CHK: S. ZHAO 27MAY2008	
TOLERANCES UNLESS OTHERWISE SPECIFIED:		APVD: S. ZHAO	NAME: R/A HEADER WITH SHORT GUIDES AND LP CONTACTS ASSEMBLY MULTI-BEAM XLE
0 PLC ±.01		PRODUCT SPEC: 108-2292	SIZE: A1
1 PLC ±.01		APPLICATION SPEC: 114-13251	CAGE CODE: C=6450832
2 PLC ±.01		WEIGHT: -	RESTRICTED TO: -
3 PLC ±.005		CUSTOMER DRAWING	SCALE: 4:1
4 PLC ±.002			SHEET: 22 OF 24
ANGLES: ±0.20°			REV: K6

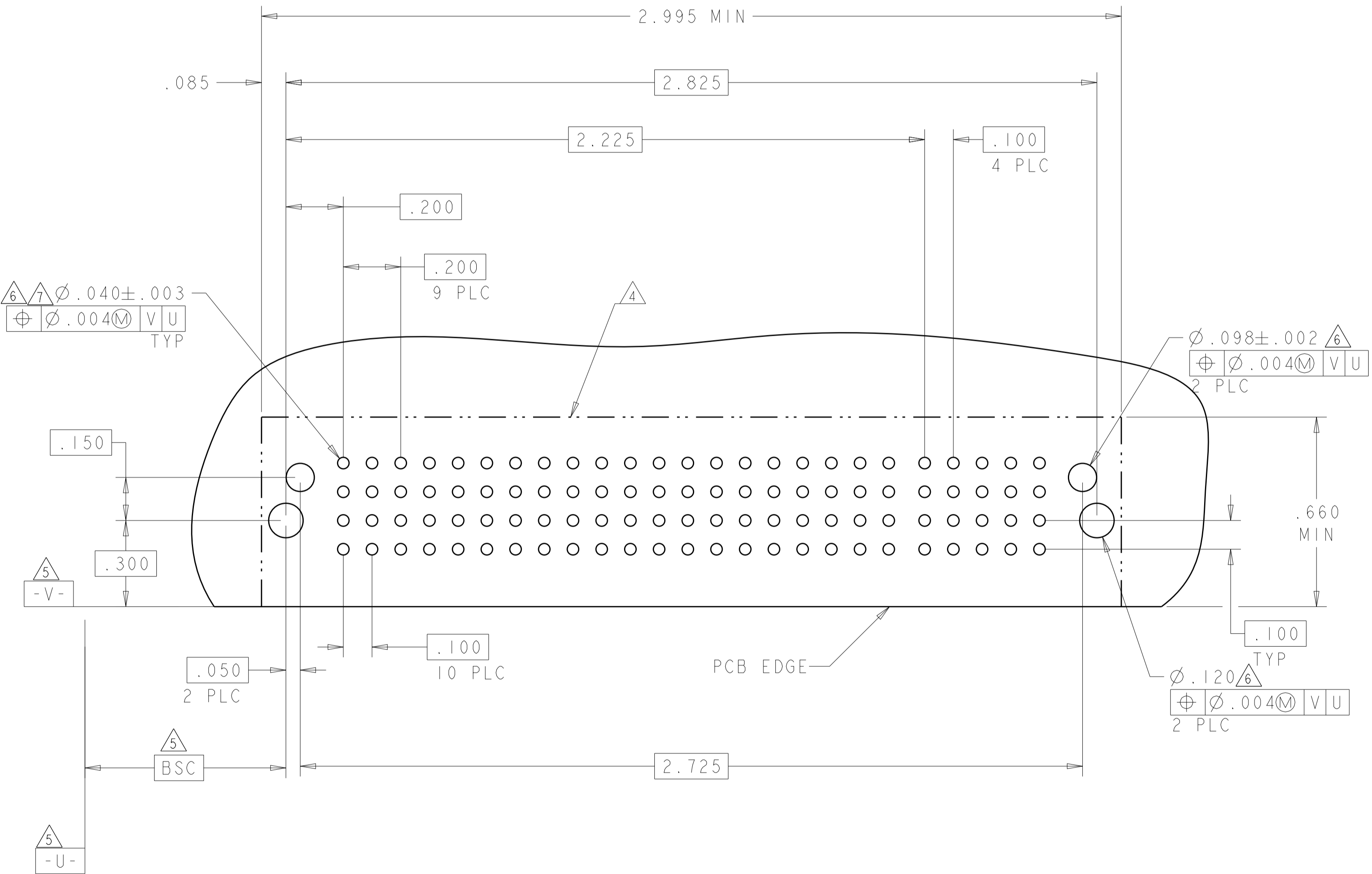
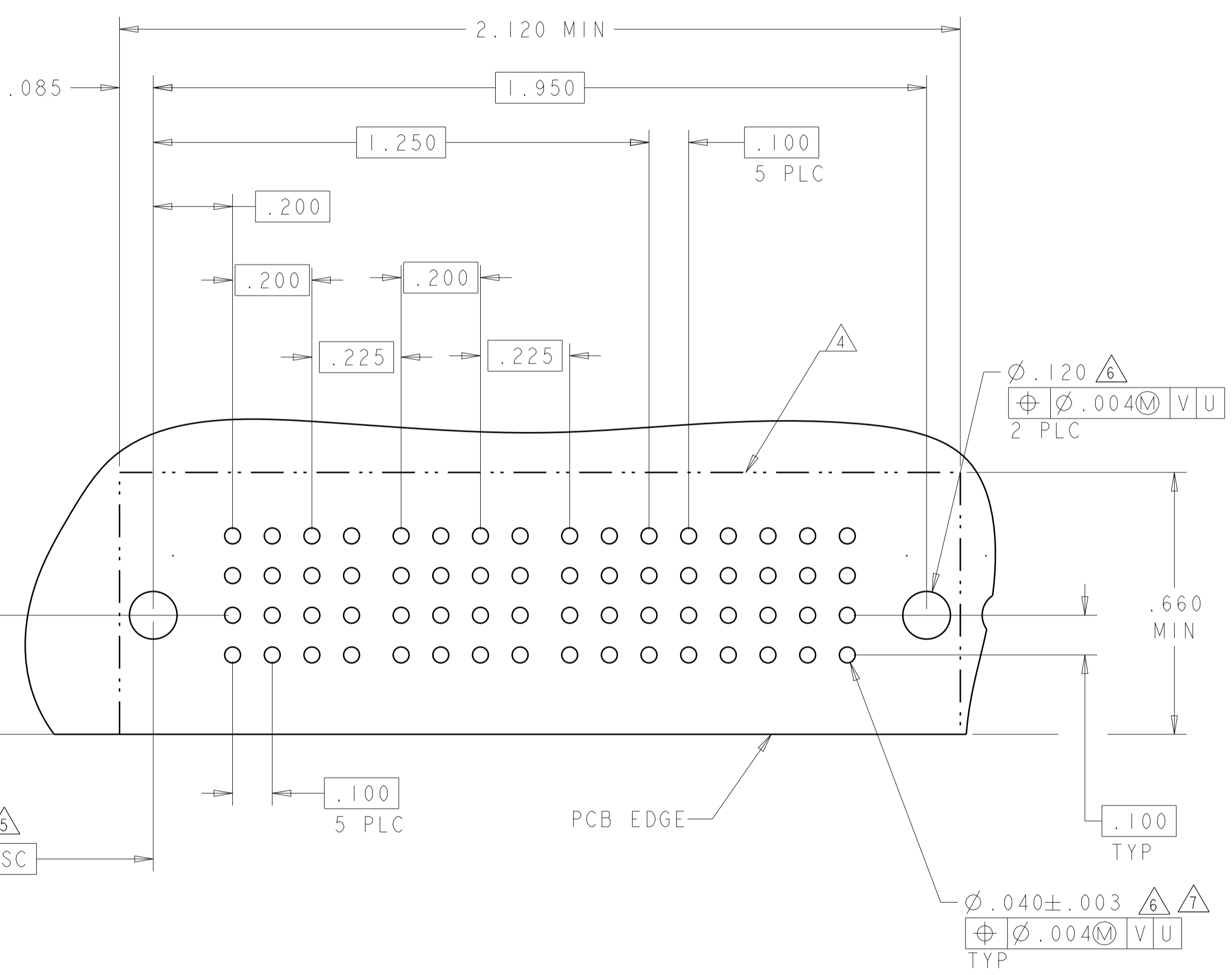
LOC	DIST	REVISIONS			
P	LTM	DESCRIPTION	DATE	DWN	APVD
-	-	SEE SHEET 1	-	-	-

PART NUMBER	ROWS	POWER					SIGNAL					
		P1	P2	P3	P4	P5	1	2	3	4	5	6
4-6450832-5	D	TM	TM	TM	TM	TM	J	J	J	J	J	J
	C	TM	TM	TM	TM	TM	K	K	K	K	K	K
	B	TM	TM	TM	TM	TM	N	N	N	N	N	N
	A	TM	TM	TM	TM	TM	S	S	S	S	S	S



PART NUMBER	ROWS	POWER										SIGNAL				
		P1	P2	P3	P4	P5	P6	P7	P8	P9	P10	1	2	3	4	5
4-6450832-6	D	TM	TM	TM	TM	TM	TM	TM	TM	TM	TM	J	J	J	J	E
	C	TM	TM	TM	TM	TM	TM	TM	TM	TM	TM	K	K	K	K	F
	B	TM	TM	TM	TM	TM	TM	TM	TM	TM	TM	N	N	N	N	G
	A	TM	TM	TM	TM	TM	TM	TM	TM	TM	TM	S	S	S	S	H

10HDP + 20S



THIS DRAWING IS A CONTROLLED DOCUMENT.

DIMENSIONS:	TOLERANCES UNLESS OTHERWISE SPECIFIED:	DWN	H. LIU	27MAY2008
INCHES	0 PLC ±.01	CHK	S. ZHAO	27MAY2008
	1 PLC ±.01	APVD	S. ZHAO	
	2 PLC ±.01	NAME	R/A HEADER WITH SHORT GUIDES AND LP CONTACTS ASSEMBLY	
	3 PLC ±.01	PRODUCT SPEC	108-2292	
	4 PLC ±.005	APPLICATION SPEC	MULTI-BEAM XLE	
	5 PLC ±.002	SIZE	CAGE CODE	DRAWING NO
	ANGLES ±.020	114-13251	A100779	C=6450832
MATERIAL	FINISH	WEIGHT	RESTRICTED TO	
			CUSTOMER DRAWING	

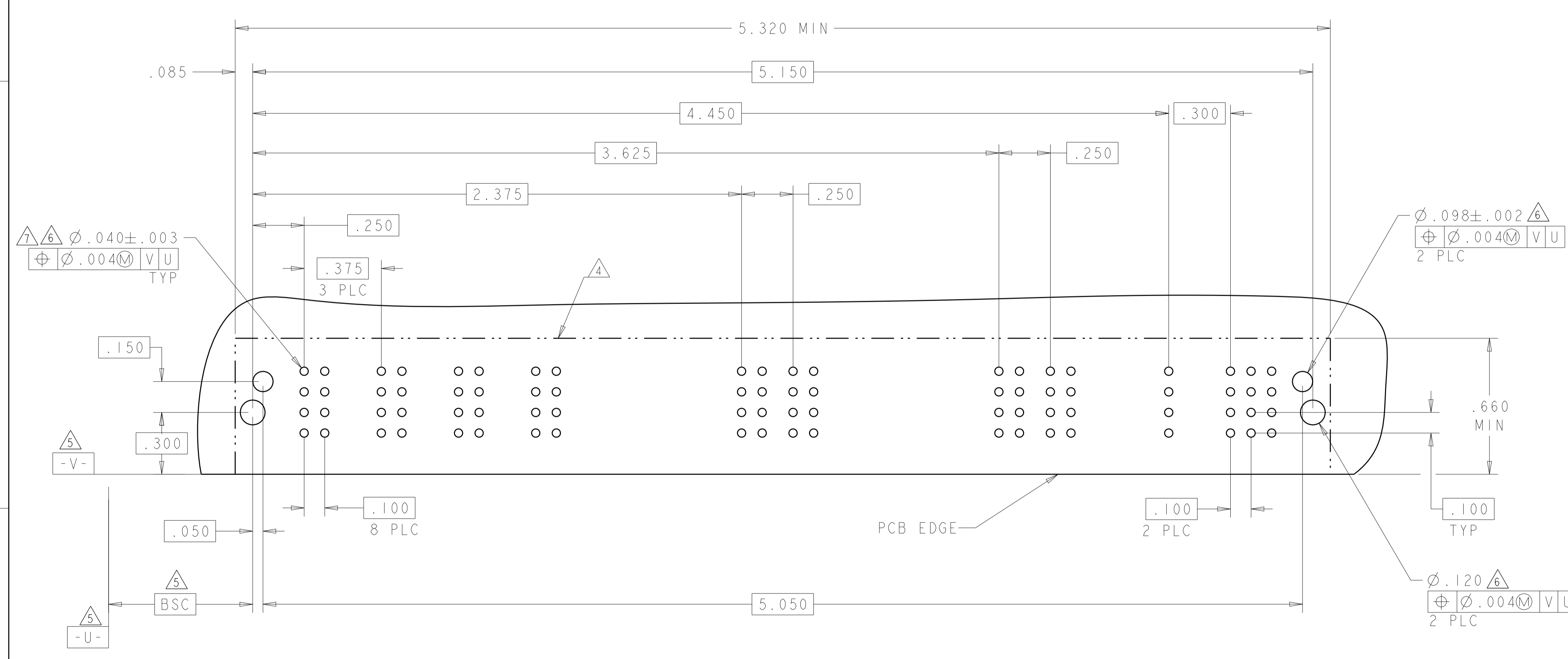
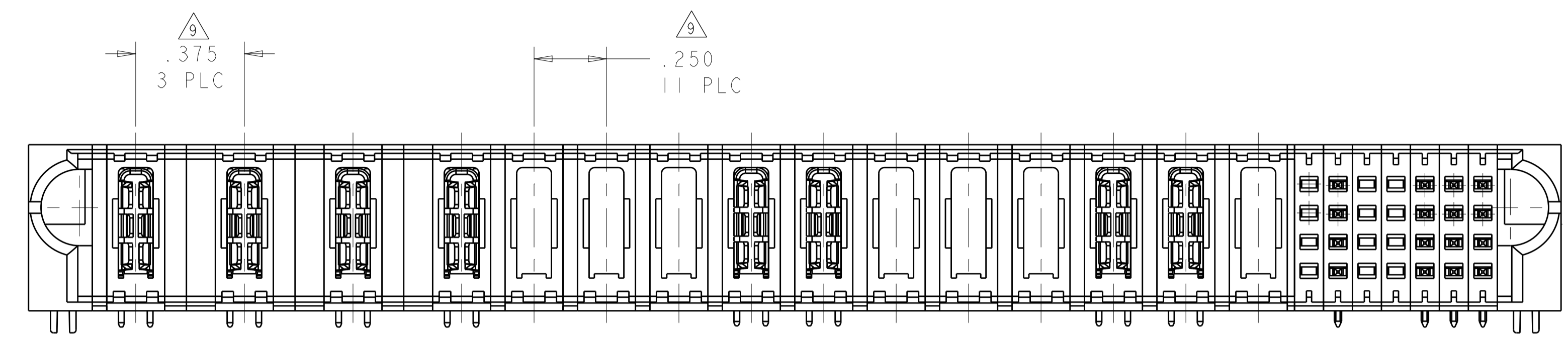
SCALE 4:1 SHEET 23 OF 24 REV K6



LOC	DIST	REVISIONS					
		P	LTM	DESCRIPTION	DATE	DWN	APVD
		-		SEE SHEET 1		-	-

PART NUMBER	ROWS	POWER															SIGNAL							
		P1	P2	P3	P4	P5	P6	P7	P8	P9	P10	P11	P12	P13	P14	P15	1	2	3	4	5	6	7	
4-6450832-7	D															-	J	-	-	J	J	J		
	C															-	K	-	-	K	K	K		
	B	TM	TM	TM	TM	-	-	-	TM	TM	-	-	-	TM	TM	-	-	G	-	-	G	G	G	
	A															-	H	-	-	H	H	H		
15P + 28S																								

- NO CONTACTS LOADED



THIS DRAWING IS A CONTROLLED DOCUMENT.		DWN: H.LIU 27MAY2008															
DIMENSIONS: INCHES		CHK: S.ZHAO 27MAY2008															
<table border="1"> <tr> <th>TOLERANCES UNLESS OTHERWISE SPECIFIED:</th> <th>FINISH</th> </tr> <tr> <td>0 PLC ±</td> <td></td> </tr> <tr> <td>1 PLC ±.01</td> <td></td> </tr> <tr> <td>2 PLC ±.01</td> <td></td> </tr> <tr> <td>3 PLC ±.005</td> <td></td> </tr> <tr> <td>4 PLC ±.002</td> <td></td> </tr> <tr> <td>ANGLES ±.2°</td> <td></td> </tr> </table>		TOLERANCES UNLESS OTHERWISE SPECIFIED:	FINISH	0 PLC ±		1 PLC ±.01		2 PLC ±.01		3 PLC ±.005		4 PLC ±.002		ANGLES ±.2°		NAME: R/A HEADER WITH SHORT GUIDES AND LP CONTACTS ASSEMBLY MULTI-BEAM XLE PRODUCT SPEC: 108-2292 APPLICATION SPEC: 114-13251 WEIGHT: - CUSTOMER DRAWING	SIZE: A1 CAGE CODE: 100779 DRAWING NO: 6450832 SCALE: 4:1 SHEET: 24 OF 24 REV: K6
TOLERANCES UNLESS OTHERWISE SPECIFIED:	FINISH																
0 PLC ±																	
1 PLC ±.01																	
2 PLC ±.01																	
3 PLC ±.005																	
4 PLC ±.002																	
ANGLES ±.2°																	