



Chipsmall Limited consists of a professional team with an average of over 10 year of expertise in the distribution of electronic components. Based in Hongkong, we have already established firm and mutual-benefit business relationships with customers from,Europe,America and south Asia,supplying obsolete and hard-to-find components to meet their specific needs.

With the principle of “Quality Parts,Customers Priority,Honest Operation,and Considerate Service”,our business mainly focus on the distribution of electronic components. Line cards we deal with include Microchip,ALPS,ROHM,Xilinx,Pulse,ON,Everlight and Freescale. Main products comprise IC,Modules,Potentiometer,IC Socket,Relay,Connector.Our parts cover such applications as commercial,industrial, and automotives areas.

We are looking forward to setting up business relationship with you and hope to provide you with the best service and solution. Let us make a better world for our industry!



Contact us

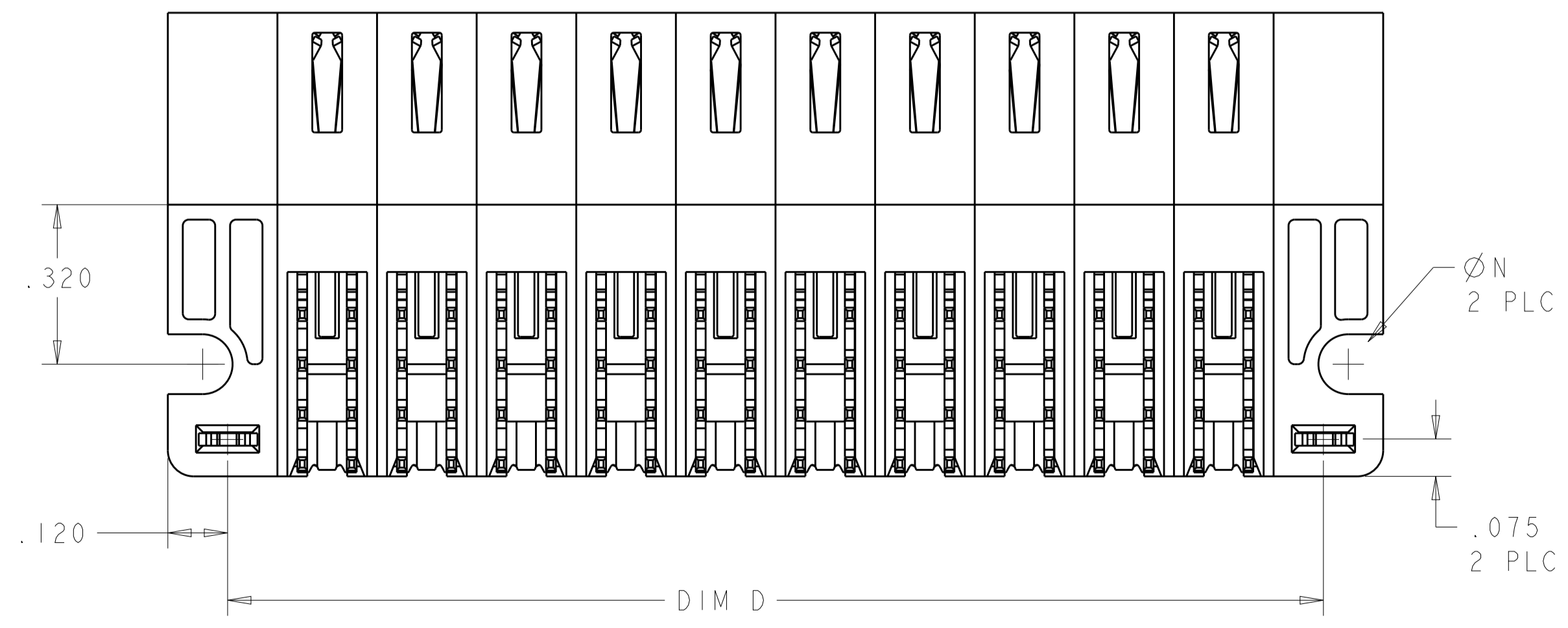
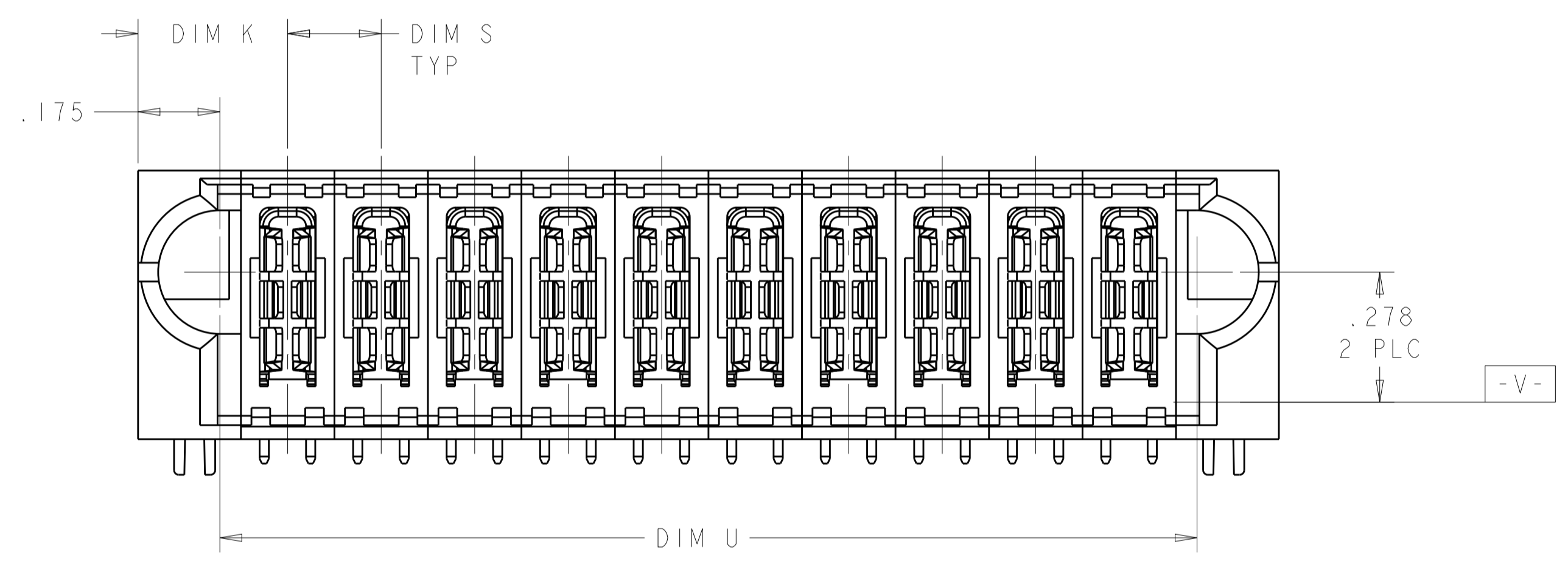
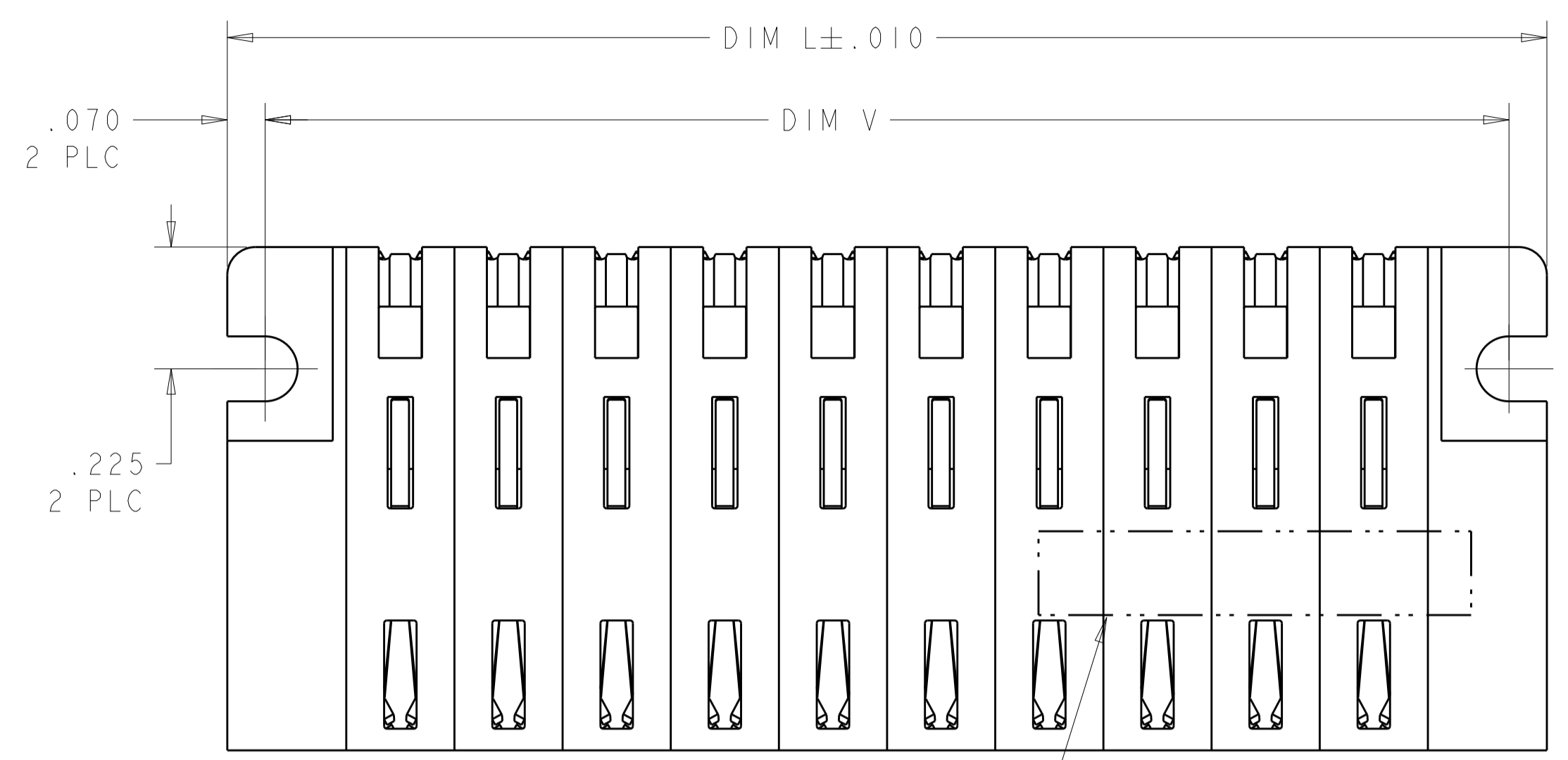
Tel: +86-755-8981 8866 Fax: +86-755-8427 6832

Email & Skype: info@chipsmall.com Web: www.chipsmall.com

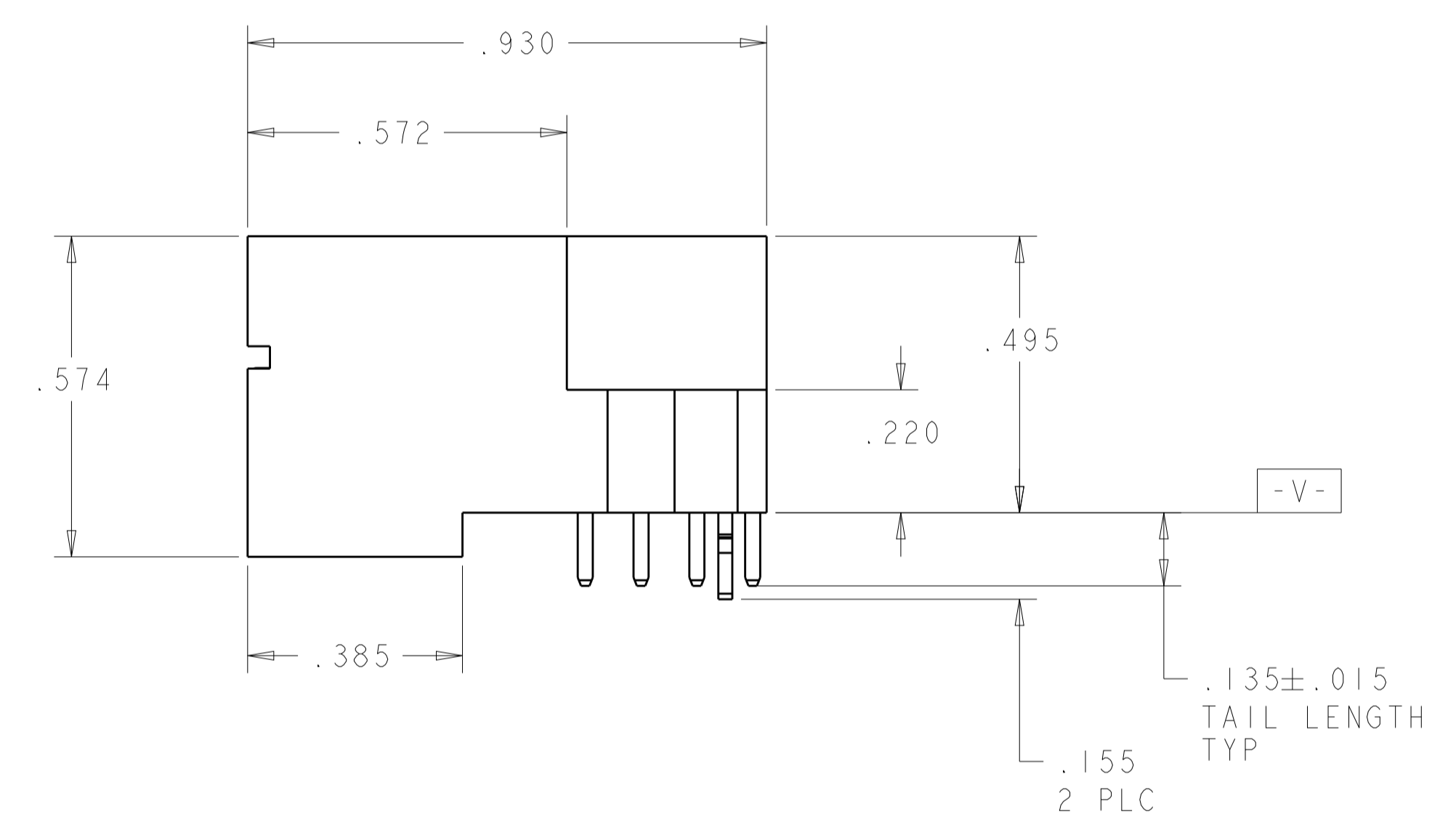
Address: A1208, Overseas Decoration Building, #122 Zhenhua RD., Futian, Shenzhen, China



LOC	DIST	REV	DESCRIPTION	DATE	DWN	APVD
ES	00					
		C7	CHANGE DIMENSIONS FOR 1-2	09MAY2014	AL	SZ



- ⚠ "AMP", PART NUMBER, AND DATECODE TO BE MARKED IN AREA SHOWN. PARTS UNDER 2.00 LONG MAY BE MARKED ON BOTH SIDES.
- ⚠ MATERIAL: HOUSING - GLASS FILLED HIGH TEMP THERMO PLASTIC, BLACK, UL94 V-0
 SIGNAL CONTACT - COPPER ALLOY
 POWER CONTACT - HIGH CONDUCTIVITY COPPER ALLOY)
- ⚠ CONTACT PLATING: NOBLE METAL PLATING ON CONTACT FUNCTIONAL AREA OF POWER AND SIGNAL CONTACTS
- ⚠ MECHANICAL CONNECTOR KEEP OUT ZONE.
- ⚠ DATUM AND BASIC DIMENSIONS ESTABLISHED BY CUSTOMER.
- ⚠ PCB - HOLE DIAMETERS ARE FINISHED HOLE SIZE.
- ⚠ PCB - .0453±.0010 DRILLED HOLES PLATED WITH .0003 MIN Sn OVER .001 TO .003 Cu PLATING TO ACHIEVE A .040 DIA HOLE.
- ⚠ FOR CONFIGURATION "LP+S" , PLEASE REFER TO VARIABLE DIMENSIONS ON PART VIEW.



DIM N	DIM S	DIM L	DIM V	DIM U	DIM D	DIM K	DESCRIPTION	PART NUMBER
.120	.375	2.990	2.850	2.640	2.750	.370	7ACP	1-6450833-2
.120	⚠	2.930	2.790	2.580	2.690	.2775 ⚠	6LP + 8S	1-6450833-1
.120	.250	2.690	2.550	2.340	2.450	.345	9P	1-6450833-0
.120	.375	1.815	1.675	1.465	1.575	.345	4P	6450833-9
.120	.300	1.290	1.150	.940	1.050	.345	3ACP	6450833-8
.120	.300	2.540	2.400	2.190	2.300	.370	7ACP	6450833-7
.120	.250	2.440	2.300	2.090	2.200	.345	8P	6450833-6
.120	.200	1.690	1.550	1.340	1.450	.345	6HDP	6450833-5
.120	.200	4.440	4.300	4.090	4.200	.320	20P	6450833-4
.120	.200	1.640	1.500	1.290	1.400	.320	6P	6450833-3
.120	.250	1.440	1.300	1.090	1.200	.325	4P	6450833-2
.120	.200	2.440	2.300	2.090	2.200	.320	10P	6450833-1

THIS DRAWING IS A CONTROLLED DOCUMENT.

DIMENSIONS: INCHES

TOLERANCES UNLESS OTHERWISE SPECIFIED:

0 PLC	±
1 PLC	±.01
2 PLC	±.01
3 PLC	±.005
4 PLC	±.0020
ANGLES	±.0020

MATERIAL: ⚠

FINISH: ⚠

THIS DRAWING IS A CONTROLLED DOCUMENT. DWN: C. ZHOU 04AUG2009, CHK: S. ZHAO 04AUG2009, APVD: S. ZHAO

NAME: RIGHT ANGLE HEADER ASSEMBLY W/ P AND SHORT END MODULES MULTI-BEAM XLE

PRODUCT SPEC: 108-2292

APPLICATION SPEC: 114-13251

WEIGHT: -

CUSTOMER DRAWING

SCALE: 2:1

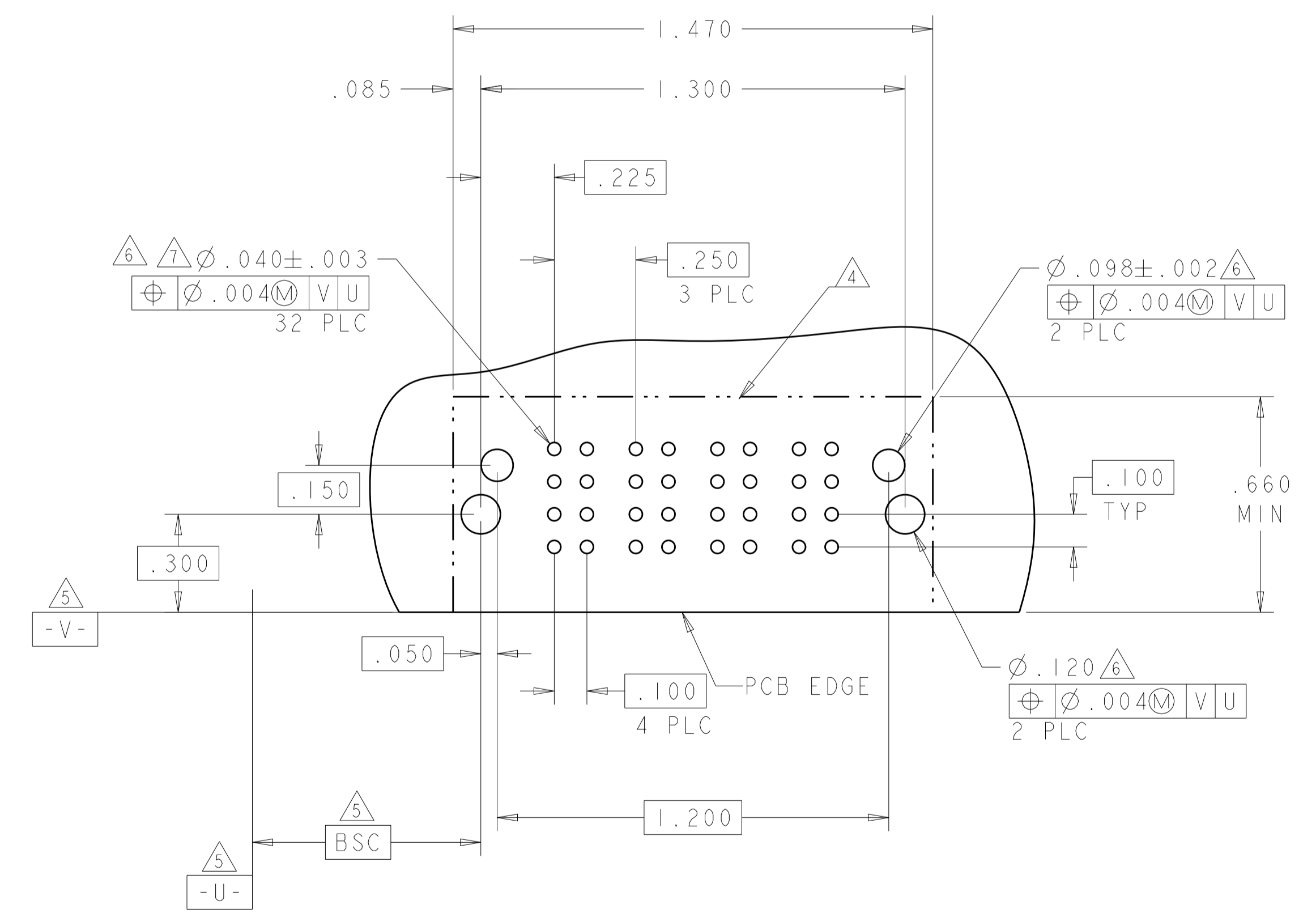
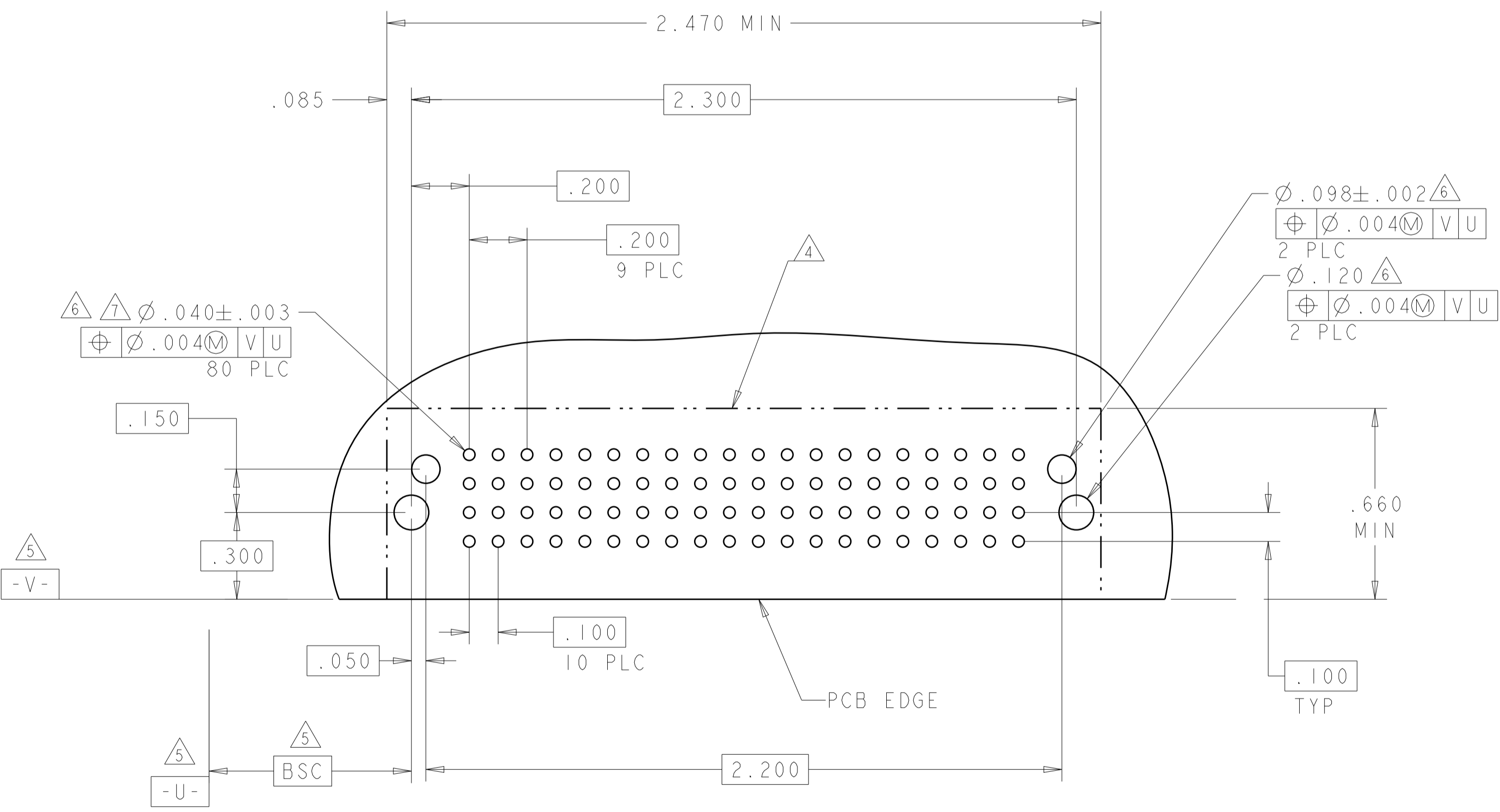
SHEET 1 OF 7

REV: C7

LOC	DIST	REVISIONS			
P	LTN	DESCRIPTION	DATE	DWN	APVD
-	-	SEE SHEET 1	-	-	-

PART NUMBER	ROWS	POWER										
		P1	P2	P3	P4	P5	P6	P7	P8	P9	P10	
6450833-1	D											HD
	C	TM	TM	TM	TM	TM	TM	TM	TM	TM		
	B											
	A	HD										
10P												

PART NUMBER	ROWS	POWER				
		P1	P2	P3	P4	
6450833-2	D					HD
	C	TM	TM	TM	TM	
	B					
	A	HD				
4P						



DESCRIPTION	IDENTIFIER
HOLD DOWN	HD
.135 SOLDER LOW POWER, MFBL	LMF
.135 SOLDER LOW POWER, STD	LM
.135 SOLDER POWER	TM

THIS DRAWING IS A CONTROLLED DOCUMENT.

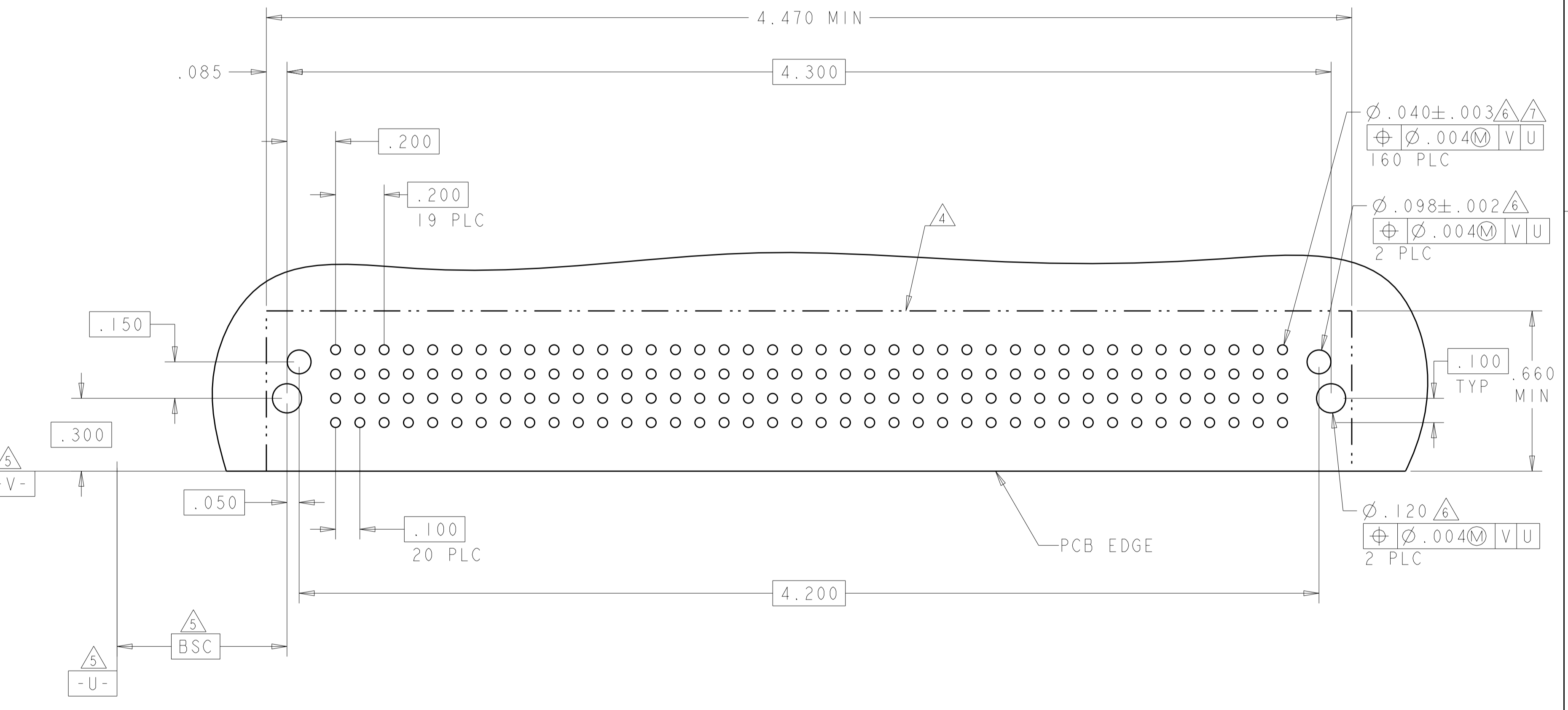
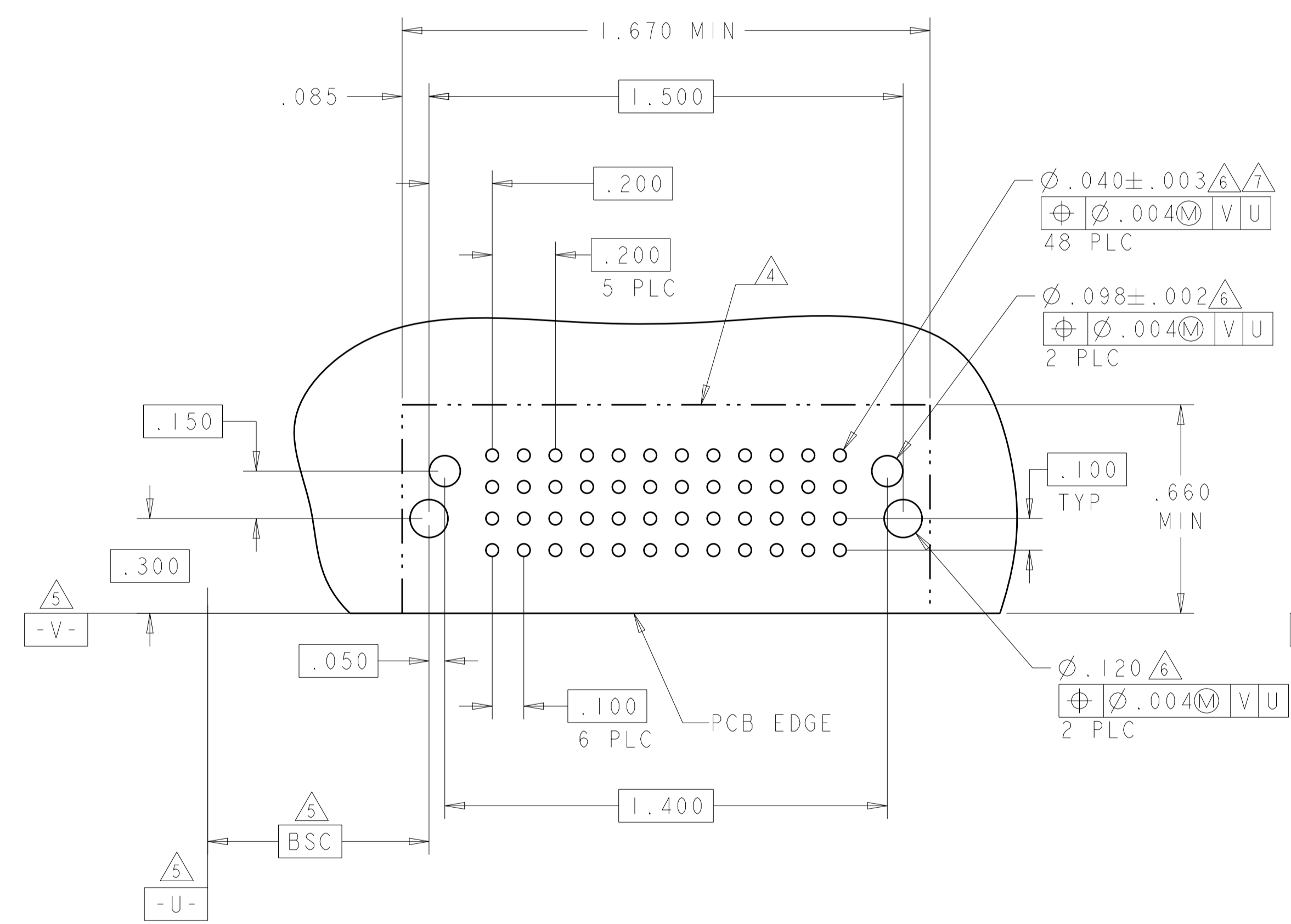
DIMENSIONS: INCHES	TOLERANCES UNLESS OTHERWISE SPECIFIED: 0 PLC ±. 1 PLC ±.01 2 PLC ±.01 3 PLC ±.005 4 PLC ±.002 ANGLES ±.020	DWN C. ZHOU CHK S. ZHAO APVD S. ZHAO	04AUG2009 04AUG2009	NAME RIGHT ANGLE HEADER ASSEMBLY W/ P AND SHORT END MODULES MULTI-BEAM XLE
MATERIAL	FINISH	PRODUCT SPEC 108-2292	APPLICATION SPEC 114-13251	SIZE A100779
CUSTOMER DRAWING		WEIGHT	SCALE 2:1	SHEET 2 OF 7

4805 (3/11)

LOC	DIST	REVISIONS			
P	LTN	DESCRIPTION	DATE	DMN	APVD
-	-	SEE SHEET 1	-	-	-

PART NUMBER	ROWS	POWER					
		P1	P2	P3	P4	P5	P6
6450833-3	D		TM	TM	TM	TM	TM
	C						
	B						
	A						
6P	HD						HD

PART NUMBER	ROWS	POWER																			
		P1	P2	P3	P4	P5	P6	P7	P8	P9	P10	P11	P12	P13	P14	P15	P16	P17	P18	P19	P20
6450833-4	D		TM	TM	TM	TM	TM	TM	TM	TM	TM	TM	TM	TM	TM	TM	TM	TM	TM	TM	TM
	C																				
	B																				
	A																				
20P	HD																				



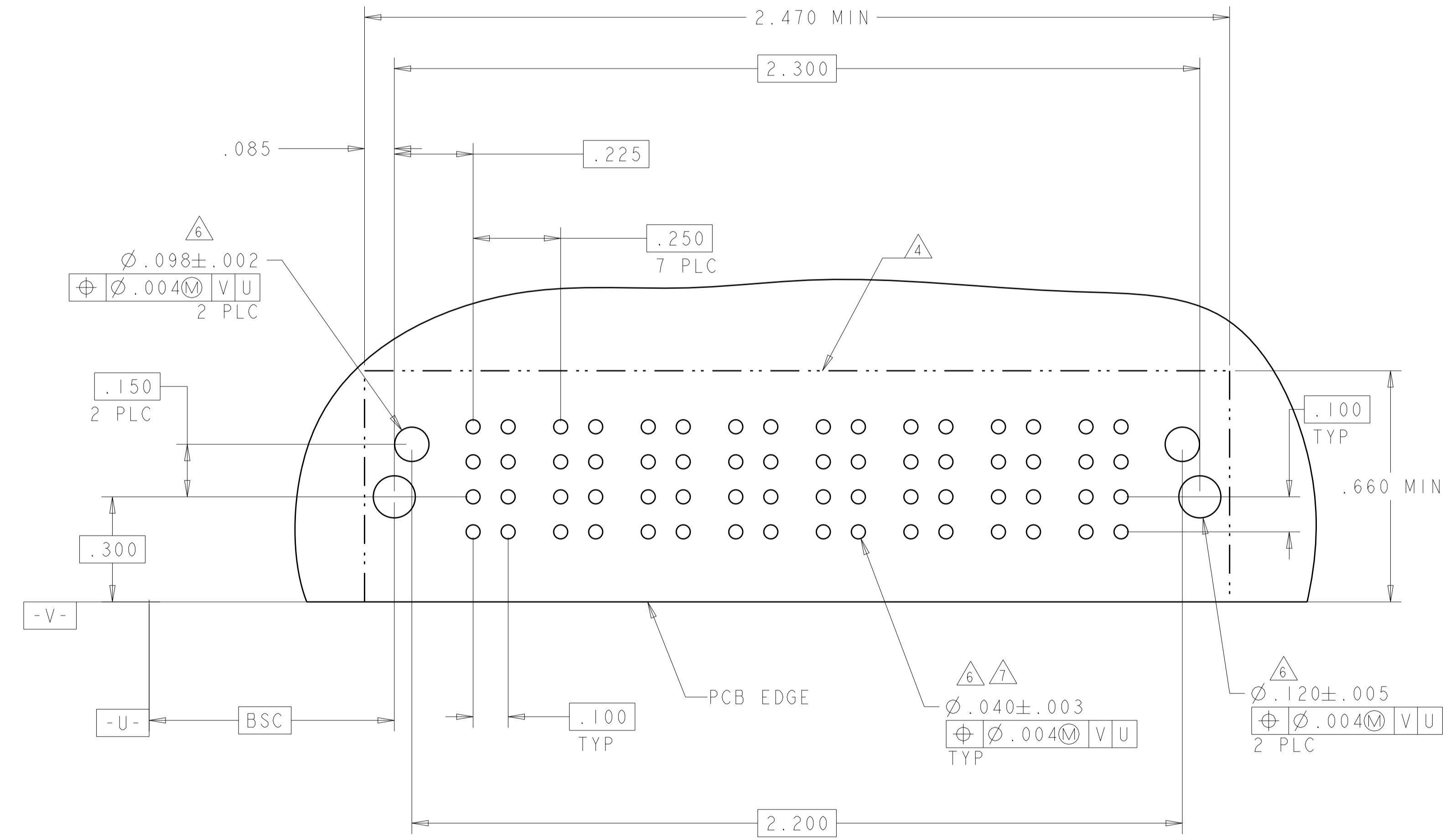
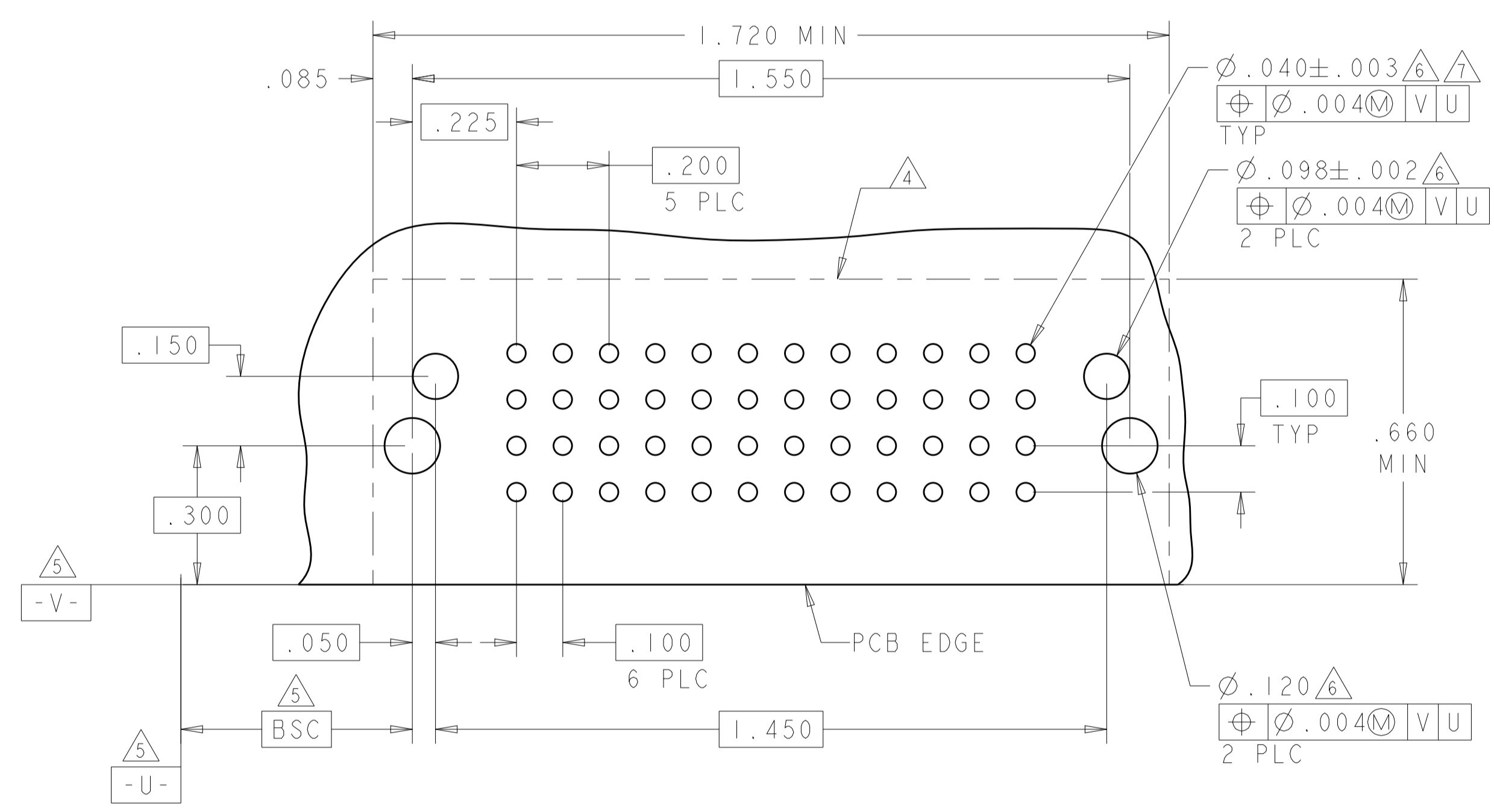
THIS DRAWING IS A CONTROLLED DOCUMENT.

DIMENSIONS:	TOLERANCES UNLESS OTHERWISE SPECIFIED:	DMN	04AUG2009		TE Connectivity
INCHES	0 PLC ±.01 1 PLC ±.01 2 PLC ±.01 3 PLC ±.005 4 PLC ±.0020 ANGLES ±.2°	CHK	04AUG2009		NAME
MATERIAL	FINISH	APVD	S. ZHAO	PRODUCT SPEC	108-2292
		APPLICATION SPEC		SIZE	114-13251
		WEIGHT		CAGE CODE	100779
		CUSTOMER DRAWING		DRAWING NO	6450833
		SCALE	2:1	SHEET	3 OF 7
		REV	7		

LOC	DIST	REVISIONS			
P	LTN	DESCRIPTION	DATE	DMN	APVD
ES	00	SEE SHEET 1			

PART NUMBER	ROWS	POWER					
		P1	P2	P3	P4	P5	P6
6450833-5	D C B A	TM	TM	TM	TM	TM	TM
6HDP		HD					HD

PART NUMBER	ROWS	POWER							
		P1	P2	P3	P4	P5	P6	P7	P8
6450833-6	D C B A	TM	TM	TM	TM	TM	TM	TM	TM
8P		HD							HD



THIS DRAWING IS A CONTROLLED DOCUMENT.

DIMENSIONS: INCHES	TOLERANCES UNLESS OTHERWISE SPECIFIED: 0 PLC ±. 1 PLC ±.01 2 PLC ±.005 3 PLC ±.005 4 PLC ±.0020 ANGLES ±.7°	DMN C. ZHOU CHK S. ZHAO APVD S. ZHAO	04AUG2009 04AUG2009	 TE Connectivity	NAME RIGHT ANGLE HEADER ASSEMBLY W/ P AND SHORT END MODULES MULTI-BEAM XLE
MATERIAL	FINISH	PRODUCT SPEC 108-2292	APPLICATION SPEC 114-13251		SIZE A1
CUSTOMER DRAWING		SCALE 2:1	SHEET 4	OF 7	REV C7

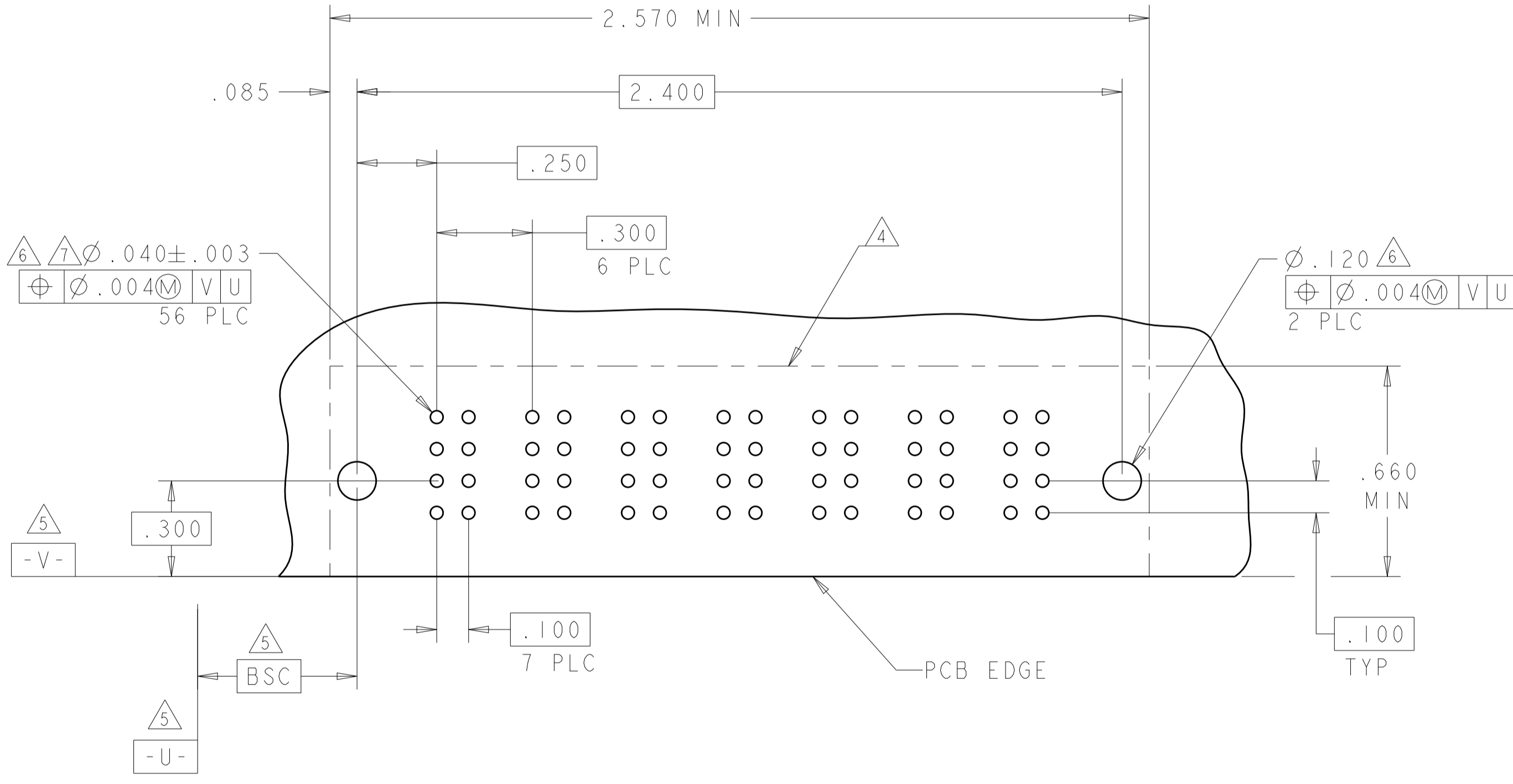
LOC	DIST	REVISIONS			
P	LTN	DESCRIPTION	DATE	DMN	APVD
-	-	SEE SHEET 1	-	-	-

PART NUMBER	ROWS	POWER						
		P1	P2	P3	P4	P5	P6	P7
6450833-7	D C B A	TM	TM	TM	TM	TM	TM	TM
7ACP								

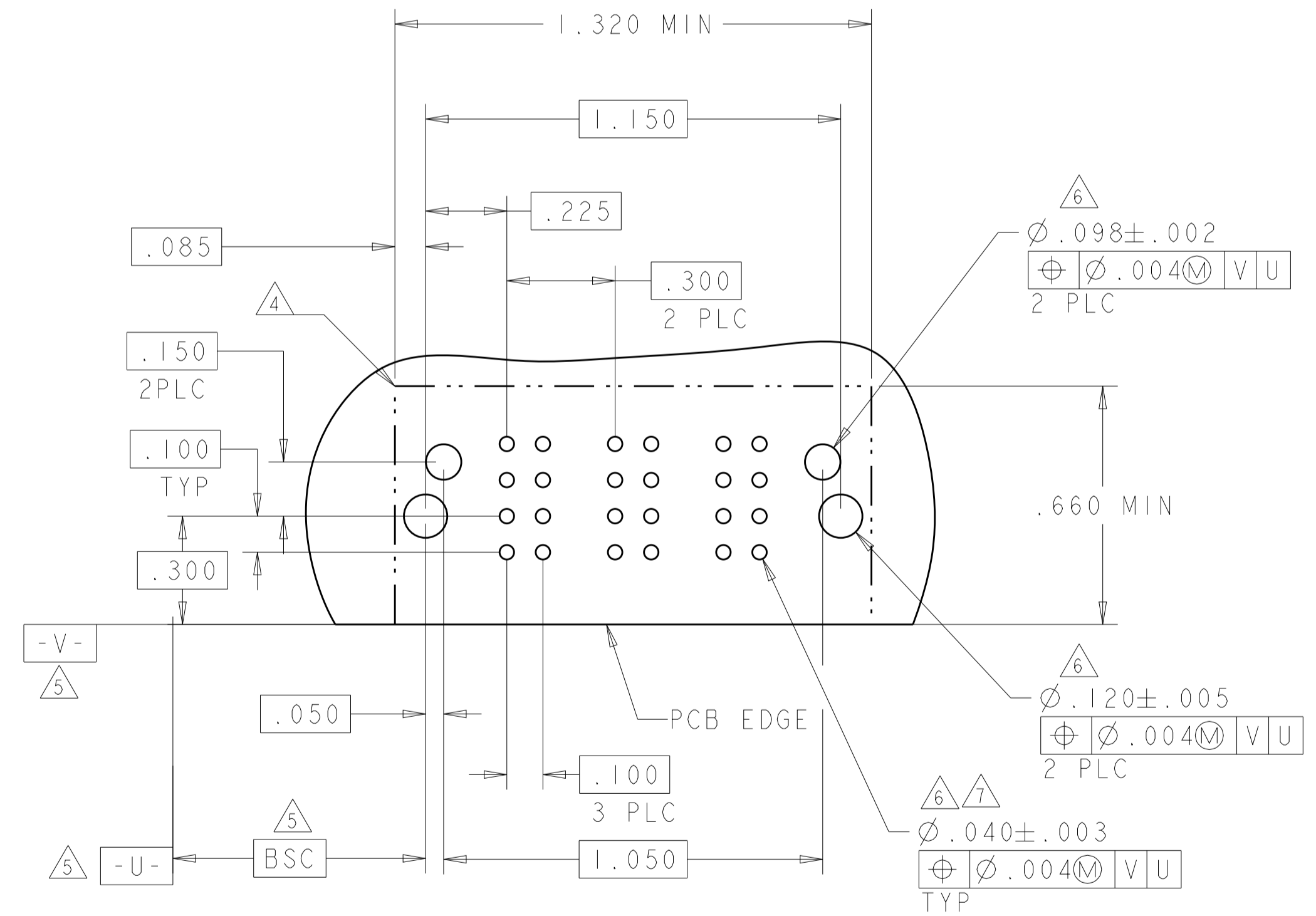
(B4)

PART NUMBER	ROWS	POWER		
		P1	P2	P3
6450833-8	D	TM	TM	TM
	C			
	B	HD		
	A			
3 ACP				

(C)



RECOMMENDED PCB LAYOUT



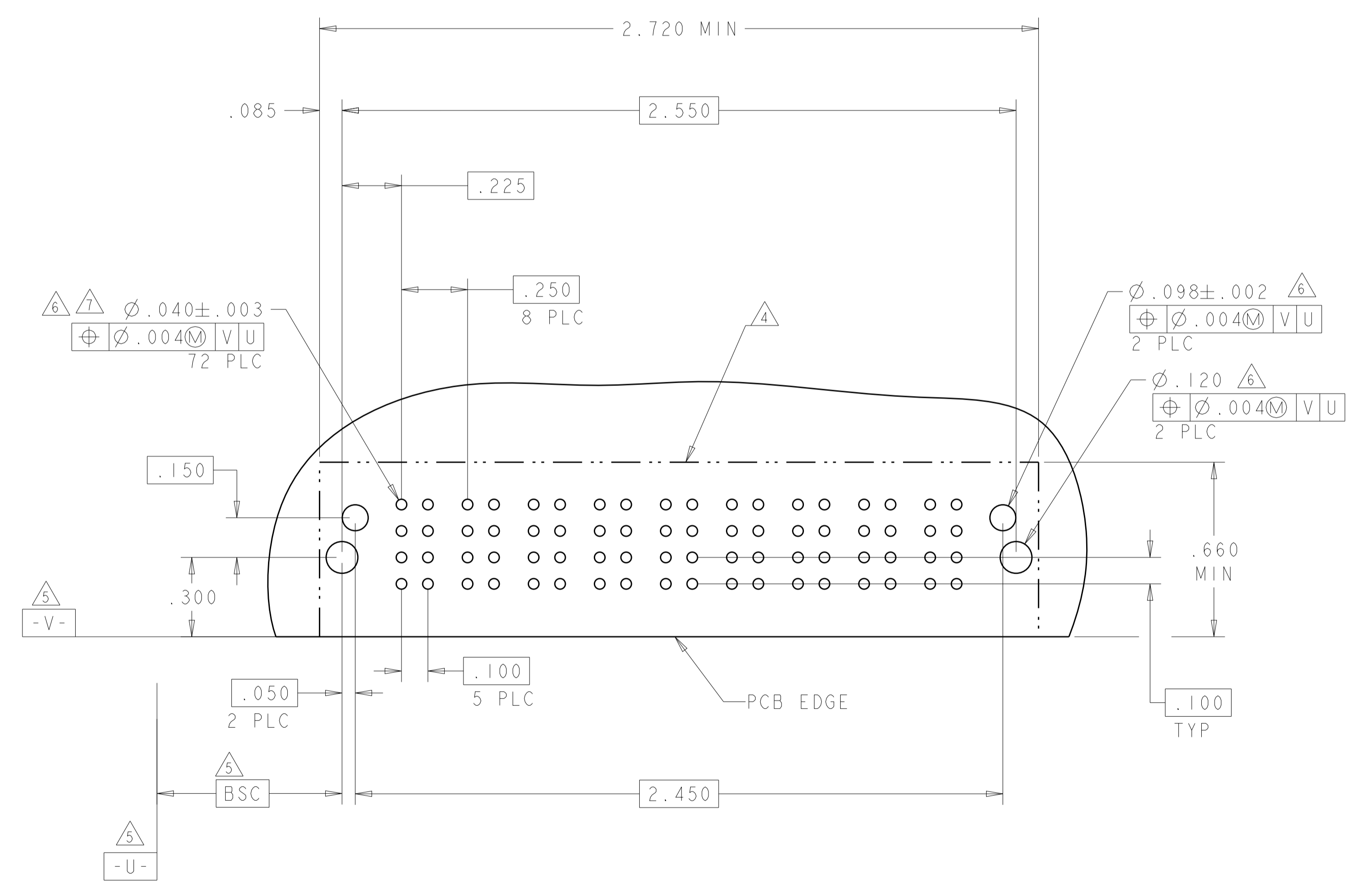
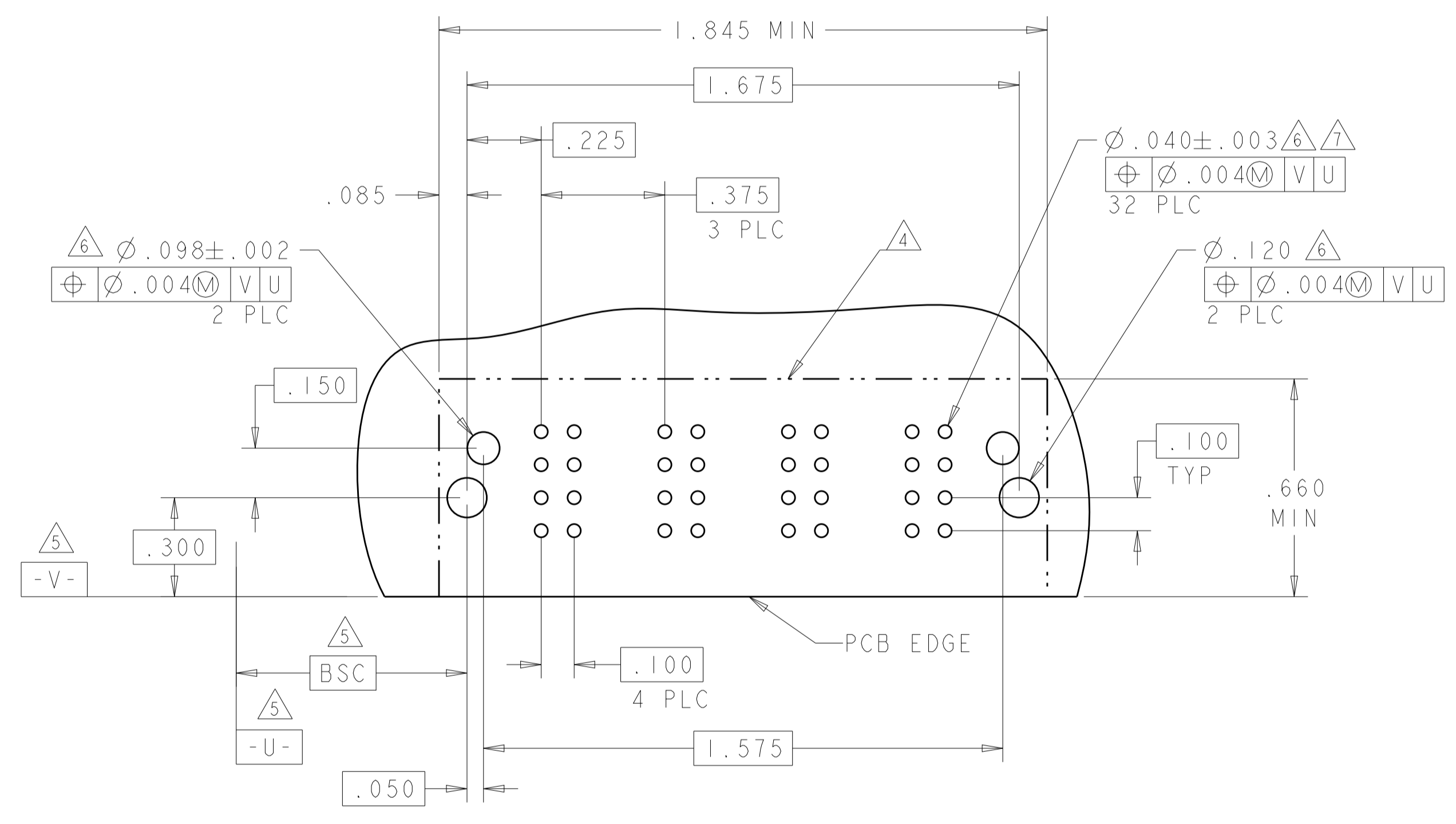
THIS DRAWING IS A CONTROLLED DOCUMENT.		DMN C. ZHOU 04AUG2009	TE Connectivity
DIMENSIONS: INCHES		CHK S. ZHAO 04AUG2009	
TOLERANCES UNLESS OTHERWISE SPECIFIED: 0 PLC ±. 1 PLC ±.01 2 PLC ±.01 3 PLC ±.005 4 PLC ±.0020 ANGLES ±.020		APVD S. ZHAO	NAME RIGHT ANGLE HEADER ASSEMBLY W/ P AND SHORT END MODULES MULTI-BEAM XLE
MATERIAL		PRODUCT SPEC 108-2292	SIZE 114-13251
FINISH		APPLICATION SPEC	RESTRICTED TO
CUSTOMER DRAWING		WEIGHT	A100779C=6450833
SCALE 2:1		SHEET 5 OF 7	REV C7

LOC	DIST	REVISIONS			
P	LTN	DESCRIPTION	DATE	DMN	APVD
ES	00	SEE SHEET 1	-	-	-

PART NUMBER	ROWS	POWER			
		P1	P2	P3	P4
6450833-9	D	TM	TM	TM	TM
	C				
	B				
	A				
4P	HD	HD			

PART NUMBER	ROWS	POWER								
		P1	P2	P3	P4	P5	P6	P7	P8	P9
1-6450833-0	D	TM	TM	TM	TM	TM	TM	TM	TM	TM
	C									
	B									
	A									
9P	HD	HD								

C4



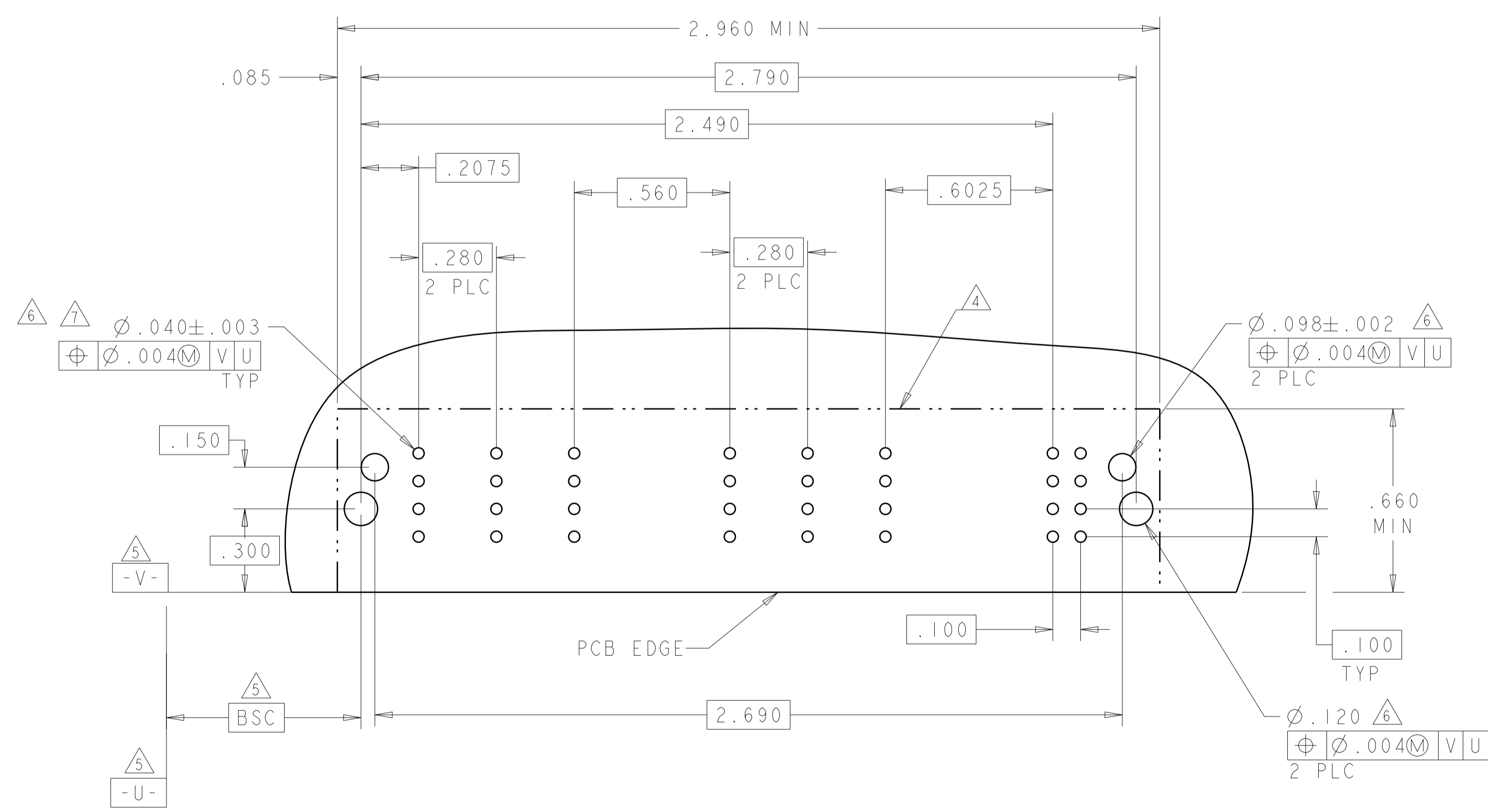
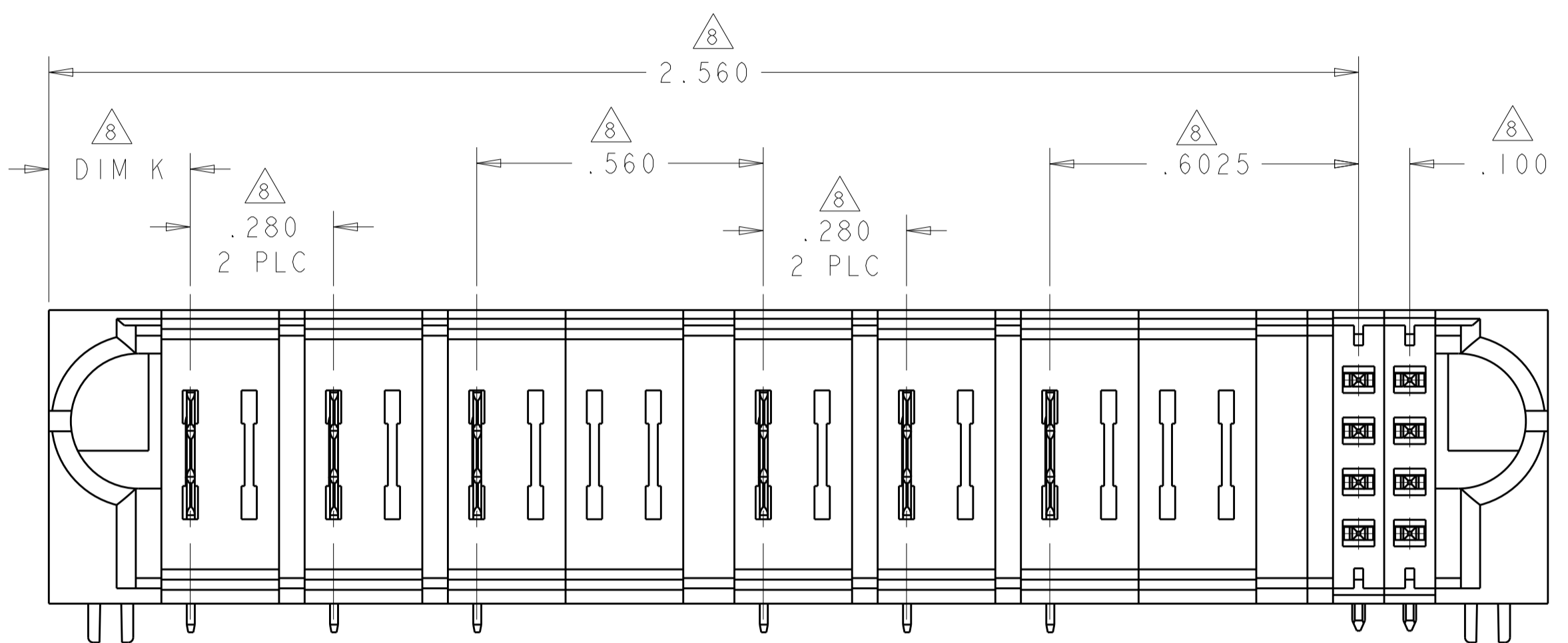
THIS DRAWING IS A CONTROLLED DOCUMENT.

DIMENSIONS: INCHES	TOLERANCES UNLESS OTHERWISE SPECIFIED: 0 PLC ±. 2 PLC ±.01 3 PLC ±.005 4 PLC ±.0020 ANGLES ±.7°	DMN C. ZHOU CHK S. ZHAO APVD S. ZHAO	04AUG2009 04AUG2009	 TE Connectivity	
MATERIAL	FINISH	NAME RIGHT ANGLE HEADER ASSEMBLY W/ P AND SHORT END MODULES MULTI-BEAM XLE	PRODUCT SPEC 108-2292 APPLICATION SPEC 114-13251 WEIGHT		
CUSTOMER DRAWING		SIZE A1	CAGE CODE 100779	DRAWING NO. 6450833	RESTRICTED TO
		SCALE 2:1	SHEET 6	OF 7	REV C7

LOC	DIST	REVISIONS			
P	LTN	DESCRIPTION	DATE	DMN	APVD
ES	00	SEE SHEET 1			

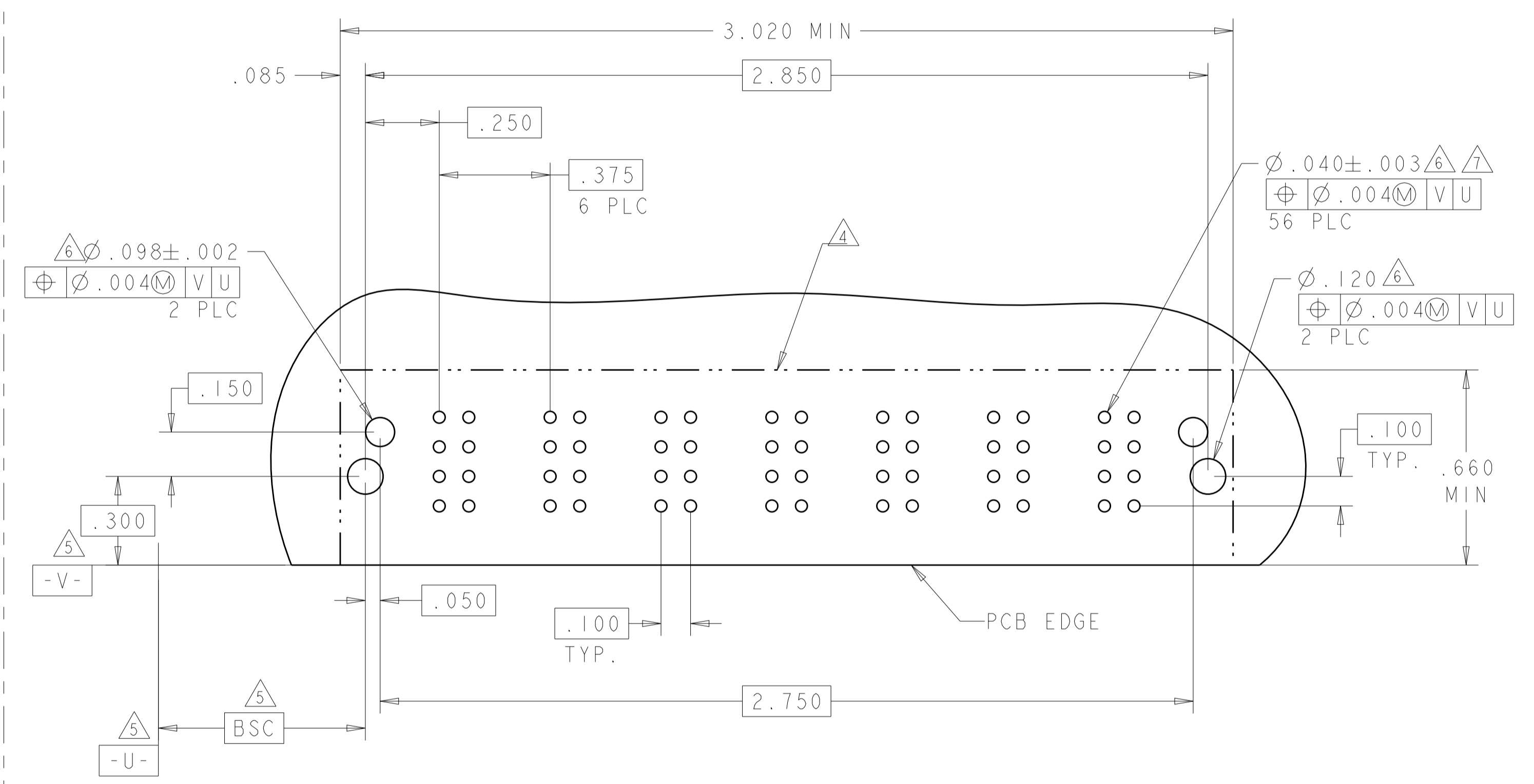
PART NUMBER	ROWS	LOW POWER						SIGNAL	
		P1	P2	P3	P4	P5	P6	I	2
I-6450833-1	D							J	J
	C							K	K
	B	LM	LM	LM	LM	LM	LM	N	N
	A	HD						S	S

6LP + 8S



PART NUMBER	ROWS	POWER						
		P1	P2	P3	P4	P5	P6	P7
I-6450833-2	D C B A	TM	TM	TM	TM	TM	TM	TM

7ACP



DESCRIPTION	IDENTIFIER
HOLD DOWN	HD
.135 SIGNAL SOLDER CON, ROW D, STD	J
.135 SIGNAL SOLDER CON, ROW C, STD	K
.135 SIGNAL SOLDER CON, ROW B, STD	N
.135 SIGNAL SOLDER CON, ROW A, STD	S
.135 SOLDER LOW POWER, MFB	LMF
.135 SOLDER LOW POWER, STD	LM
.135 SOLDER POWER	TM

THIS DRAWING IS A CONTROLLED DOCUMENT.

DIMENSIONS: INCHES	TOLERANCES UNLESS OTHERWISE SPECIFIED:	DMN: C. ZHOU 04AUG2009	CHK: S. ZHAO 04AUG2009	APVD: S. ZHAO	NAME: S. ZHAO
	0 PLC ±.01	PRODUCT SPEC: 108-2292	APPLICATION SPEC: 114-13251	WEIGHT: -	SIZE: A1
	1 PLC ±.01	RESTRICTED TO: -	CUSTOMER DRAWING	SCALE: 2:1	SHEET 7 OF 7
	2 PLC ±.01				REV: C7
	3 PLC ±.01				
	4 PLC ±.0020				
	ANGLES ±.0020				

STE TE Connectivity

RIGHT ANGLE HEADER ASSEMBLY W/ P AND SHORT END MODULES MULTI-BEAM XLE

100779 ©=6450833