



Chipsmall Limited consists of a professional team with an average of over 10 year of expertise in the distribution of electronic components. Based in Hongkong, we have already established firm and mutual-benefit business relationships with customers from,Europe,America and south Asia,supplying obsolete and hard-to-find components to meet their specific needs.

With the principle of “Quality Parts,Customers Priority,Honest Operation,and Considerate Service”,our business mainly focus on the distribution of electronic components. Line cards we deal with include Microchip,ALPS,ROHM,Xilinx,Pulse,ON,Everlight and Freescale. Main products comprise IC,Modules,Potentiometer,IC Socket,Relay,Connector.Our parts cover such applications as commercial,industrial, and automotives areas.

We are looking forward to setting up business relationship with you and hope to provide you with the best service and solution. Let us make a better world for our industry!



Contact us

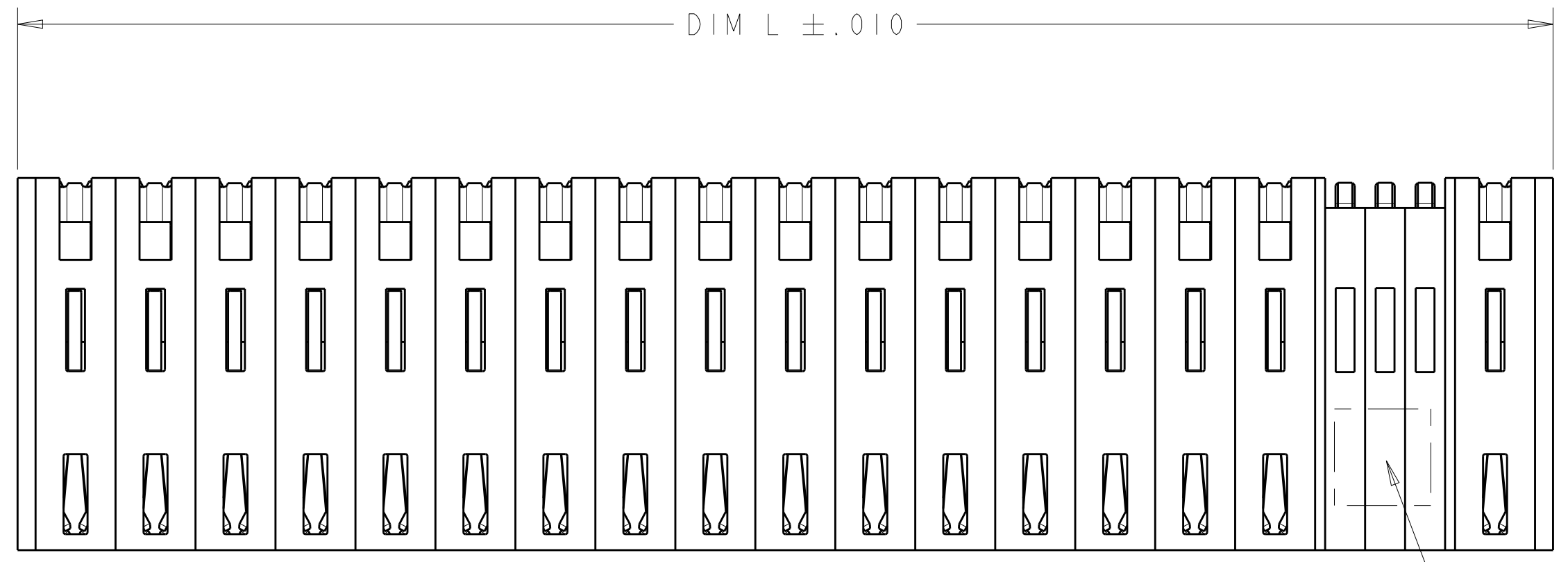
Tel: +86-755-8981 8866 Fax: +86-755-8427 6832

Email & Skype: info@chipsmall.com Web: www.chipsmall.com

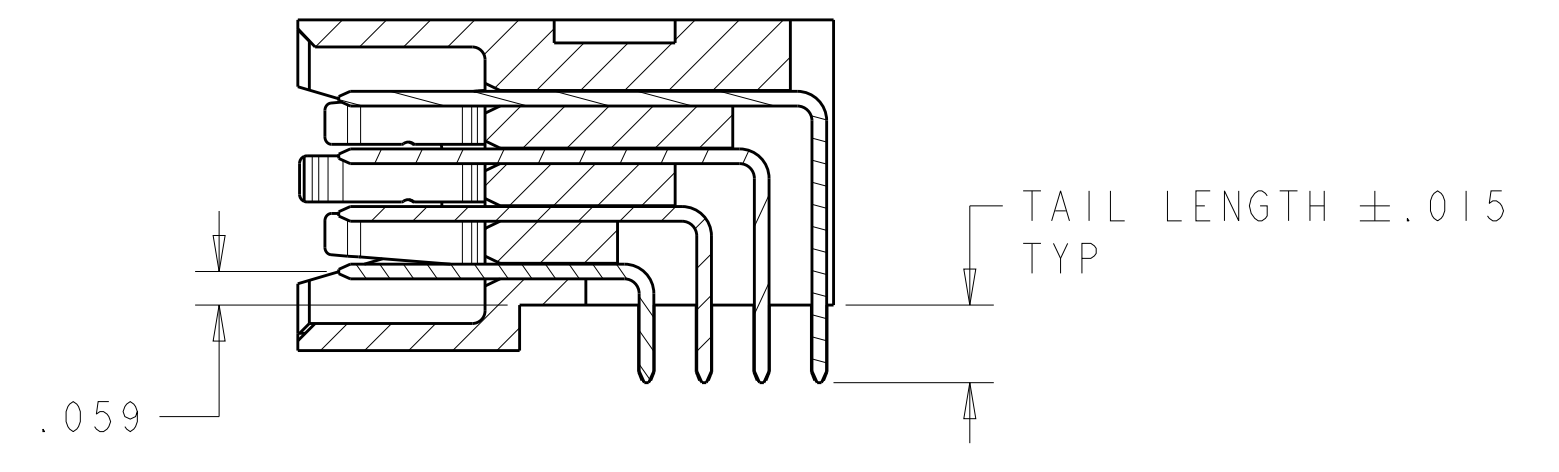
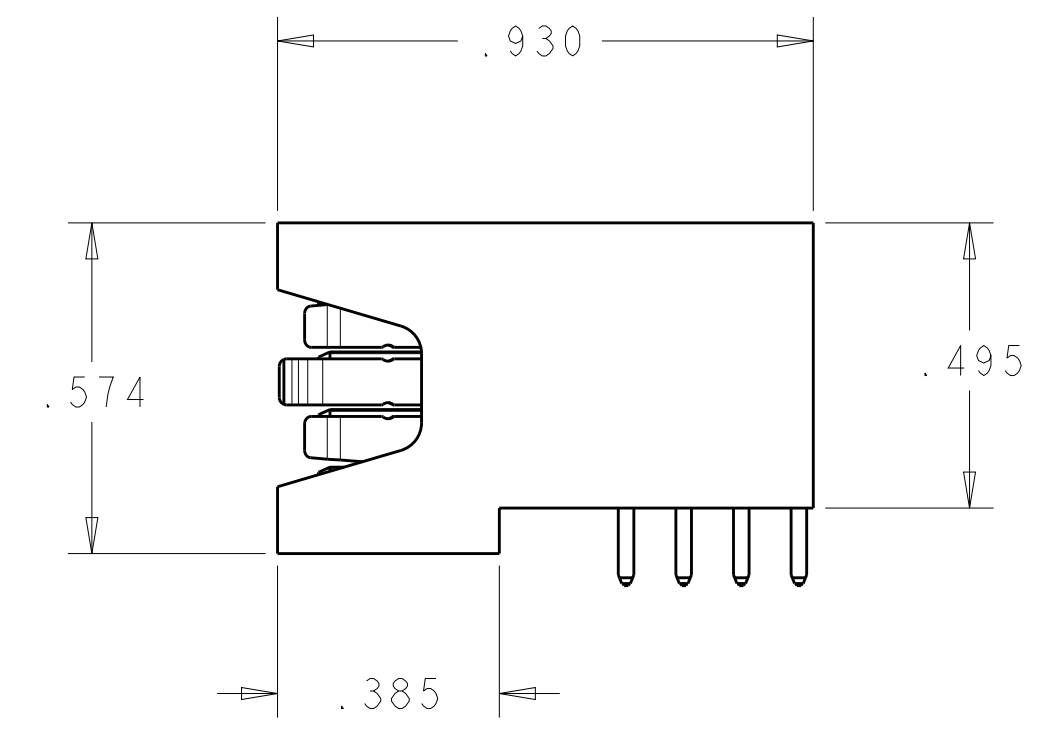
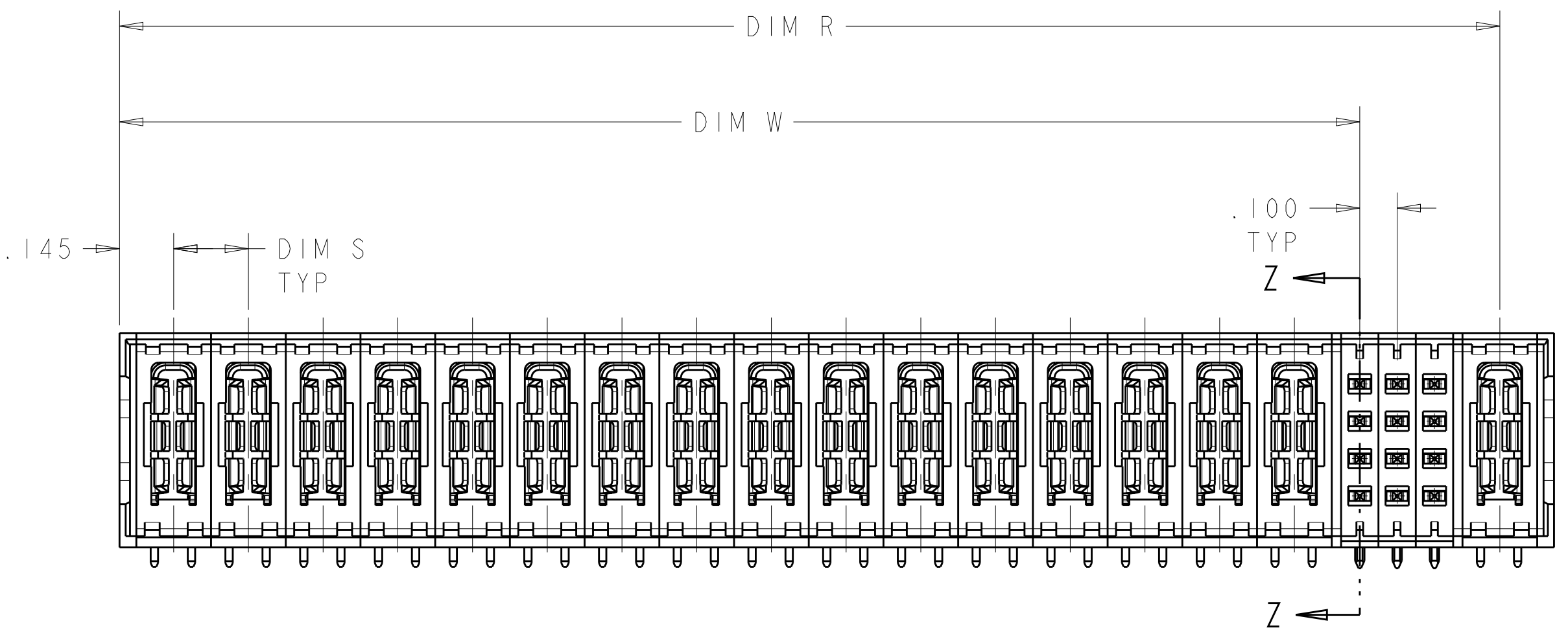
Address: A1208, Overseas Decoration Building, #122 Zhenhua RD., Futian, Shenzhen, China



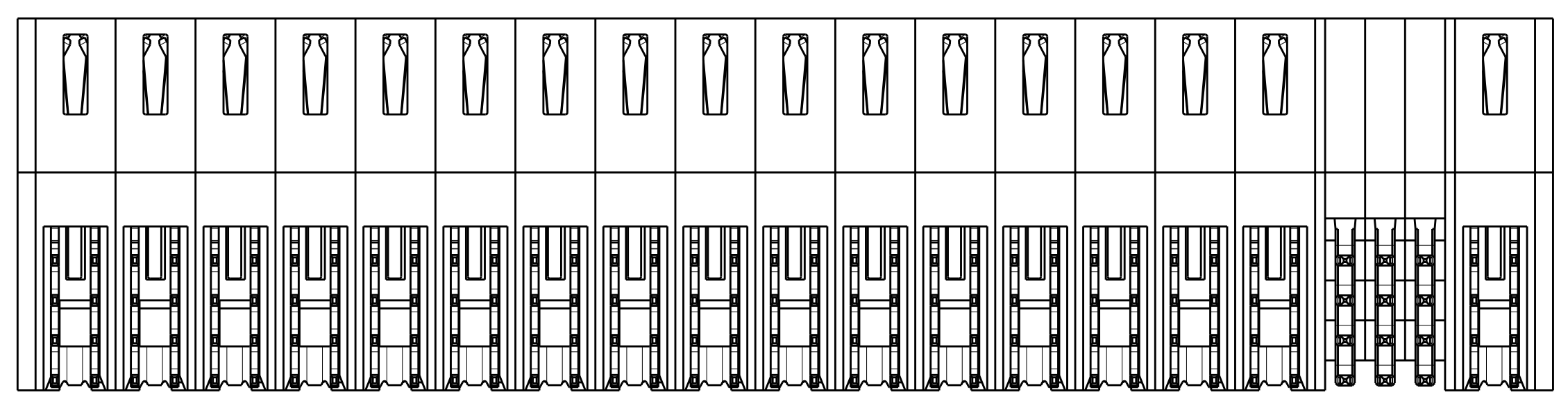
LOC	DIST	REVISIONS					
		P	LTN	DESCRIPTION	DATE	DMN	APVD
ES	00	A1		ADDED DASH NUMBER -6	2NOV2011	LW	SZ



- △ "AMP" PART NUMBER AND DATE CODE TO BE MARKED IN AREA SHOWN. PARTS 2.00 OR LESS MAYBE MARKED ON BOTH SIDES.
- △ MATERIAL: HOUSING - GLASS FILLED HIGH TEMP THERMO PLASTIC, UL94 V-0
POWER CONTACT - HIGH CONDUCTIVITY COPER ALLOY
- △ CONTACT PLATING: NOBLE METAL PLATING ON CONTACT FUNCTIONAL AREA OF POWER AND SIGNAL CONTACTS
- △ MECHANICAL CONNECTOR KEEP OUT ZONE
- △ DATUM AND BASIC DIMENSIONS ESTABLISHED BY CUSTOMER
- △ PCB - ALL HOLE DIMENSIONS ARE FINISHED HOLE SIZES
- △ PCB - .0453±.0010 DRILLED HOLES. PLATED WITH .0003 MIN Sn OVER .001 TO .003 Cu PLATING TO ACHIEVE A .040 DIA. HOLE
- △ PLEASE REFER TO PARTS VIEW FOR DETAIL DIMENTIONS.



SECTION Z-Z



DIM S	DIM R	DIM W	DIM K	DIM L	DESCRIPTION	PART NUMBER
-	-	-	-	-	2ACP+8S+4ACP+16S+2ACP+12S+2ACP	6450839-6
-	-	-	-	-	12P	6450839-4
-	-	-	-	-	44S+14P+40S	6450839-3
-	-	-	-	-	4S+17HDP+8S	6450839-2
-	-	-	-	-	8S+27P+8S	6450839-1

THIS DRAWING IS A CONTROLLED DOCUMENT. DWN T. YU 15OCT2008
 CHK S. ZHAO 15OCT2008
 APVD S. YAO

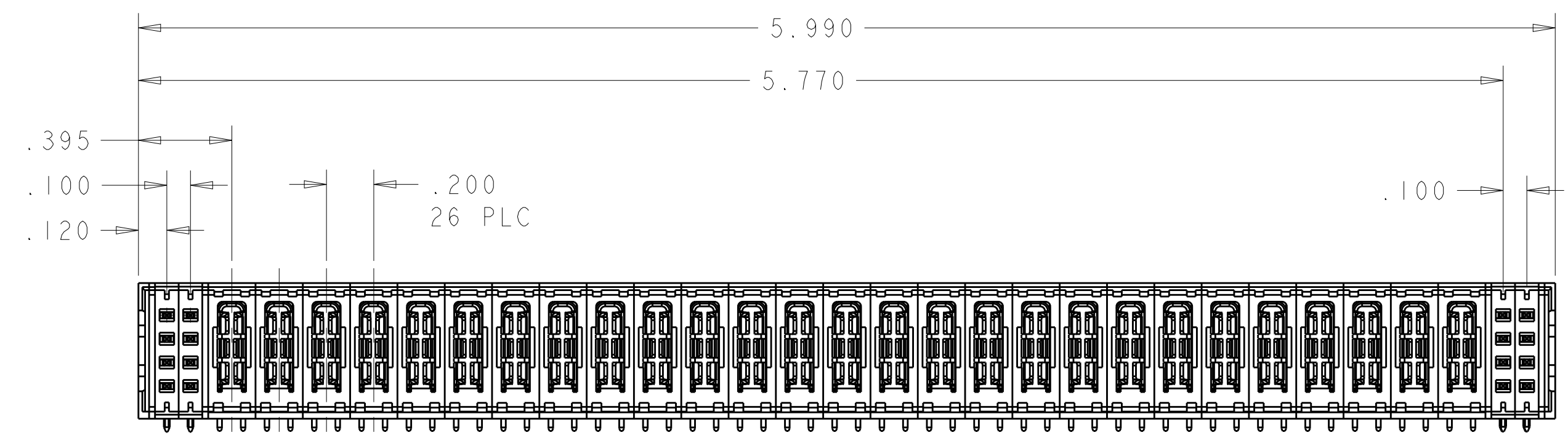
STE TE Connectivity

R/A HEADER ASSEMBLY
 GUIDELESS
 MULTI-BEAM XLE

NAME: R/A HEADER ASSEMBLY GUIDELESS MULTI-BEAM XLE
 PRODUCT SPEC: 108-2292
 APPLICATION SPEC: 114-13038
 SIZE: A1 CAGE CODE: 6450839 DRAWING NO: 114-13038
 WEIGHT: -
 RESTRICTED TO: -

CUSTOMER DRAWING SCALE: 4:1 SHEET 1 OF 5 REV: A2

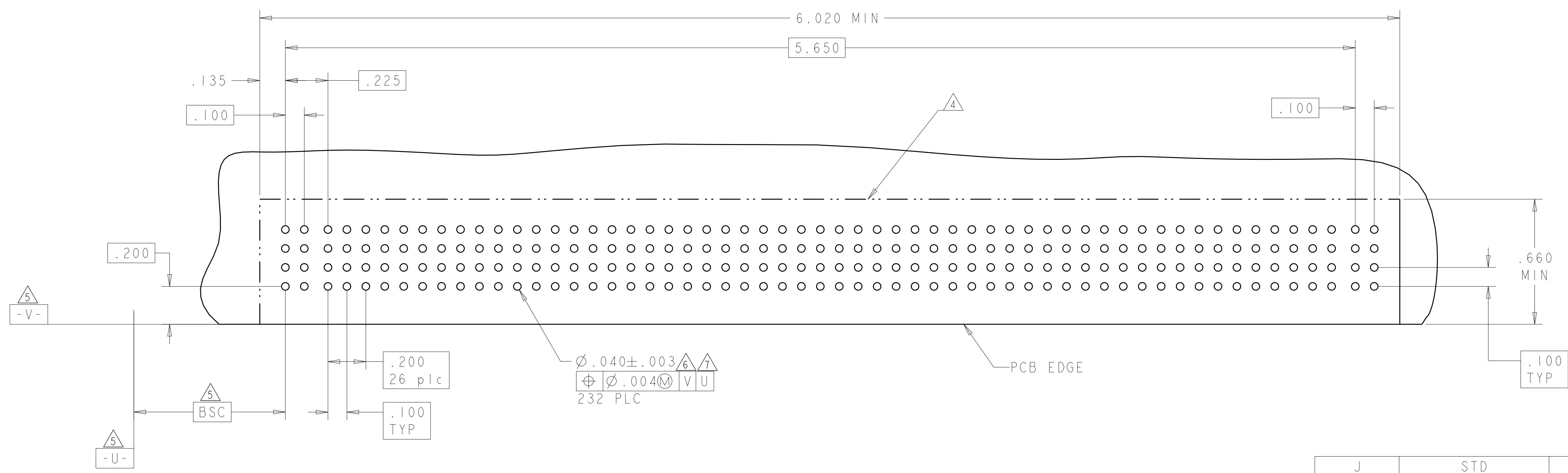
LOC	DIST	REVISIONS			
		REV	DATE	BY	APPD
ES	00	-	-	-	-
		SEE SHEET 1			



PART NUMBER: 6450839-1

PART NUMBER	ROWS	SIGNAL		POWER																								SIGNAL				
		1	2	P1	P2	P3	P4	P5	P6	P7	P8	P9	P10	P11	P12	P13	P14	P15	P16	P17	P18	P19	P20	P21	P22	P23	P24	P25	P26	P27	3	4
6450839-1	D	J	J																												J	J
	C	K	K	TM	TM	TM	TM	TM	TM	TM	TM	TM	TM	TM	TM	TM	TM	TM	TM	TM	TM	TM	TM	TM	TM	TM	TM	TM	TM	K	K	
	B	N	N																											N	N	
	A	S	S																											S	S	

8S + 27P + 8S



CODE	MATING SEQUENCE	TAIL LENGTH	ROW
J	STD	.135"	D
K	STD	.135"	C
N	STD	.135"	B
S	STD	.135"	A

SIGNAL CONTACT

TM	STD .135 TAIL LENGTH, SOLDER TAIL
CODE	TAIL LENGTH
	POWER CONTACT

THIS DRAWING IS A CONTROLLED DOCUMENT.

DIMENSIONS: INCHES

TOLERANCES UNLESS OTHERWISE SPECIFIED:

0 PLC	±
1 PLC	±.01
2 PLC	±.01
3 PLC	±.005
4 PLC	±.0020
ANGLES	±.020

MATERIAL: -

FINISH: -

THIS DRAWING IS A CONTROLLED DOCUMENT. DWG: T. YU 15OCT2008, CHK: S. ZHAO 15OCT2008, APVD: S. YAO

PRODUCT SPEC: 108-2292

APPLICATION SPEC: 114-13038

WEIGHT: -

CUSTOMER DRAWING

SCALE: 4:1

SHEET: 2 OF 5

REV: A2

TE Connectivity

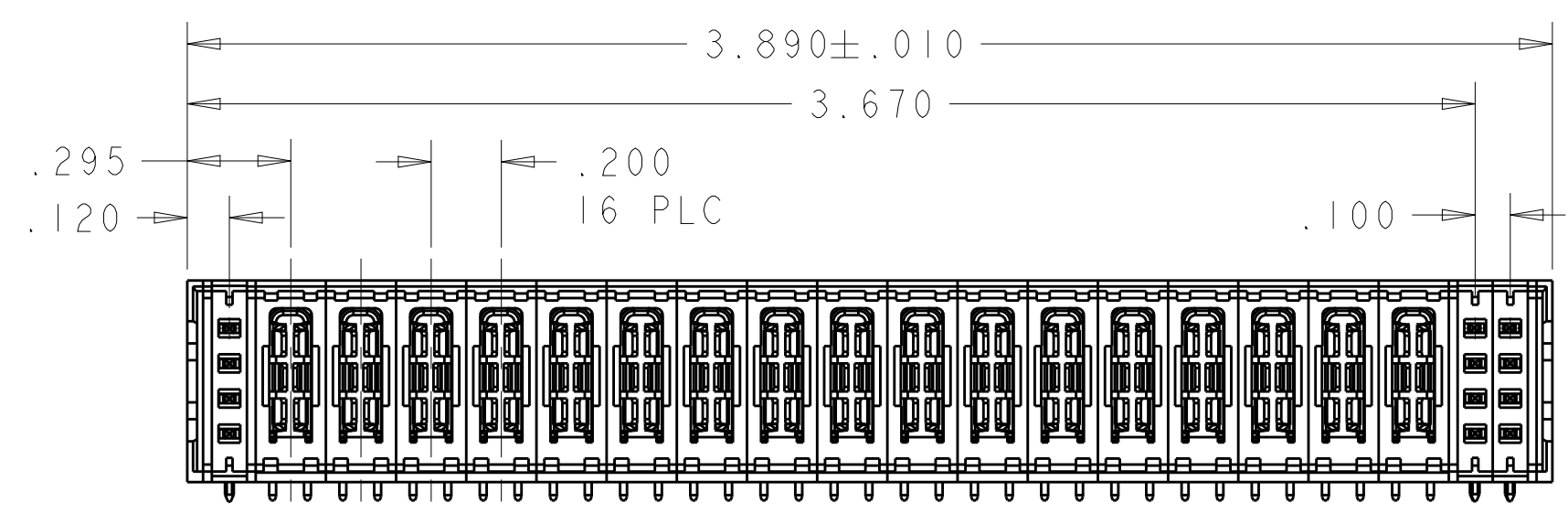
R/A HEADER ASSEMBLY GUIDELESS MULTI-BEAM XLE

SIZE: A1

CAGE CODE: -

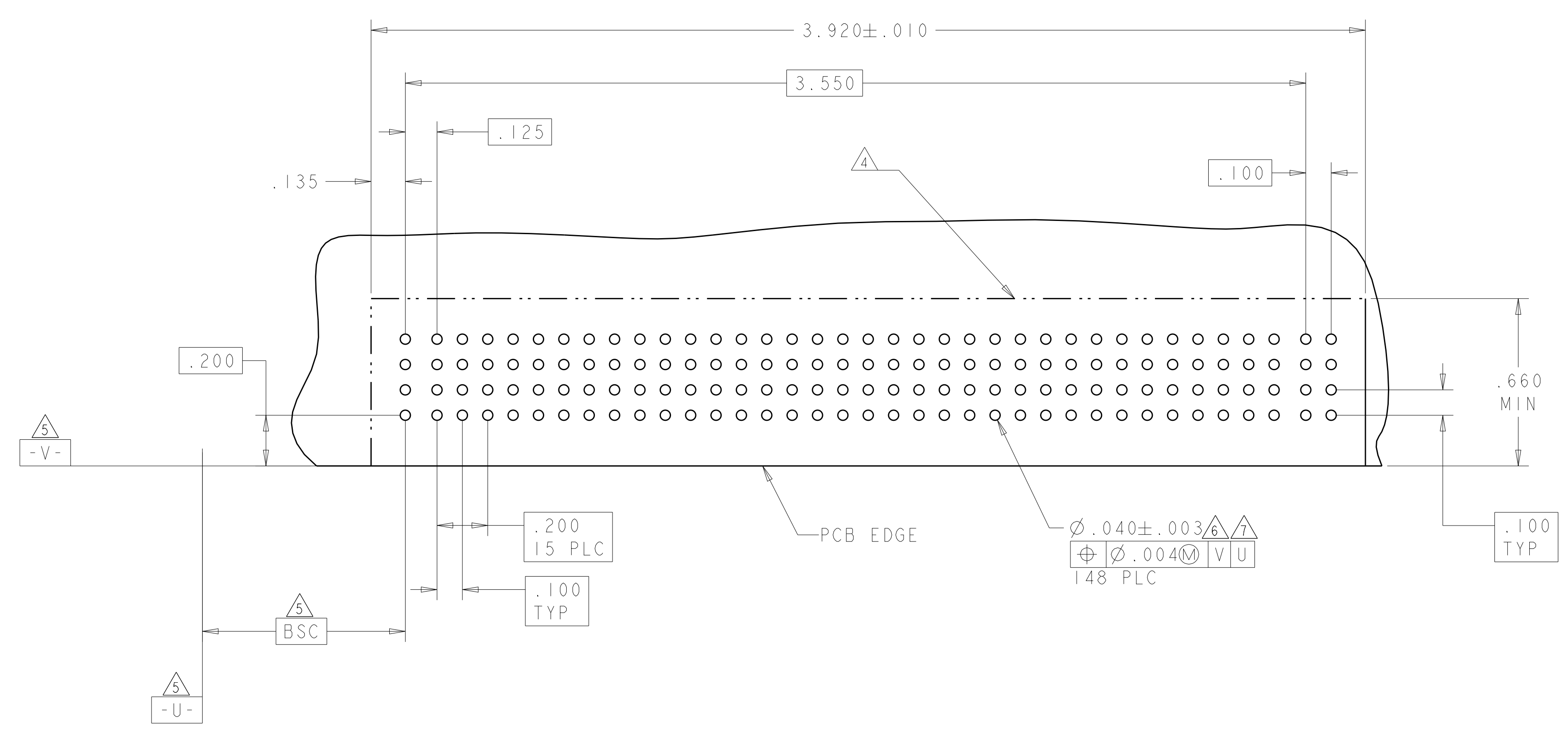
DRAWING NO: 6450839

LOC	DIST	REVISIONS			
P	LTN	DESCRIPTION	DATE	DMN	APVD
ES	00	- SEE SHEET 1	-	-	-



PART NUMBER: 6450839-2

PART NUMBER	ROWS	S	POWER															SIGNAL					
			I	P1	P2	P3	P4	P5	P6	P7	P8	P9	P10	P11	P12	P13	P14	P15	P16	P17	2	3	
6450839-2	D	J																			J	J	
	C	K																				K	K
	B	N	TM	TM	TM	TM	TM	TM	TM	TM	TM	TM	TM	TM	TM	TM	TM	TM	TM	TM	N	N	
	A	S																			S	S	
4S + 17HDP + 8S																							



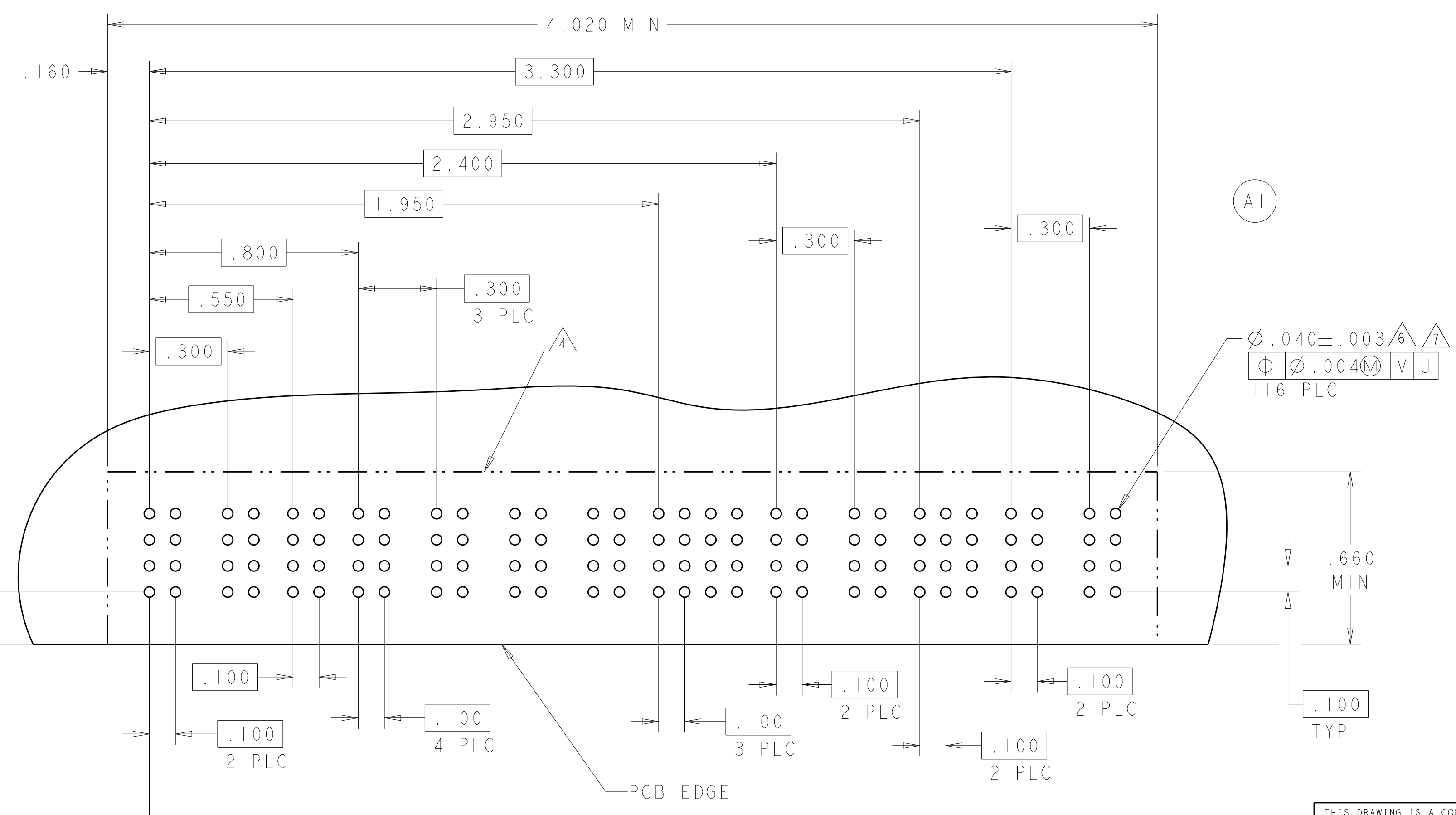
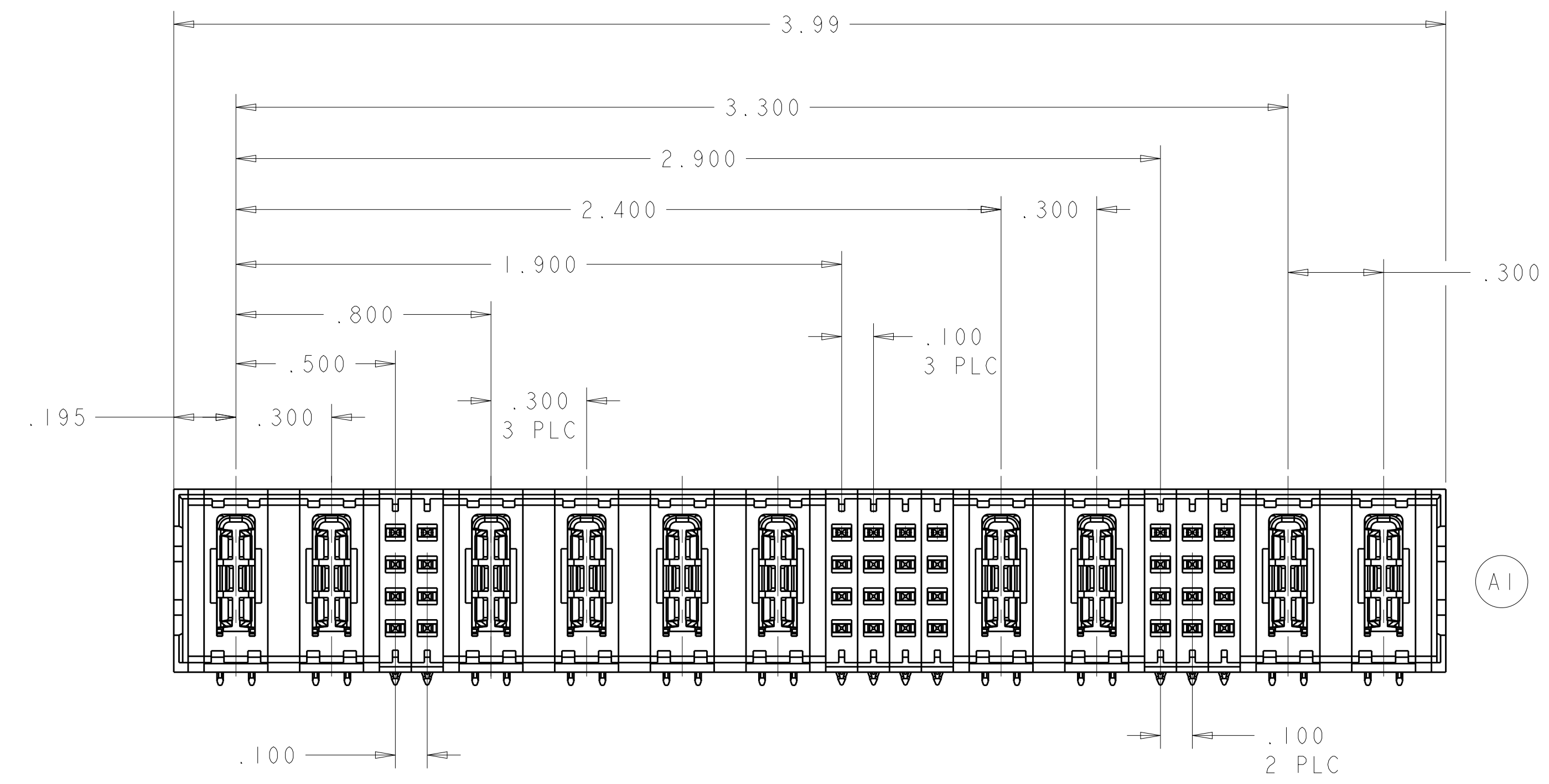
THIS DRAWING IS A CONTROLLED DOCUMENT.

DIMENSIONS: INCHES	TOLERANCES UNLESS OTHERWISE SPECIFIED: 0 PLC ±. 1 PLC ±.01 2 PLC ±.01 3 PLC ±.005 4 PLC ±.0020 ANGLES ±.2°	FINISH	DMN T. YU 15OCT2008	CHK S. ZHAO 15OCT2008	APVD S. YAO	NAME R/A HEADER ASSEMBLY GUIDELESS MULTI-BEAM XLE
MATERIAL			PRODUCT SPEC 108-2292	APPLICATION SPEC 114-13038	WEIGHT	SIZE A1
CUSTOMER DRAWING			SCALE 4:1	SHEET 3	OF 5	REV A2

STC TE Connectivity

LOC		DIST		REVISIONS			
P	LYN	DESCRIPTION	DATE	DMN	APVD		
ES	00	SEE SHEET 1	-	-	-		

PART NUMBER	ROWS	POWER		SIGNAL				POWER				SIGNAL				POWER				
		P1	P2	1	2	P3	P4	P5	P6	3	4	5	6	P7	P8	7	8	9	P9	P10
6450839-6	D C B A	TM	TM	J	J	TM	TM	TM	TM	J	J	J	J	TM	TM	J	J	J	TM	TM
				K	K					K	K	K	K			K	K			
				N	N					N	N	N	N			N	N			
				S	S					S	S	S	S			S	S			
2ACP+8S+4ACP+16S+2ACP+12S+2ACP																				



RECOMMENDED PCB LAYOUT

THIS DRAWING IS A CONTROLLED DOCUMENT.		DMN T. YU 15OCT2008	TE Connectivity
DIMENSIONS: INCHES		CHK S. ZHAO 15OCT2008	
TOLERANCES UNLESS OTHERWISE SPECIFIED:		APVD S. YAO	NAME R/A HEADER ASSEMBLY GUIDLESS MULTI-BEAM XLE
		PRODUCT SPEC 108-2292	SIZE A1
MATERIAL		APPLICATION SPEC 114-13038	CAGE CODE C-6450839
FINISH		WEIGHT	DRAWING NO. C-6450839
		CUSTOMER DRAWING	RESTRICTED TO A2
		SCALE 4:1	SHEET 5 OF 5