



Chipsmall Limited consists of a professional team with an average of over 10 year of expertise in the distribution of electronic components. Based in Hongkong, we have already established firm and mutual-benefit business relationships with customers from,Europe,America and south Asia,supplying obsolete and hard-to-find components to meet their specific needs.

With the principle of “Quality Parts,Customers Priority,Honest Operation,and Considerate Service”,our business mainly focus on the distribution of electronic components. Line cards we deal with include Microchip,ALPS,ROHM,Xilinx,Pulse,ON,Everlight and Freescale. Main products comprise IC,Modules,Potentiometer,IC Socket,Relay,Connector.Our parts cover such applications as commercial,industrial, and automotives areas.

We are looking forward to setting up business relationship with you and hope to provide you with the best service and solution. Let us make a better world for our industry!



Contact us

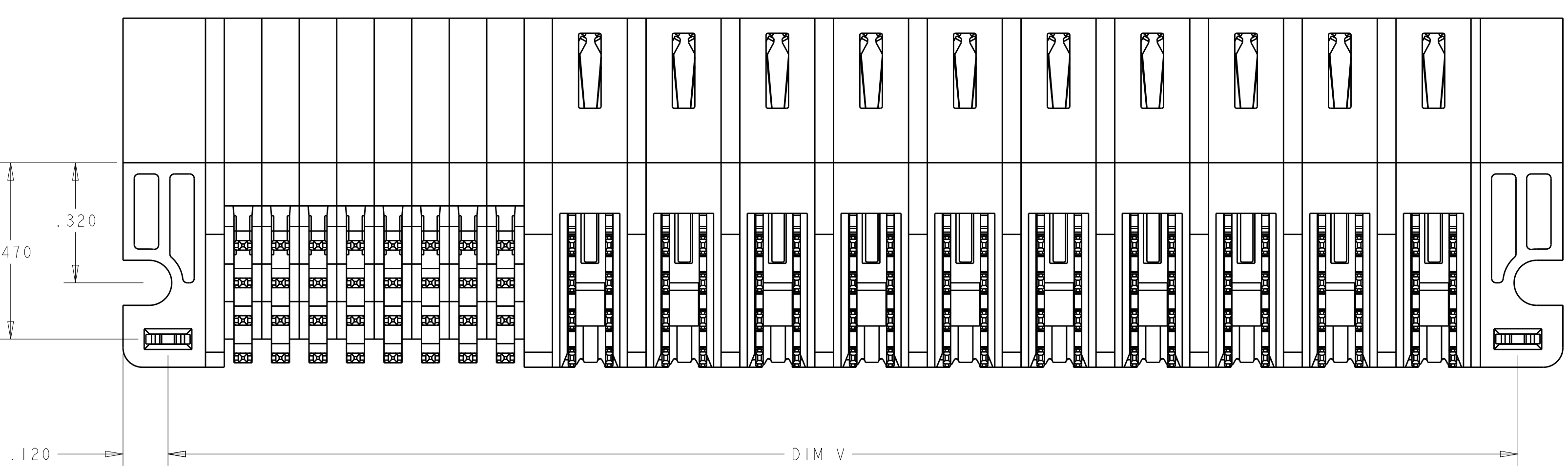
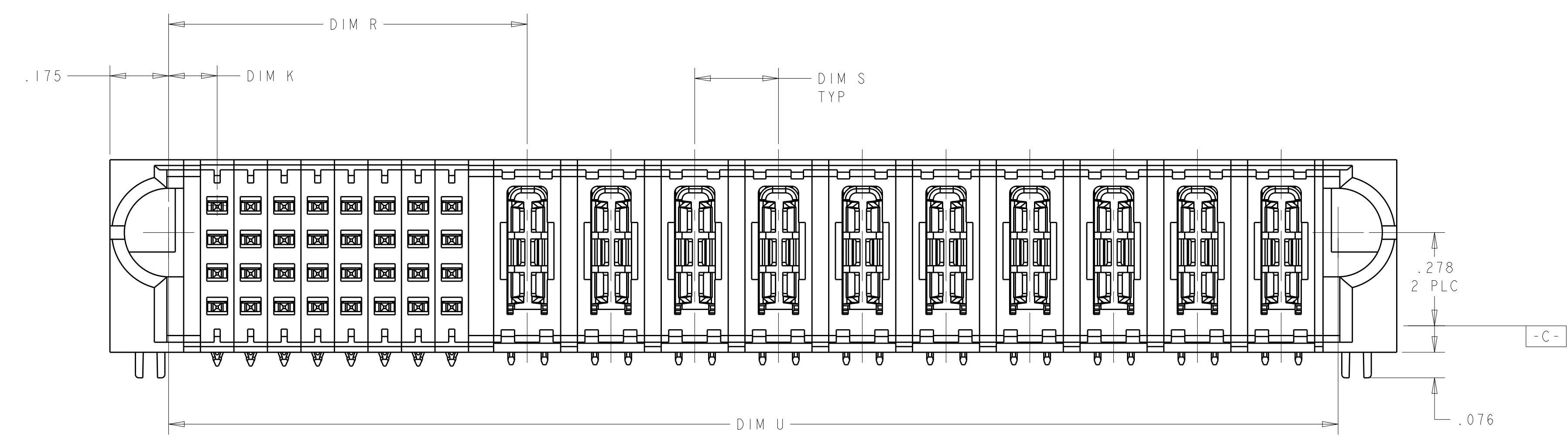
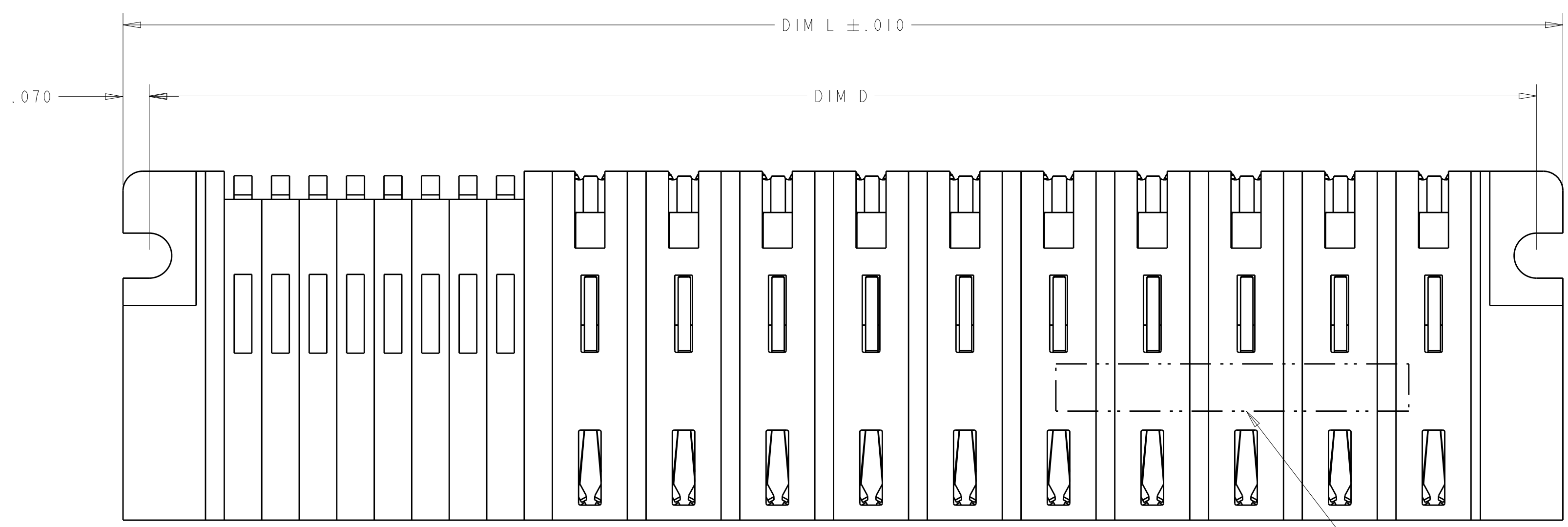
Tel: +86-755-8981 8866 Fax: +86-755-8427 6832

Email & Skype: info@chipsmall.com Web: www.chipsmall.com

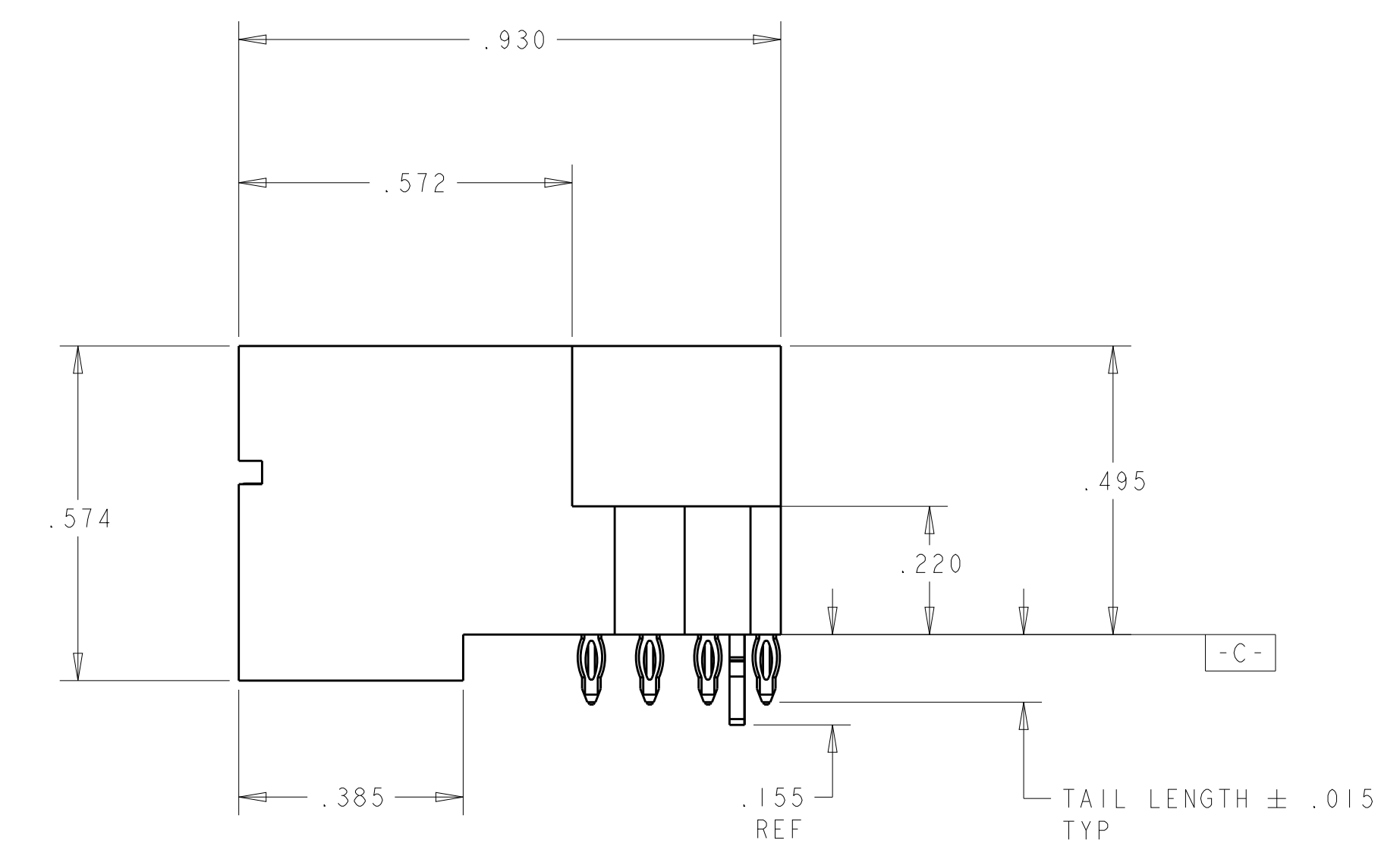
Address: A1208, Overseas Decoration Building, #122 Zhenhua RD., Futian, Shenzhen, China



LOC	DIST	REVISIONS					
		P	LTN	DESCRIPTION	DATE	DWN	APVD
ES	00						
		C2		ADD NEW PART 6450841-6	19MAY2011	AY	SZ
		C3		ADD NEW DASH NUMBER -8	22APR2014	AL	SZ
		C5		ADD NEW DASH NUMBER -9	21JUN2014	CZ	SZ



- 1 "AMP", PART NUMBER, AND DATECODE TO BE MARKED IN AREA SHOWN. PARTS UNDER 2.00 LONG MAY BE MARKED ON BOTH SIDES.
- 2 MATERIAL: HOUSING - GLASS FILLED HIGH TEMP THERMO PLASTIC, BLACK, UL94 V-0
SIGNAL CONTACT - COPPER ALLOY
POWER CONTACT - HIGH CONDUCTIVITY COPPER ALLOY
- 3 CONTACT PLATING: NOBLE METAL PLATING ON CONTACT FUNCTIONAL AREA OF POWER AND SIGNAL CONTACTS
- 4 MECHANICAL CONNECTOR KEEP OUT ZONE.
- 5 DATUM AND BASIC DIMENSIONS ESTABLISHED BY CUSTOMER.
- 6 PCB - HOLE DIAMETERS ARE FINISHED HOLE SIZE.
- 7 PCB - .0453±.0010 DRILLED HOLES PLATED WITH .0003 MIN Sn OVER .001 TO .003 Cu PLATING TO ACHIEVE A .040 DIA HOLE.
- 9 FOR CONFIGURATION S/LP/P, PLEASE SEE SHEET 2.



C4	DIM T	DIM W	DIM V	DIM R	DIM U	DIM S	DIM D	DIM L	DIM K	DESCRIPTION	PART NUMBER
-	-	2.200	.695	2.090	.300	2.300	2.440	.095		20S + 5ACP	6450841-9
-	-	2.250	.570	2.140	.200	2.350	2.490	.095		16S + 8HDP	6450841-8
-	-	2.700	-	2.590	-	2.800	2.940	.095		100S	6450841-6
-	-	1.800	.770	1.690	.250	1.900	2.040	.095		24S + 4P	6450841-5
-	-	.600	-	.490	-	.700	.840	.095		16S	6450841-4
9	.115	1.4525	4.830	1.775	4.720	.250	4.930	5.070	.095	52S + 2LP + 12P	6450841-2
-	-	3.600	1.070	3.490	.250	3.700	3.840	.145		32S + 10P	6450841-1

THIS DRAWING IS A CONTROLLED DOCUMENT.

DIMENSIONS: INCHES

TOLERANCES UNLESS OTHERWISE SPECIFIED:

0 PLC	±
1 PLC	±.13
2 PLC	±.13
3 PLC	±.0020
4 PLC	±
ANGLES	±.7°

MATERIAL: - FINISH: -

APPROVED: VINCENT QIAO (15AUG2008), SUNY ZHAO (15AUG2008), S. YAO (15AUG2008)

NAME: RIGHT ANGLE HEADER W/ LP CONTACT AND SHORT END MODULES MULTI-BEAM XLE

PRODUCT SPEC: 108-2292

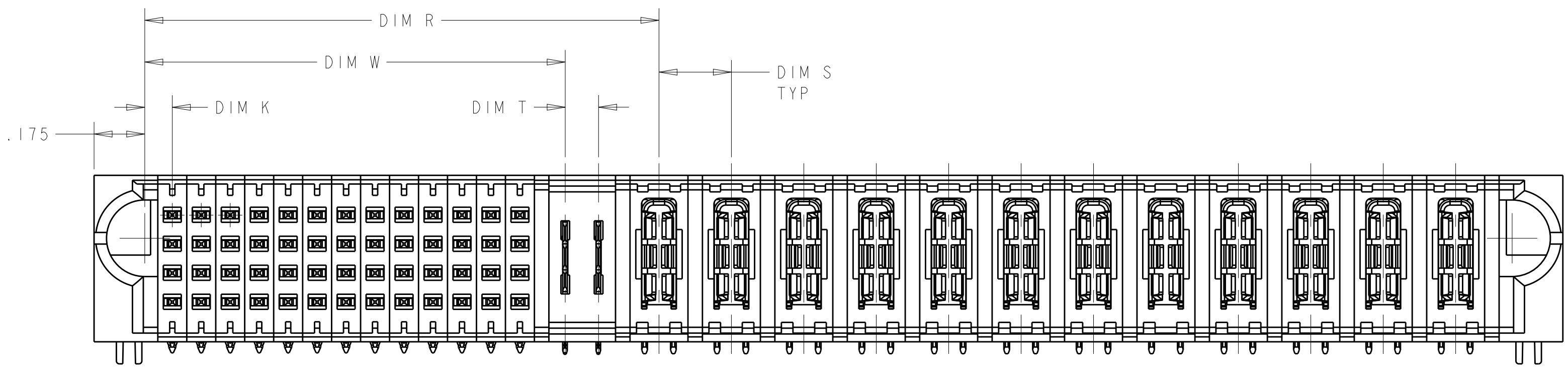
APPLICATION SPEC: 114-13038

SIZE: A100779


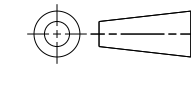
SCALE: 1:1 SHEET 1 OF 6 REV C5

THIS DRAWING IS UNPUBLISHED. RELEASED FOR PUBLICATION 20
 COPYRIGHT 20 BY - ALL RIGHTS RESERVED.

LOC	DIST	REVISIONS					
		P	LTN	DESCRIPTION	DATE	DMN	APVD
ES	00	-	-	SEE SHEET 1	-	-	-



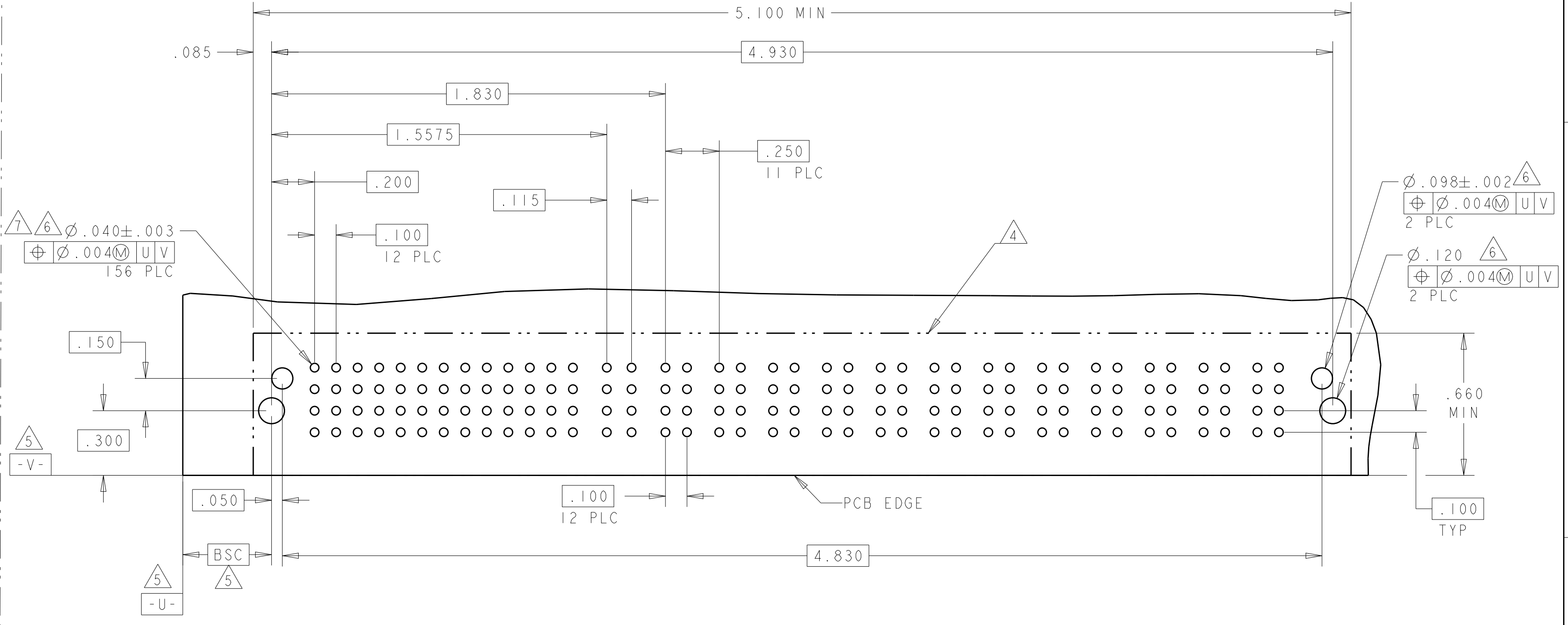
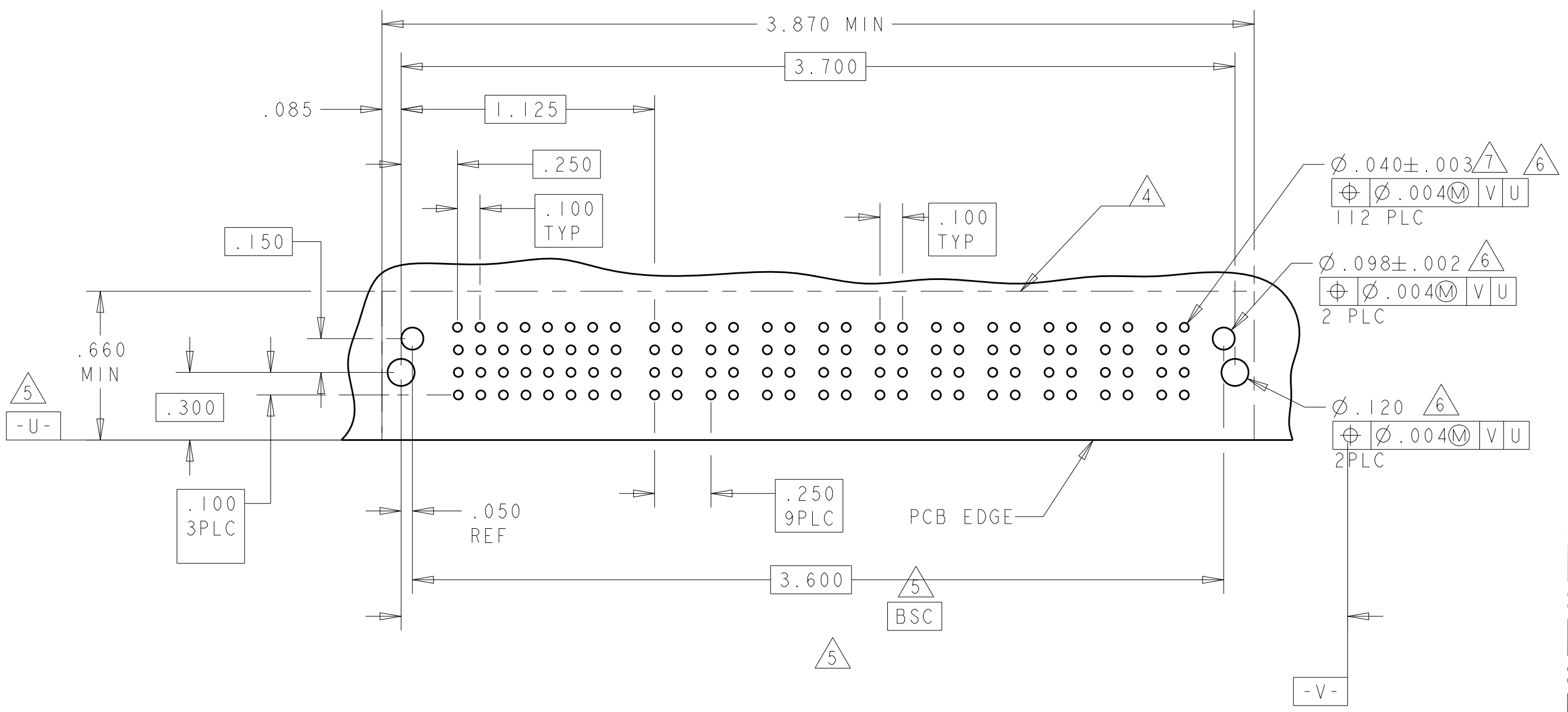
FOR CONFIGURATION S/LP/P, OTHER DIMENSIONS PLEASE SEE SHEET 1

THIS DRAWING IS A CONTROLLED DOCUMENT.		DMN VINCENT QIAO 15AUG2008	 TE Connectivity
DIMENSIONS: INCHES		CHK SUNY ZHAO 15AUG2008	
TOLERANCES UNLESS OTHERWISE SPECIFIED: 0 PLC ±. 1 PLC ±. 2 PLC ±.13 3 PLC ±0.0020 4 PLC ±. ANGLES ±2° FINISH		APVD S. YAO 15AUG2008	NAME
		PRODUCT SPEC	RIGHT ANGLE HEADER W/ LP CONTACT AND SHORT END MODULES MULTI-BEAM XLE
MATERIAL		APPLICATION SPEC	RESTRICTED TO
		114-13038	SIZE CAGE CODE DRAWING NO
		WEIGHT	A100779C=6450841
		CUSTOMER DRAWING	SCALE 1:1 SHEET 2 OF 6 REV C5

LOC	DIST	REVISIONS			
ES	00	REV	DATE	BY	APPD
		1	SEE SHEET 1		

PART NUMBER	ROWS	SIGNAL								POWER									
		1	2	3	4	5	6	7	8	P1	P2	P3	P4	P5	P6	P7	P8	P9	P10
6450841-1	D C B A	Z5	Z5	Z5	Z5	Z5	Z5	Z5	Z5	TT	TT	TT	TT	TT	TT	TT	TT	TT	TT
		Y5	Y5	Y5	Y1	Y1	Y5	Y5	Y5										
		R5	R5	R5	R1	R1	R5	R5	R5										
		O5	O5	O5	O5	O5	O5	O5											
32S + 10P		HD		HD															

PART NUMBER	ROWS	SIGNAL													POWER													
		1	2	3	4	5	6	7	8	9	10	11	12	13	LP1	LP2	P1	P2	P3	P4	P5	P6	P7	P8	P9	P10	P11	P12
6450841-2	D C B A	Z5	Z5	Z5	Z5	Z5	Z5	Z5	Z5	Z5	Z5	Z5	Z5	Z5	LT	LT	TT	TT	TT	TT	TT	TT	TT	TT	TT	TT	TT	TT
		Y5	Y5	Y5	Y5	Y5	Y5	Y5	Y5	Y5	Y5	Y5	Y5	Y5														
		R5	R5	R5	R5	R5	R5	R5	R5	R5	R5	R5	R5	R5														
		O5	O5	O5	O5	O5	O5	O5	O5	O5	O5	O5	O5															
52S + 2LP + 12P		HD		HD																								



DESCRIPTION	IDENTIFIER
HOLD DOWN	HD
.120 SIGNAL MLBF PRESS FIT CON, ROW A	O1
.120 SIGNAL MLBF PRESS FIT CON, ROW B	R1
.120 SIGNAL MLBF PRESS FIT CON, ROW C	Y1
.120 SIGNAL MLBF PRESS FIT CON, ROW D	Z1
.120 SIGNAL PRESS FIT CON, ROW A,STD	O5
.120 SIGNAL PRESS FIT CON, ROW B,STD	R5
.120 SIGNAL PRESS FIT CON, ROW C,STD	Y5
.120 SIGNAL PRESS FIT CON, ROW D,STD	Z5
.120 PRESS FIT LOW POWER CON	LT
.120 PRESS FIT POWER CON	TT

THIS DRAWING IS A CONTROLLED DOCUMENT. DWG: VINCENT QIAO 15AUG2008
 CHK: SUNY ZHAO 15AUG2008
 APVD: S. YAO 15AUG2008

STE TE Connectivity

NAME: RIGHT ANGLE HEADER W/ LP CONTACT AND SHORT END MODULES MULTI-BEAM XLE

PRODUCT SPEC: 108-2292
 APPLICATION SPEC: 114-13038

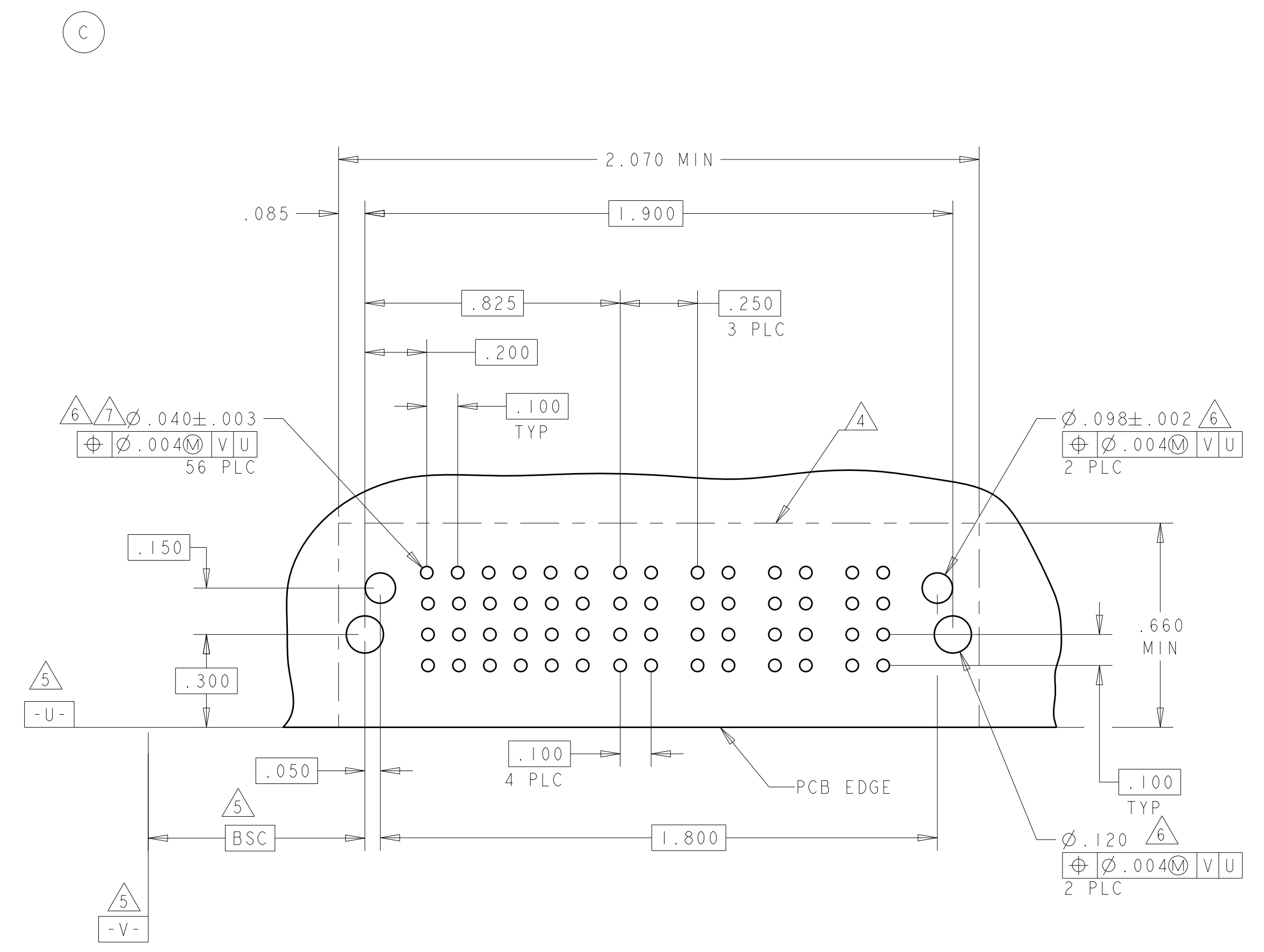
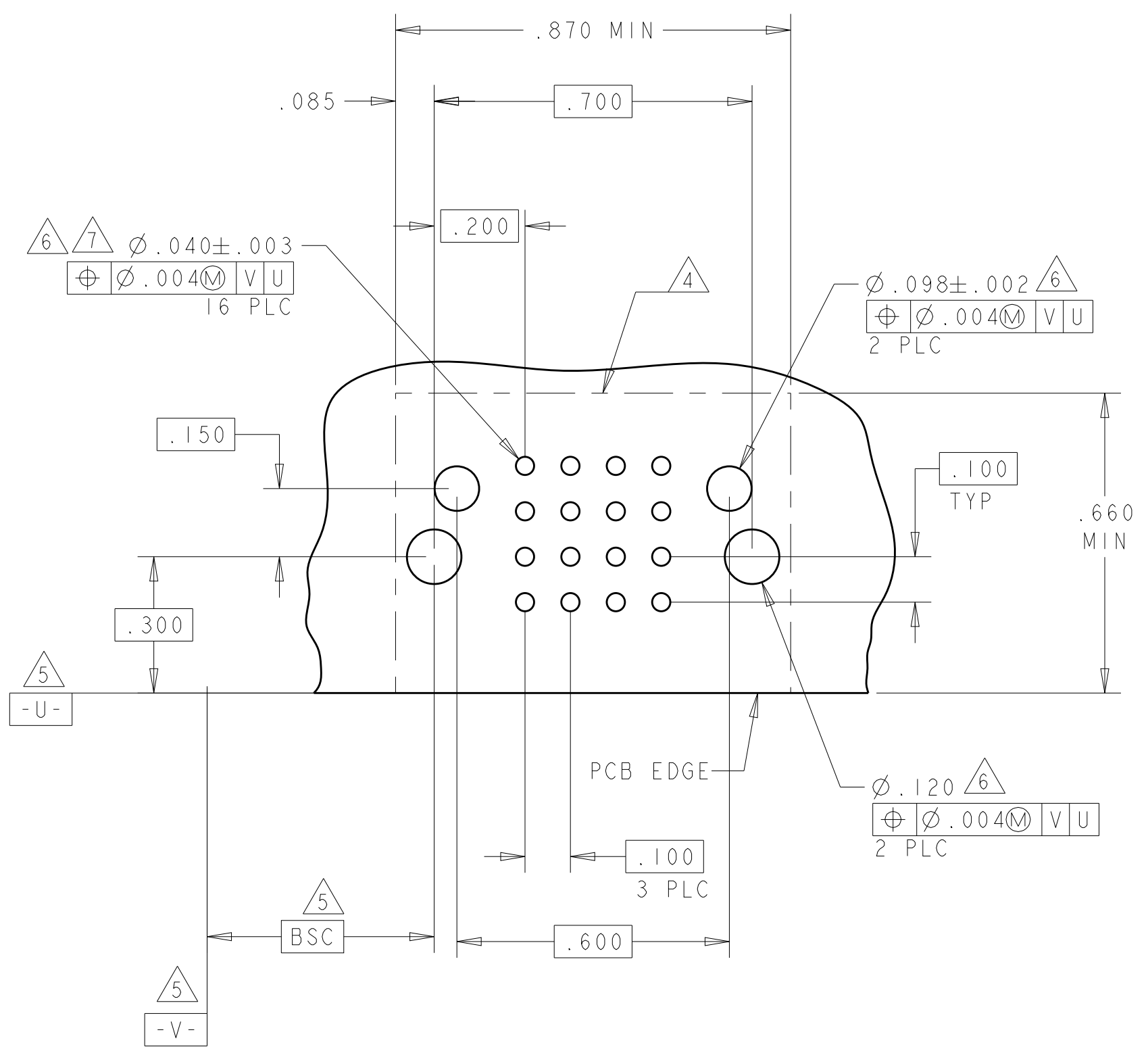
SIZE: A1 00779 C=6450841
 SCALE: 1:1 SHEET 3 OF 6 REV: C5

MATERIAL: - FINISH: - WEIGHT: - CUSTOMER DRAWING

LOC	DIST	REVISIONS			
P	LTN	DESCRIPTION	DATE	DWN	APVD
ES	00	SEE SHEET 1			

PART NUMBER	ROWS	SIGNAL			
		1	2	3	4
6450841-4	D	Z5	Z5	Z5	Z5
	C	Y5	Y5	Y5	Z5
	B	R5	R5	R5	R5
	A	O5	O5	O5	O5

PART NUMBER	ROWS	SIGNAL						POWER			
		1	2	3	4	5	6	P1	P2	P3	P4
6450841-5	D	Z5	Z5	Z5	Z5	Z5	Z5	TT	TT	TT	TT
	C	Y5	Y5	Y5	Y5	Y5	Y5				
	B	R5	R5	R5	R5	R5	R5				
	A	O5	O5	O5	O5	O5	O1				



THIS DRAWING IS A CONTROLLED DOCUMENT.

DWN: VINCENT QIAO 15AUG2008
 CHK: SUNY ZHAO 15AUG2008
 APVD: S. YAO 15AUG2008

DIMENSIONS: INCHES
 TOLERANCES UNLESS OTHERWISE SPECIFIED:
 0 PLC ±
 2 PLC ±.13
 3 PLC ±0.0020
 4 PLC ±
 ANGLES ±2°
 FINISH

MATERIAL: -
 FINISH: -

PRODUCT SPEC: 108-2292
 APPLICATION SPEC: 114-13038
 WEIGHT: -

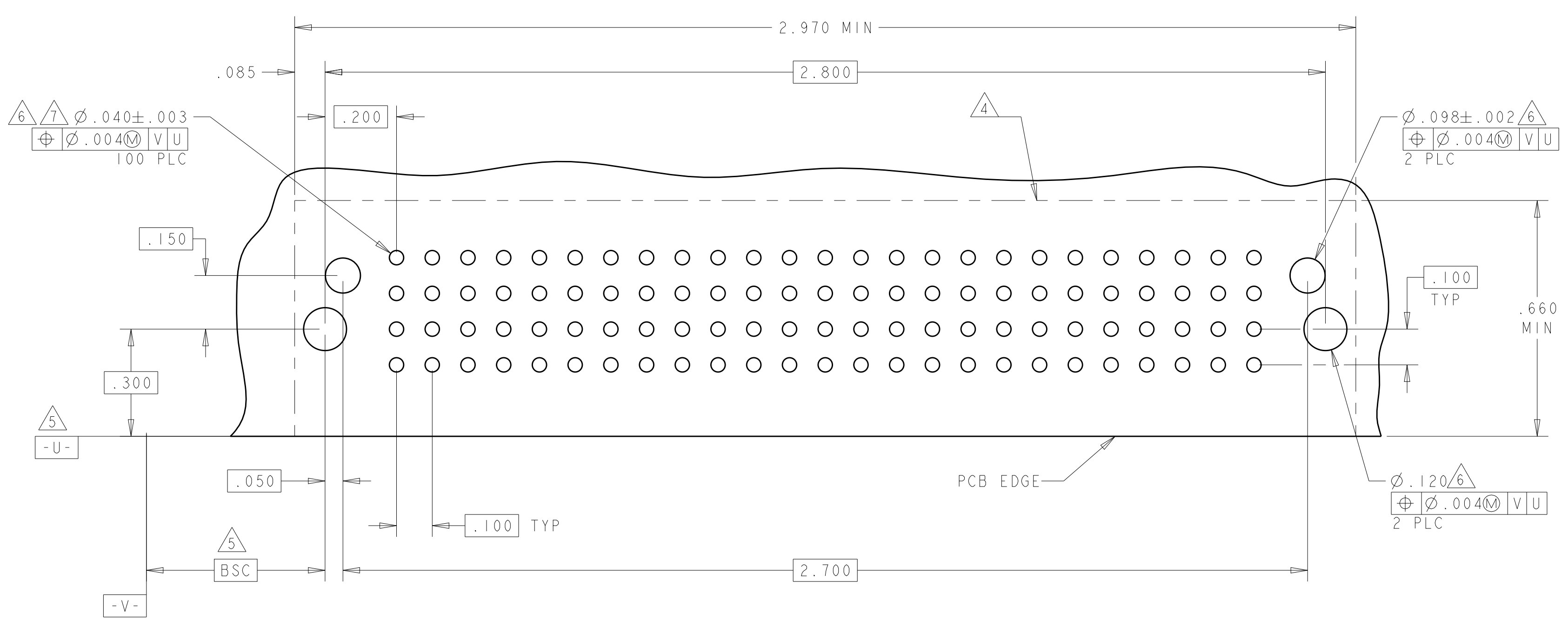
NAME: RIGHT ANGLE HEADER W/ LP CONTACT AND SHORT END MODULES MULTI-BEAM XLE
 SIZE: A100779
 CAGE CODE: 6450841
 DRAWING NO: 6450841

RESTRICTED TO: -
 SCALE: 1:1
 SHEET: 4 OF 6
 REV: C5

CUSTOMER DRAWING

LOC	DIST	REVISIONS			
P	LTN	DESCRIPTION	DATE	DWN	APVD
-	-	SEE SHEET 1	-	-	-

PART NUMBER	ROWS	SIGNAL																								
		1	2	3	4	5	6	7	8	9	10	11	12	13	14	15	16	17	18	19	20	21	22	23	24	25
6450841-6	D	Z5	Z5	Z5	Z5	Z5	Z5	Z5	Z5	Z5	Z5	Z5	Z5	Z5	Z5	Z5	Z5	Z5	Z5	Z5	Z5	Z5	Z5	Z5	Z5	Z5
	C	Y5	Y5	Y5	Y5	Y5	Y5	Y5	Y5	Y5	Y5	Y5	Y5	Y5	Y5	Y5	Y5	Y5	Y5	Y5	Y5	Y5	Y5	Y5	Y5	Y5
	B	R5	R5	R5	R5	R5	R5	R5	R5	R5	R5	R5	R5	R5	R5	R5	R5	R5	R5	R5	R5	R5	R5	R5	R5	R5
	A	HD	O5	O5	O5	O5	O5	O5	O5	O5	O5	O5	O5	O5	O5	O5	O5	O5	O5	O5	O5	O5	O5	O5	O5	O5
100S																										HD

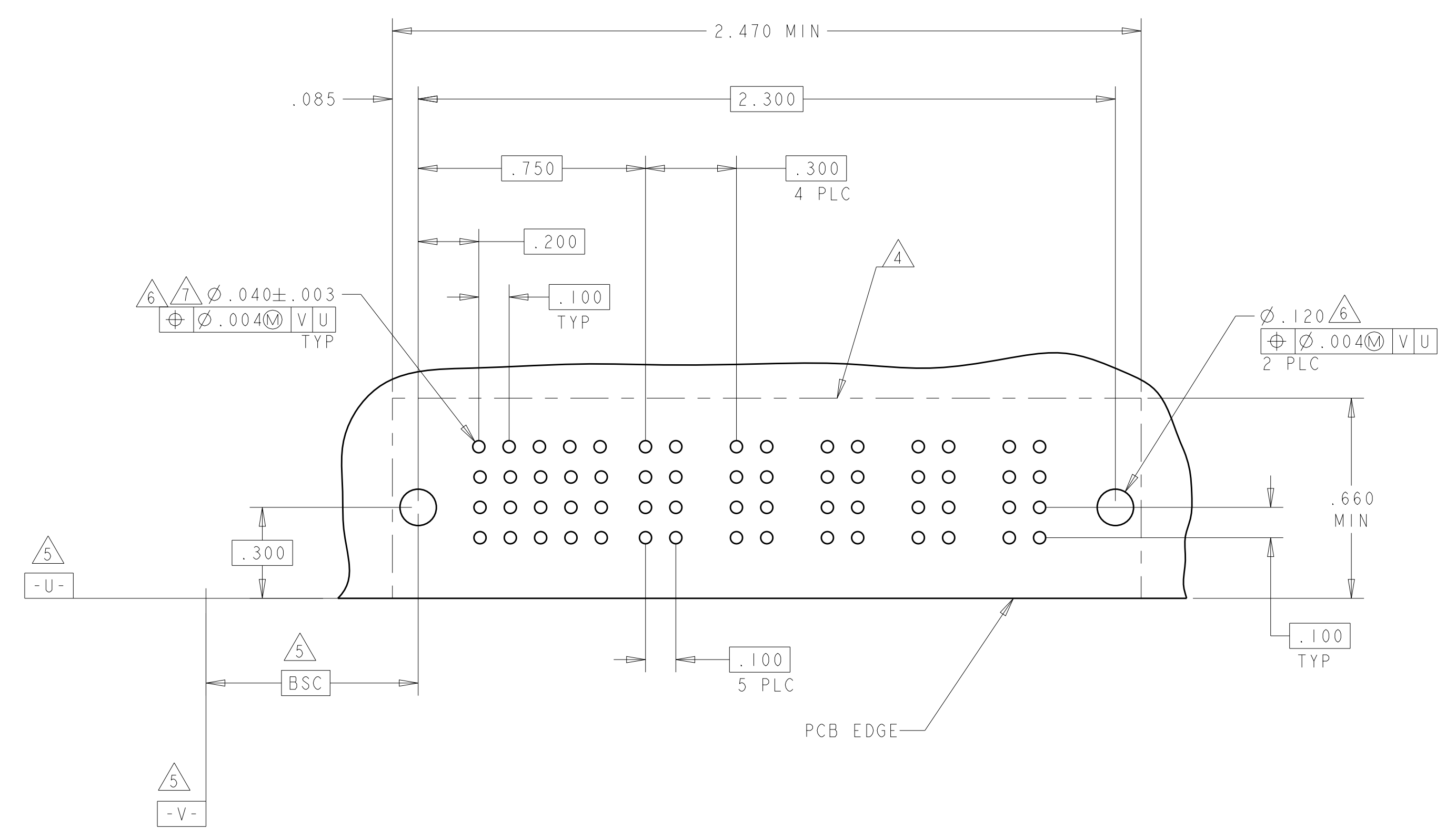
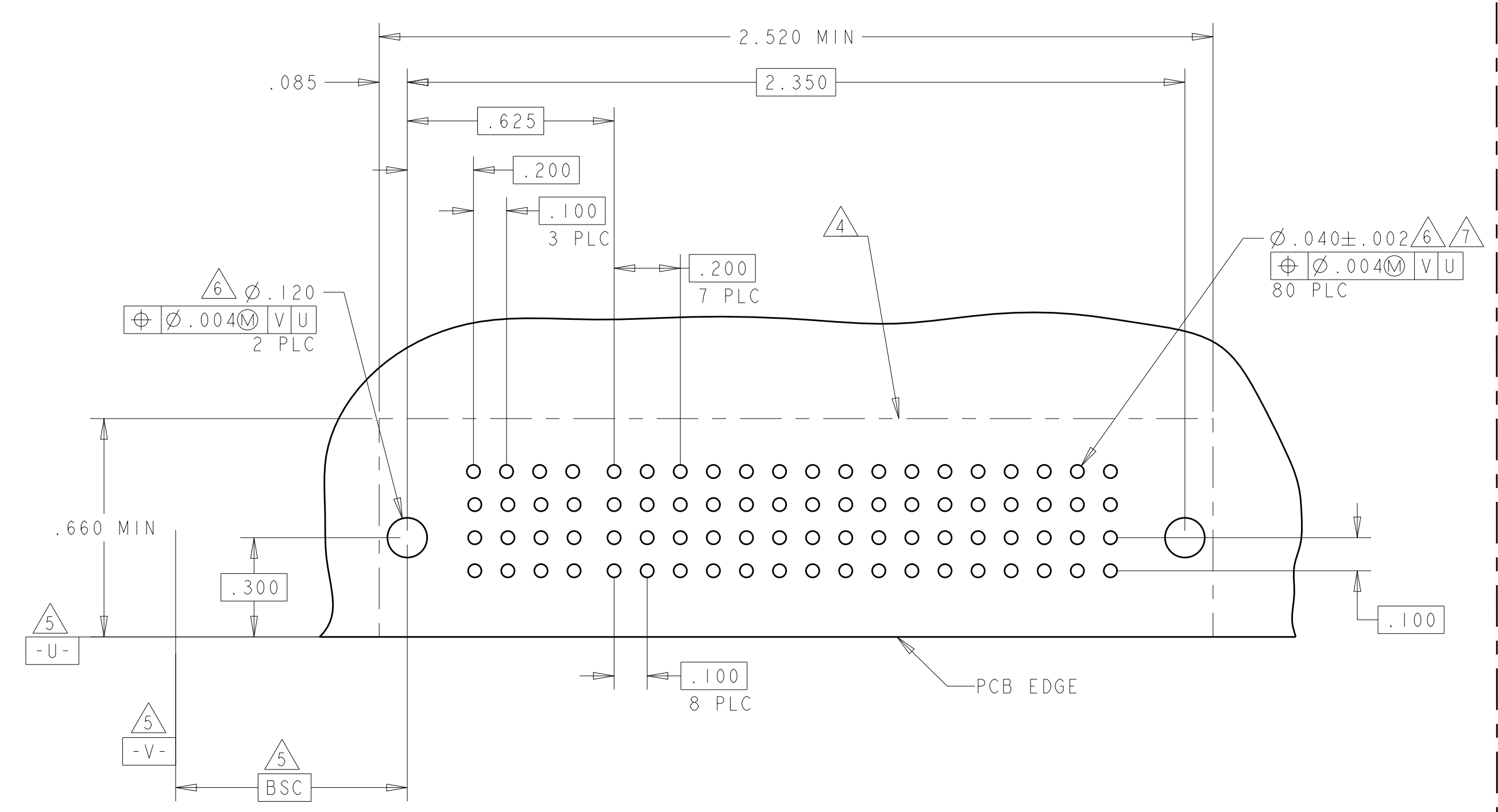


THIS DRAWING IS A CONTROLLED DOCUMENT.		DWN: VINCENT QIAO 15AUG2008	TE Connectivity
DIMENSIONS: INCHES		CHK: SUNY ZHAO 15AUG2008	
TOLERANCES UNLESS OTHERWISE SPECIFIED:		APVD: S. YAO 15AUG2008	NAME: RIGHT ANGLE HEADER W/ LP CONTACT AND SHORT END MODULES MULTI-BEAM XLE
0 PLC ±. 1 PLC ±. 2 PLC ±.13 3 PLC ±0.0020 4 PLC ±. ANGLES ±7°		PRODUCT SPEC: 108-2292	SIZE: A1
MATERIAL: -		APPLICATION SPEC: 114-13038	CAGE CODE: C=6450841
FINISH: -		WEIGHT: -	RESTRICTED TO: -
CUSTOMER DRAWING		SCALE: 1:1	SHEET 5 OF 6 REV: C5

LOC		DIST		REVISIONS			
P	LTN	DESCRIPTION	DATE	DMN	APVD		
-	-	SEE SHEET 1	-	-	-		

PART NUMBER	ROWS	SIGNAL				POWER								
		1	2	3	4	P1	P2	P3	P4	P5	P6	P7	P8	
6450841-8	D	Z5	Z5	Z5	Z5	TT	TT	TT	TT	TT	TT	TT	TT	TT
	C	Y5	Y5	Y5	Y5	TT	TT	TT	TT	TT	TT	TT	TT	TT
	B	R5	R5	R5	R5	TT	TT	TT	TT	TT	TT	TT	TT	TT
	A	O5	O5	O5	O5									
16S + 8HDP														

PART NUMBER	ROWS	SIGNAL					POWER				
		1	2	3	4	5	P1	P2	P3	P4	P5
6450841-9	D	Z5	Z5	Z5	Z5	Z1					
	C	Y5	Y5	Y5	Y5	Y1	TT	TT	TT	TT	TT
	B	R5	R5	R5	R5	R1					
	A	O5	O5	O5	O5	O1					
20S + 5ACP											



THIS DRAWING IS A CONTROLLED DOCUMENT.		DMN VINCENT QIAO 15AUG2008	 TE Connectivity
DIMENSIONS: INCHES		CHK SUNY ZHAO 15AUG2008	
TOLERANCES UNLESS OTHERWISE SPECIFIED:		APVD S. YAO 15AUG2008	NAME
0 PLC ±		PRODUCT SPEC	RIGHT ANGLE HEADER
1 PLC ±13		APPLICATION SPEC	W/ LP CONTACT AND SHORT END MODULES
2 PLC ±0.0020		SCALE	MULTI-BEAM XLE
3 PLC ±		WEIGHT	SIZE CAGE CODE DRAWING NO
4 PLC ±		CUSTOMER DRAWING	A100779C=6450841
ANGLES ±2°		SCALE 1:1	SHEET 6 OF 6
FINISH		REV C5	