



Chipsmall Limited consists of a professional team with an average of over 10 year of expertise in the distribution of electronic components. Based in Hongkong, we have already established firm and mutual-benefit business relationships with customers from,Europe,America and south Asia,supplying obsolete and hard-to-find components to meet their specific needs.

With the principle of “Quality Parts,Customers Priority,Honest Operation,and Considerate Service”,our business mainly focus on the distribution of electronic components. Line cards we deal with include Microchip,ALPS,ROHM,Xilinx,Pulse,ON,Everlight and Freescale. Main products comprise IC,Modules,Potentiometer,IC Socket,Relay,Connector.Our parts cover such applications as commercial,industrial, and automotives areas.

We are looking forward to setting up business relationship with you and hope to provide you with the best service and solution. Let us make a better world for our industry!



Contact us

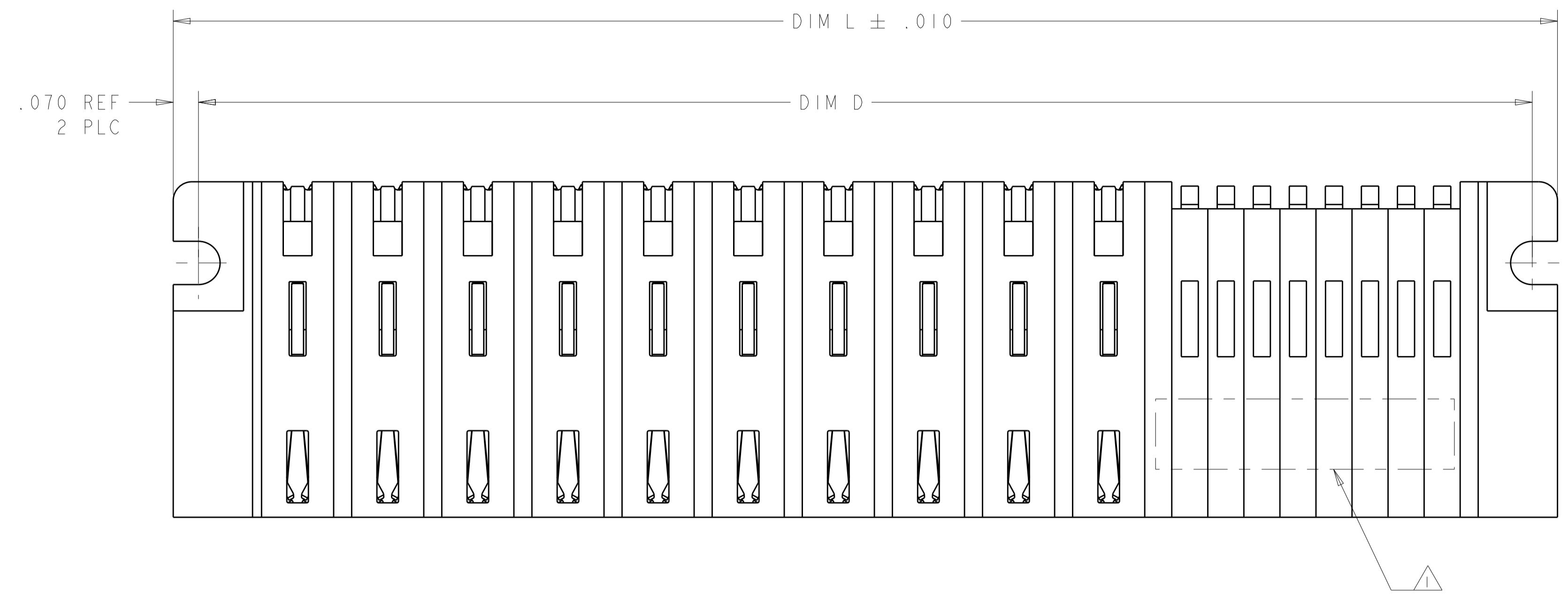
Tel: +86-755-8981 8866 Fax: +86-755-8427 6832

Email & Skype: info@chipsmall.com Web: www.chipsmall.com

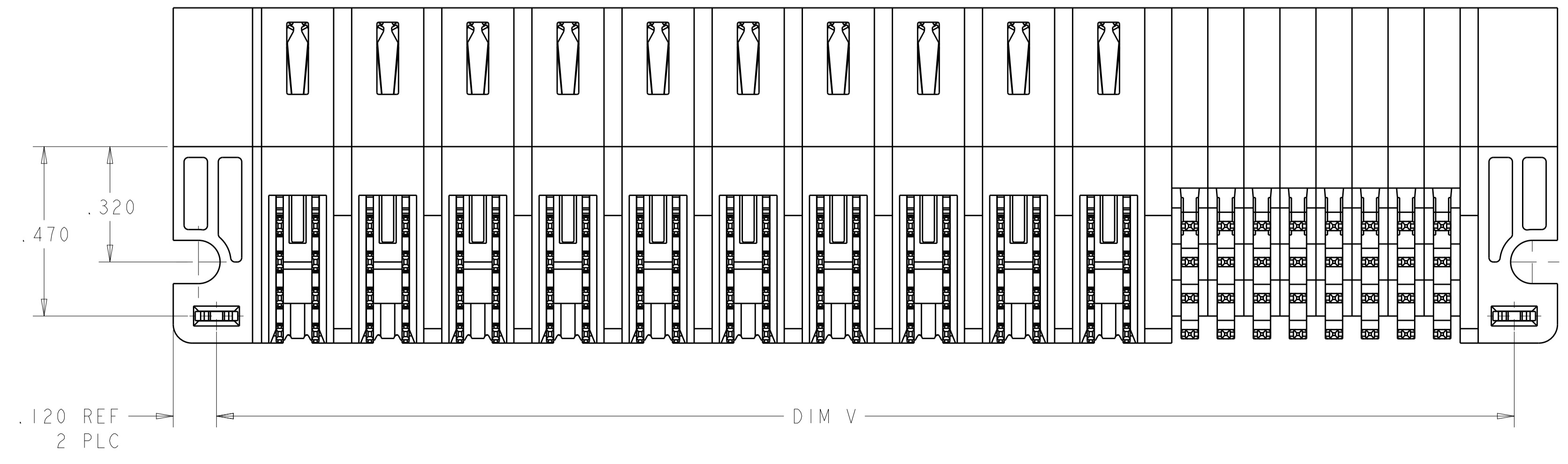
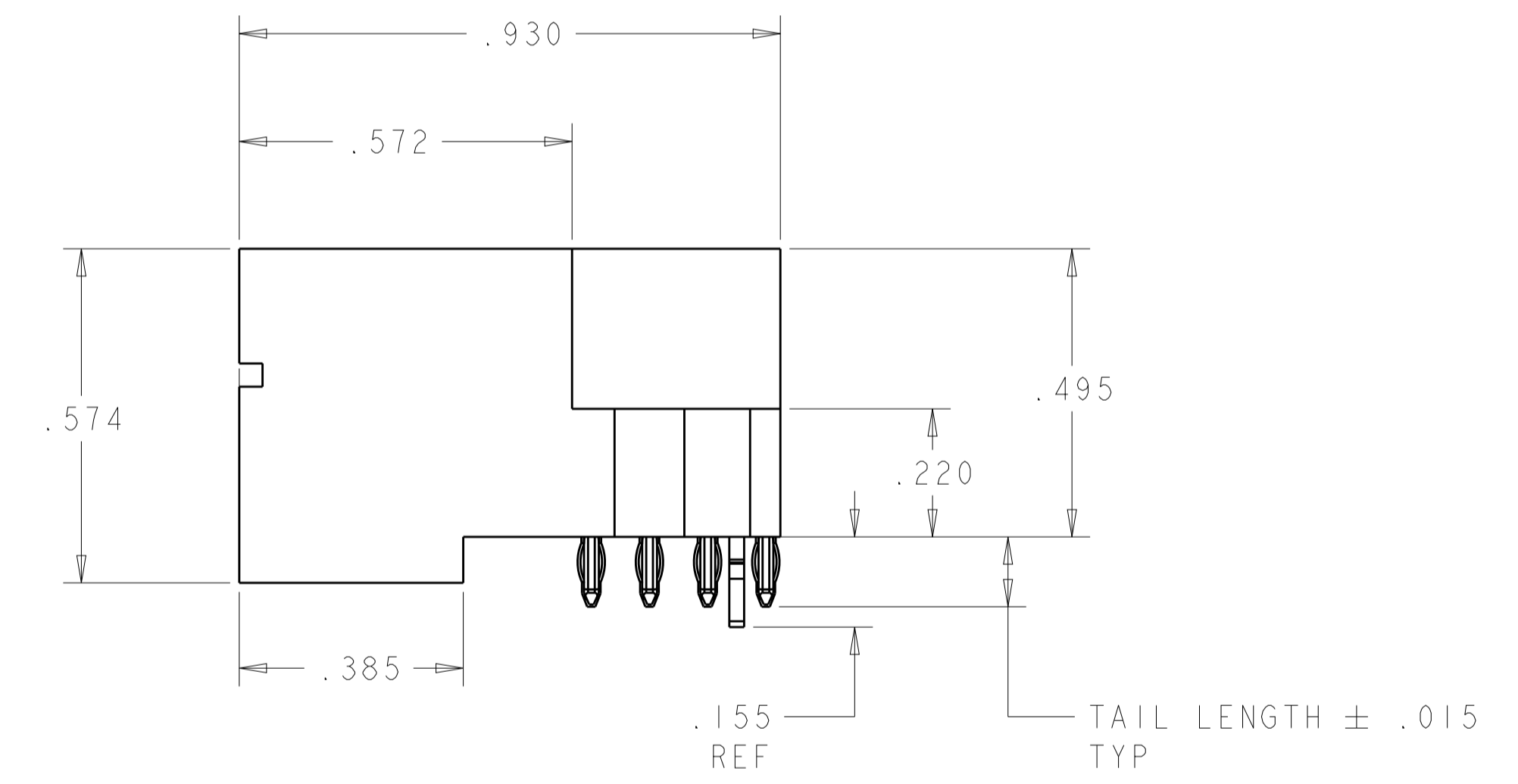
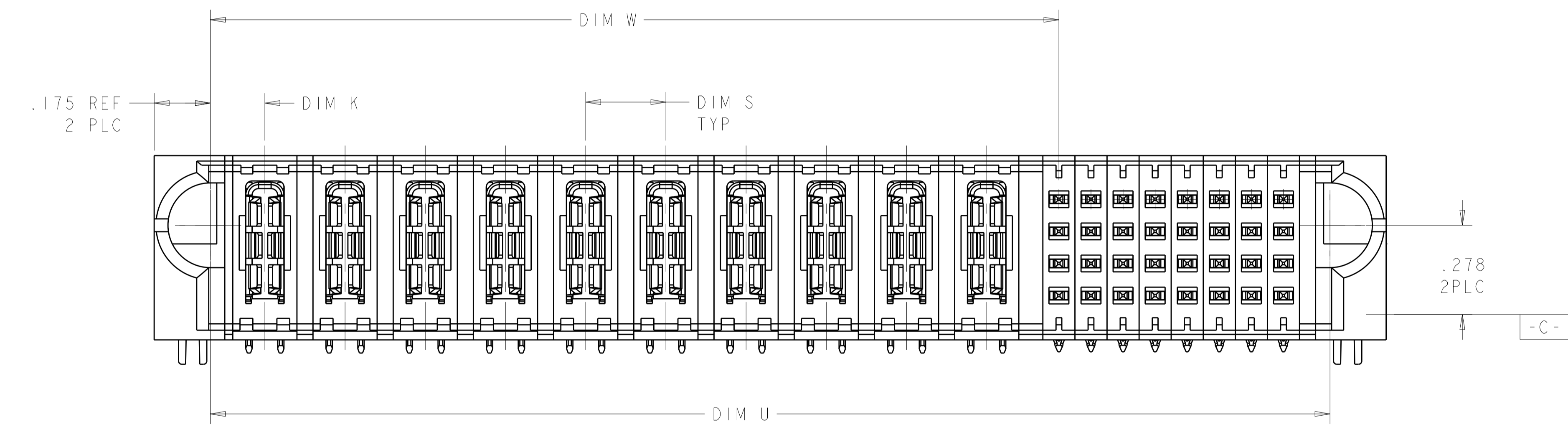
Address: A1208, Overseas Decoration Building, #122 Zhenhua RD., Futian, Shenzhen, China



LOC	DIST	REVISIONS					
		P	LTN	DESCRIPTION	DATE	DWN	APVD
ES	00	B		REVISED I-O BY CUSTOMER	04MAR2015	CZ	SZ



- 1 "AMP", PART NUMBER, AND DATECODE TO BE MARKED IN AREA SHOWN. PARTS UNDER 2.00 LONG MAY BE MARKED ON BOTH SIDES.
- 2 MATERIAL: HOUSING - GLASS FILLED HIGH TEMP THERMO PLASTIC, BLACK, UL94 V-0
 SIGNAL CONTACT - COPPER ALLOY
 POWER CONTACT - HIGH CONDUCTIVITY COPPER ALLOY
- 3 CONTACT PLATING: NOBLE METAL PLATING ON CONTACT FUNCTIONAL AREA OF POWER AND SIGNAL CONTACTS
- 4 MECHANICAL CONNECTOR KEEP OUT ZONE.
- 5 DATUM AND BASIC DIMENSIONS ESTABLISHED BY CUSTOMER.
- 6 PCB - HOLE DIAMETERS ARE FINISHED HOLE SIZE.
- 7 PCB - .0453±.0010 DRILLED HOLES PLATED WITH .0003 MIN Sn OVER .001 TO .003 Cu PLATING TO ACHIEVE A .040 DIA HOLE.
- 8 NOT RELEASED FOR PRODUCTION.
- 9 VARIABLE DIMENSION SEE TABLE.



DIM V	DIM W	DIM U	DIM S	DIM D	DIM L	DIM K	DESCRIPTION	PART NUMBER
1.025	.620	.915	.250	1.125	1.265	.145	2P + 12S	1-6450842-0
3.550	2.795	3.440	9	3.650	3.790	.170	12P + 24S	6450842-7
3.500	2.795	3.390	9	3.600	3.740	.170	3ACP + 8P + 24S	6450842-5
3.550	3.020	3.440	9	3.650	3.790	.145	13P + 24S	6450842-4
3.500	2.795	3.390	9	3.600	3.740	.170	3ACP + 8P + 24S	6450842-2
3.350	2.445	3.240	9	3.450	3.590	.145	10P + 32S	6450842-3
3.600	2.645	3.490	.250	3.700	3.840	.170	10P + 32S	6450842-1

THIS DRAWING IS A CONTROLLED DOCUMENT. DWN: HESPER LIU 09JUL2008
 CHK: S. ZHAO 09JUL2008
 APVD: S. ZHAO

DIMENSIONS: INCHES
 TOLERANCES UNLESS OTHERWISE SPECIFIED:
 0 PLC ±.
 1 PLC ±.01
 2 PLC ±.01
 3 PLC ±.005
 4 PLC ±.0020
 ANGLES ±.0020

MATERIAL: FINISH:

PRODUCT SPEC: 108-2292
 APPLICATION SPEC: 114-13251
 WEIGHT: -
 CUSTOMER DRAWING

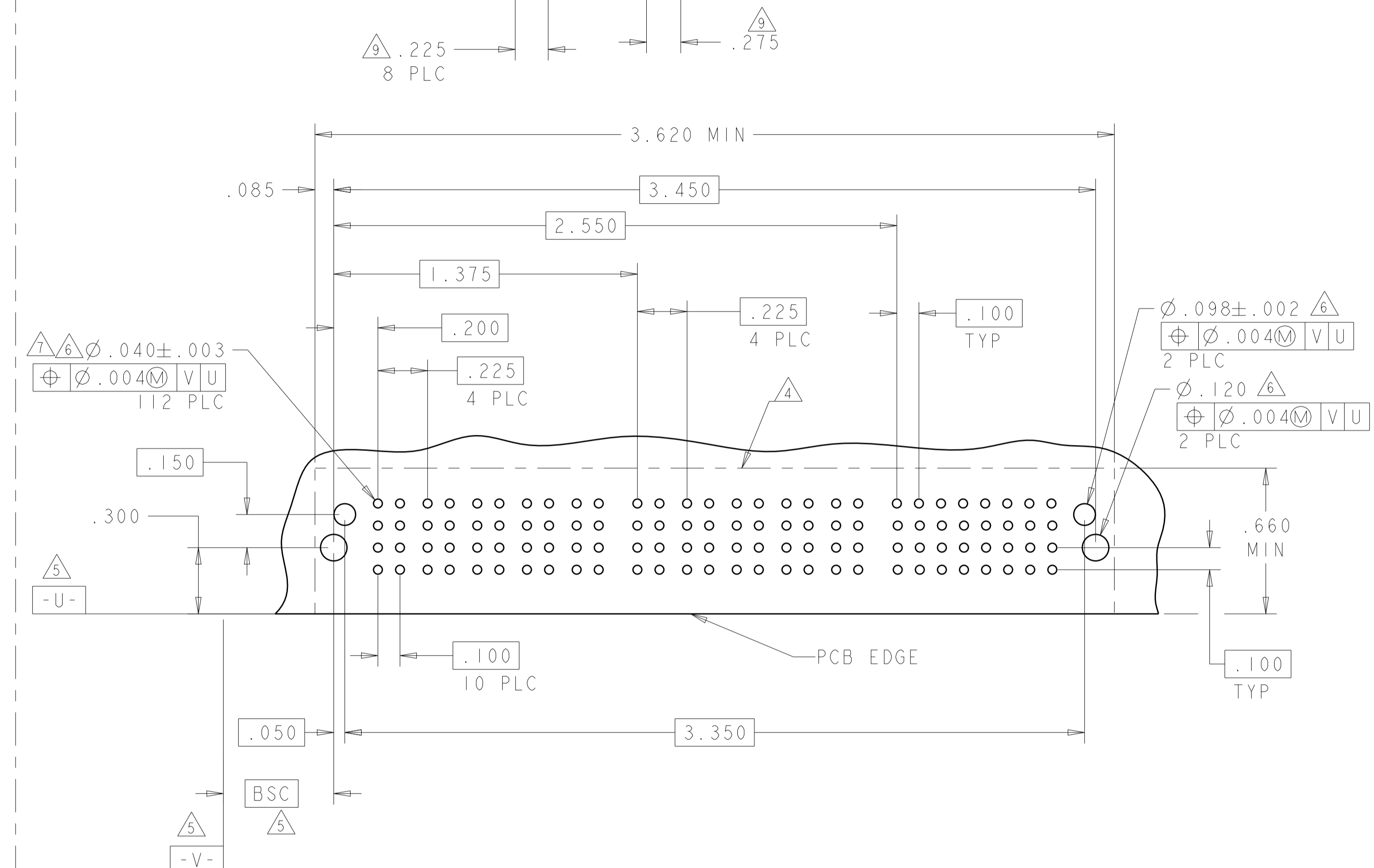
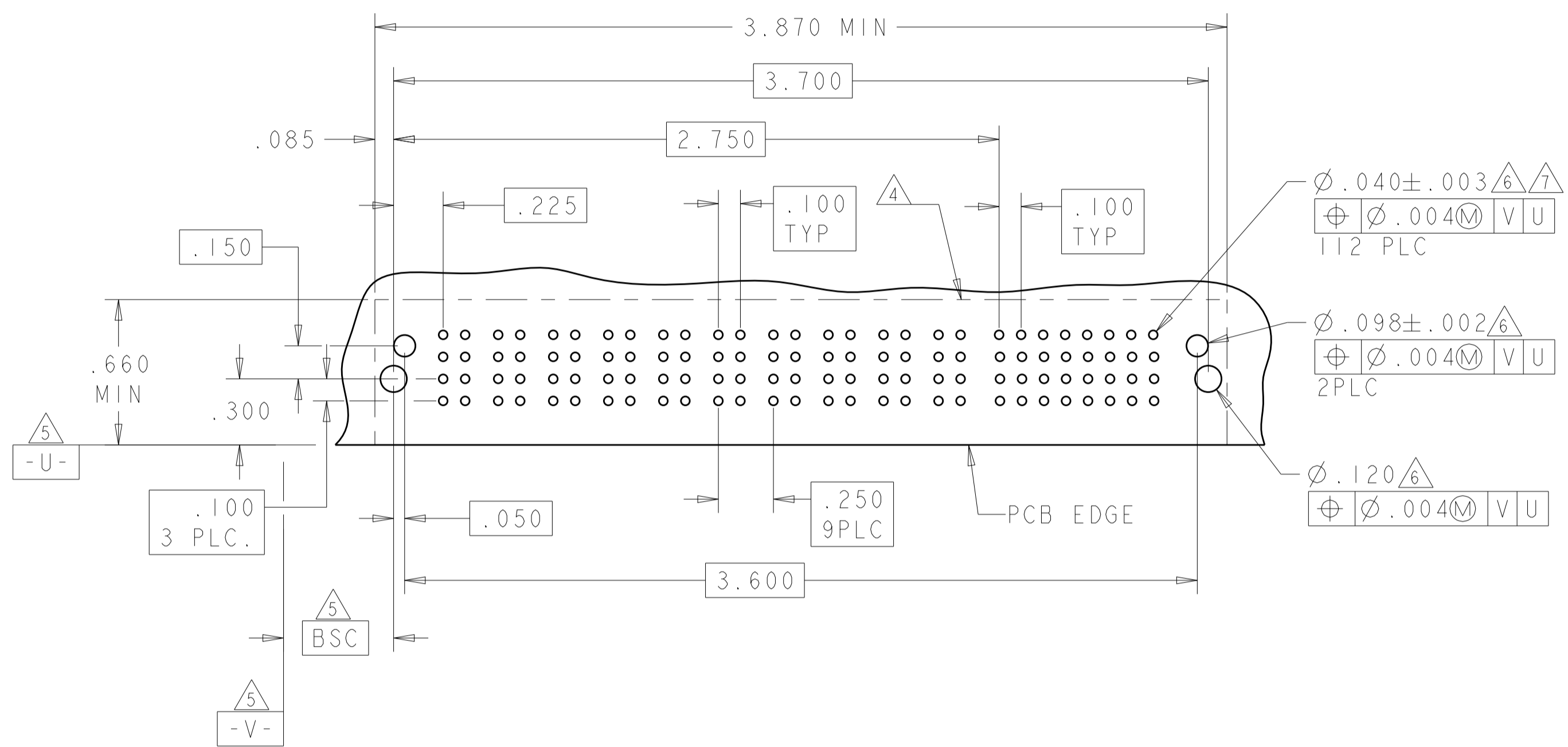
NAME: RIGHT ANGLE HEADER W/ LP CONTACT AND SHORT END MODULES MULTI-BEAM XLE
 SIZE: A1
 CAGE CODE: 6450842
 DRAWING NO: 100779
 SCALE: 4:1
 SHEET: 1 OF 6
 REV: B

STE TE Connectivity

LOC	DIST	REVISIONS			
P	LTN	DESCRIPTION	DATE	DMN	APVD
ES	00	SEE SHEET 1			

PART NUMBER	ROWS	POWER										SIGNAL							
		P1	P2	P3	P4	P5	P6	P7	P8	P9	P10	1	2	3	4	5	6	7	8
6450842-1	D											Z5	Z5	Z5	Z5	Z5	Z5	Z5	Z5
	C	TT	TT	TT	TT	TT	TT	TT	TT	TT	Y5	Y5	Y5	Y1	Y1	Y5	Y5	Y5	
	B										R5	R5	R5	R1	R1	R5	R5	R5	
	A										O5	O5	O5	O5	O5	O5	O5	O5	
10P + 32S																			

PART NUMBER	ROWS	POWER										SIGNAL							
		P1	P2	P3	P4	P5	P6	P7	P8	P9	P10	1	2	3	4	5	6	7	8
6450842-3	D											Z5	Z5	Z5	Z5	Z5	Z5	Z5	Z5
	C	TT	TT	TT	TT	TT	TT	TT	TT	TT	Y5	Y5	Y5	Y5	Y5	Y5	Y5	Y5	
	B										R5	R5	R5	R5	R5	R5	R5	R5	
	A										O1	O1	O1	O1	O1	O1	O1	O1	
10P + 32S																			



DESCRIPTION	IDENTIFIER
HOLD DOWN	HD
.120 SIGNAL MLBF PRESS FIT CON, ROW C	Y1
.120 SIGNAL MLBF PRESS FIT CON, ROW B	R1
.120 SIGNAL MLBF PRESS FIT CON, ROW A	O1
.120 SIGNAL MLBF PRESS FIT CON, ROW D	Z1
.120 SIGNAL PRESS FIT CON, ROW A, STD	O5
.120 SIGNAL PRESS FIT CON, ROW B, STD	R5
.120 SIGNAL PRESS FIT CON, ROW C, STD	Y5
.120 SIGNAL PRESS FIT CON, ROW D, STD	Z5
.120 PRESS FIT POWER CON	TT

THIS DRAWING IS A CONTROLLED DOCUMENT. DIMENSIONS: INCHES. TOLERANCES UNLESS OTHERWISE SPECIFIED: 0 PLC ±.01, 1 PLC ±.01, 2 PLC ±.01, 3 PLC ±.005, 4 PLC ±.002, ANGLES ±.020. MATERIAL: FINISH: CUSTOMER DRAWING. SCALE: 4:1 SHEET 2 OF 6 REV B.

OWN: HESPER LTD	DATE: 09 JUL 2008		TE Connectivity
CHK: S. ZHAO	DATE: 09 JUL 2008		NAME: RIGHT ANGLE HEADER W/ LP CONTACT AND SHORT END MODULES MULTI-BEAM XLE
APVD: S. ZHAO	PRODUCT SPEC: 108-2292	SIZE: 114-13251	RESTRICTED TO: A100779
APPL: S. ZHAO	APPLICATION SPEC: 114-13251	WEIGHT: C=6450842	SCALE: 4:1 SHEET 2 OF 6 REV B

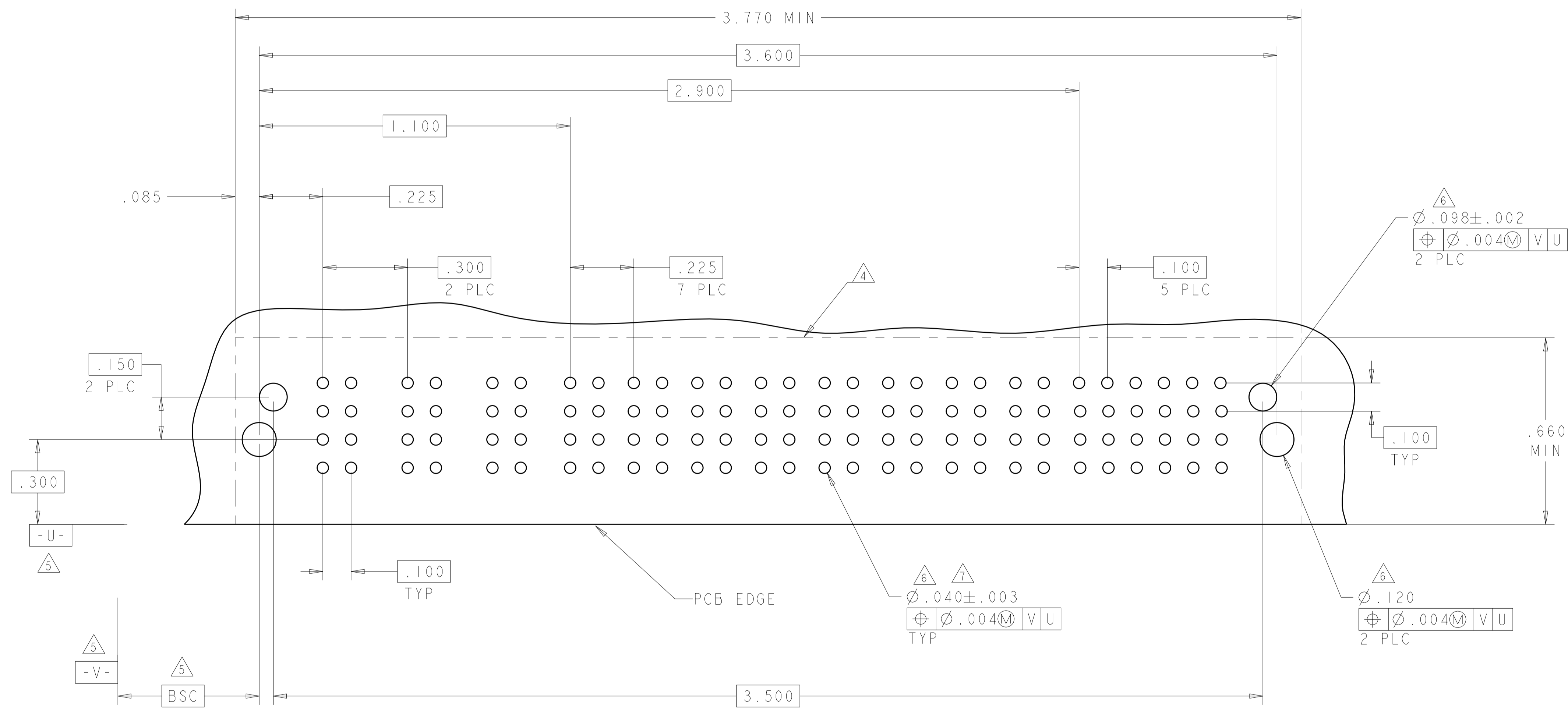
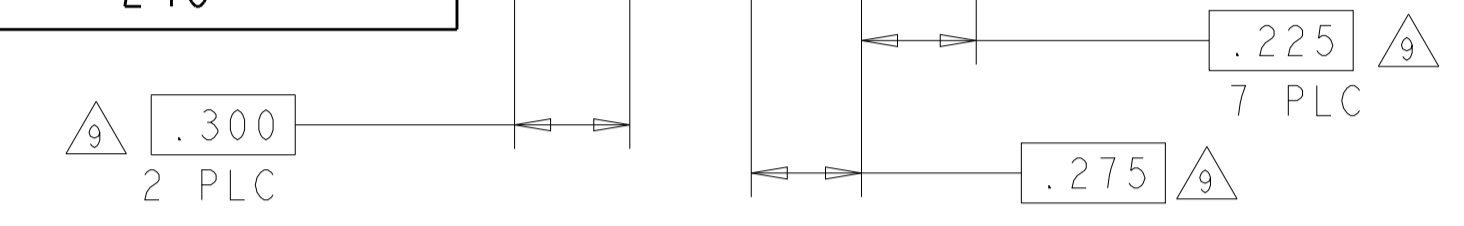
LOC	DIST	REV	DATE	BY	APP'D
ES	00				

REVISIONS		DATE	BY	APP'D
-	SEE SHEET 1	-	-	-

PART NUMBER	ROWS	POWER										SIGNAL					
		P1	P2	P3	P4	P5	P6	P7	P8	P9	P10	P11	1	2	3	4	5
6450842-2	D C B A	TT	TT	TT	TT	TT	TT	TT	TT	TT	TT	Z1	Z1	Z5	Z5	Z1	Z1
												Y5	Y1	Y5	Y5	Y5	Y5
												R5	R1	R1	R1	R1	R1
												O5	O5	O5	O5	O5	O5

PART NUMBER	ROWS	POWER										SIGNAL					
		P1	P2	P3	P4	P5	P6	P7	P8	P9	P10	P11	1	2	3	4	5
6450842-5	D C B A	TT	TT	TT	TT	TT	TT	TT	TT	TT	TT	Z1	Z1	Z5	Z5	Z1	Z1
												Y5	Y1	Y5	Y5	Y5	Y5
												R5	R1	R5	R1	R1	R1
												O5	O5	O5	O5	O5	O5

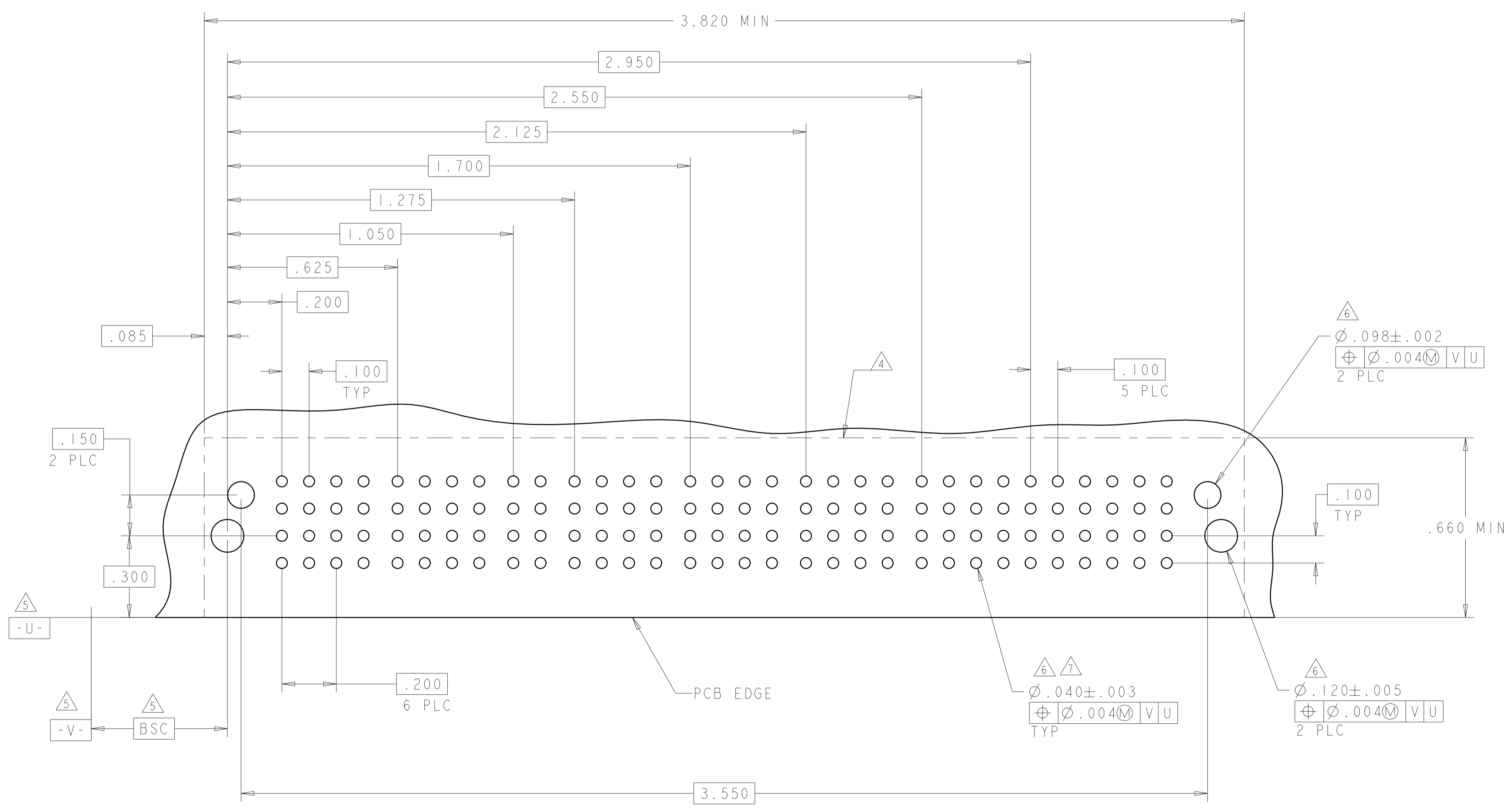
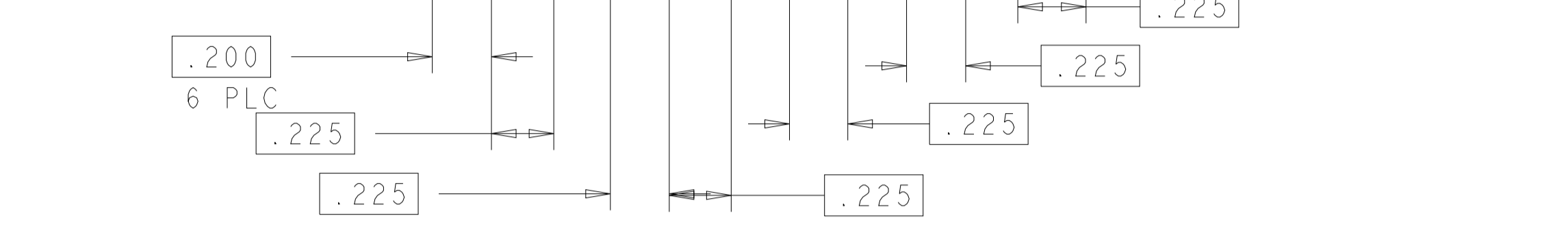
PCB LAYOUT IS THE SAME AS 6450842-2



THIS DRAWING IS A CONTROLLED DOCUMENT.		OWN: HESPER L1U 09JUL2008	TE Connectivity												
DIMENSIONS: INCHES		CHK: S. ZHAO 09JUL2008													
TOLERANCES UNLESS OTHERWISE SPECIFIED:		APVD: S. ZHAO	NAME: RIGHT ANGLE HEADER W/ LP CONTACT AND SHORT END MODULES MULTI-BEAM XLE												
<table border="1"> <tr><td>0 PLC</td><td>±</td></tr> <tr><td>1 PLC</td><td>±.01</td></tr> <tr><td>2 PLC</td><td>±.01</td></tr> <tr><td>3 PLC</td><td>±.005</td></tr> <tr><td>4 PLC</td><td>±.0020</td></tr> <tr><td>ANGLES</td><td>±.2°</td></tr> </table>		0 PLC	±	1 PLC	±.01	2 PLC	±.01	3 PLC	±.005	4 PLC	±.0020	ANGLES	±.2°	PRODUCT SPEC: 108-2292	SIZE: A1
0 PLC	±														
1 PLC	±.01														
2 PLC	±.01														
3 PLC	±.005														
4 PLC	±.0020														
ANGLES	±.2°														
MATERIAL: -		APPLICATION SPEC: 114-13251	CAGE CODE: -												
FINISH: -		WEIGHT: -	DRAWING NO: 6450842												
CUSTOMER DRAWING		SCALE: 4:1	SHEET 3 OF 6												

LOC		DIST		REVISIONS			
ES	00	P	LTN	DESCRIPTION	DATE	OWN	APVD
		-		SEE SHEET 1			

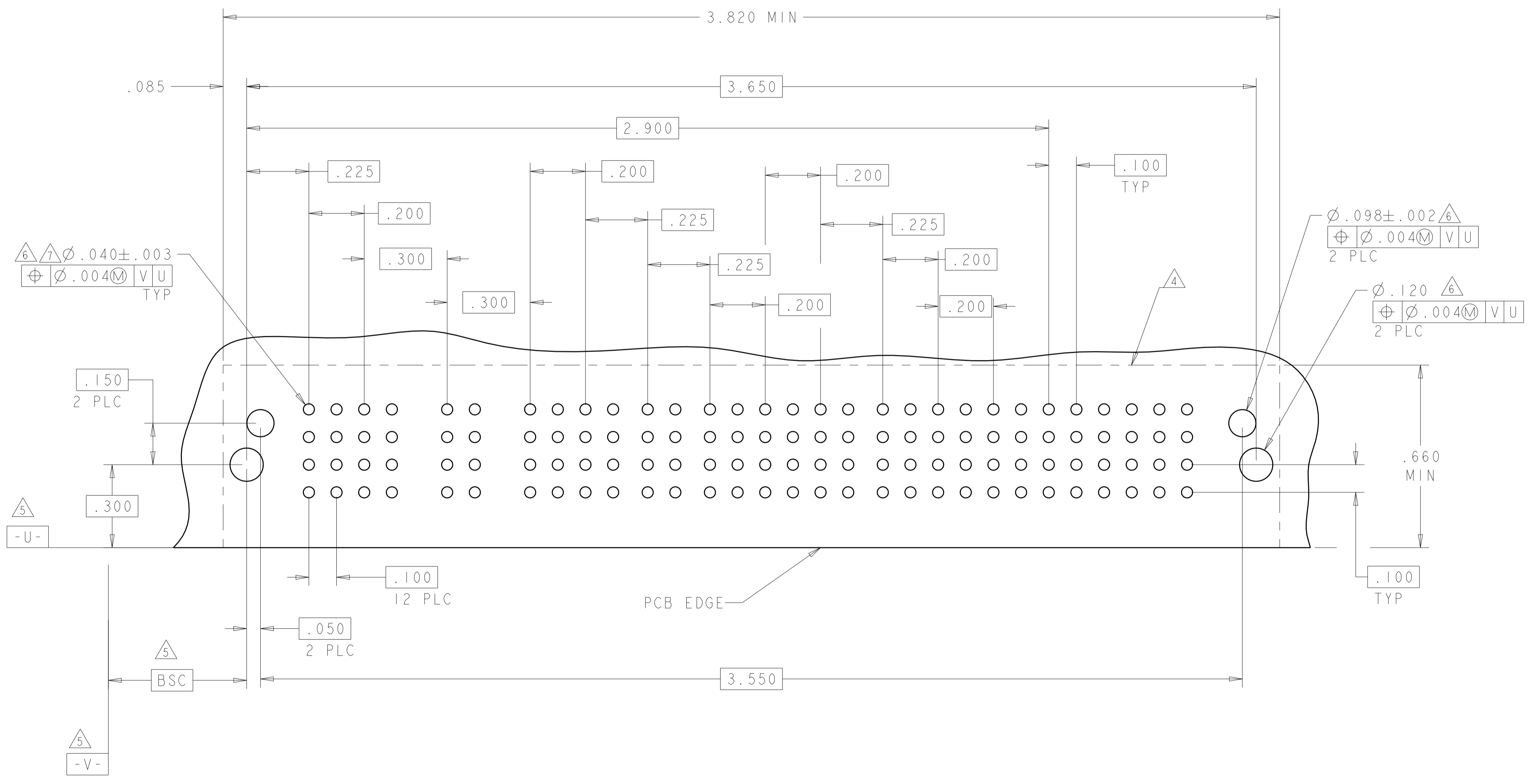
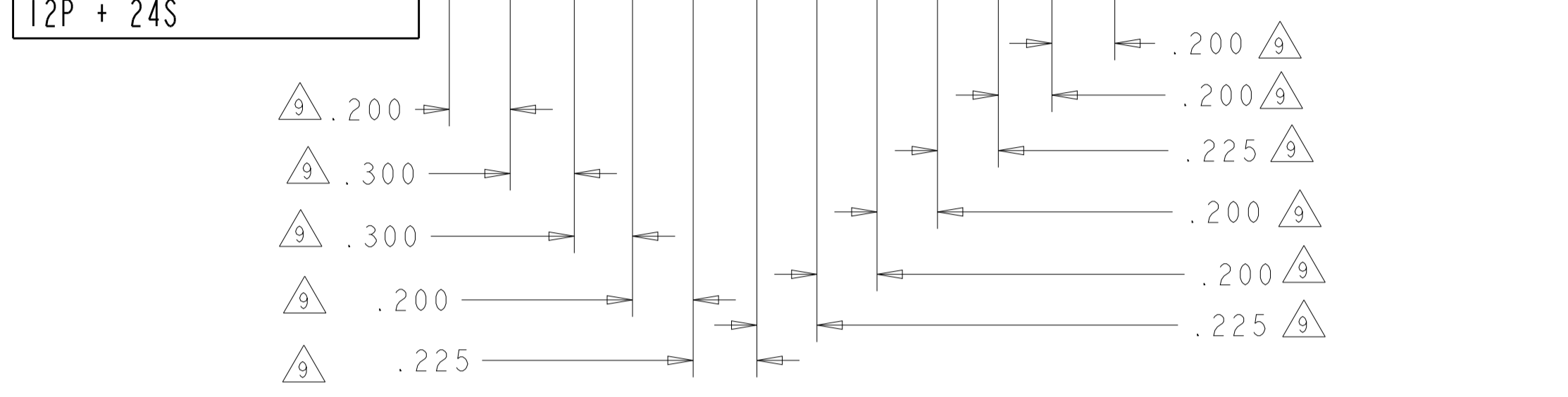
PART NUMBER	ROWS	POWER													SIGNAL					
		P1	P2	P3	P4	P5	P6	P7	P8	P9	P10	P11	P12	P13	1	2	3	4	5	6
6450842-4	D C B A	TT	TT	TT	TT	TT	TT	TT	TT	TT	TT	TT	TT	TT	Z1	Z1	Z5	Z5	Z1	Z1
		TT	TT	TT	TT	TT	TT	TT	TT	TT	TT	TT	TT	TT	Y5	Y1	Y5	Y5	Y5	Y5
		TT	TT	TT	TT	TT	TT	TT	TT	TT	TT	TT	TT	TT	R5	R1	R5	R1	R1	R1
		TT	TT	TT	TT	TT	TT	TT	TT	TT	TT	TT	TT	TT	O5	O5	O5	O5	O5	O5



THIS DRAWING IS A CONTROLLED DOCUMENT.		OWN: HESPER L11 09JUL2008	TE Connectivity
DIMENSIONS: INCHES		CHK: S. ZHAO 09JUL2008	
DIMENSIONS: INCHES 0 PLC ±. 1 PLC ±.01 2 PLC ±.01 3 PLC ±.005 4 PLC ±.0020 ANGLES ±.2°		APVD: S. ZHAO PRODUCT SPEC: 108-2292 APPLICATION SPEC: 114-13251 WEIGHT: -	NAME: RIGHT ANGLE HEADER W/ LP CONTACT AND SHORT END MODULES MULTI-BEAM XLE SIZE: A1 CAGE CODE: 100779 DRAWING NO: C=6450842
MATERIAL: -		FINISH: -	RESTRICTED TO: -
CUSTOMER DRAWING		SCALE: 4:1	SHEET 4 OF 6 REV B

LOC	DIST	REVISIONS			
ES	00	REV	DATE	BY	APPV
		-	SEE SHEET 1	-	-

PART NUMBER	ROWS	POWER												SIGNAL					
		P1	P2	P3	P4	P5	P6	P7	P8	P9	P10	P11	P12	1	2	3	4	5	6
6450842-7	D C B A	TT	TT	TT	TT	TT	TT	TT	TT	TT	TT	TT	TT	Z5	Z5	Z5	Z5	Z5	Z5
		Y5	Y5	Y5	Y5	Y5	Y5	Y5	Y5	Y5	Y5	Y5	Y5	R5	R5	R5	R5	R5	R5
		R5	R5	R5	R5	R5	R5	R5	R5	R5	R5	R5	R5	O5	O5	O5	O5	O5	O5



THIS DRAWING IS A CONTROLLED DOCUMENT. DWN: HESPER LIU 09JUL2008
 CHK: S. ZHAO 09JUL2008

DIMENSIONS: INCHES. TOLERANCES UNLESS OTHERWISE SPECIFIED:
 0 PLC ±.010
 1 PLC ±.010
 2 PLC ±.010
 3 PLC ±.005
 4 PLC ±.0020
 ANGLES ±.020

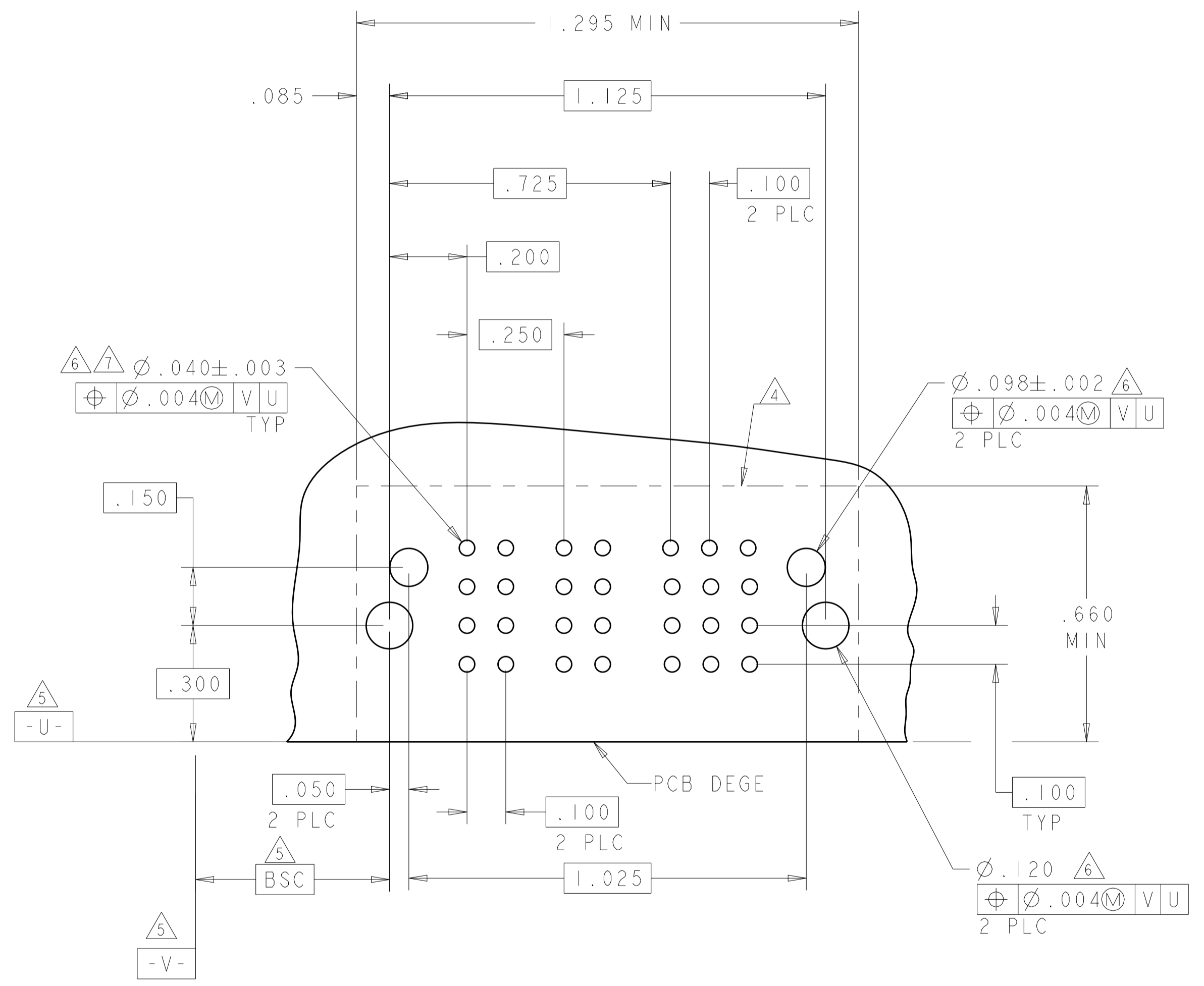
MATERIAL: . FINISH: .

STE TE Connectivity
 NAME: RIGHT ANGLE HEADER W/ LP CONTACT AND SHORT END MODULES MULTI-BEAM XLE
 PRODUCT SPEC: 108-2292
 APPLICATION SPEC: 114-13251
 WEIGHT: .

SIZE: A100779 C=6450842
 CUSTOMER DRAWING SCALE: 4:1 SHEET 5 OF 6 REV B

LOC	DIST	REVISIONS					
		P	LTN	DESCRIPTION	DATE	DMN	APVD
ES	00	-	-	SEE SHEET 1	-	-	-

PART NUMBER	ROWS	POWER		SIGNAL		
		P1	P2	1	2	3
1-6450842-0	D	TT	TT	Z5	Z5	Z5
	C			Y5	Y5	Y5
	B			R5	R5	R1
	A			05	05	01
2P + 12S						



THIS DRAWING IS A CONTROLLED DOCUMENT.		OWN: HESPER LLC 09JUL2008	TE Connectivity
DIMENSIONS: INCHES		CHK: S. ZHAO 09JUL2008	
		TOLERANCES UNLESS OTHERWISE SPECIFIED:	NAME: RIGHT ANGLE HEADER W/ LP CONTACT AND SHORT END MODULES MULTI-BEAM XLE
0 PLC ±. 1 PLC ±. 2 PLC ±.01 3 PLC ±.05 4 PLC ±.0020 ANGLES ±.2°		APVD: S. ZHAO	PRODUCT SPEC: 108-2292
MATERIAL: -		FINISH: -	APPLICATION SPEC: 114-13251
CUSTOMER DRAWING		SCALE: 4:1	RESTRICTED TO: A100779C=6450842
		SHEET: 6 OF 6	REV: B