



Chipsmall Limited consists of a professional team with an average of over 10 year of expertise in the distribution of electronic components. Based in Hongkong, we have already established firm and mutual-benefit business relationships with customers from,Europe,America and south Asia,supplying obsolete and hard-to-find components to meet their specific needs.

With the principle of "Quality Parts,Customers Priority,Honest Operation,and Considerate Service",our business mainly focus on the distribution of electronic components. Line cards we deal with include Microchip,ALPS,ROHM,Xilinx,Pulse,ON,Everlight and Freescale. Main products comprise IC,Modules,Potentiometer,IC Socket,Relay,Connector.Our parts cover such applications as commercial,industrial, and automotives areas.

We are looking forward to setting up business relationship with you and hope to provide you with the best service and solution. Let us make a better world for our industry!



Contact us

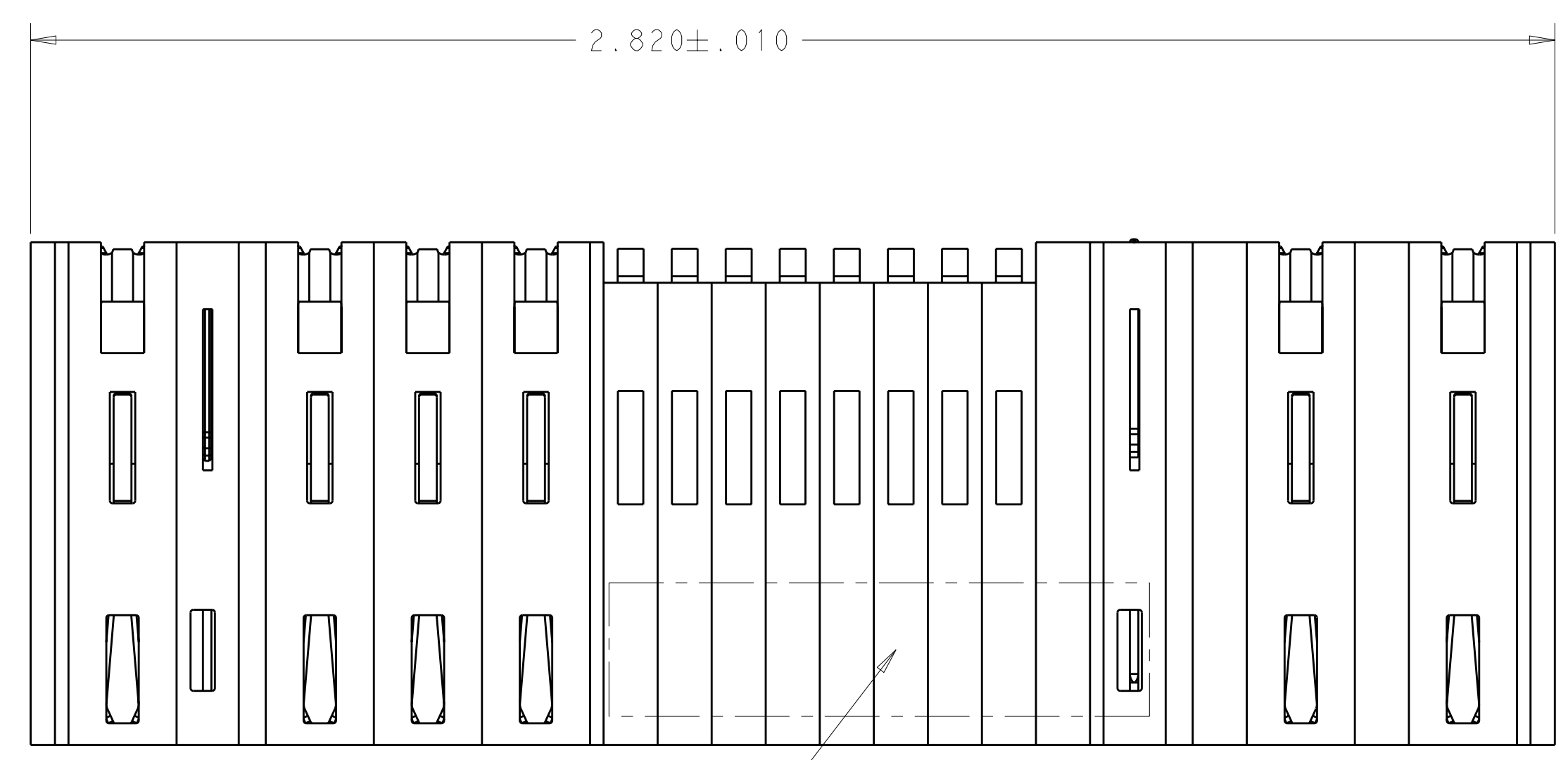
Tel: +86-755-8981 8866 Fax: +86-755-8427 6832

Email & Skype: info@chipsmall.com Web: www.chipsmall.com

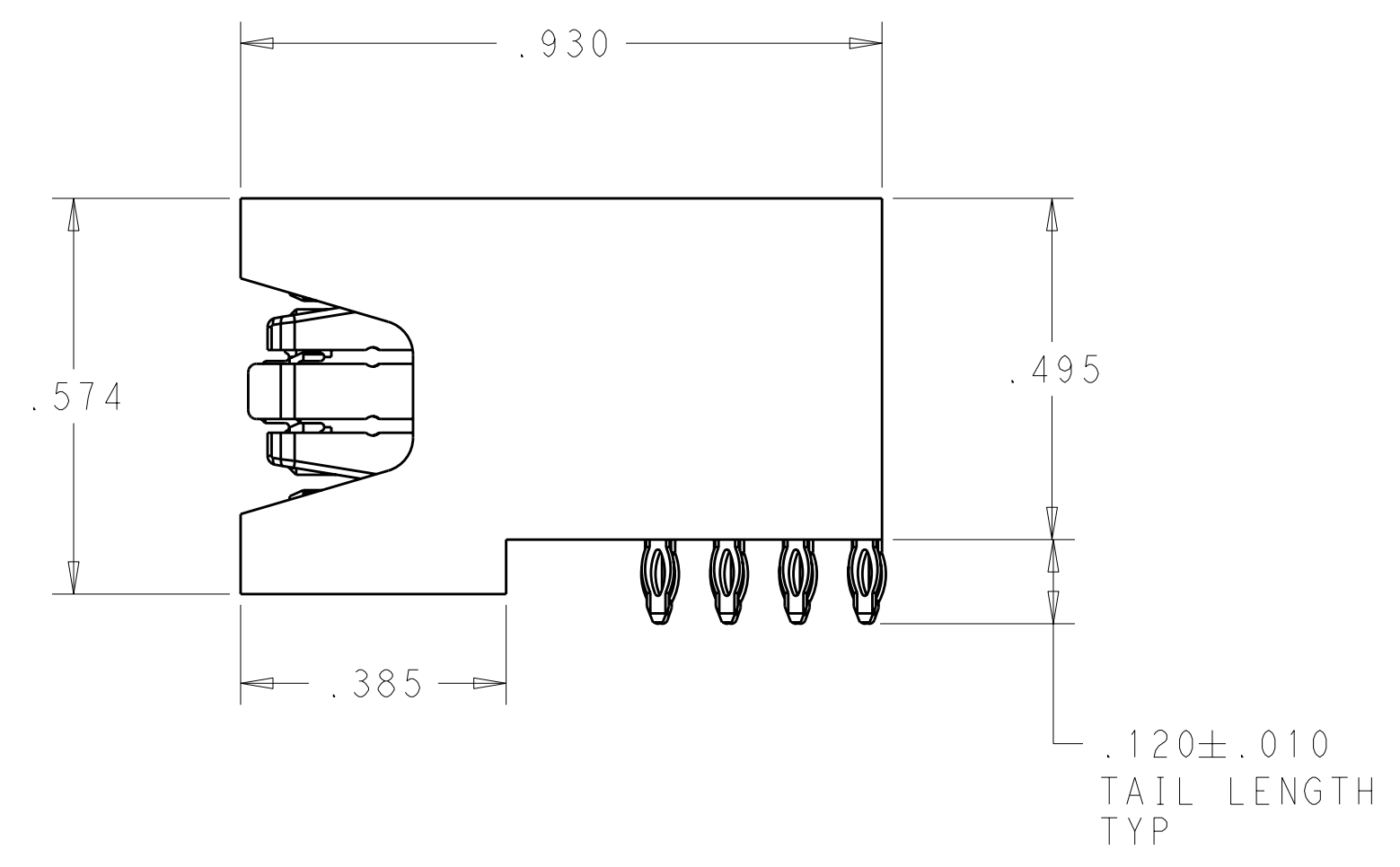
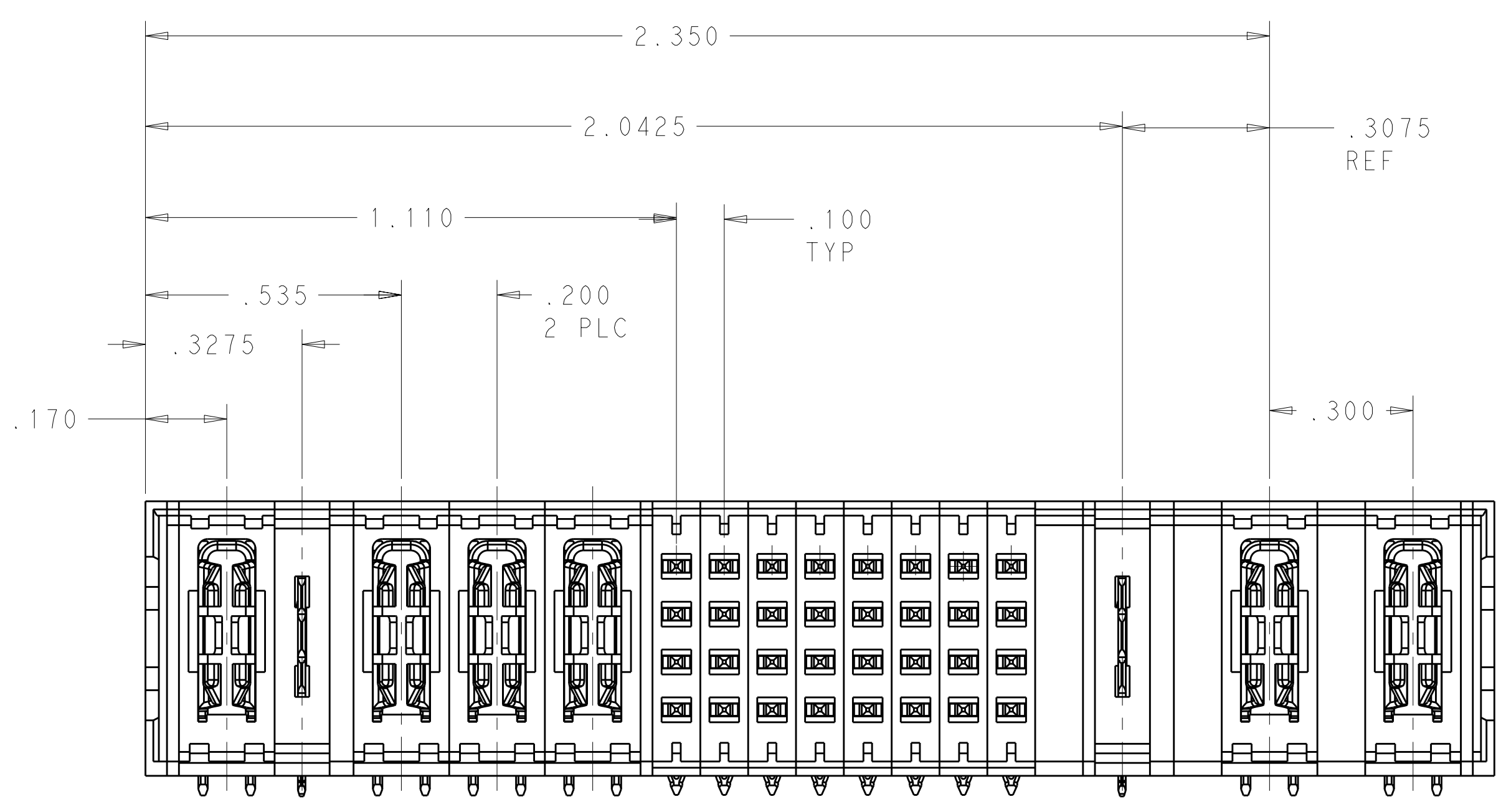
Address: A1208, Overseas Decoration Building, #122 Zhenhua RD., Futian, Shenzhen, China



LOC	DIST	REVISIONS				
ES	00	REV	DESCRIPTION	DATE	DWN	APVD
		A	REV PER ECR-10-003012	20FEB2010	CZ	SY



- △ 1 "AMP", PART NUMBER, AND DATECODE TO BE MARKED IN AREA SHOWN. PARTS UNDER 2.00" LONG MAY BE MARKED ON BOTH SIDES.
- △ 2 MATERIAL: HOUSING - GLASS FILLED HIGH TEMP THERMO PLASTIC, BLACK, UL94 V-0
 SIGNAL CONTACT - COPPER ALLOY
 POWER CONTACT - HIGH CONDUCTIVITY COPPER ALLOY
- △ 3 CONTACT PLATING: SIGNAL CONTACTS - .000050 MIN Ni UNDER ALL.
 .000030 MIN Au ON CONTACT AREA.
 .000100 MIN Sn AT PCB INTERFACE.)
 POWER CONTACTS - .000050 MIN Ni UNDER ALL.
 .000030 MIN Au AT CONTACT AREA.
 .000100 MIN Sn AT PCB INTERFACE.
- △ 4 MECHANICAL CONNECTOR KEEP OUT ZONE.
- △ 5 DATUM AND BASIC DIMENSIONS ESTABLISHED BY CUSTOMER.
- △ 6 PCB - HOLE DIAMETERS ARE FINISHED HOLE SIZE.
- △ 7 PCB - .0453 ± .0010 DRILLED HOLES PLATED WITH .0003 MIN Sn OVER .001 TO .003 Cu PLATING TO ACHIEVE A .040 DIA HOLE.

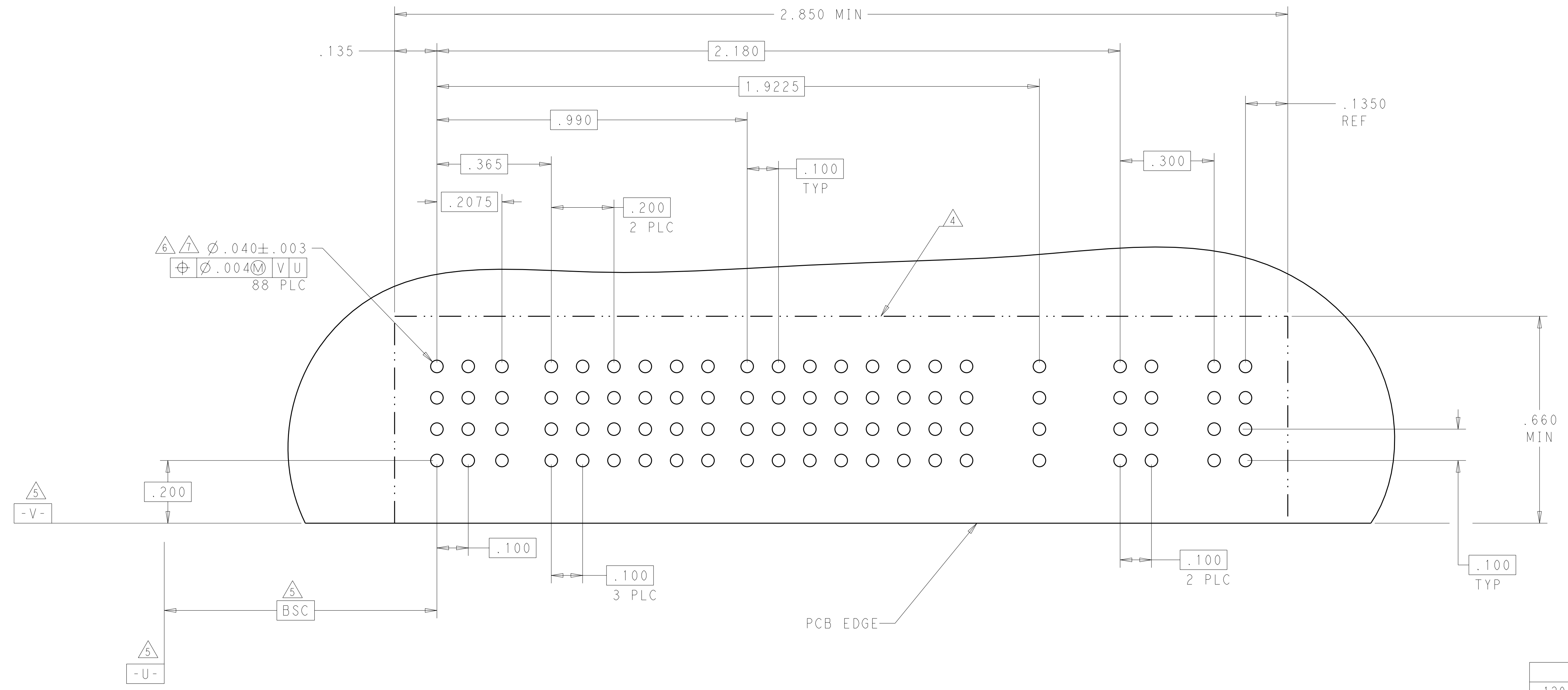


1HDP + 1LP + 3HDP + 32S + 1LP + 2ACP	6450849-5
DESCRIPTION	PART NUMBER

<small>THIS DRAWING IS UNPUBLISHED. RELEASED FOR PUBLICATION 20 BY TYCO ELECTRONICS CORPORATION, ALL INTERNATIONAL RIGHTS RESERVED.</small>		DWN	18NOV2009	Tyco Electronics Corporation Shanghai, P.R.China, 200233
DIMENSIONS: INCHES TOLERANCES UNLESS OTHERWISE SPECIFIED: 9 PLC ±. 3 PLC ±. 5 PLC ±.005 4 PLC ±.0020 ANGLES #2 FINISH		CHK	S. ZHAO	
MATERIAL: - FINISH: -		APVD	-	NAME
PRODUCT SPEC: 108-2292 APPLICATION SPEC: 114-13251		SIZE: CAGE CODE: DRAWING NO: A100779C=6450849-5 WEIGHT: - CUSTOMER DRAWING		RESTRICTED TO
SCALE: 1:1 SHEET: 1 OF 2 REV: A				

LOC	DIST	REVISIONS			
ES	00	REV	DATE	BY	APPD
		1			
		2			

PART NUMBER	ROWS	POWER		POWER			SIGNAL								LP	POWER	
		P1	LPI	P2	P3	P4	1	2	3	4	5	6	7	8	LP2	P5	P6
6450849-5	D C B A	TT	LT	TT	TT	TT	Z5	Z5	Z5	Z5	Z5	Z5	Z5	Z5	LT	TT	TT
							Y5	Y5	Y5	Y5	Y5	Y5	Y5	Y5			
							R5	R5	R5	R5	R5	R5	R5	R5			
							O1	O5	O5	O5	O5	O5	O5	O5			
1HDP + 1LP + 3HDP + 32S + 1LP + 2ACP																	



DESCRIPTION	IDENTIFIER
HOLD DOWN	HD
.120 SIGNAL PRESS FIT CON, ROW A,MLBF	O1
.120 SIGNAL PRESS FIT CON, ROW A,STD	O5
.120 SIGNAL PRESS FIT CON, ROW B,STD	R5
.120 SIGNAL PRESS FIT CON, ROW C,STD	Y5
.120 SIGNAL PRESS FIT CON, ROW D,STD	Z5
.120 PRESS FIT LOWER POWER CON,STD	LT
.120 PRESS FIT POWER CON	TT

DIMENSIONS: INCHES 		TOLERANCES UNLESS OTHERWISE SPECIFIED: 9 PLC ± 1 PLC ± 2 PLC ± 3 PLC ±.005 4 PLC ±.0020 FINISH #2		DWN C. ZHOU 18NOV2009 CHK S. ZHAO APVD NAME PRODUCT SPEC 108-2292 APPLICATION SPEC 114-13251 WEIGHT CUSTOMER DRAWING		Tyco Electronics Corporation Shanghai, P.R.China. 200233 SIZE CAGE CODE DRAWING NO RESTRICTED TO A100779C-6450849-5 SCALE 1:1 SHEET 2 OF 2 REV A	
---------------------------	--	---	--	--	--	--	--