



Chipsmall Limited consists of a professional team with an average of over 10 year of expertise in the distribution of electronic components. Based in Hongkong, we have already established firm and mutual-benefit business relationships with customers from,Europe,America and south Asia,supplying obsolete and hard-to-find components to meet their specific needs.

With the principle of "Quality Parts,Customers Priority,Honest Operation,and Considerate Service",our business mainly focus on the distribution of electronic components. Line cards we deal with include Microchip,ALPS,ROHM,Xilinx,Pulse,ON,Everlight and Freescale. Main products comprise IC,Modules,Potentiometer,IC Socket,Relay,Connector.Our parts cover such applications as commercial,industrial, and automotives areas.

We are looking forward to setting up business relationship with you and hope to provide you with the best service and solution. Let us make a better world for our industry!



Contact us

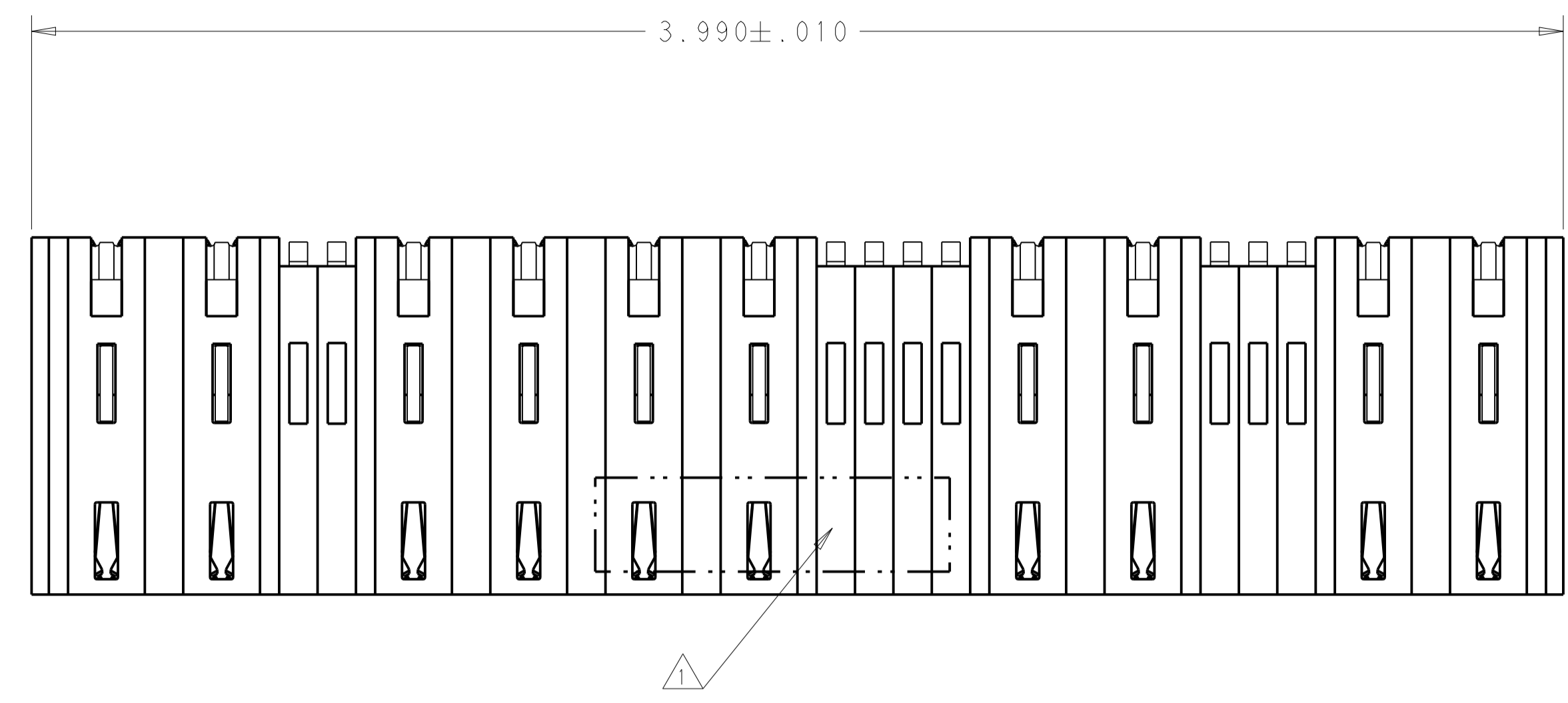
Tel: +86-755-8981 8866 Fax: +86-755-8427 6832

Email & Skype: info@chipsmall.com Web: www.chipsmall.com

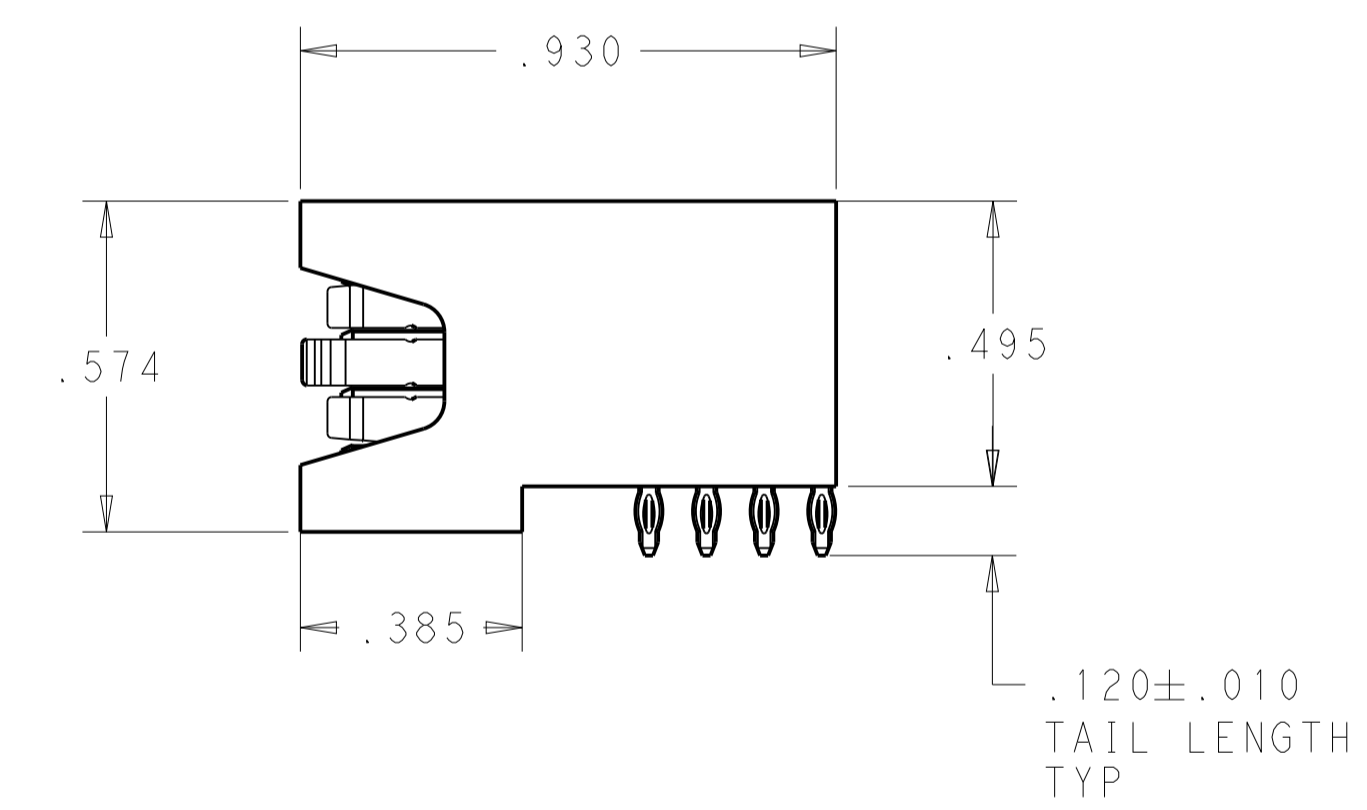
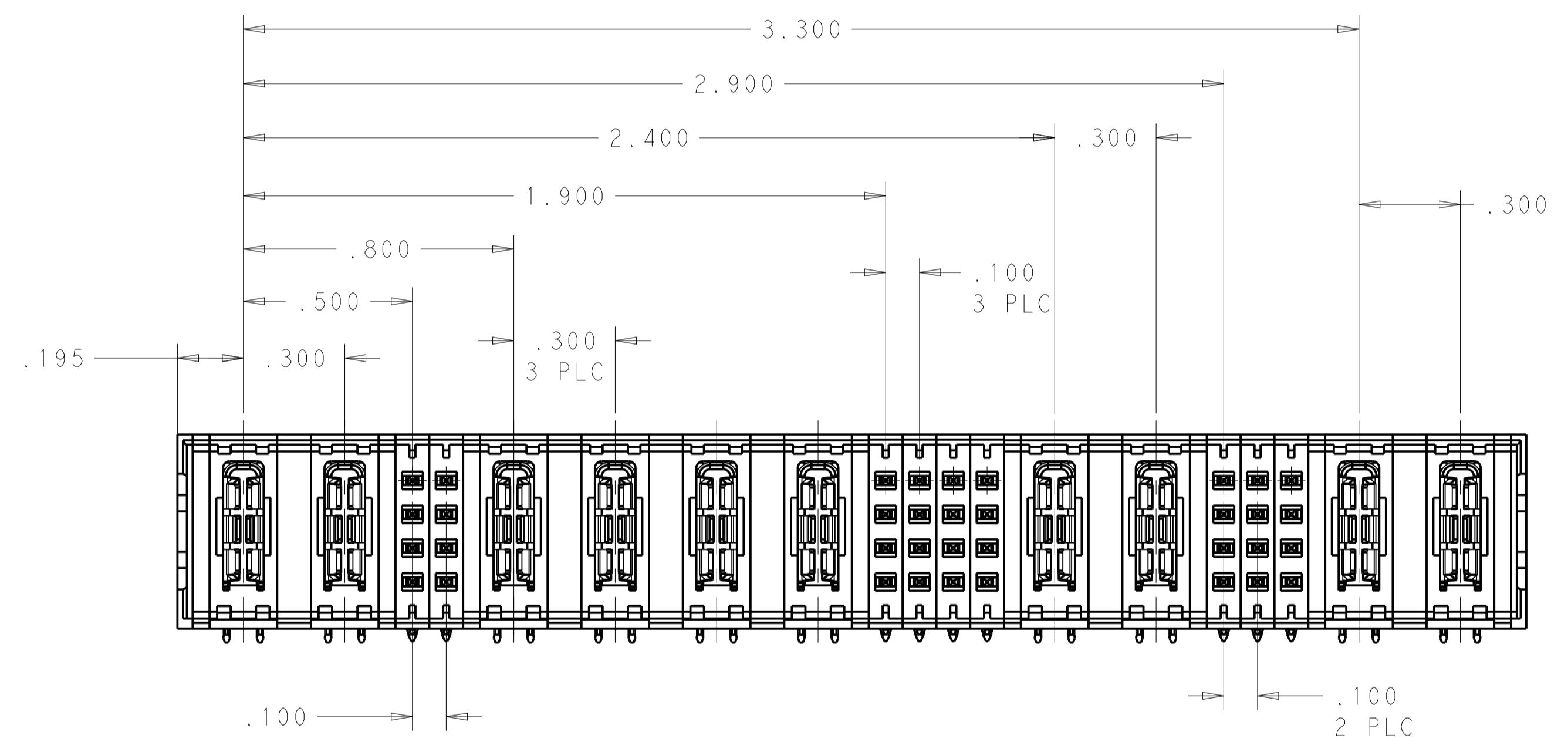
Address: A1208, Overseas Decoration Building, #122 Zhenhua RD., Futian, Shenzhen, China



REVISIONS				
P.	LTN	DESCRIPTION	DATE	DWN APVD
A1		REVISED	28SEP2014	CZ SZ



- ① "AMP", PART NUMBER, AND DATECODE TO BE MARKED IN AREA SHOWN. PARTS UNDER 2.00 LONG MAY BE MARKED ON BOTH SIDES.
- ② MATERIAL: HOUSING - GLASS FILLED HIGH TEMP THERMO PLASTIC, BLACK, UL94 V-0
 SIGNAL CONTACT - COPPER ALLOY
 POWER CONTACT - HIGH CONDUCTIVITY COPPER ALLOY)
- ③ CONTACT PLATING: SIGNAL CONTACTS - .000050 MIN Ni UNDER ALL.
 .000030 MIN Au ON CONTACT AREA.
 .000100 MIN Sn AT PCB INTERFACE.)
 POWER CONTACTS - .000050 MIN Ni UNDER ALL.
 .000030 MIN Au AT CONTACT AREA.
 .000100 MIN Sn AT PCB INTERFACE.
- ④ MECHANICAL CONNECTOR KEEP OUT ZONE.
- ⑤ DATUM AND BASIC DIMENSIONS ESTABLISHED BY CUSTOMER.
- ⑥ PCB - HOLE DIAMETERS ARE FINISHED HOLE SIZE.
- ⑦ PCB - .0453 ± .0010 DRILLED HOLES PLATED WITH .0003 MIN Sn OVER .001 TO .003 Cu PLATING TO ACHIEVE A .040 DIA HOLE.

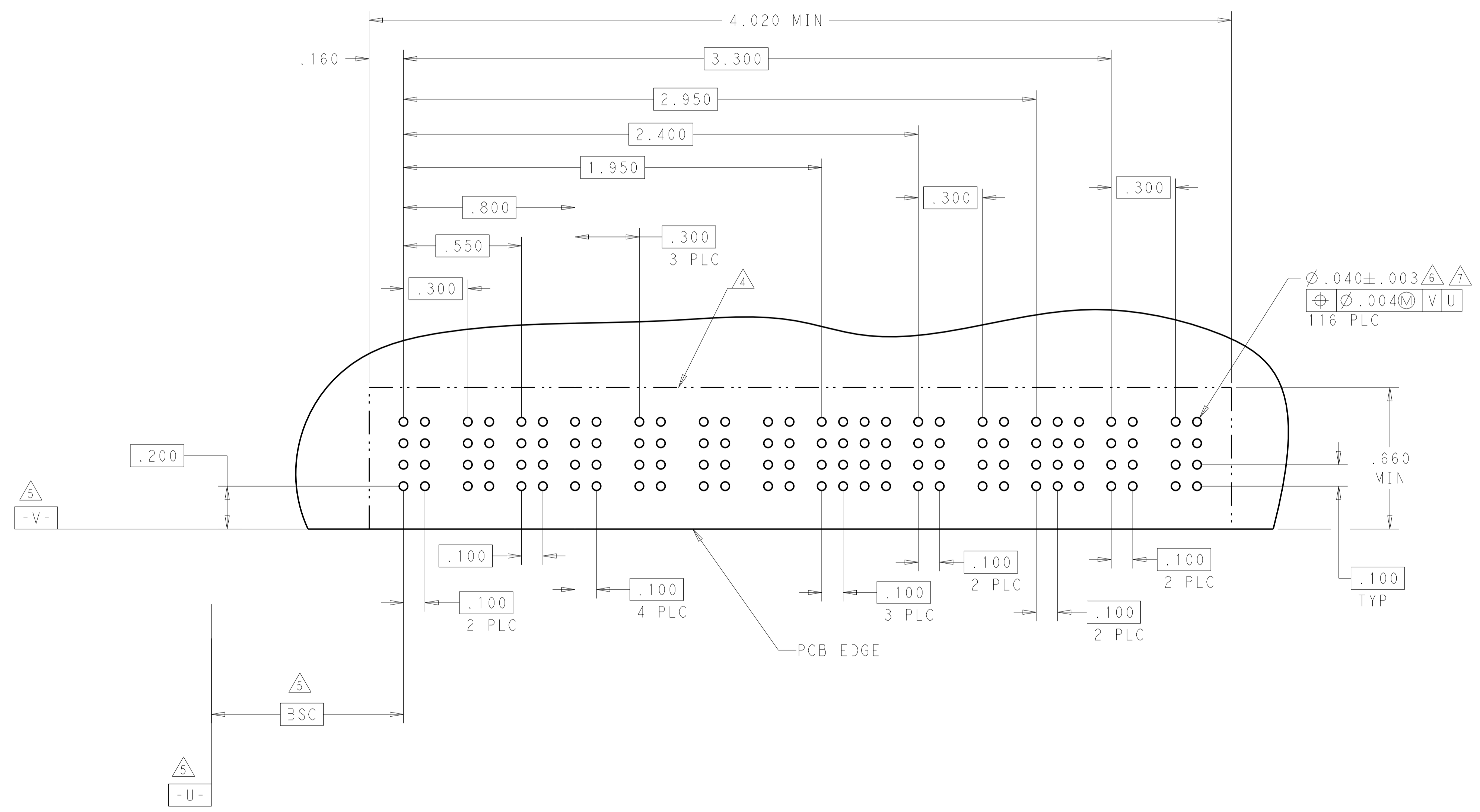


2ACP+8S+4ACP+16S+2ACP+12S+2ACP	6450849-6
DESCRIPTION	PART NUMBER

THIS DRAWING IS A CONTROLLED DOCUMENT.		DWN C. ZHOU 28DEC2009	TE Connectivity	
DIMENSIONS: INCHES		CHK S. ZHAO 28DEC2009	NAME RIGHT ANGLE HEADER ASSEMBLY WITH GUIDELESS MULTI-BEAM XLE	
TOLERANCES UNLESS OTHERWISE SPECIFIED:		APVD	PRODUCT SPEC 108-2292	
0 PLC ±		APPLICATION SPEC 114-13251		
1 PLC ±		SIZE A1		
2 PLC ±		CAGE CODE DRAWING NO 00779		
3 PLC ±		DRAWING NO 6450849-6		
4 PLC ±		RESTRICTED TO		
ANGLES ±		WEIGHT		
FINISH		CUSTOMER DRAWING		
		SCALE 1:4 SHEET 1 OF 2 REV A1		

REVISIONS				
REV	DATE	DESCRIPTION	BY	APPD
-	-	SEE SHEET 1	-	-

PART NUMBER	ROWS	POWER		SIGNAL		POWER		SIGNAL		POWER		SIGNAL		POWER						
		P1	P2	1	2	P3	P4	P5	P6	3	4	5	6	P7	P8	7	8	9	P9	P10
6450849-6	D C B A	TT	TT	Z5	Z5	TT	TT	TT	TT	Z5	Z5	Z5	Z5	TT	TT	Z5	Z5	Z5	TT	TT
				Y5	Y5					Y5	Y5	Y5	Y5			Y5	Y5	Y5		
				R5	R5					R5	R5	R5	R5			R5	R5	R5		
				O5	O5					O5	O5	O5	O5			O5	O5	O5		
2ACP+8S+4ACP+16S+2ACP+12S+2ACP																				



THIS DRAWING IS A CONTROLLED DOCUMENT.		DWN C. ZHOU CHK S. ZHAO	28DEC2009 28DEC2009	STE TE Connectivity
DIMENSIONS: INCHES	TOLERANCES UNLESS OTHERWISE SPECIFIED: 0 PLC ± 1 PLC ± 2 PLC ± 3 PLC ±.005 4 PLC ±.0020 ANGLES ±.2	APVD -	NAME RIGHT ANGLE HEADER ASSEMBLY WITH SHORT END MODEL MULTI-BEAM XLE	
MATERIAL -	FINISH -	PRODUCT SPEC 108-2292	APPLICATION SPEC 114-13251	RESTRICTED TO -
CUSTOMER DRAWING		SIZE A1	CAGE CODE DRAWING NO 00779C=6450849-6	SCALE 1:4
		SHEET 2 OF 2		REV A1