



Chipsmall Limited consists of a professional team with an average of over 10 year of expertise in the distribution of electronic components. Based in Hongkong, we have already established firm and mutual-benefit business relationships with customers from,Europe,America and south Asia,supplying obsolete and hard-to-find components to meet their specific needs.

With the principle of “Quality Parts,Customers Priority,Honest Operation,and Considerate Service”,our business mainly focus on the distribution of electronic components. Line cards we deal with include Microchip,ALPS,ROHM,Xilinx,Pulse,ON,Everlight and Freescale. Main products comprise IC,Modules,Potentiometer,IC Socket,Relay,Connector.Our parts cover such applications as commercial,industrial, and automotives areas.

We are looking forward to setting up business relationship with you and hope to provide you with the best service and solution. Let us make a better world for our industry!



Contact us

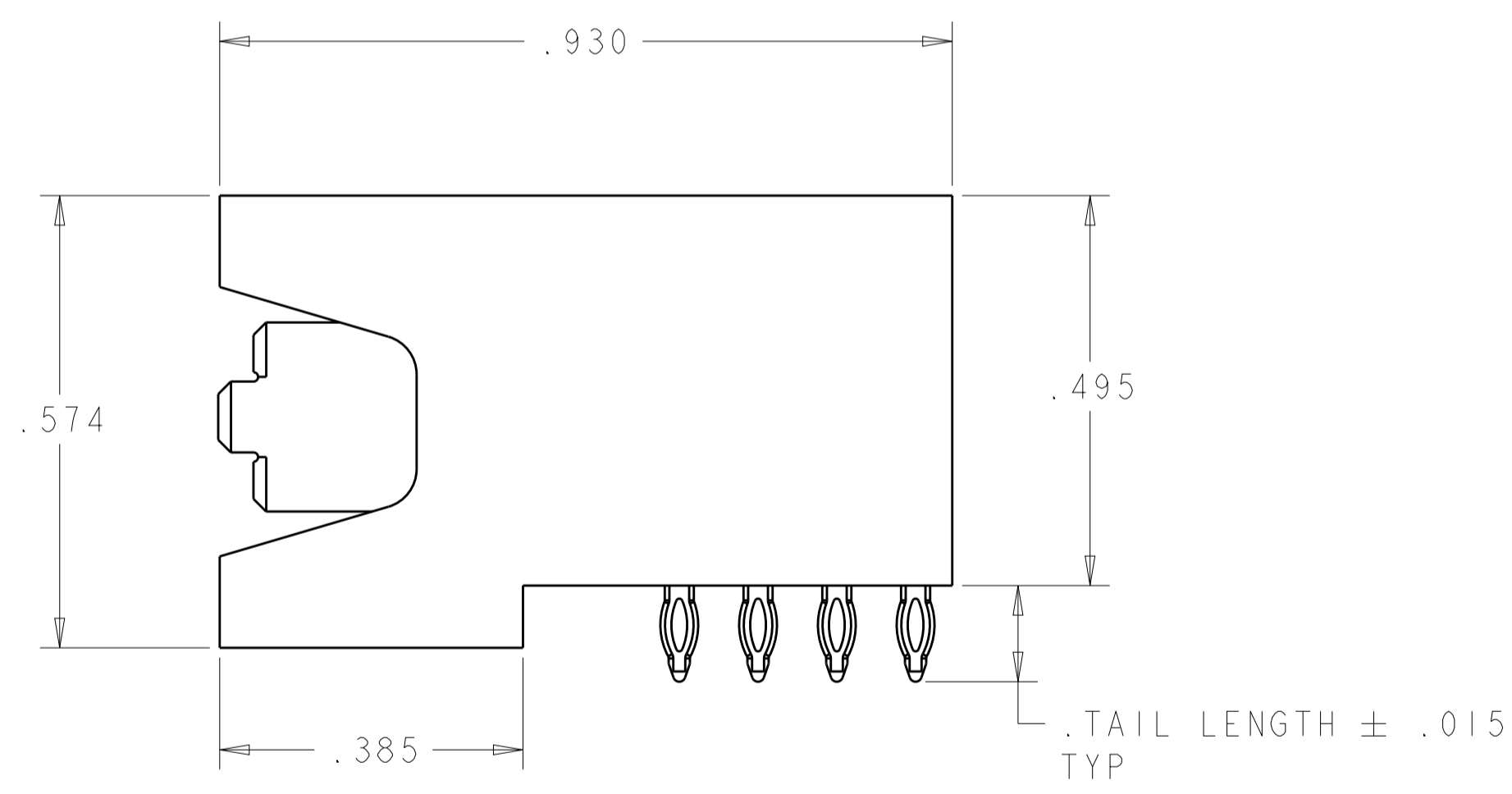
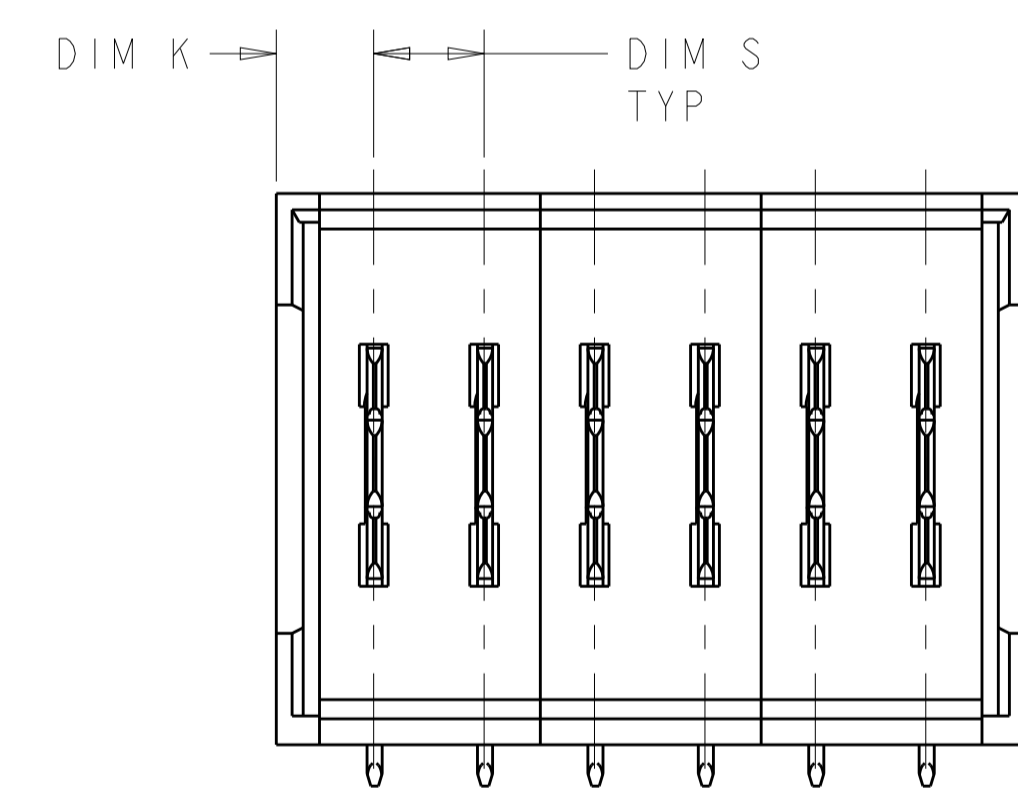
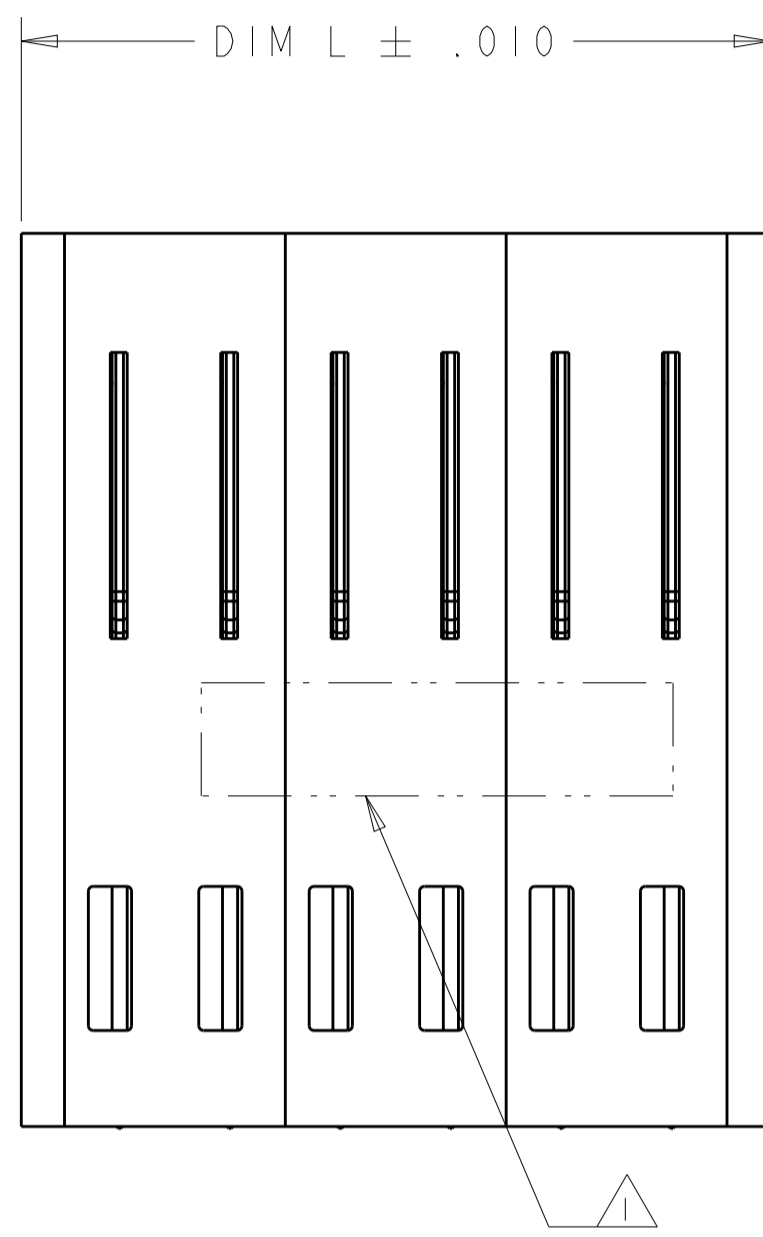
Tel: +86-755-8981 8866 Fax: +86-755-8427 6832

Email & Skype: info@chipsmall.com Web: www.chipsmall.com

Address: A1208, Overseas Decoration Building, #122 Zhenhua RD., Futian, Shenzhen, China



LOC	DIST	REVISIONS					
		P	LTN	DESCRIPTION	DATE	DMN	APVD
ES	00		D3	ADD NEW DASH NUMBER 1-5	20MAR2015	CZ	SZ




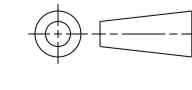
- △ "AMP" PART NUMBER AND DATE CODE TO BE MARKED IN AREA SHOWN. PARTS UNDER 2.00 LONG MAY BE MARKED ON BOTH SIDES.
- △ MATERIAL: HOUSING - GLASS FILLED HIGH TEMP THERMO PLASTIC, UL94 V-0
POWER CONTACT - HIGH CONDUCTIVITY COPPER ALLOY
- △ CONTACT PLATING: NOBLE METAL PLATING ON CONTACT FUNCTIONAL AREA OF POWER AND SIGNAL CONTACTS
- △ MECHANICAL CONNECTOR KEEP OUT ZONE
- △ DATUM AND BASIC DIMENSIONS ESTABLISHED BY CUSTOMER
- △ PCB - ALL HOLE DIAMETERS ARE FINISHED HOLE SIZES.
- △ PCB - .0453±.0010 DRILLED HOLES WITH .0003 WITH Sn OVER .001 TO .003 Cu PLATING TO ACHIEVE A .040±.003 DIA HOLE
- △ PLEASE REFER TO PART VIEW FOR DETAIL DIMENSIONS.

THIS DRAWING IS A CONTROLLED DOCUMENT.		DMN H. LIU 30APR2008	TE Connectivity
DIMENSIONS: INCHES		CHK S. ZHAO 30APR2008	
TOLERANCES UNLESS OTHERWISE SPECIFIED:		APVD S. YAO	NAME RIGHT ANGLE HEADER ASSEMBLY NO GUIDES MULTI-BEAM XLE
0 PLC ±	1 PLC ±.01	PRODUCT SPEC 108-2292	SIZE A100779
2 PLC ±.005	3 PLC ±.0020	APPLICATION SPEC 114-13038	CAGE CODE C=6450849
4 PLC ±.0020	ANGLES ±.2°	WEIGHT	RESTRICTED TO
MATERIAL △ 2	FINISH △ 3	CUSTOMER DRAWING	SCALE 4:1 SHEET 1 OF 8 REV D3

THIS DRAWING IS UNPUBLISHED. RELEASED FOR PUBLICATION 20
 © COPYRIGHT 20 BY - ALL RIGHTS RESERVED.

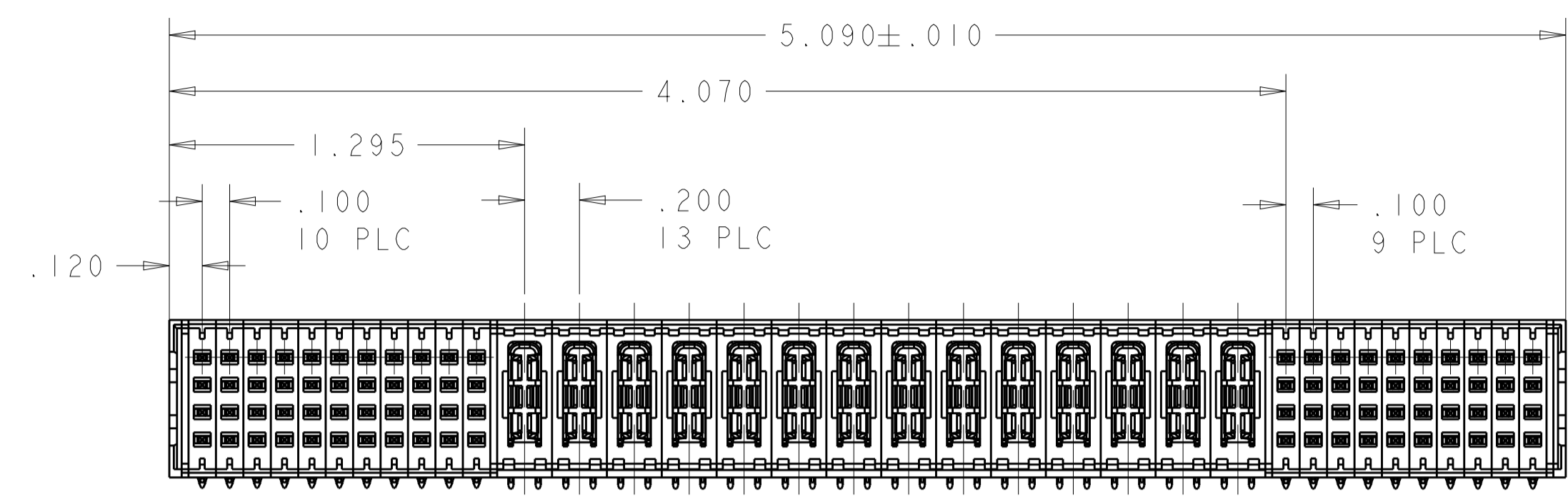
LOC	DIST	REVISIONS					
		P	LTN	DESCRIPTION	DATE	DWN	APVD
ES	00	-		SEE SHEET 1	-	-	-

.115	-	-	.1025	.435	3LP	1-6450849-5
.115	-	-	.1025	.320	2LP	1-6450849-4
-	1.2675	.260	.1025	1.370	1LP + 40S + 1LP	1-6450849-3 ⁸
-	-	-	-	.450	2P	1-6450849-2 ⁸
-	-	-	-	.540	2P	1-6450849-0 ⁸
-	-	-	-	-	2HDP + 3LP + 40S + 4LP + 2HDP	6450849-9 ⁸
-	.5175	.260	.1025	.630	1LP + 8S + 1LP	6450849-8 ⁸
-	-	-	-	-	2ACP+1LP+32S+3HDP+1LP+1HDP	6450849-7 ⁸
-	-	-	-	-	8P	6450849-4 ⁸
-	-	-	-	-	12P	6450849-3 ⁸
-	-	-	-	-	44S+14P+40S	6450849-2 ⁸
.115	-	-	.1025	.780	6LP	6450849-1
DIM S	DIM R	DIM W	DIM K	DIM L	DESCRIPTION	PART NUMBER

THIS DRAWING IS A CONTROLLED DOCUMENT.		DWN	30APR2008	 TE Connectivity
		CHK	30APR2008	
DIMENSIONS:		TOLERANCES UNLESS OTHERWISE SPECIFIED:		NAME RIGHT ANGLE HEADER ASSEMBLY NO GUIDES MULTI-BEAM XLE
INCHES		0 PLC ±. 1 PLC ±.01 2 PLC ±.01 3 PLC ±.005 4 PLC ±.0020 ANGLES ±.020		
		FINISH		
MATERIAL		FINISH		
		PRODUCT SPEC 108-2292 APPLICATION SPEC 114-13038		SIZE A1
		WEIGHT -		CAGE CODE DRAWING NO 100779 6450849
		CUSTOMER DRAWING		RESTRICTED TO -
		SCALE 4:1		SHEET 2 OF 8 REV D3

LOC	DIST	REVISIONS			
P	LTN	DESCRIPTION	DATE	OWN	APVD
-	-	SEE SHEET 1	-	-	-

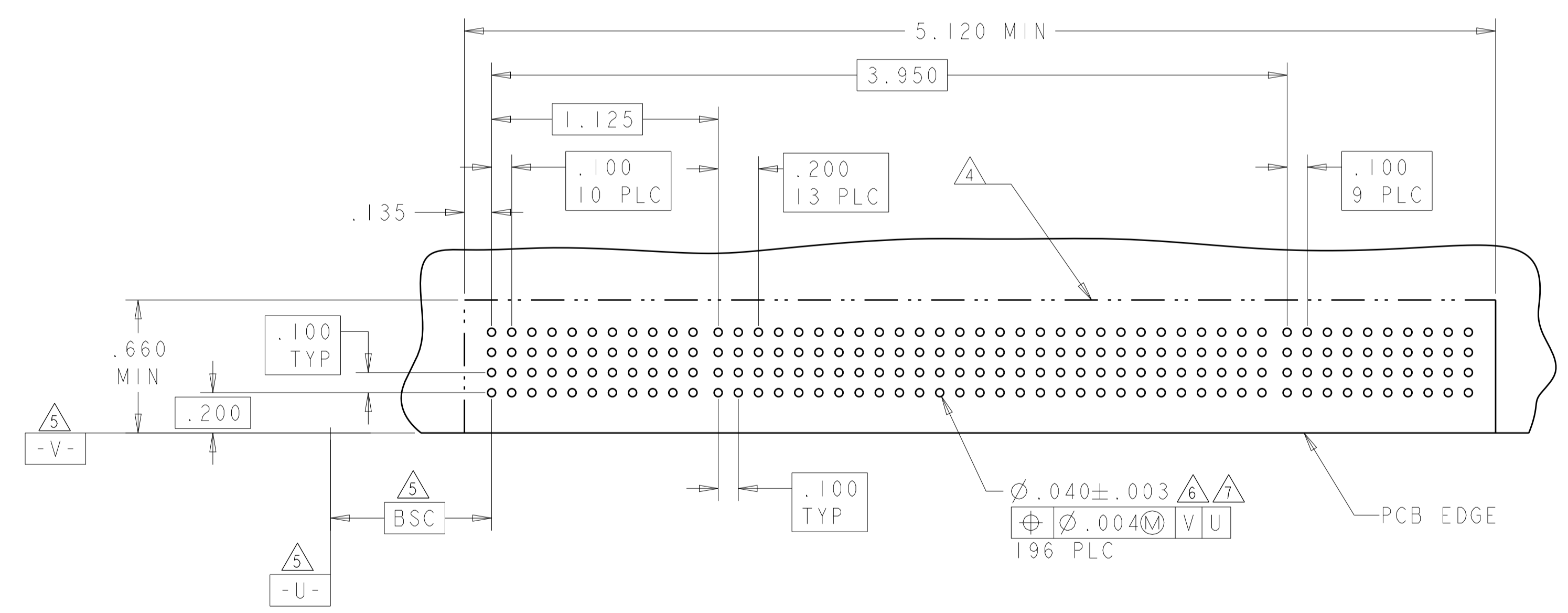
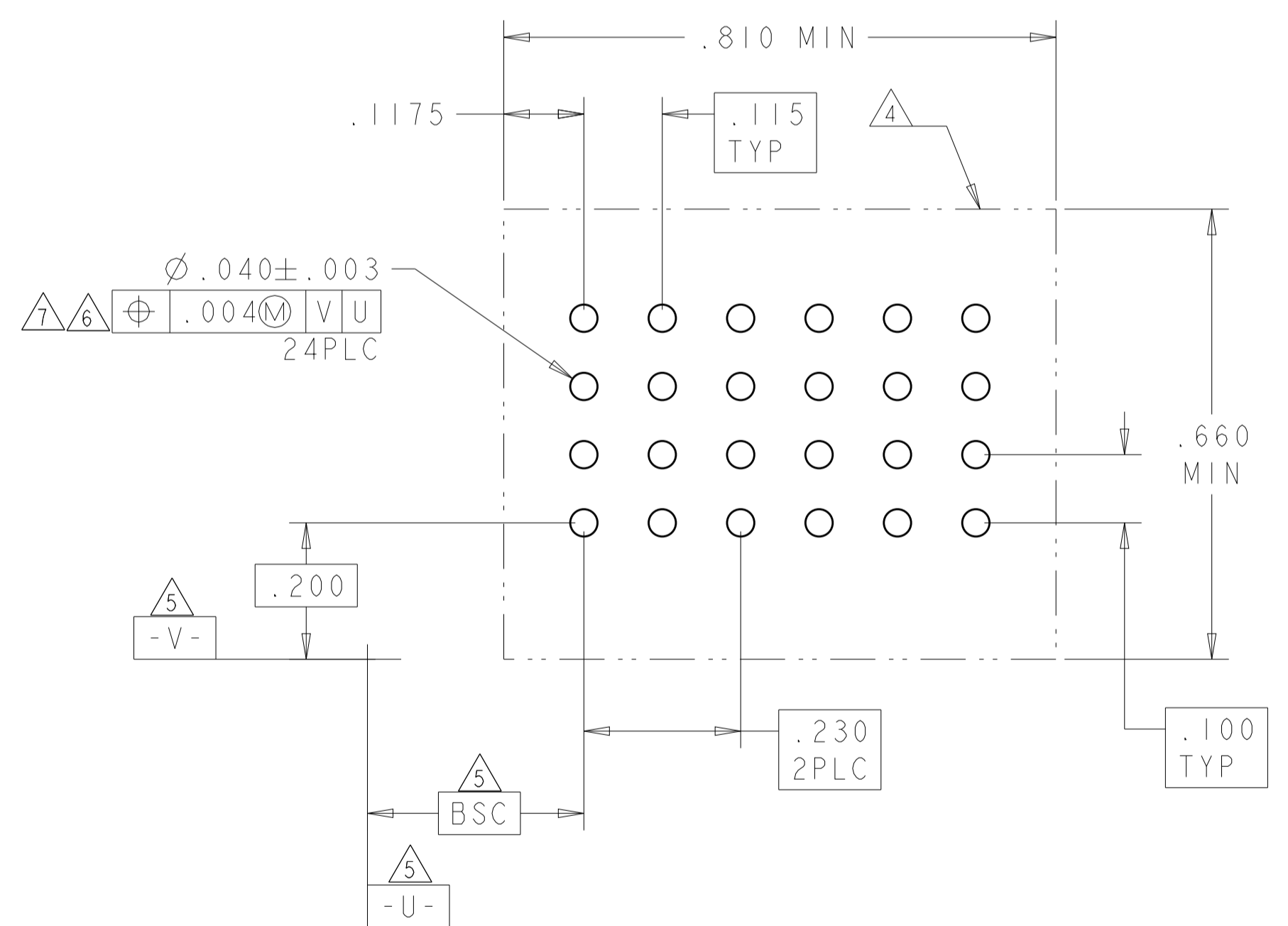
PART NUMBER	POWER					
	LP1	LP2	LP3	LP4	LP5	LP6
6450849-1	LT	LT	LT	LTF	LTF	LTF
6 LP						



PART NUMBER: 6450849-2

ASSY PART NUMBER	ROWS	SIGNAL										POWER										SIGNAL												
		1	2	3	4	5	6	7	8	9	10	P1	P2	P3	P4	P5	P6	P7	P8	P9	P10	P11	P12	P13	P14	1	2	3	4	5	6	7	8	9
6450849-2	D	Z5	Z5	Z5	Z5	Z5	Z5	Z5	Z5	Z5	TT	TT	TT	TT	TT	TT	TT	TT	TT	TT	TT	TT	TT	TT	Z5	Z5	Z5	Z5	Z5	Z5	Z5	Z5	Z5	Z5
	C	Y5	Y5	Y5	Y5	Y5	Y5	Y5	Y5	Y5	TT	TT	TT	TT	TT	TT	TT	TT	TT	TT	TT	TT	TT	TT	Y5	Y5	Y5	Y5	Y5	Y5	Y5	Y5	Y5	Y5
	B	R5	R5	R5	R5	R5	R5	R5	R5	R5	TT	TT	TT	TT	TT	TT	TT	TT	TT	TT	TT	TT	TT	TT	R5	R5	R5	R5	R5	R5	R5	R5	R5	R5
	A	O5	O5	O5	O5	O5	O5	O5	O5	O5	TT	TT	TT	TT	TT	TT	TT	TT	TT	TT	TT	TT	TT	TT	O5	O5	O5	O5	O5	O5	O5	O5	O5	O5

44S + 14P + 40S



O1	.120 SIGNAL PRESS FIT CON, ROW A,MLBF
Z5	.120 SIGNAL PRESS FIT CON, ROW D,STD
Y5	.120 SIGNAL PRESS FIT CON, ROW C,STD
R5	.120 SIGNAL PRESS FIT CON, ROW B,STD
O5	.120 SIGNAL PRESS FIT CON, ROW A,STD
TT	.120 PRESS FIT POWER CON
LTF	MFBL, .120 TAIL LENGTH, PRESS FIT.
LT	STD, .120 TAIL LENGTH, PRESS FIT.
CODE	DESCRIPTION
	POWER CONTACT

THIS DRAWING IS A CONTROLLED DOCUMENT.

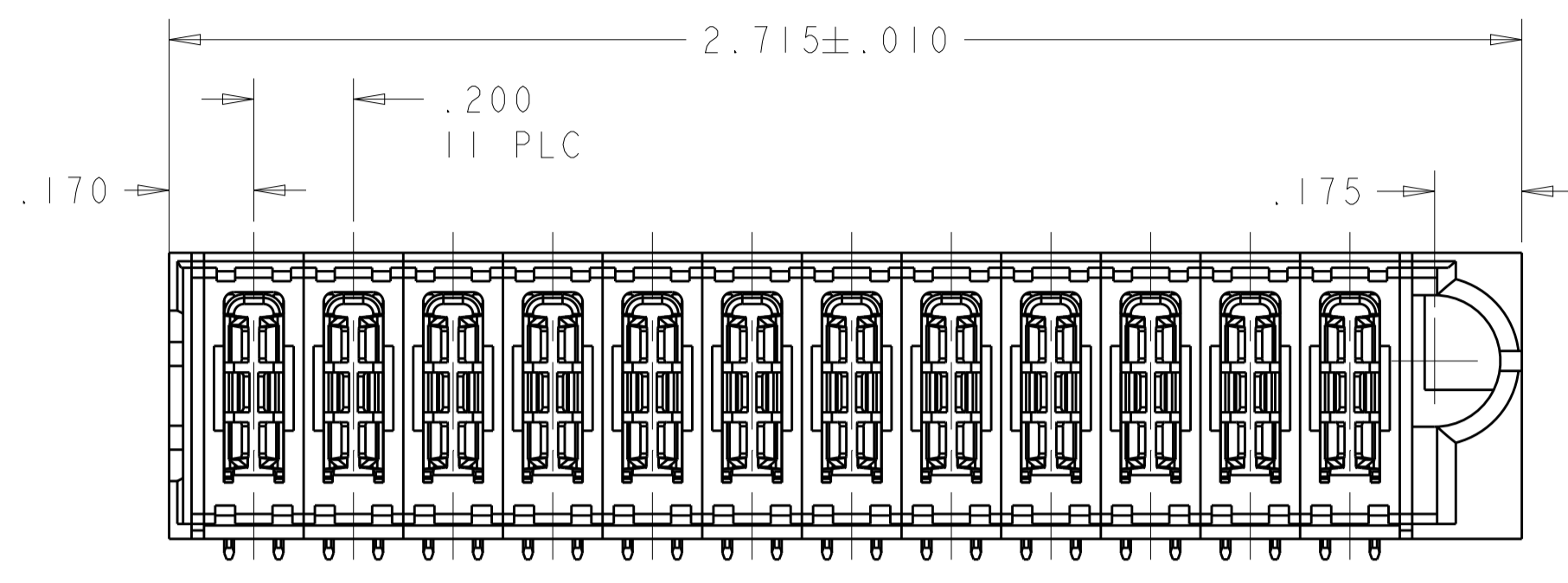
DIMENSIONS: INCHES
 TOLERANCES UNLESS OTHERWISE SPECIFIED:
 0 PLC ±.
 2 PLC ±.01
 3 PLC ±.01
 4 PLC ±.005
 5 PLC ±.0020
 ANGLES ±.020
 FINISH:

DWG: H.LIU 30APR2008
 CHK: S.ZHAO 30APR2008
 APVD: S.YAO
 PRODUCT SPEC: 108-2292
 APPLICATION SPEC: 114-13038
 WEIGHT: -
 CUSTOMER DRAWING

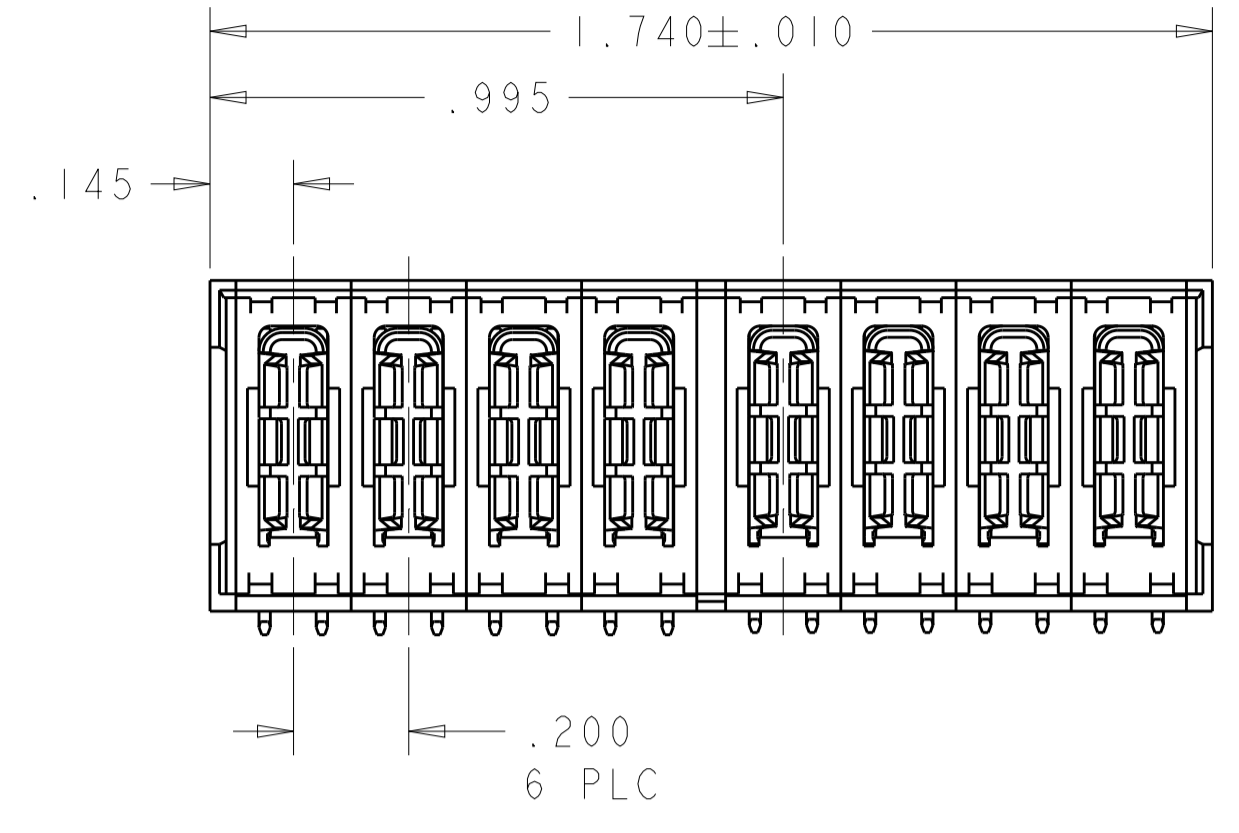
NAME: RIGHT ANGLE HEADER ASSEMBLY NO GUIDES MULTI-BEAM XLE
 SIZE: A1
 CAGE CODE: 100779
 DRAWING NO: 6450849
 SCALE: 4:1
 SHEET: 3 OF 8
 REV: D3

STE TE Connectivity

LOC	DIST	REVISIONS			
P	LTN	DESCRIPTION	DATE	DMN	APVD
ES	00	SEE SHEET 1			

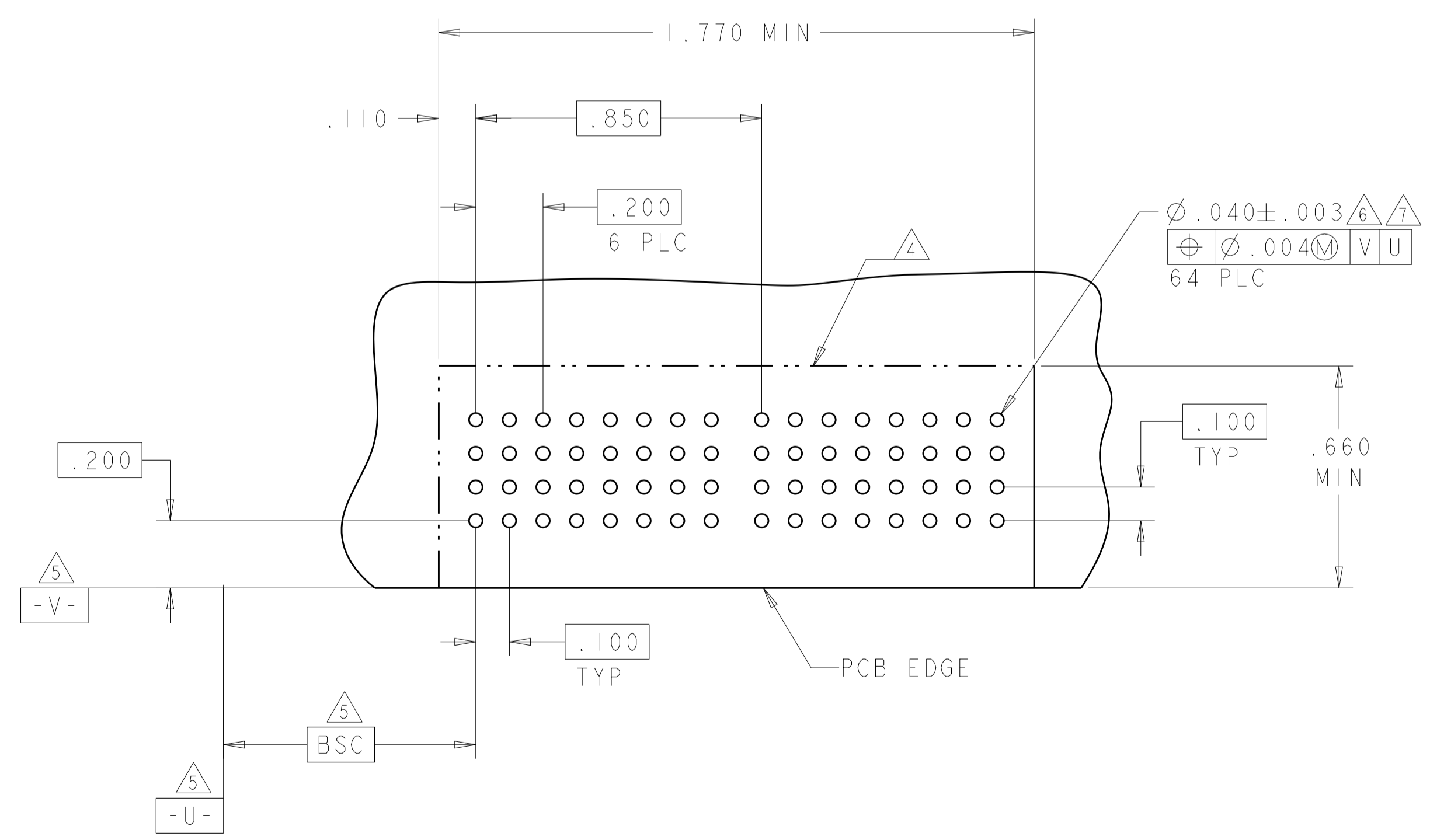
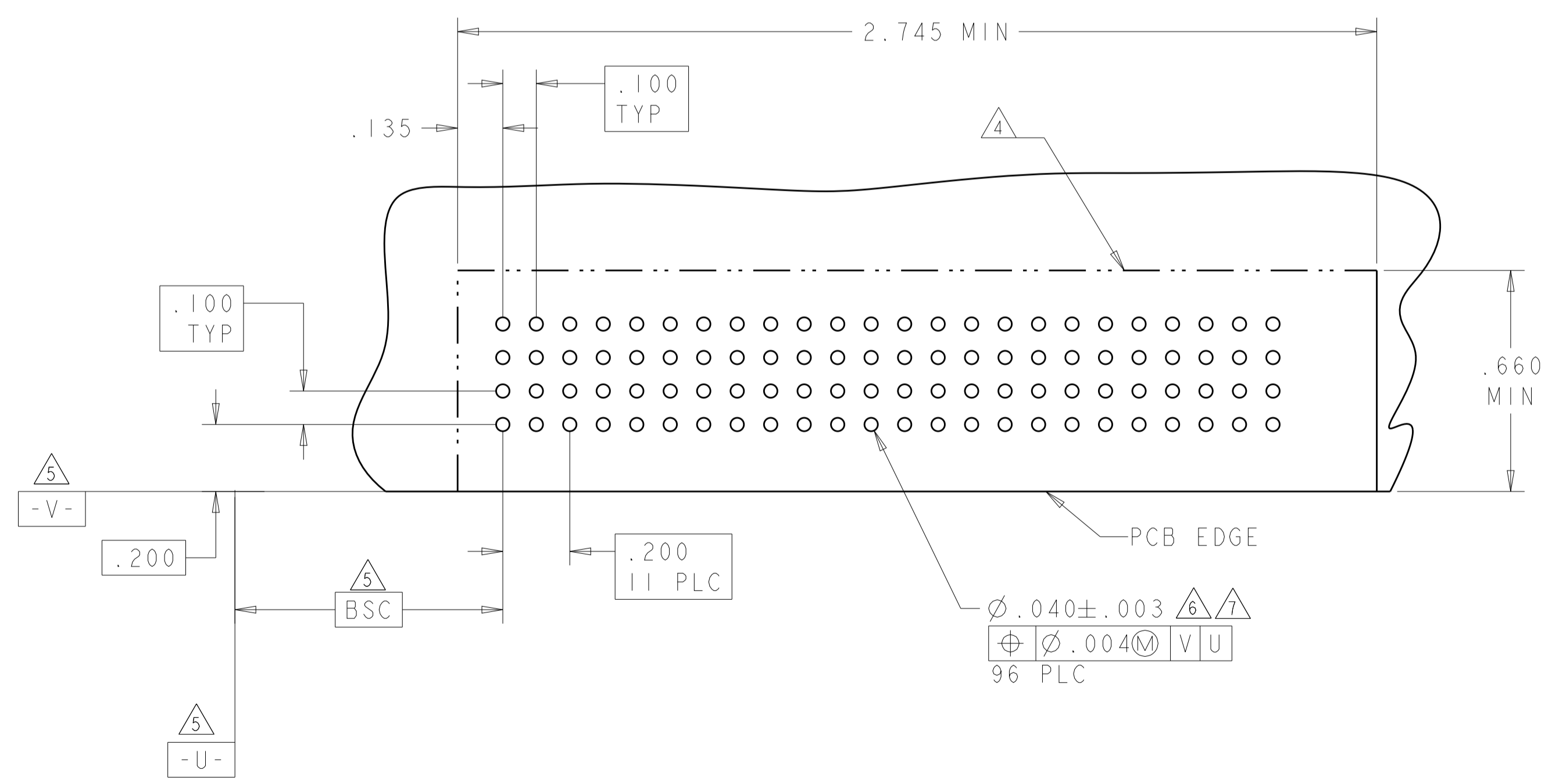


PART NUMBER: 6450849-3



ASSY PART NUMBER	POWER											
	P1	P2	P3	P4	P5	P6	P7	P8	P9	P10	P11	P12
6450849-3	TT	TT	TT	TT	TT	TT	TT	TT	TT	TT	TT	TT
12P												

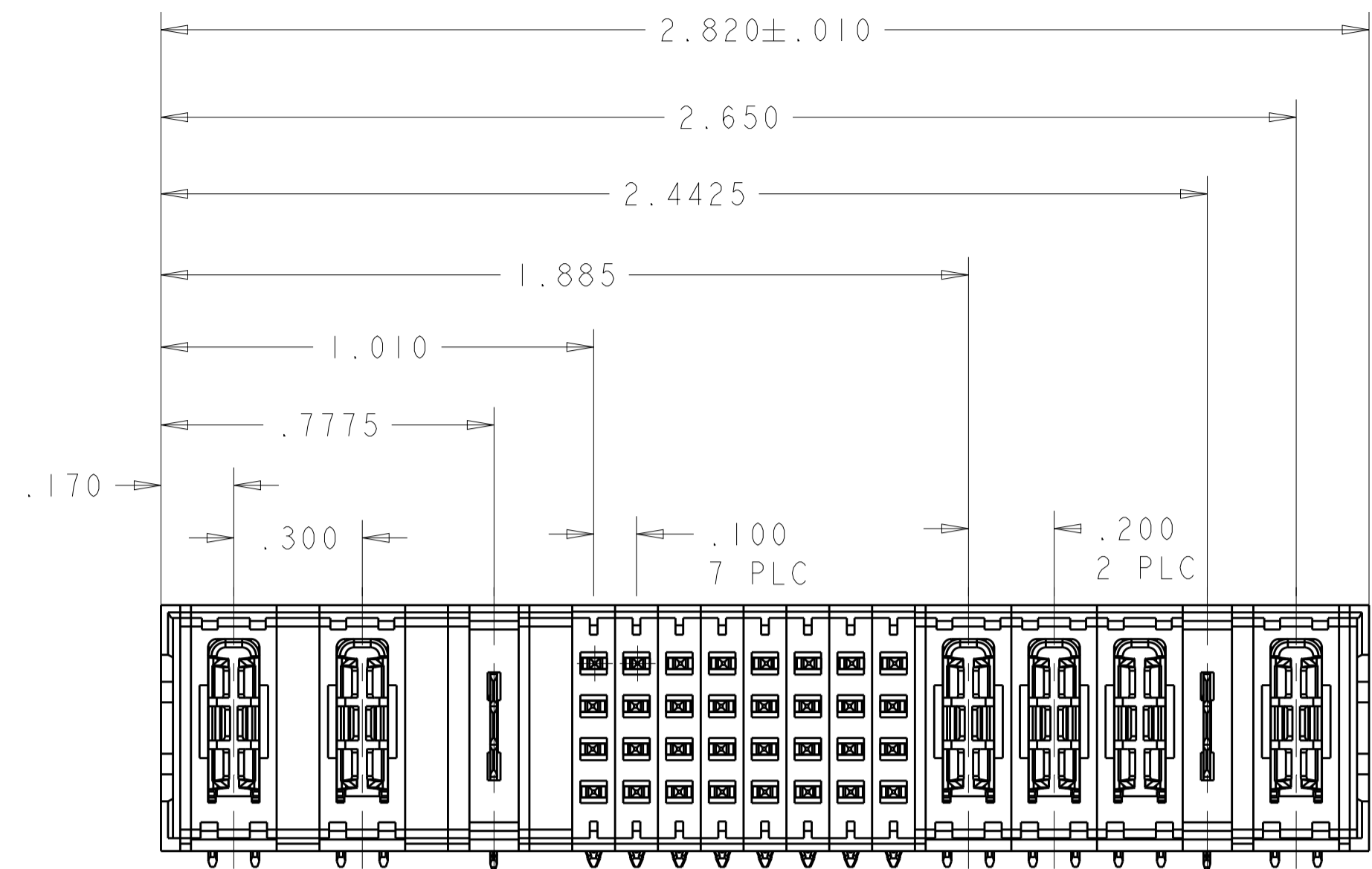
PART NUMBER	ROWS	POWER							
		P1	P2	P3	P4	P5	P6	P7	P8
6450849-4	D								
	C	TT	TT	TT	TT	TT	TT	TT	TT
	B								
	A								
8P									



THIS DRAWING IS A CONTROLLED DOCUMENT.

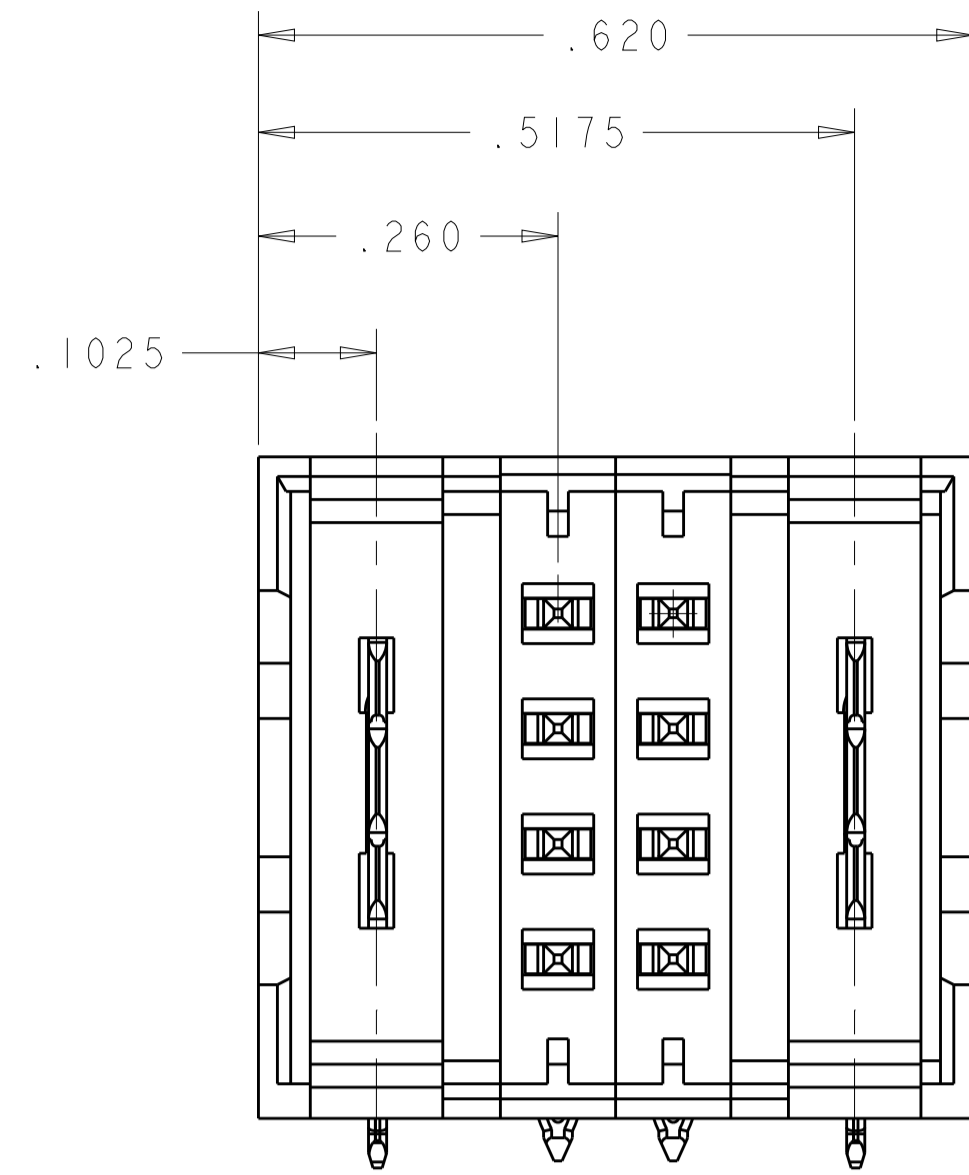
DIMENSIONS:	TOLERANCES UNLESS OTHERWISE SPECIFIED:	DMN: H. LIU 30APR2008	TE Connectivity
INCHES	0 PLC ±. 1 PLC ±.01 2 PLC ±.01 3 PLC ±.005 4 PLC ±.0020 ANGLES ±.0°	CHK: S. ZHAO 30APR2008	
MATERIAL:	FINISH:	APVD: S. YAO	NAME: RIGHT ANGLE HEADER ASSEMBLY NO GUIDES MULTI-BEAM XLE
		PRODUCT SPEC: 108-2292	SIZE: A1
		APPLICATION SPEC: 114-13038	CAGE CODE: 6450849
		WEIGHT:	RESTRICTED TO:
		CUSTOMER DRAWING	SCALE: 4:1 SHEET 4 OF 8 REV: D3

C1

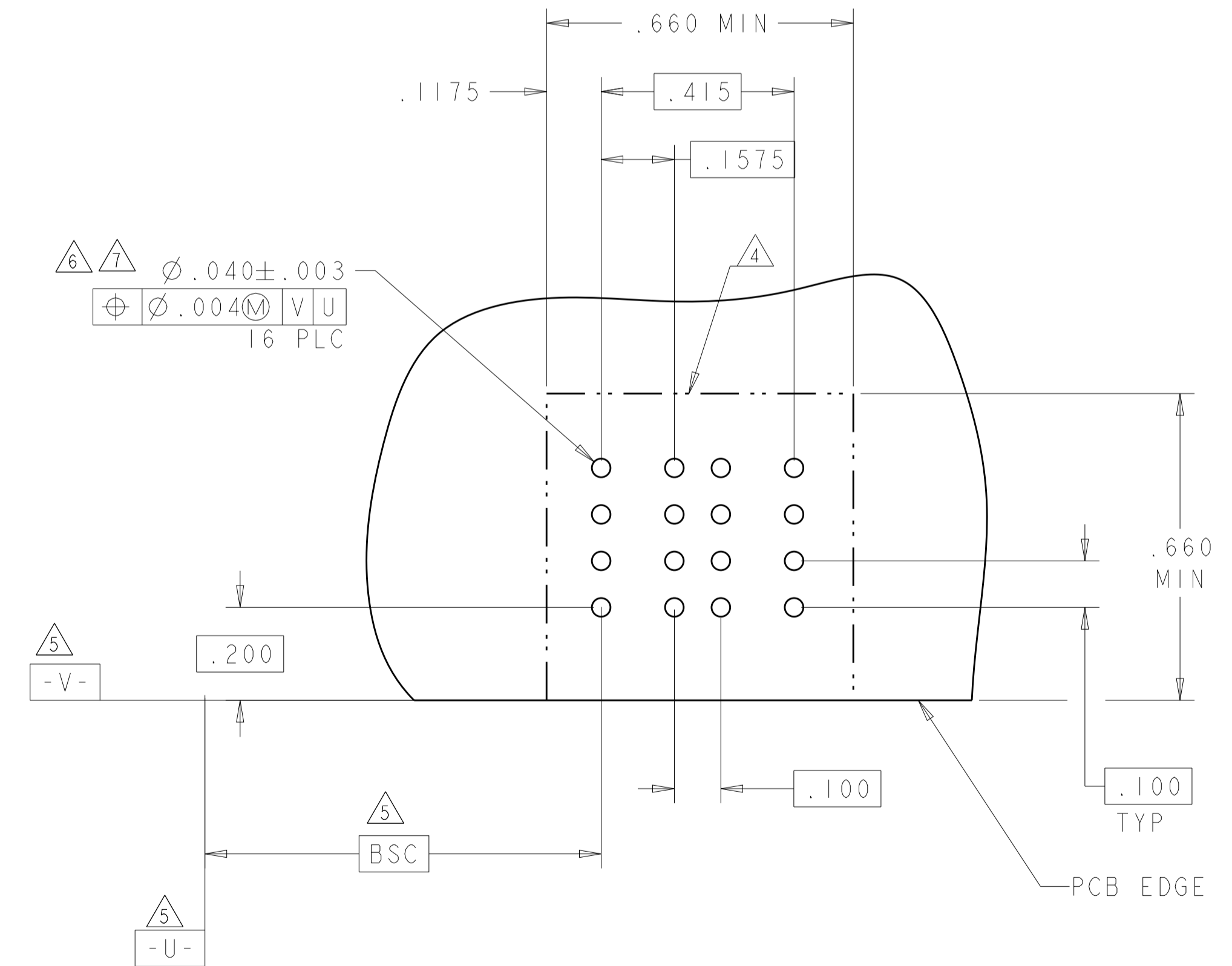
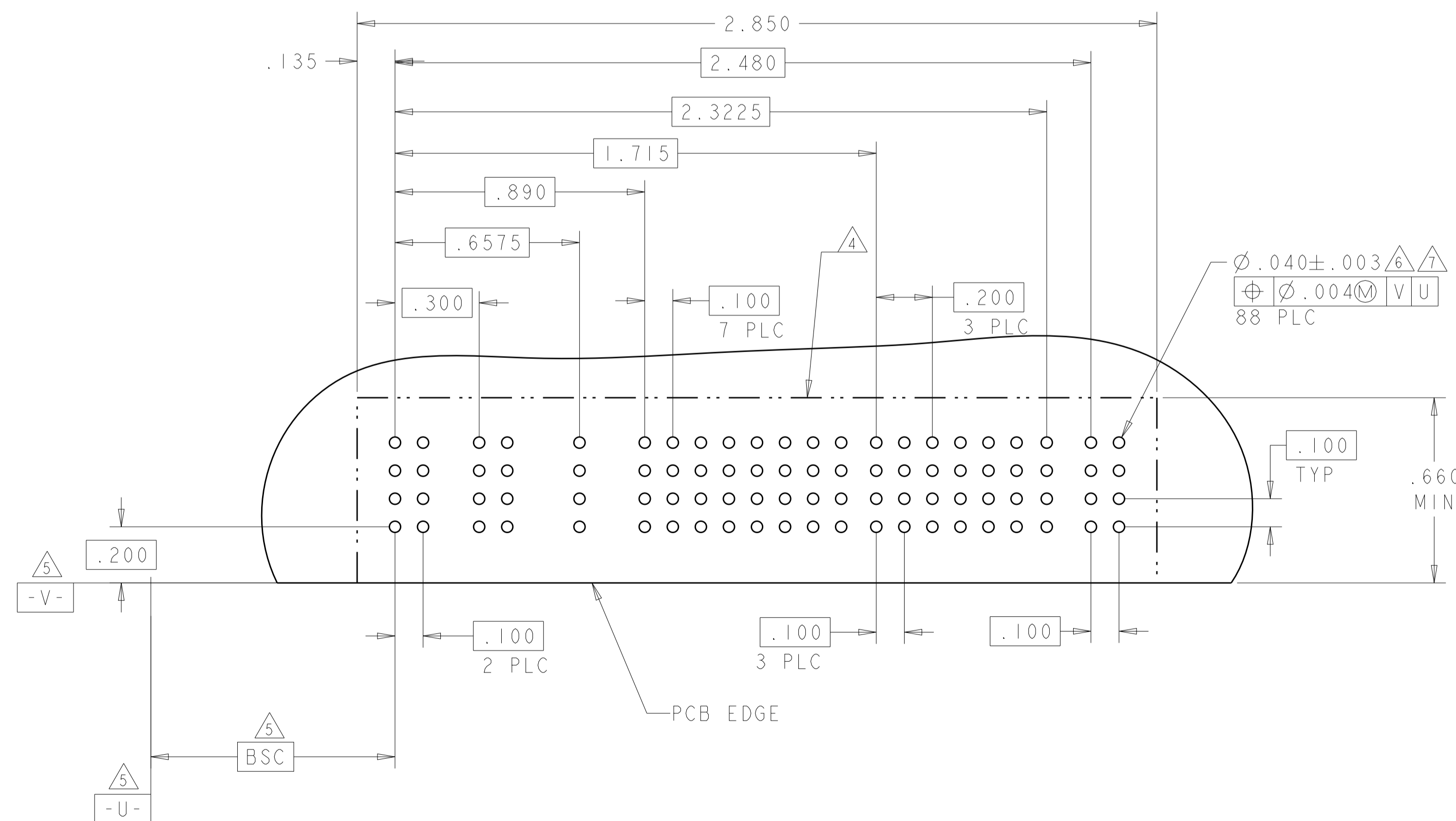


PART NUMBER	ROWS	POWER		SIGNAL								POWER					
		P1	P2	LPI	1	2	3	4	5	6	7	8	P3	P4	P5	LP2	P6
6450849-7	D				Z5	Z5	Z5	Z5	Z5	Z5	Z5						
	C			LT	Y5	Y5	Y5	Y5	Y5	Y5	Y5	TT	TT	TT	LT	TT	
	B				R5	R5	R5	R5	R5	R5	R5						
	A				O5	O5	O5	O5	O5	O5	O5	O1					
2ACP+1LP+32S+3HDP+1LP+1HDP																	

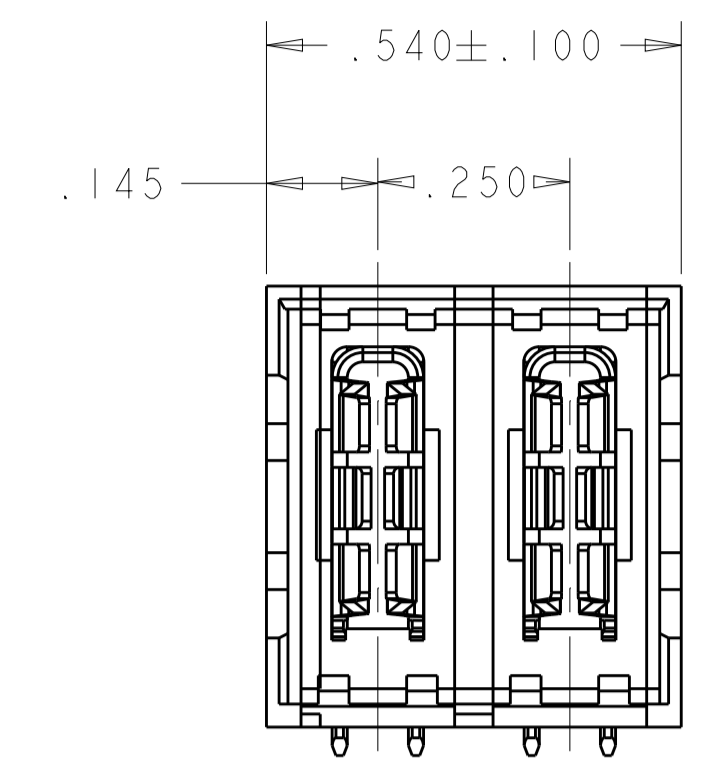
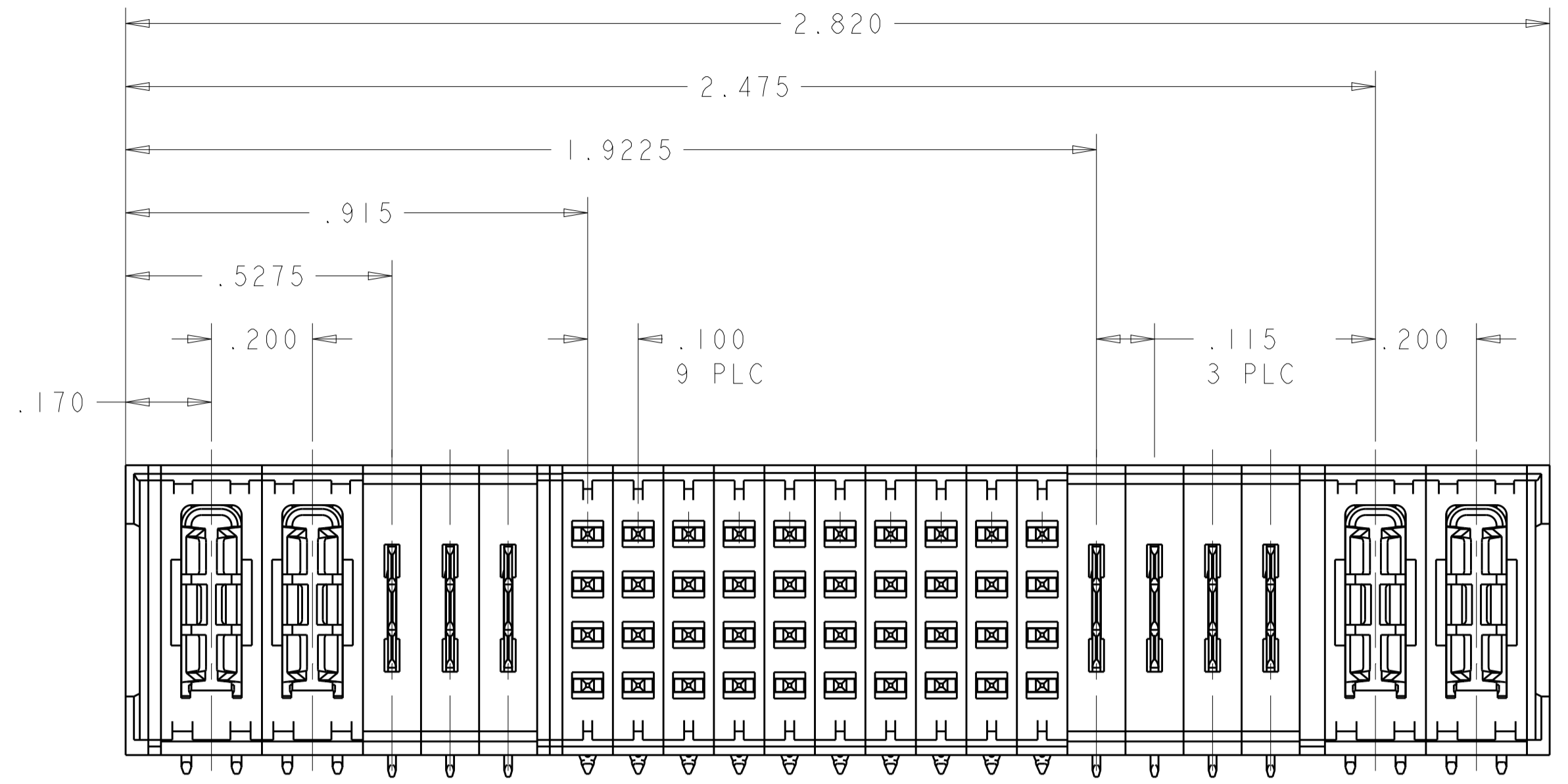
C2



PART NUMBER	ROWS	POWER	SIGNAL		POWER
		LPI	1	2	LP2
6450849-8	D		Z5	Z5	
	C	LT	Y5	Y5	LT
	B		R5	R5	
	A		O5	O5	
1LP + 8S + 1LP					

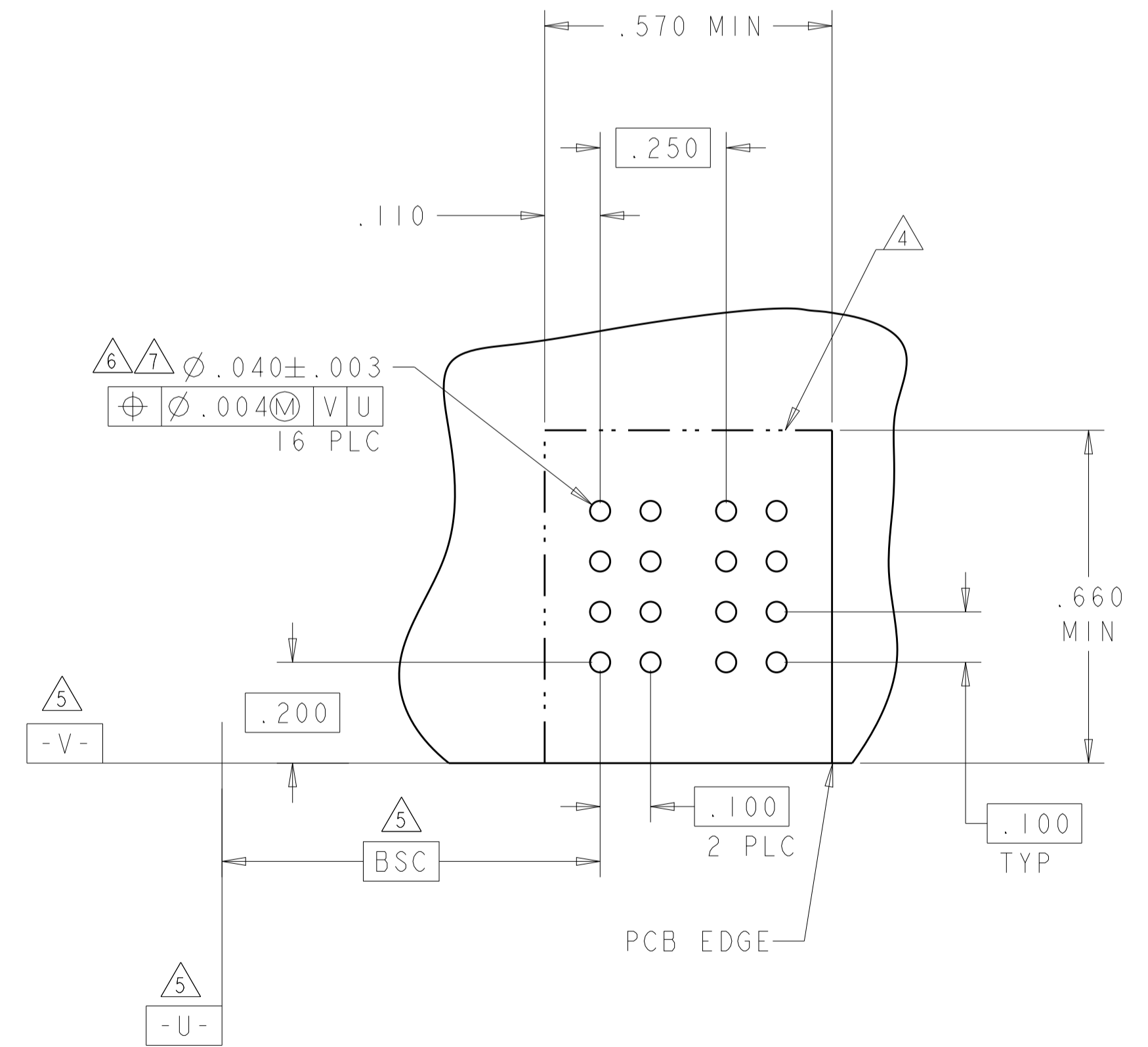
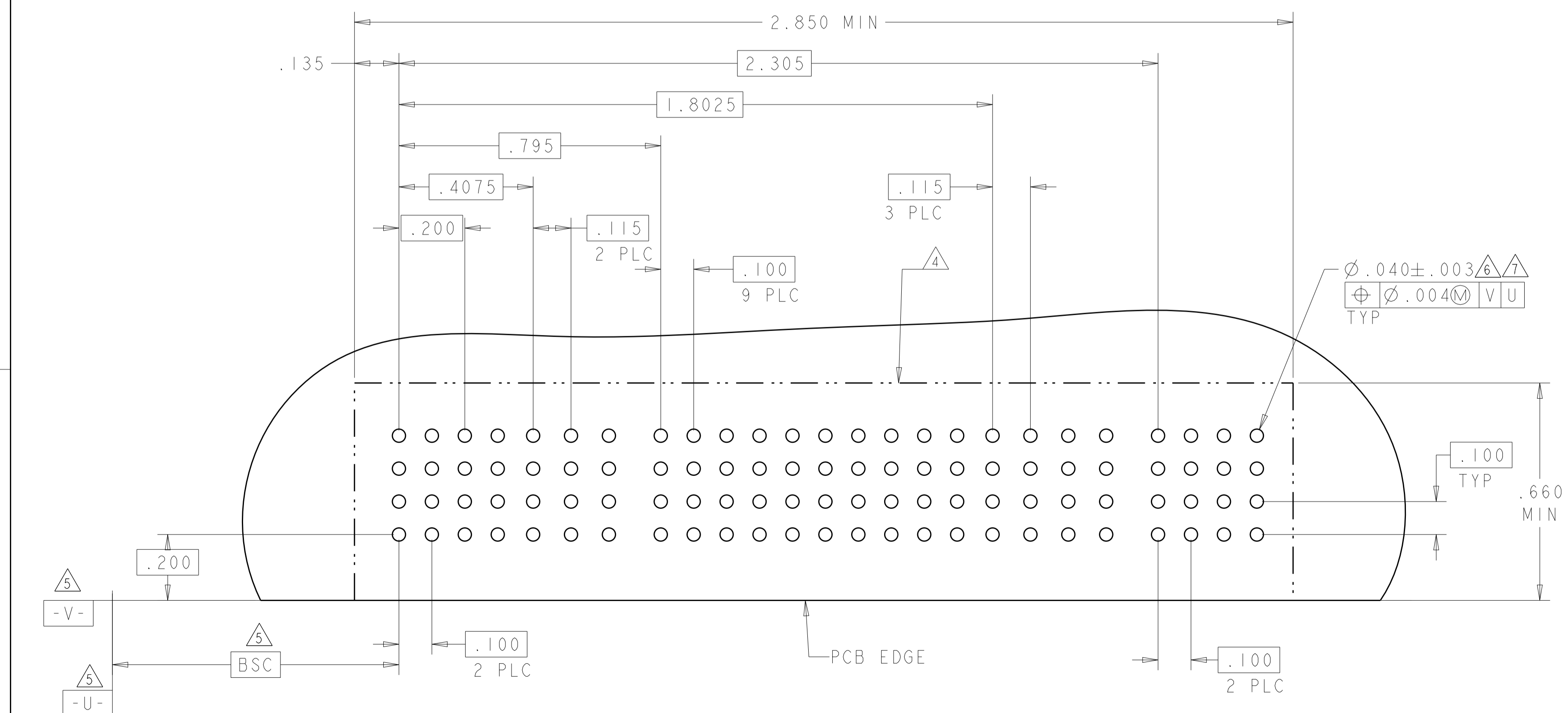


LOC	DIST	REVISONS	DATE	DNM	APVD
ES	00	SEE SHEET 1	-	-	-



PART NUMBER	ROWS	POWER					SIGNAL										POWER					
		P1	P2	LP1	LP2	LP3	1	2	3	4	5	6	7	8	9	10	P3	P4	P5	LP2	P6	
6450849-9	D						Z5	Z5	Z5	Z5	Z5	Z5	Z5	Z5	Z5	Z5						
	C	TT	TT	LT	LT	LT	Y5	Y5	Y5	Y5	Y5	Y5	Y5	Y5	Y5							
	B						R5	R5	R5	R5	R5	R5	R5	R5	R5							
	A						O5	O5	O5	O5	O5	O5	O5	O5	O5							
2HDP+3LP+40S+4LP+2HDP																						

PART NUMBER	ROWS	POWER	
		P1	P2
I-6450849-0	D		
	C	TT	TT
	B		
	A		
		2P	



THIS DRAWING IS A CONTROLLED DOCUMENT.

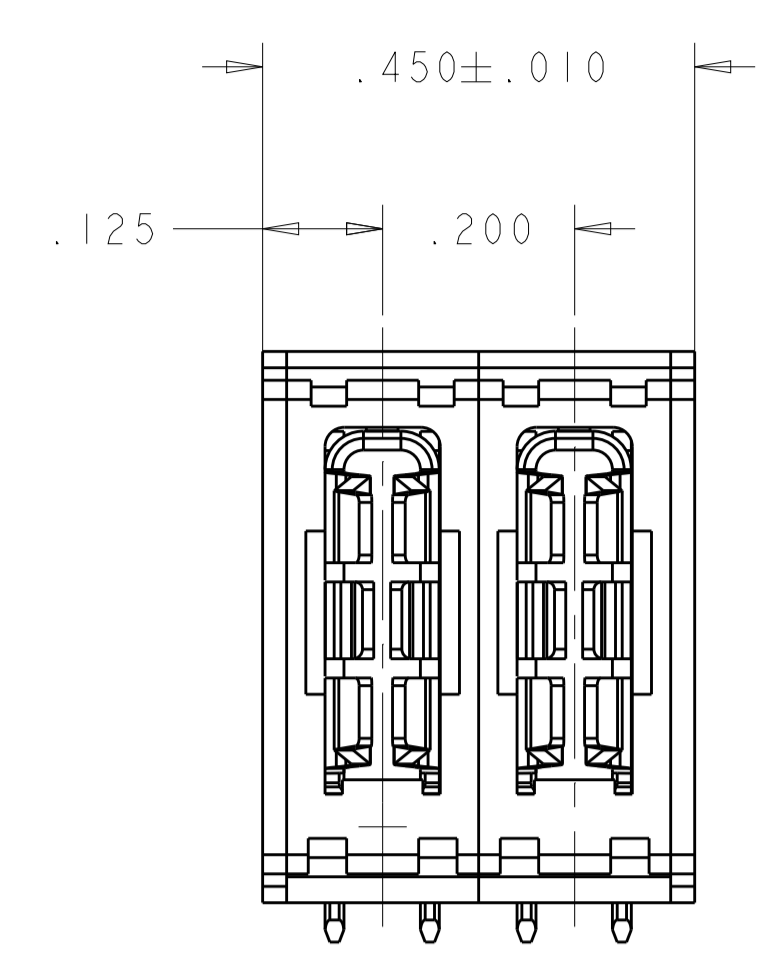
DIMENSIONS: INCHES	TOLERANCES UNLESS OTHERWISE SPECIFIED:	DRN: H.LIU 30APR2008	CHK: S.ZHAO 30APR2008
0 PLC ±.01	1 PLC ±.01	APVD: S.YAO	NAME: S.YAO
2 PLC ±.005	3 PLC ±.005	PRODUCT SPEC: 108-2292	APPLICATION SPEC: 114-13038
4 PLC ±.0020	ANGLES ±.020	RESTRICTED TO: A100779	SCALE: 4:1
MATERIAL: -	FINISH: -	WEIGHT: -	SHEET 6 OF 8
CUSTOMER DRAWING		REV D3	

STE TE Connectivity

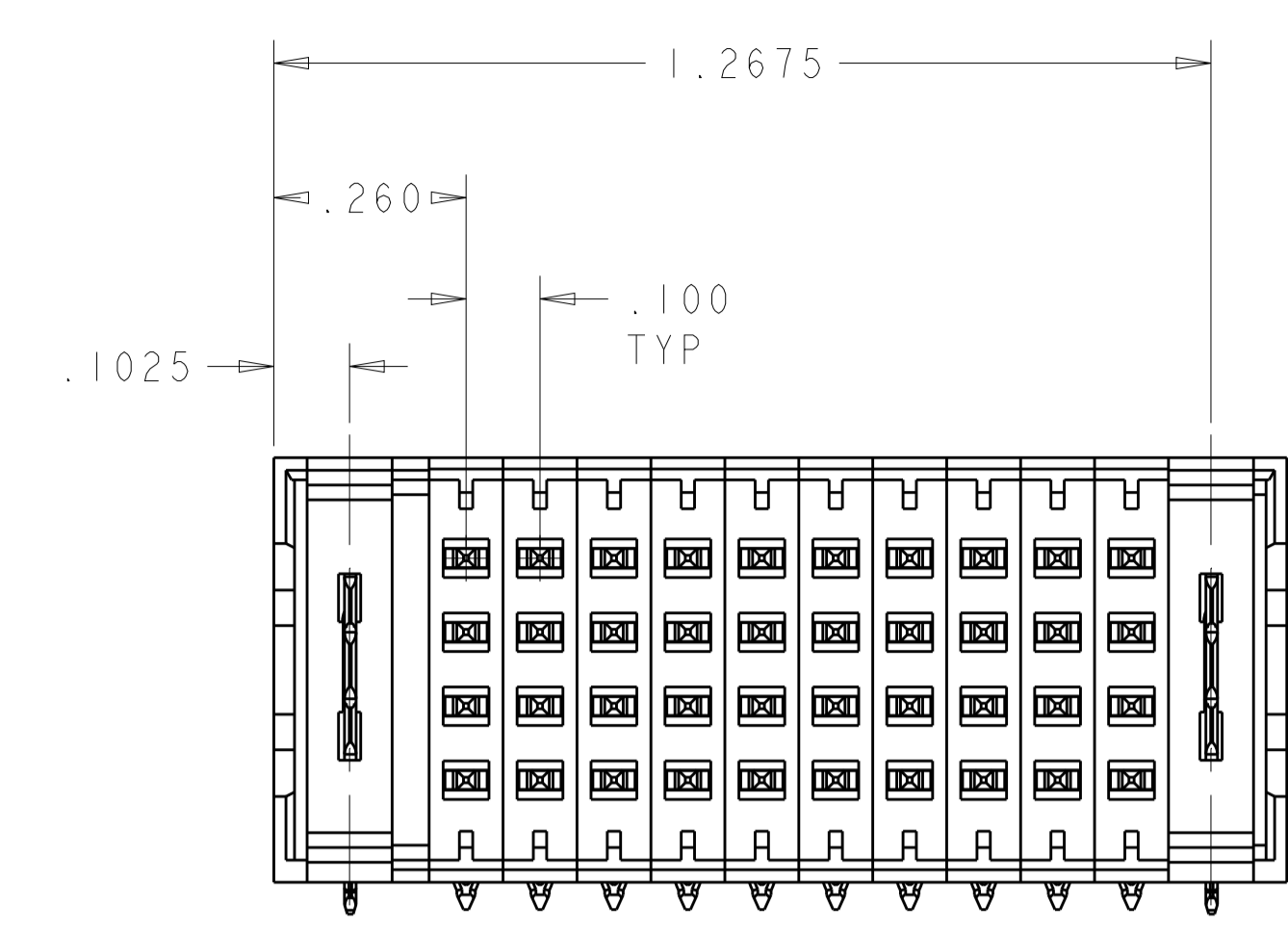
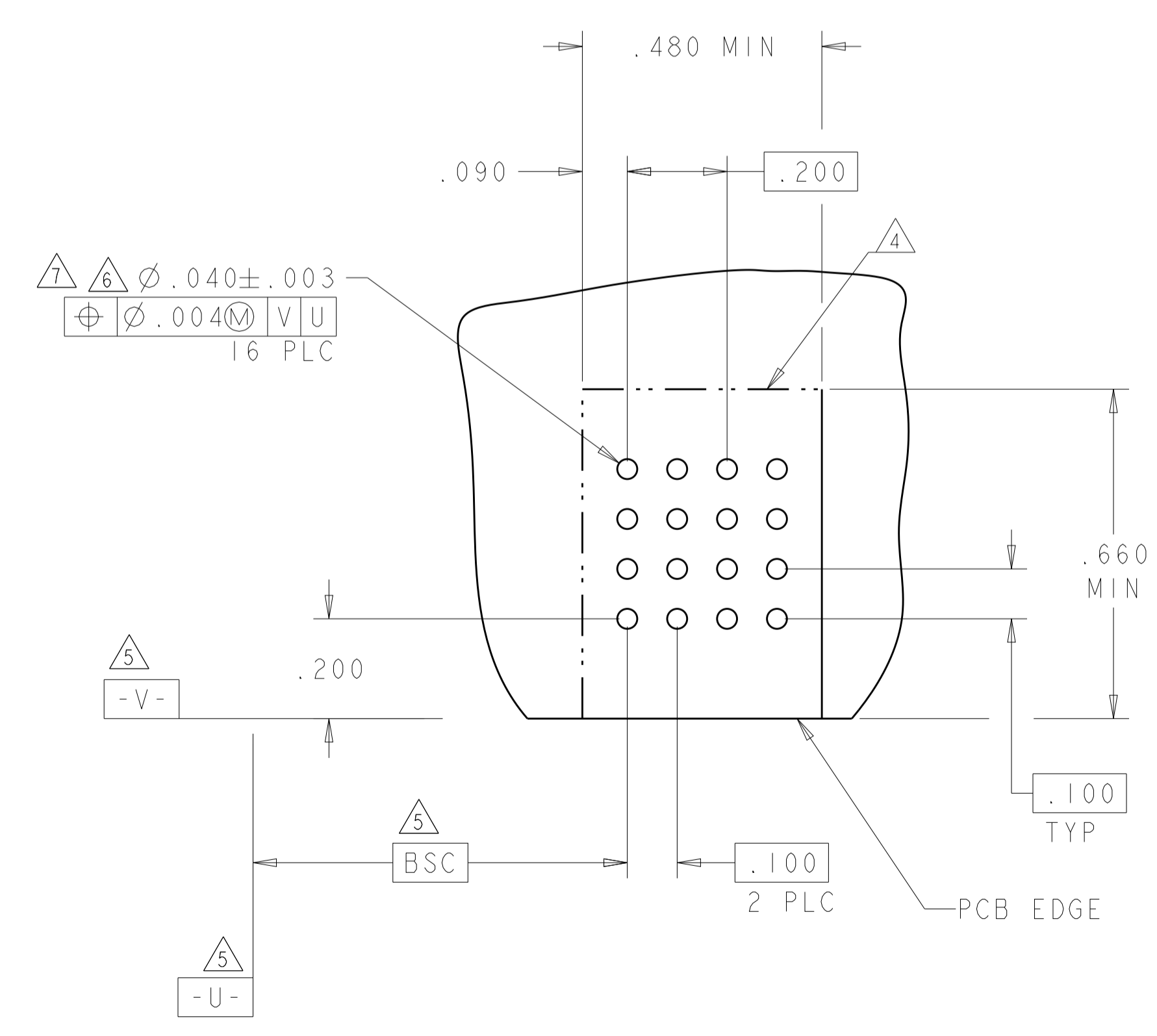
RIGHT ANGLE HEADER ASSEMBLY
NO GUIDES
MULTI-BEAM XLE

SIZE: CAGE CODE: DRAWING NO: A100779 ©=6450849

LOC		DIST		REVISIONS			
ES	00	P	LTN	DESCRIPTION	DATE	DWN	APVD
		-		SEE SHEET 1			



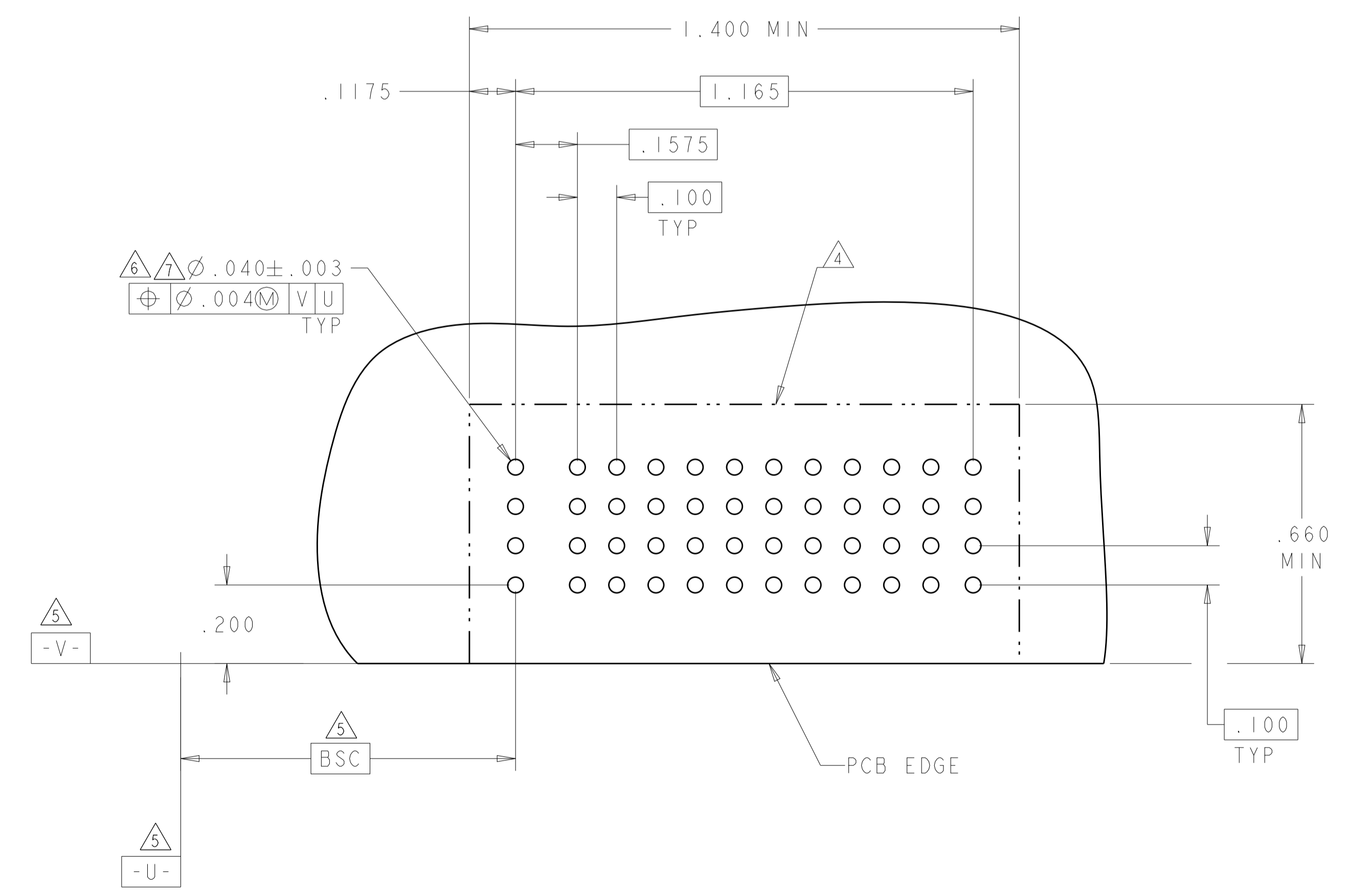
PART NUMBER	ROWS	POWER	
		P1	P2
I-6450849-2	D	TT	TT
	C		
	B		
	A		
	2P		



OTHER DIMENSIONS PLEASE REFER TO PAGE 1

PART NUMBER	ROWS	POWER		SIGNAL										POWER	
		LP1		1	2	3	4	5	6	7	8	9	10	LP2	
I-6450849-3	D	LT	LT	Z5	Z5	Z5	Z5	Z5	Z5	Z5	Z5	Z5	Z5	Z5	LT
	C			Y5	Y5	Y5	Y5	Y5	Y5	Y5	Y5	Y5	Y5		
	B			R5	R5	R5	R5	R5	R5	R5	R5	R5	R5		
	A			O5	O5	O5	O5	O5	O5	O5	O5	O5	O5		

ILP + 40S + ILP



THIS DRAWING IS A CONTROLLED DOCUMENT.

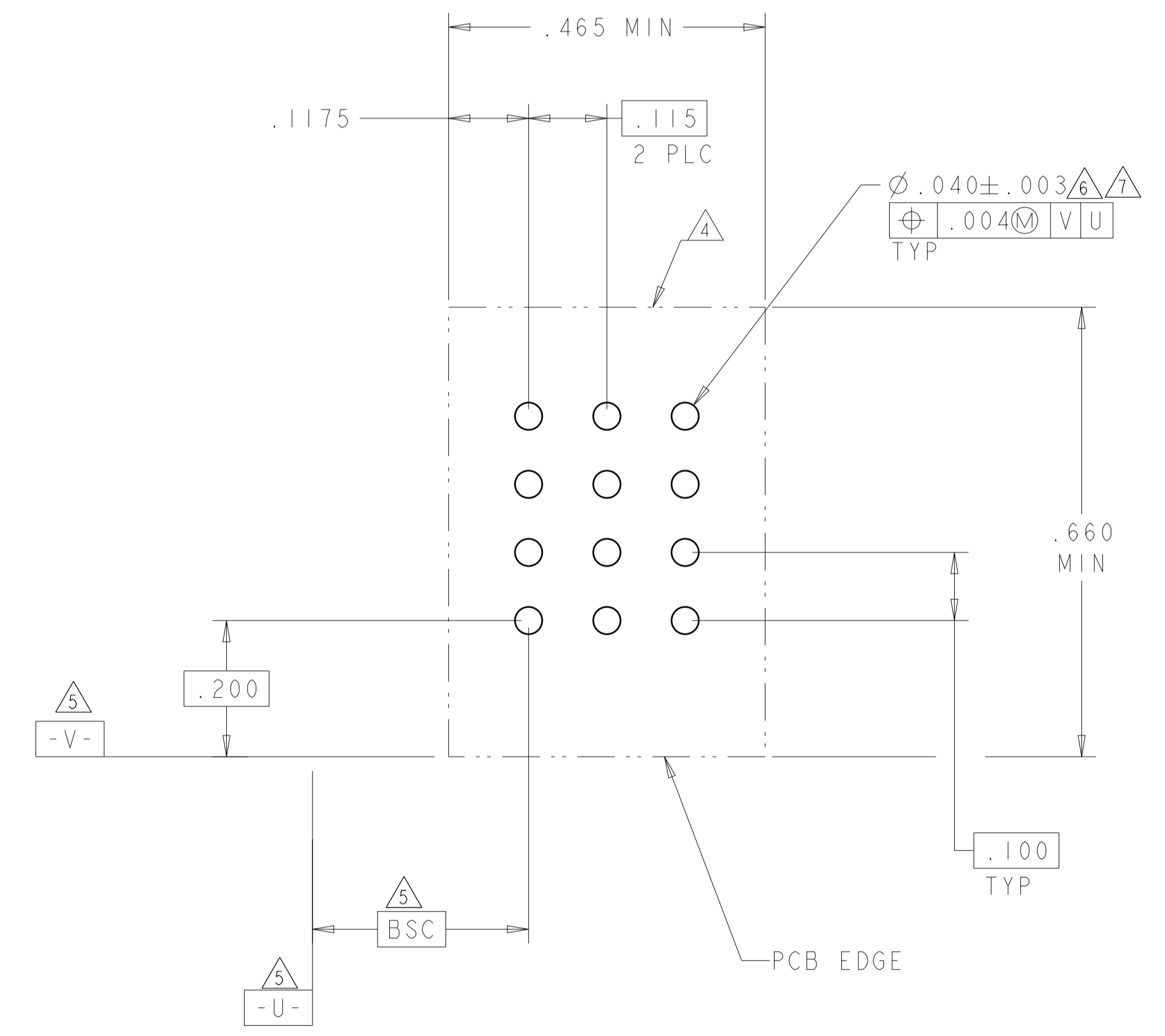
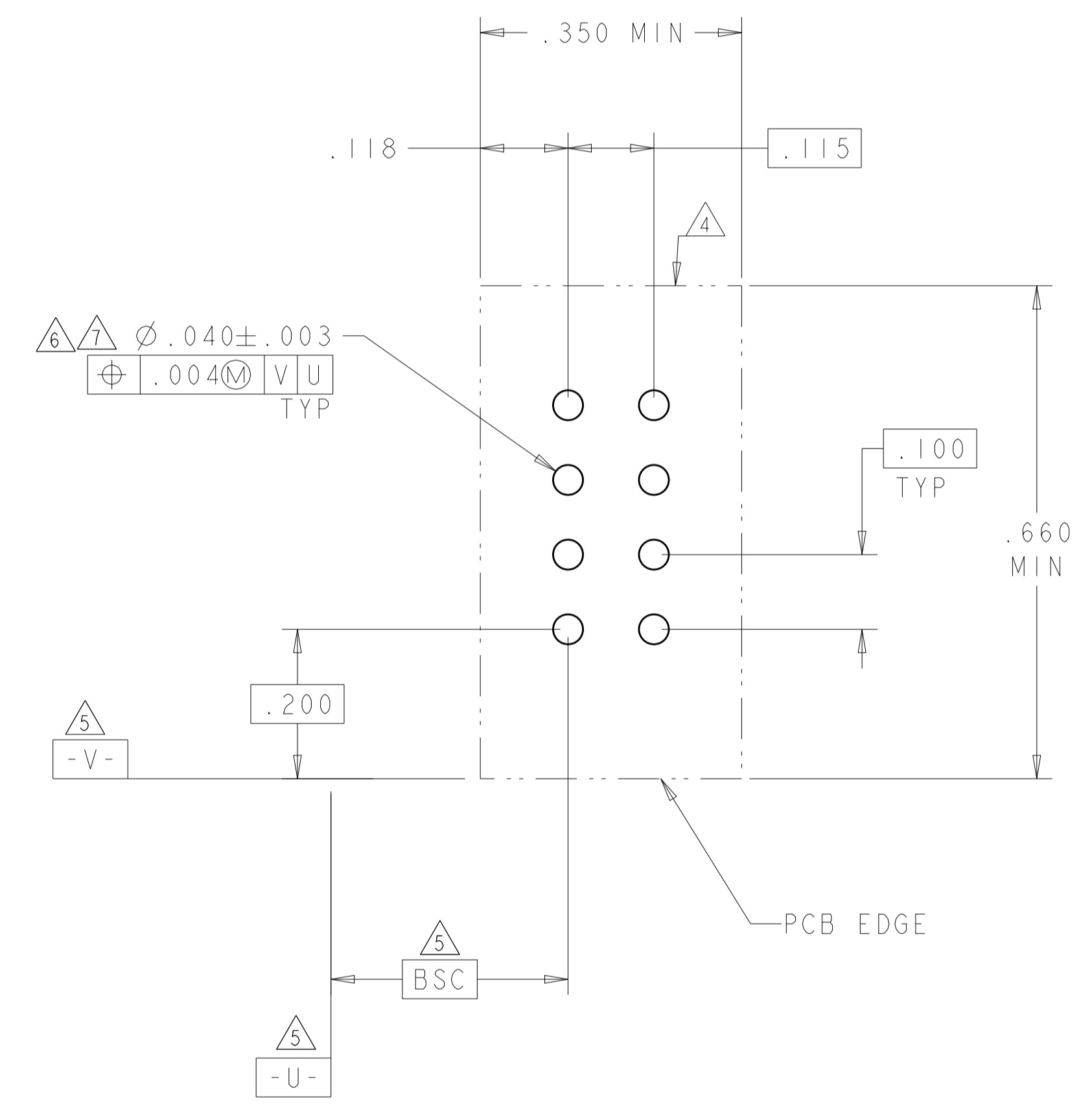
DIMENSIONS:	TOLERANCES UNLESS OTHERWISE SPECIFIED:	DWN	H.LIU	30APR2008
INCHES	0 PLC ±	CHK	S.ZHAO	30APR2008
	1 PLC ±.01	APVD	S.YAO	
	2 PLC ±.01	NAME	RIGHT ANGLE HEADER ASSEMBLY	
	3 PLC ±.005	PRODUCT SPEC	NO GUIDES	
	4 PLC ±.0020	APPLICATION SPEC	MULTI-BEAM XLE	
	ANGLES ±.0020	SIZE	CAGE CODE	DRAWING NO
MATERIAL	FINISH	114-13038	A100779	6450849
		WEIGHT		
		CUSTOMER DRAWING	SCALE	4:1

RESTRICTED TO SHEET 7 OF 8 REV D.3

LOC	DIST	REVISIONS			
P	LTN	DESCRIPTION	DATE	DMN	APVD
ES	00	SEE SHEET 1			

PART NUMBER	ROWS	LOW POWER	
		LPI	LP2
I-6450849-4	D	LT	LT
	C		
	B		
	A		
2LP			

PART NUMBER	ROWS	LOW POWER		
		LPI	LP2	LP3
I-6450849-5	D	LT	LT	LT
	C			
	B			
	A			
3 LP				



THIS DRAWING IS A CONTROLLED DOCUMENT.

DIMENSIONS: INCHES	TOLERANCES UNLESS OTHERWISE SPECIFIED: 0 PLC ± 2 PLC ±.01 3 PLC ±.005 4 PLC ±.0020 ANGLES ±.2°	FINISH	APVD: S. YAO	DATE: 30APR2008	CHK: S. ZHAO	DATE: 30APR2008	NAME: S. YAO	PRODUCT SPEC: 108-2292	APPLICATION SPEC: 114-13038	WEIGHT: -	SIZE: A1	CAGE CODE: 100779	DRAWING NO: C=6450849	RESTRICTED TO: -	
MATERIAL: -											CUSTOMER DRAWING		SCALE: 4:1	SHEET: 8 OF 8	REV: D3

STE TE Connectivity

RIGHT ANGLE HEADER ASSEMBLY
 NO GUIDES
 MULTI-BEAM XLE