



Chipsmall Limited consists of a professional team with an average of over 10 year of expertise in the distribution of electronic components. Based in Hongkong, we have already established firm and mutual-benefit business relationships with customers from,Europe,America and south Asia,supplying obsolete and hard-to-find components to meet their specific needs.

With the principle of “Quality Parts,Customers Priority,Honest Operation,and Considerate Service”,our business mainly focus on the distribution of electronic components. Line cards we deal with include Microchip,ALPS,ROHM,Xilinx,Pulse,ON,Everlight and Freescale. Main products comprise IC,Modules,Potentiometer,IC Socket,Relay,Connector.Our parts cover such applications as commercial,industrial, and automotives areas.

We are looking forward to setting up business relationship with you and hope to provide you with the best service and solution. Let us make a better world for our industry!



Contact us

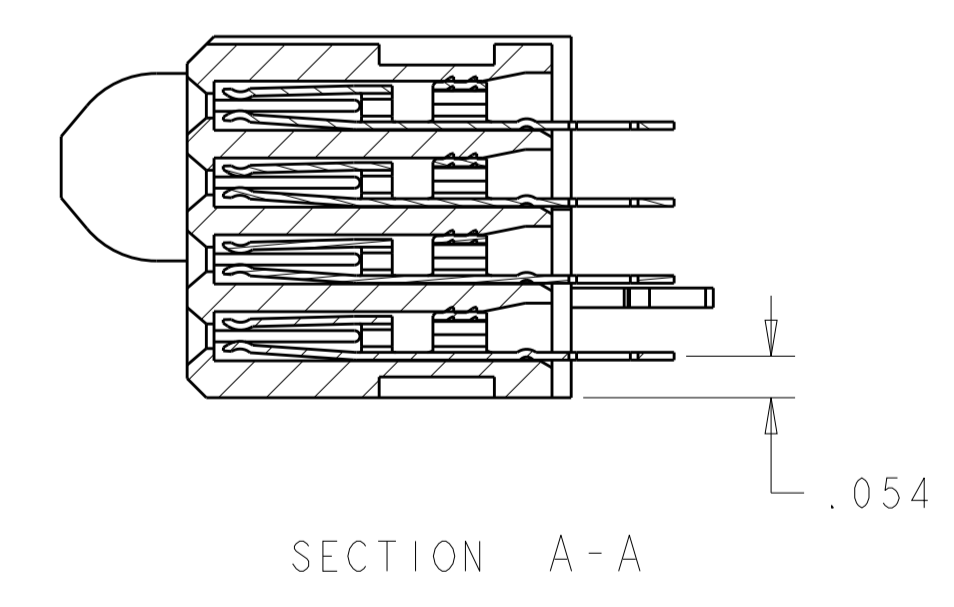
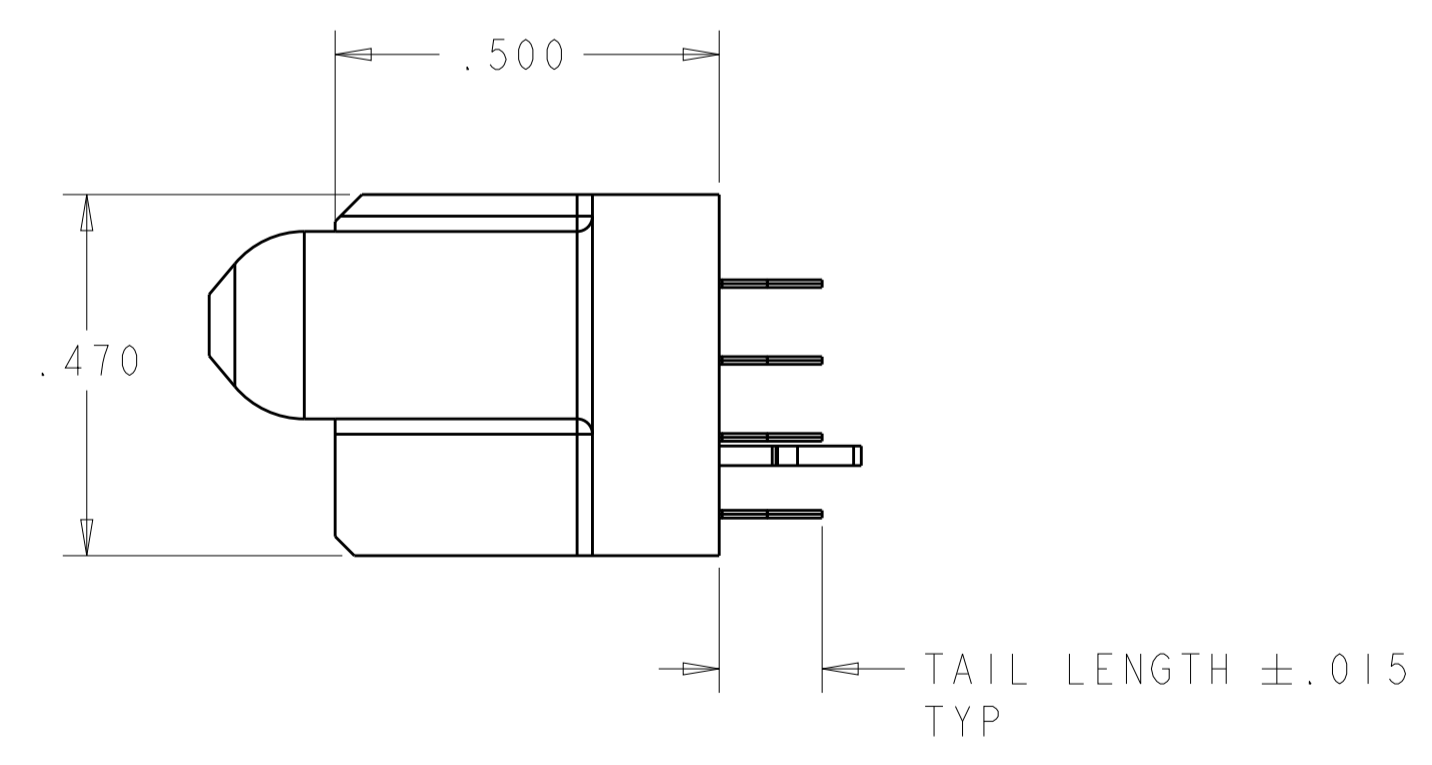
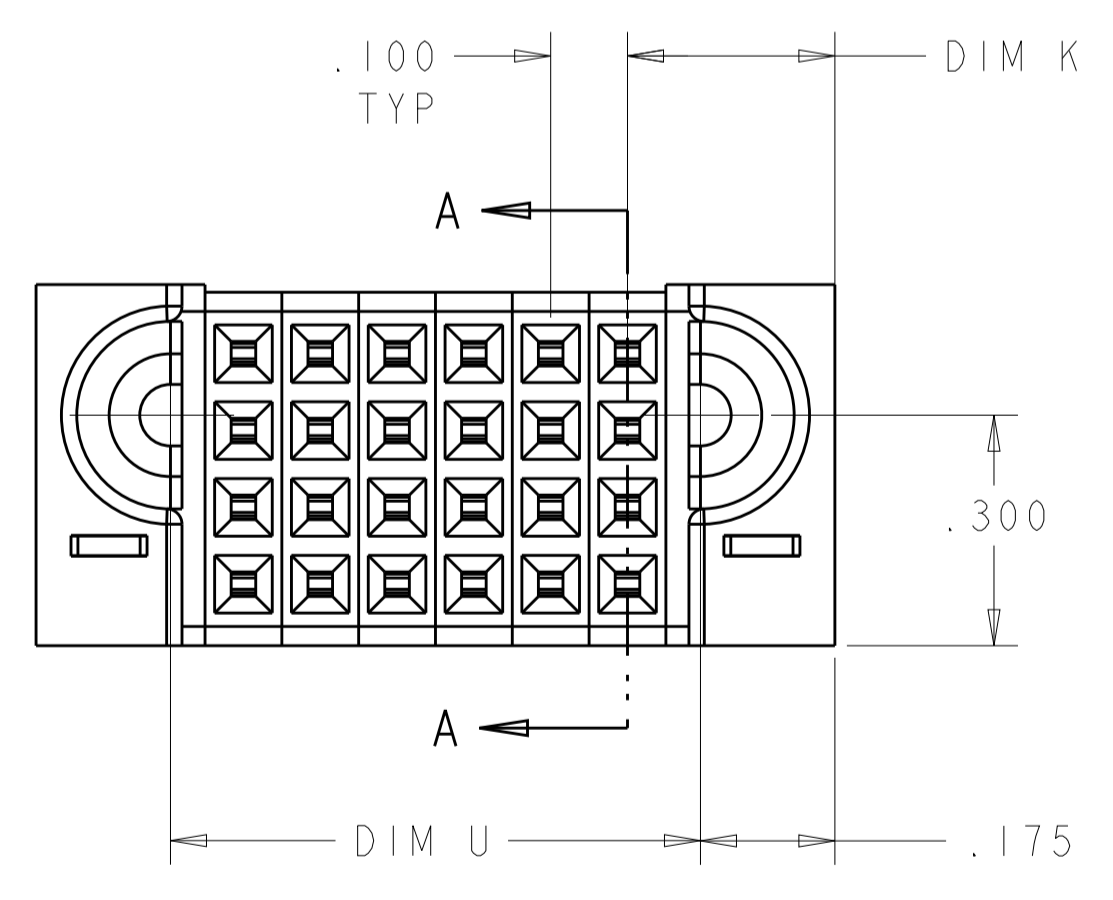
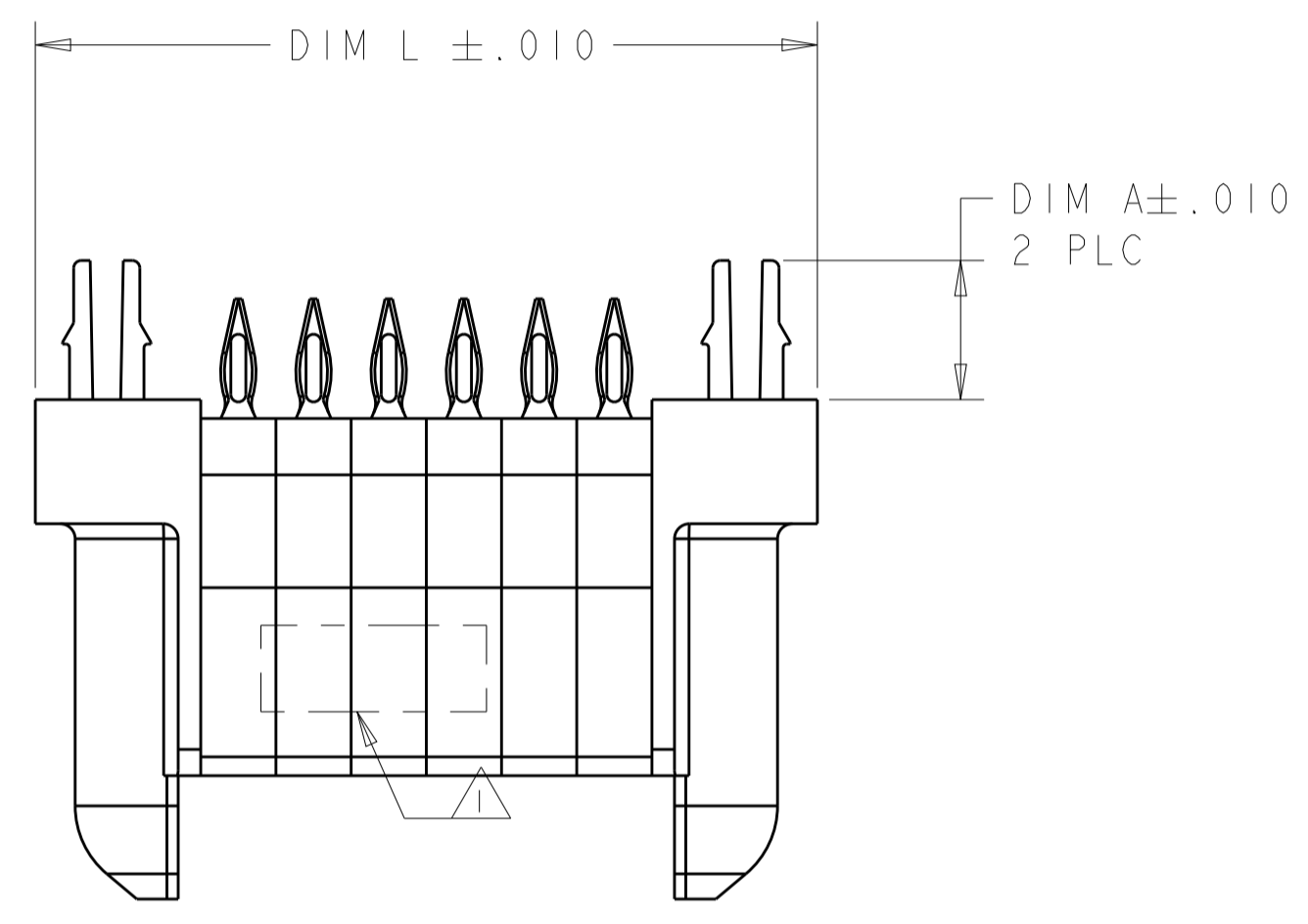
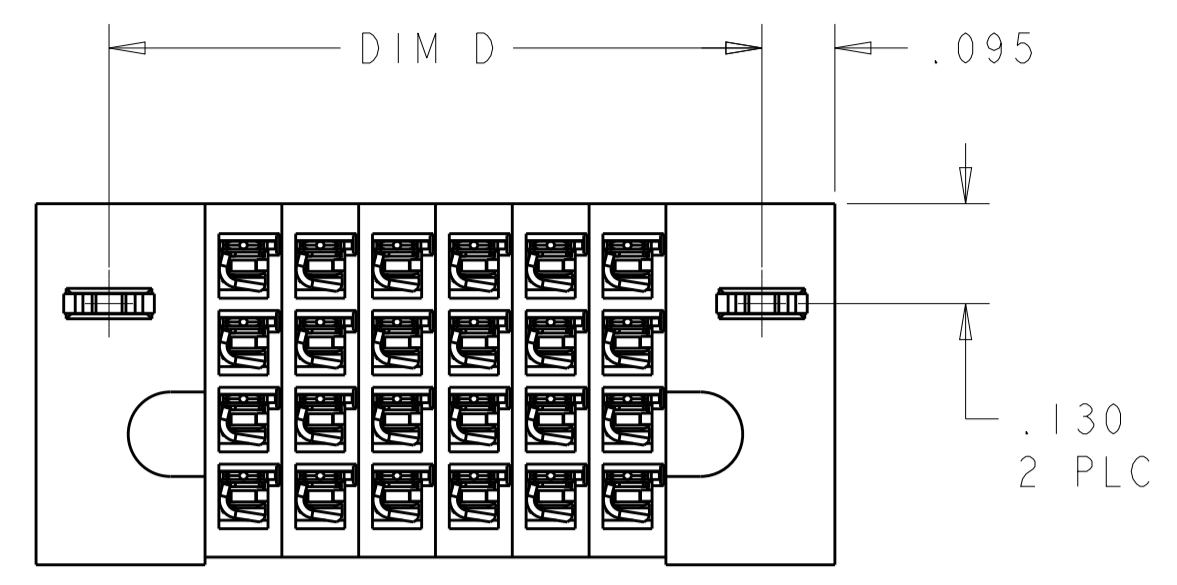
Tel: +86-755-8981 8866 Fax: +86-755-8427 6832

Email & Skype: info@chipsmall.com Web: www.chipsmall.com

Address: A1208, Overseas Decoration Building, #122 Zhenhua RD., Futian, Shenzhen, China



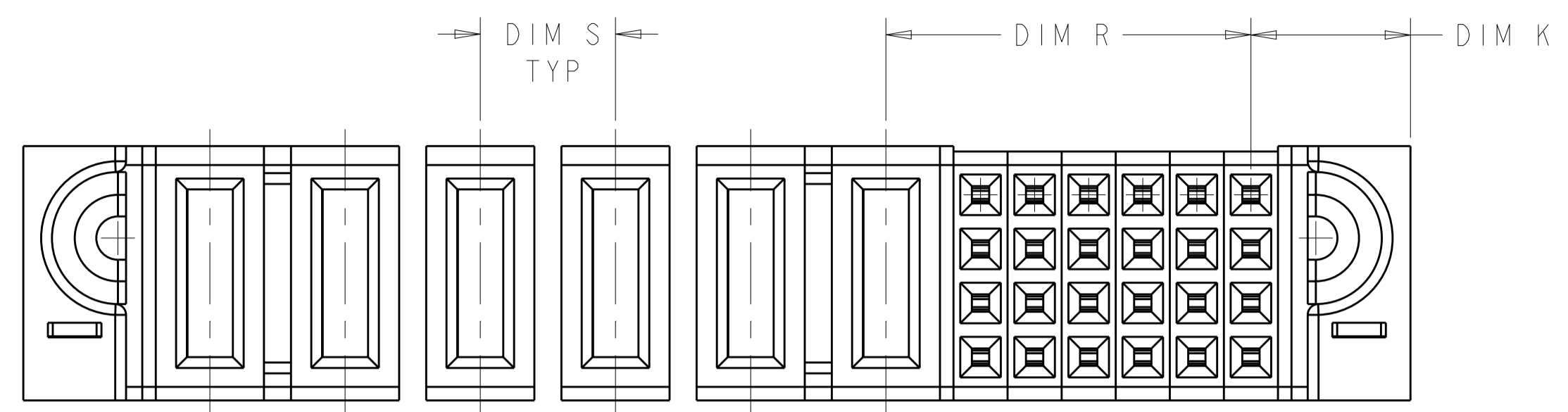
LOC	DIST	REVISIONS					
		P	LTN	DESCRIPTION	DATE	DMN	APVD
ES	00	G5		ADD NEW DASH NUMBER 1-8	11AUG2014	AL	SZ



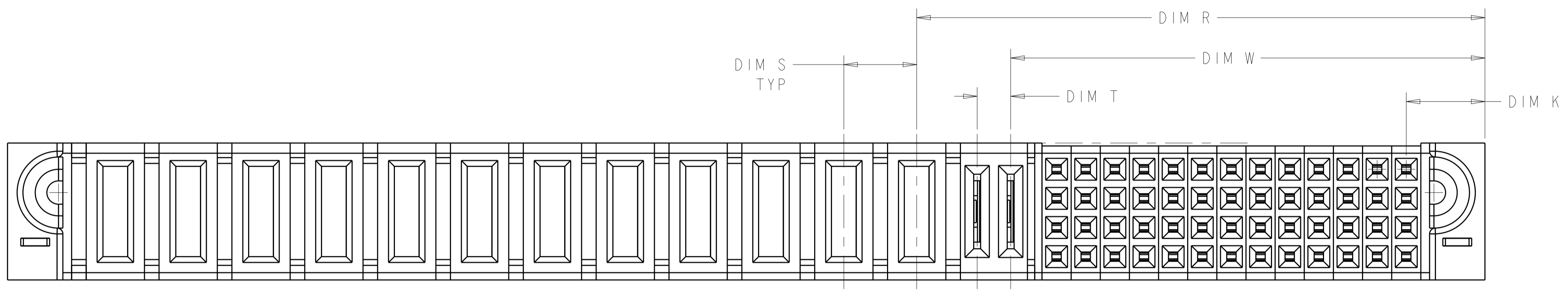
- 1 "AMP", PART NUMBER AND DATE CODE TO BE MARKED IN AREA SHOWN PARTS UNDER 2.00 LONG MAY BE MARKED ON BOTH SIDES
- 2 MATERIAL: HOUSING - GLASS FILLED HIGH TEMP THERMO PLASTIC, UL94 V-0
 SIGNAL CONTACT - HIGH CONDUCTIVITY COPPER ALLOY
 POWER CONTACT - HIGH CONDUCTIVITY COPPER ALLOY
- 3 CONTACT PLATING: NOBLE METAL PLATING ON CONTACT FUNCTIONAL AREA OF POWER AND SIGNAL CONTACTS
- 4 MECHANICAL CONNECTOR KEEP OUT ZONE
- 5 DATUM AND BASIC DIMENSIONS ESTABLISHED BY CUSTOMER
- 6 PCB - ALL HOLE DIAMETERS ARE FINISHED HOLE SIZES
- 7 PCB - 0.0453 ±.0010 DRILLED HOLES PLATED WITH .0003 MIN Sn OVER .001 TO .003 Cu PLATING TO ACHIEVE A .040 ±.0030 HOLE
- 8 FOR "S+P" CONFIGURATION ,VARIABLE DIMENSIONS PLEASE REFER TO SHEET 2
- 9 FOR "S+LP+P" CONFIGURATION ,VARIABLE DIMENSIONS PLEASE REFER TO SHEET 2
- 10 VARIABLE DIMENSION REFER TO THE DIMENSION ON CORRRESPONDING MODEL UNDER THE PCB

THIS DRAWING IS A CONTROLLED DOCUMENT.		DMN C. ZHOU CHK S. ZHAO	20JUN2012 20JUN2012	TE Connectivity		
DIMENSIONS: INCHES	TOLERANCES UNLESS OTHERWISE SPECIFIED:	APVD	NAME			
0 PLC ±. 1 PLC ±. 2 PLC ±. 3 PLC ±.005 4 PLC ±.0020 ANGLES ±.7°	PRODUCT SPEC 108-2292 APPLICATION SPEC 114-13251	SIZE A1	CAGE CODE 00779	DRAWING NO 6450861	RESTRICTED TO	
MATERIAL	FINISH	WEIGHT	SCALE	SHEET	OF	REV
			1:1	1	11	G5

LOC		DIST		REVISIONS				
ES	00	P	LTN	DESCRIPTION	DATE	DMN	APVD	
		-		SEE SHEET 1				



△ FOR "S + P" CONFIGURATION
 UNSPECIFIED DIMENSIONS REFER TO SHEET 1.



△ FOR "S + LP + P" CONFIGURATION
 UNSPECIFIED DIMENSIONS REFER TO SHEET 1.

.185	-	-	-	-	1.640	1.290	1.450	.270	48S	1-6450861-8
.128	-	-	△	.475 △	1.990	1.640	1.800	.270	16S + 4P	1-6450861-7
.185	-	-	-	-	.840	.490	.650	.270	16S	1-6450861-6
.185	-	-	.200 △	.675 △	1.865	1.515	1.675	.270	24S + 4P	1-6450861-5
.185	-	-	-	-	2.140	1.790	1.950	.320	64S	1-6450861-4
.185	-	-	.250 △	.475 △	3.840	3.490	3.650	.295	16S + 12P	1-6450861-3
.185	-	-	.300 △	.875 △	2.465	2.115	2.275	.320	32S + 4ACP	1-6450861-2
.185	-	-	.250 △	.475 △	3.340	2.990	3.150	.295	16S + 10P	1-6450861-1
.185	-	-	.250 △	.675 △	2.040	1.690	1.850	.270	24S + 4P	6450861-9
.185	-	-	.250 △	.475 △	1.440	1.090	1.250	.320	16S + 2P	6450861-8
.185	.115 △	1.6275 △	.250 △	1.950 △	5.070	4.720	4.880	.270	52S + 2LP + 12P	6450861-6
.185	-	-	.250 △	.675 △	3.065	2.715	2.875	.295	24S + 8P	6450861-5
.185	-	-	.250 △	.675 △	2.565	2.215	2.375	.295	24S + 6P	6450861-4
.185	-	-	.250 △	.675 △	2.565	2.215	2.375	.295	24S + 6P	6450861-3
.185	-	-	-	-	2.240	1.890	2.050	.270	72S	6450861-2
.185	-	-	-	-	1.040	.690	.850	.270	24S	6450861-1
DIM A	DIM T	DIM W	DIM S	DIM R	DIM L	DIM U	DIM D	DIM K	DESCRIPTION	PART NUMBER

THIS DRAWING IS A CONTROLLED DOCUMENT. DMN: C. ZHOU, 806N2008
 CHK: S. ZHAO, 806N2008
 APVD: S. YAO

STE TE Connectivity

NAME: VERVIEWBAREBERSSEMBLY
 PRODUCT SPEC: 108-2292
 APPLICATION SPEC: 114-13058

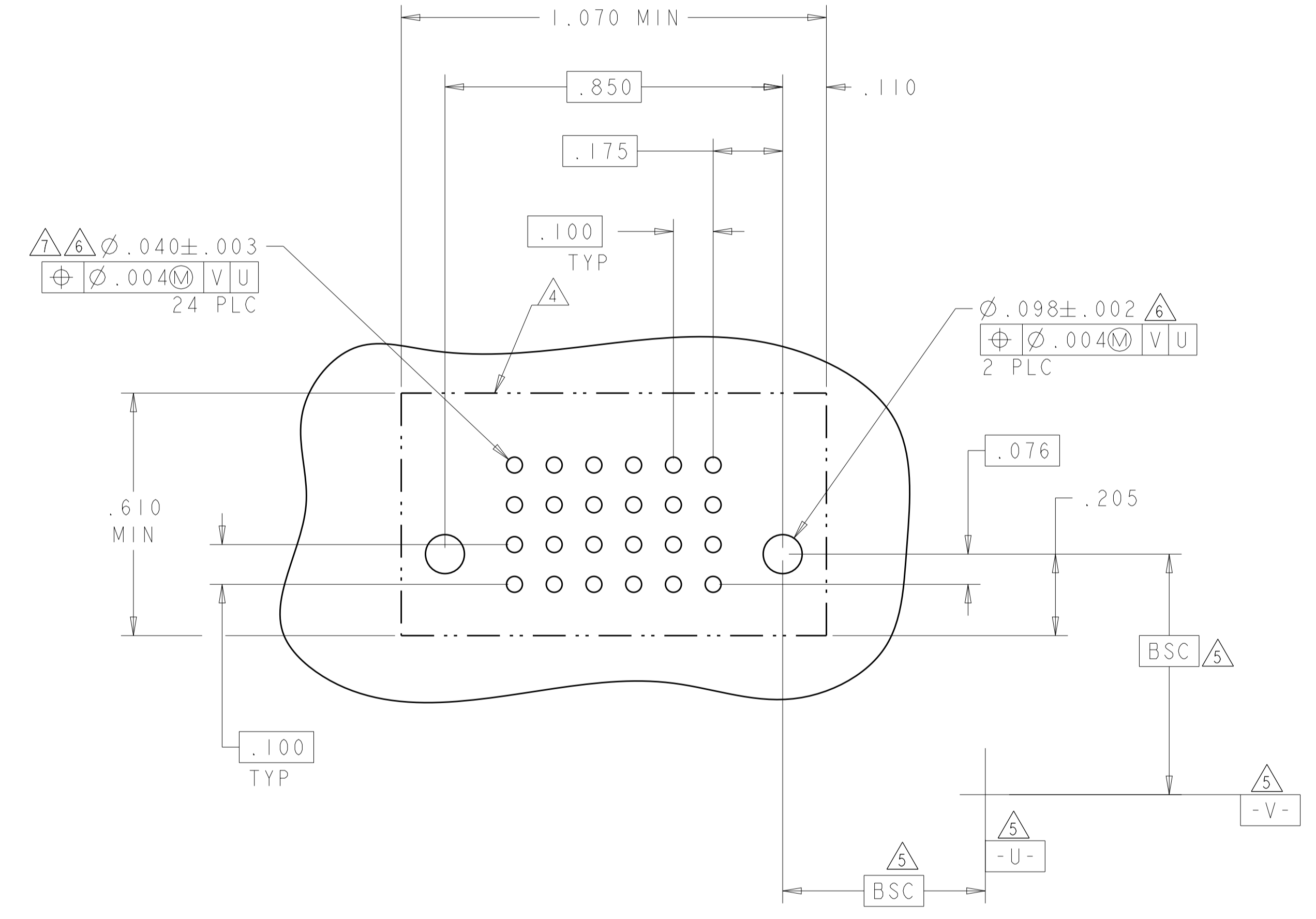
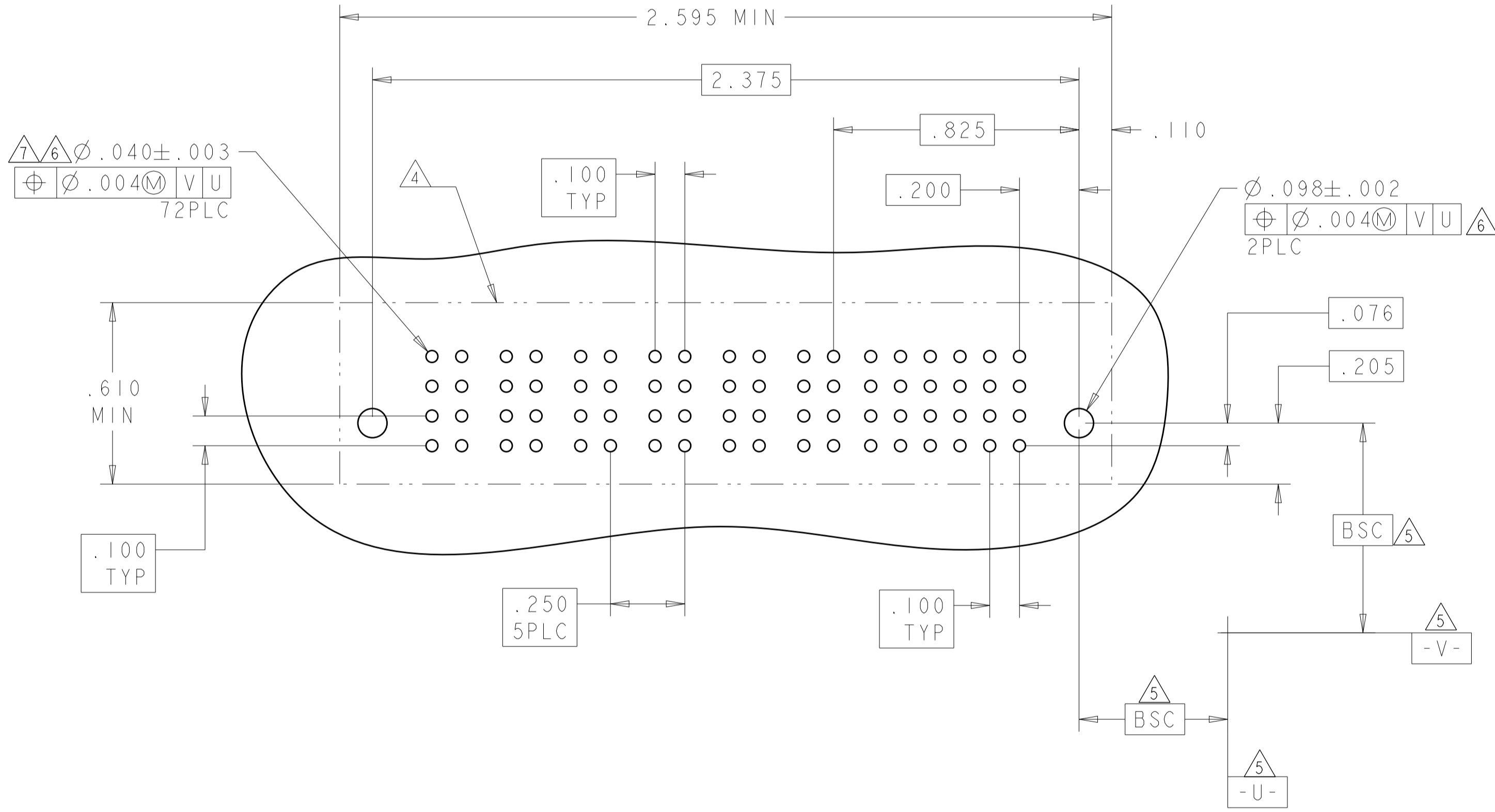
SIZE: A1, CAGE CODE: 6450861, DRAWING NO: 100779, SCALE: 4:1, SHEET 2 OF 11, REV 66

CUSTOMER DRAWING

LOC	DIST	REVISIONS					
		P	LTN	DESCRIPTION	DATE	DWN	APVD
ES	00	-	-	SEE SHEET 1	-	-	-

PART NUMBER	ROWS	POWER						SIGNAL						
		P6	P5	P4	P3	P2	P1	6	5	4	3	2	1	
6450861-3	D C B A	GS	GS	GS	GS	GS	GS	AP	AP	AP	AP	AP	AP	
								AP	AP	AP	AP	AP	AP	AP
								AP	AP	AP	AP	AP	AP	AP
24S + 6P		HD											HD	

PART NUMBER	ROWS	SIGNAL					
		6	5	4	3	2	1
6450861-1	D C B A	AP	AP	AP	AP	AP	AP
		AP	AP	AP	AP	AP	AP
		AP	AP	AP	AP	AP	AP
		AP	AP	AP	AP	AP	AP
24S		HD					HD



CODE	CONTACT TABLE
HS	STD POWER PRESS FIT CONTACT .165"
BP	SIGNAL PRESS FIT CONTACT .165"
AP	SIGNAL PRESS FIT CONTACT .135"
GP	MFBL POWER PRESS FIT CONTACT .135"
GS	STD POWER PRESS FIT CONTACT .135"
CODE	TAIL LENGTH

THIS DRAWING IS A CONTROLLED DOCUMENT. DWN: C. ZHOU, CHK: S. ZHAO, APVD: S. YAO

TE Connectivity

VERVE GABE REPER S&C MB ASSEMBLY WITH HS FOR TO LOUDEDSE, PRESSS FRITT MULTI-MELAM-HELEAM XLE

108-2292 APPLICATION SPEC

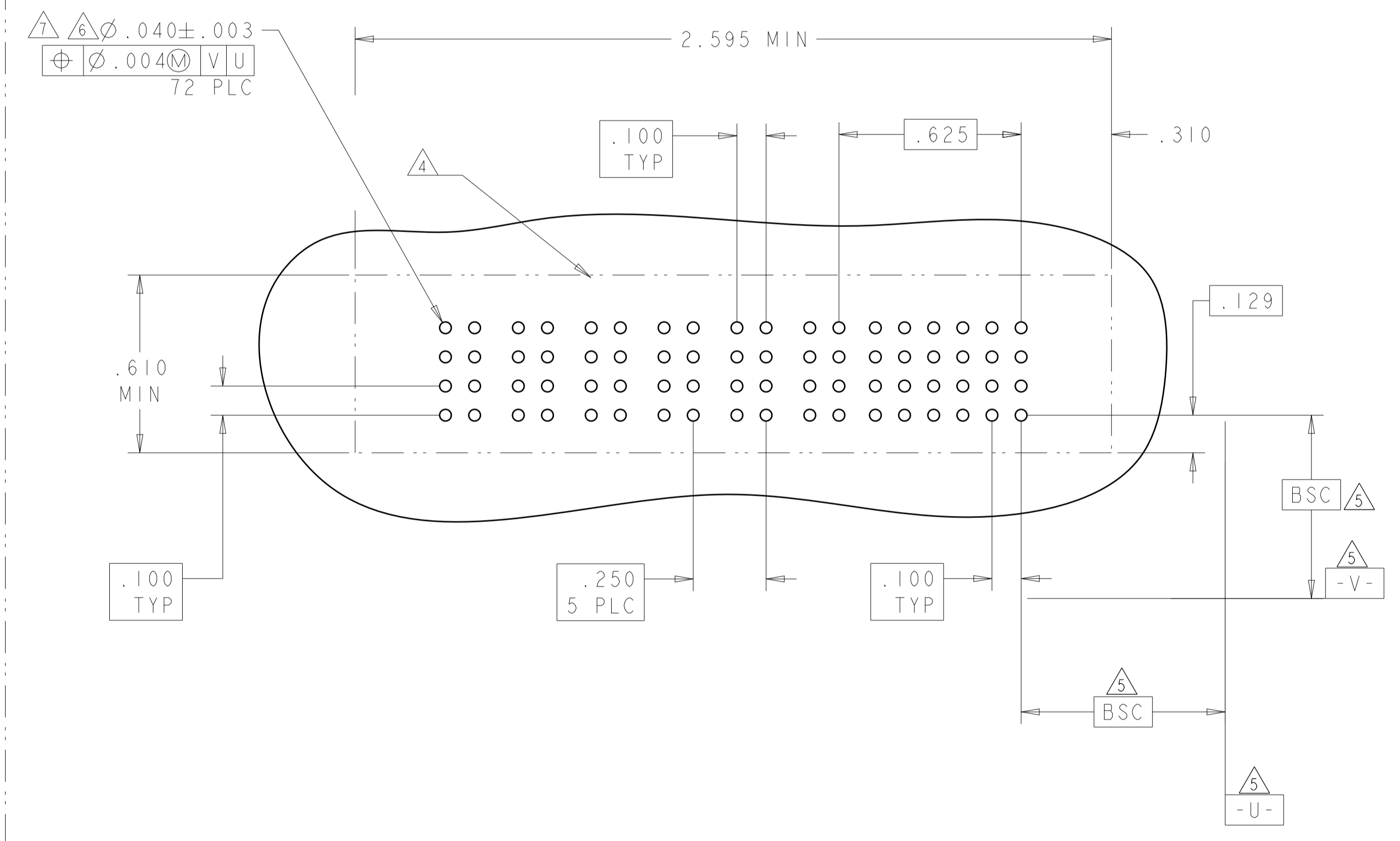
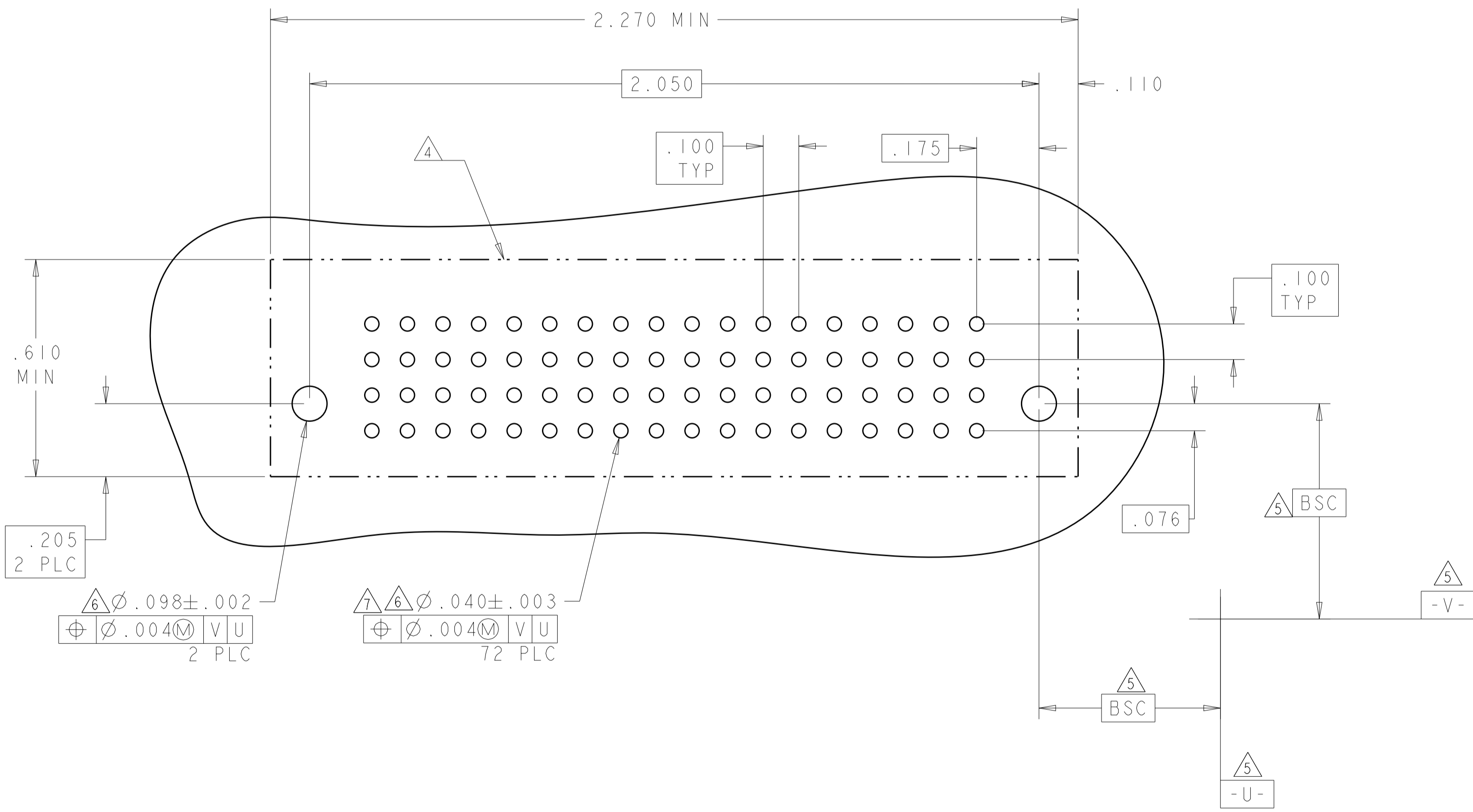
114-13058 WEIGHT

SCALE: 4:1 SHEET 3 OF 11 REV: G5

LOC	DIST	REVISIONS			
ES	00	REV	DATE	BY	APPV
		1			
		2			
		3			
		4			
		5			
		6			
		7			
		8			
		9			
		10			
		11			
		12			
		13			
		14			
		15			
		16			
		17			
		18			
		19			
		20			

PART NUMBER	ROWS	SIGNAL																	
		18	17	16	15	14	13	12	11	10	9	8	7	6	5	4	3	2	1
6450861-2	D C B A	AP	AP	AP	AP	AP	AP	AP	AP	AP	AP	AP	AP	AP	AP	AP	AP	AP	AP
		AP	AP	AP	AP	AP	AP	AP	AP	AP	AP	AP	AP	AP	AP	AP	AP	AP	AP
		AP	AP	AP	AP	AP	AP	AP	AP	AP	AP	AP	AP	AP	AP	AP	AP	AP	AP
		AP	AP	AP	AP	AP	AP	AP	AP	AP	AP	AP	AP	AP	AP	AP	AP	AP	AP
72S																			

PART NUMBER	ROWS	POWER						SIGNAL					
		P6	P5	P4	P3	P2	P1	6	5	4	3	2	1
6450861-4	D C B A	GS	GS	GS	GS	GS	GS	AP	AP	AP	AP	AP	AP
		GS	GS	GS	GS	GS	GS	AP	AP	AP	AP	AP	AP
		GS	GS	GS	GS	GS	GS	AP	AP	AP	AP	AP	AP
		GS	GS	GS	GS	GS	GS	AP	AP	AP	AP	AP	AP
24S + 6P													



THIS DRAWING IS A CONTROLLED DOCUMENT.

DIMENSIONS: INCHES	TOLERANCES UNLESS OTHERWISE SPECIFIED: 0 PLC ±. 1 PLC ±.01 2 PLC ±.01 3 PLC ±.005 4 PLC ±.002 ANGLES ±2°	FINISH	FINISH
-----------------------	--	--------	--------

OWN: C. ZHOU	CHK: S. ZHAO	APVD: S. YAO
PRODUCT SPEC: 108-2292	APPLICATION SPEC: 114-13058	WEIGHT: -
CUSTOMER DRAWING		

STE TE Connectivity

VERVE GABE REVERSE SMD ASSEMBLY WITH HS FOR TIG WELDING, PRESSURE FIT MULTIPLE LAYER XLE

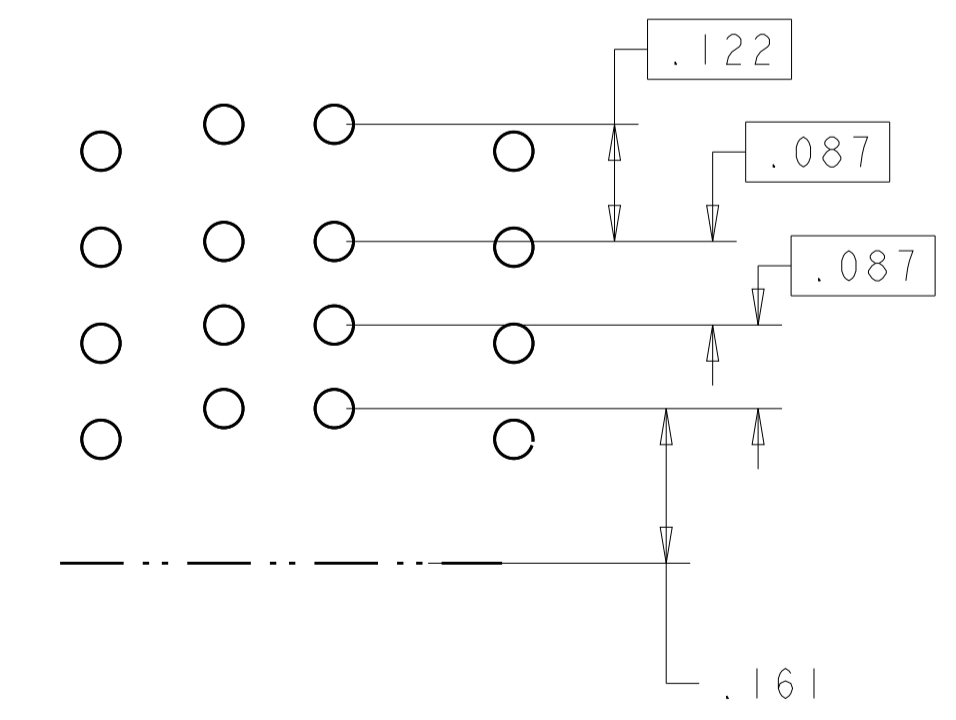
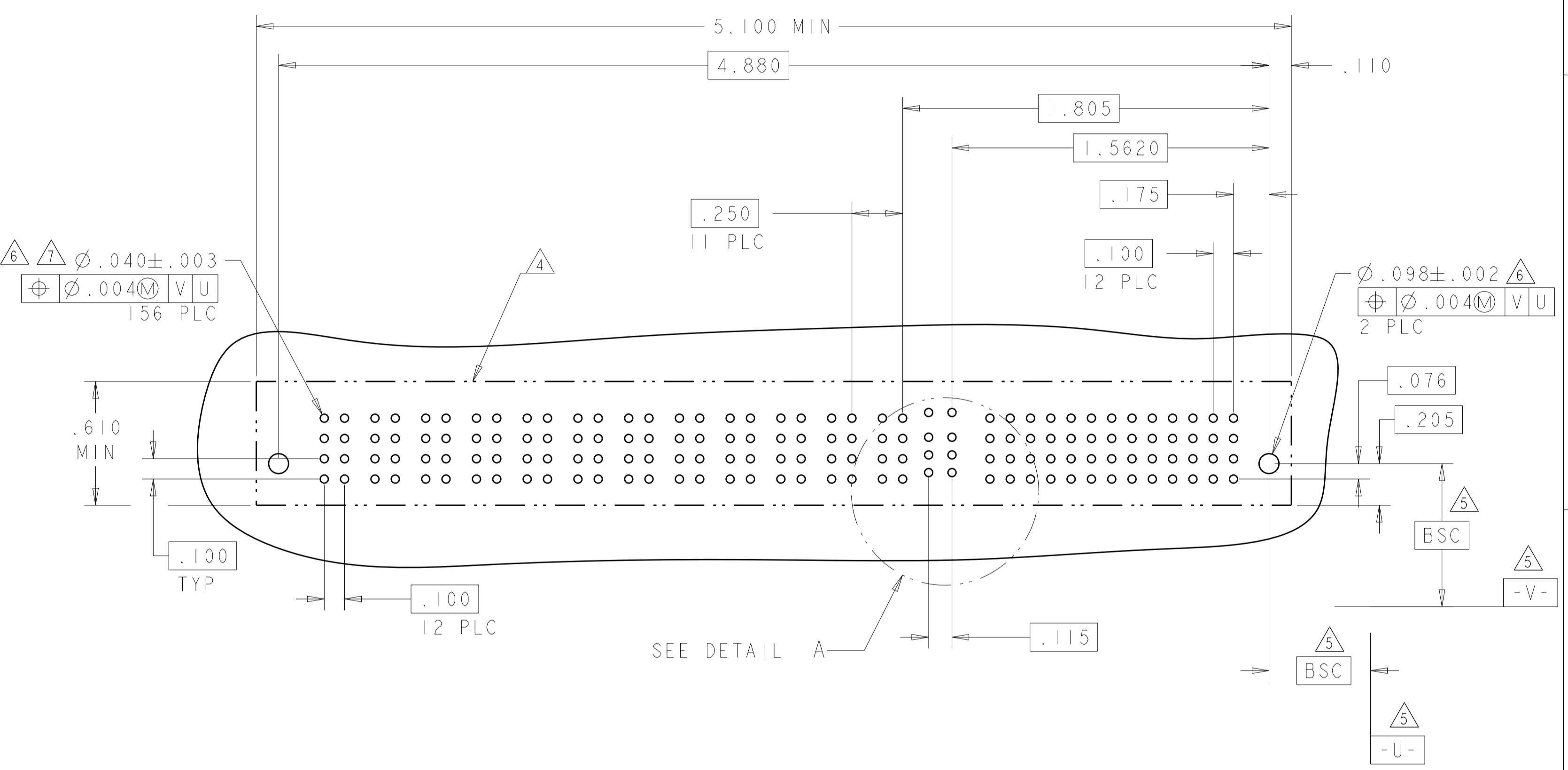
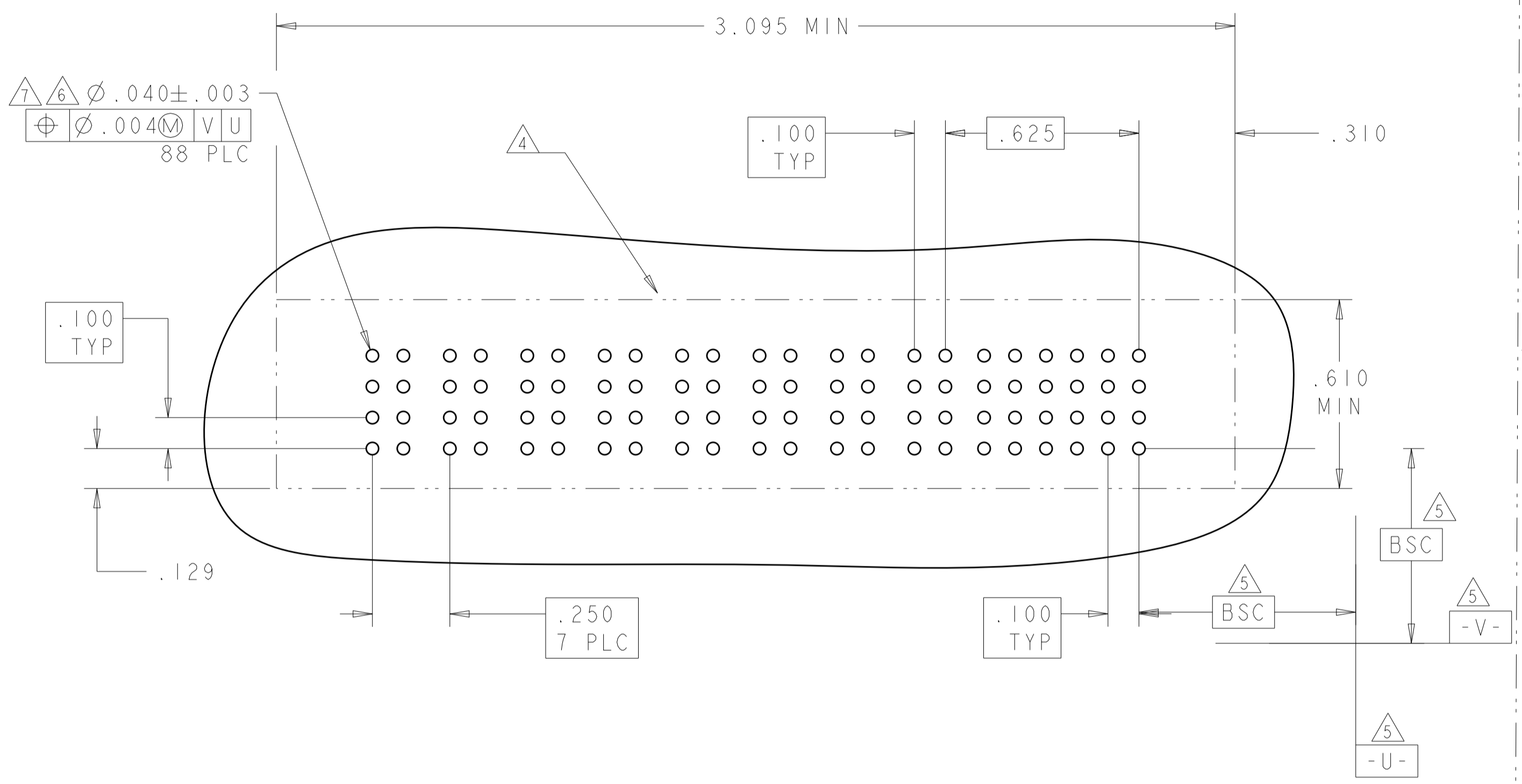
SIZE: A1 CAGE CODE: 114-13058 DRAWING NO: 6450861

SCALE: 4:1 SHEET 4 OF 11 REV: 66

LOC	DIST	REVISIONS			
P	LTN	DESCRIPTION	DATE	DMN	APVD
-	-	SEE SHEET 1	-	-	-

PART NUMBER	ROWS	POWER								SIGNAL					
		P8	P7	P6	P5	P4	P3	P2	P1	6	5	4	3	2	1
6450861-5	D C B A	GS	GS	GS	GS	GS	GS	GS	GS	AP	AP	AP	AP	AP	AP
		GS	GS	GS	GS	GS	GS	GS	GS	AP	AP	AP	AP	AP	AP
		GS	GS	GS	GS	GS	GS	GS	GS	AP	AP	AP	AP	AP	AP
24S + 8P															

PART NUMBER	ROWS	POWER												SIGNAL															
		P12	P11	P10	P9	P8	P7	P6	P5	P4	P3	P2	P1	LP2	LPI	13	12	11	10	9	8	7	6	5	4	3	2	1	
6450861-6	D C B A	GS	GS	GS	GS	GS	GS	GS	GS	GS	GS	GS	GS	GS	LSI	LSI	AP	AP	AP	AP	AP	AP	AP	AP	AP	AP	AP	AP	AP
		GS	GS	GS	GS	GS	GS	GS	GS	GS	GS	GS	GS	GS	LSI	LSI	AP	AP	AP	AP	AP	AP	AP	AP	AP	AP	AP	AP	AP
		GS	GS	GS	GS	GS	GS	GS	GS	GS	GS	GS	GS	GS	LSI	LSI	AP	AP	AP	AP	AP	AP	AP	AP	AP	AP	AP	AP	AP
52S + 2LP + 12P																													



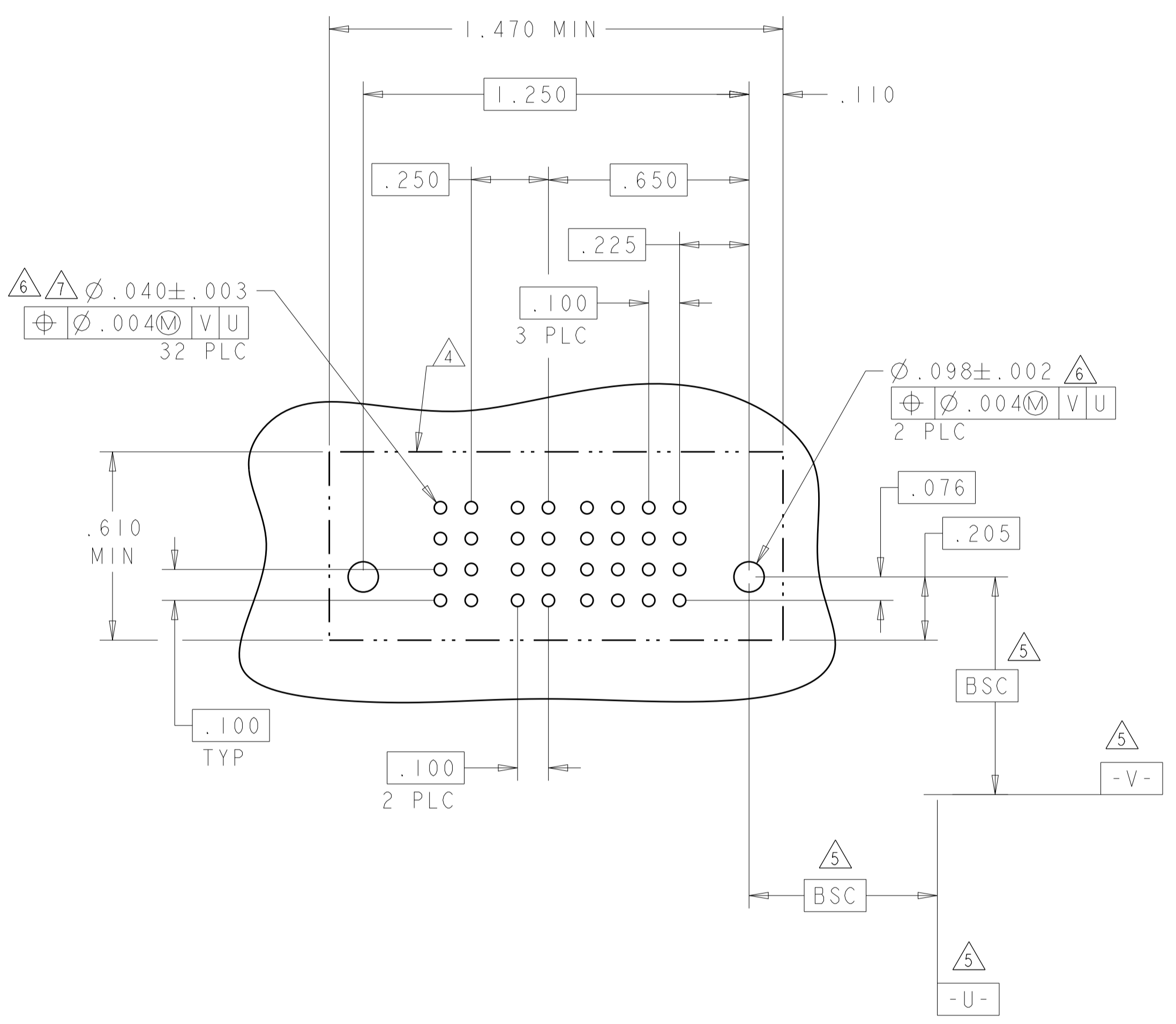
DETAIL A
SCALE 5:1

THIS DRAWING IS A CONTROLLED DOCUMENT.		DMN C. ZHOU	88MNR2008	STE TE Connectivity
DIMENSIONS: INCHES		CHK S. ZHAO	88MNR2008	
TOLERANCES UNLESS OTHERWISE SPECIFIED:		APVD S. YAO		NAME VERVIEWER REVERSE ASSEMBLY
0 PLC ±.01		PRODUCT SPEC		W/ WITH IS FOR TO LOUDEDSE, PRESSS FRIT
1 PLC ±.01		APPLICATION SPEC		MULTI-MELAM-MELAM XLE
2 PLC ±.01		SIZE	114-13058	RESTRICTED TO
3 PLC ±.005		SCALE	A100779C=6450861	5 OF 11
4 PLC ±.002		WEIGHT		REV 66
ANGLES ±.020		CUSTOMER DRAWING		
FINISH		SCALE	4:1	

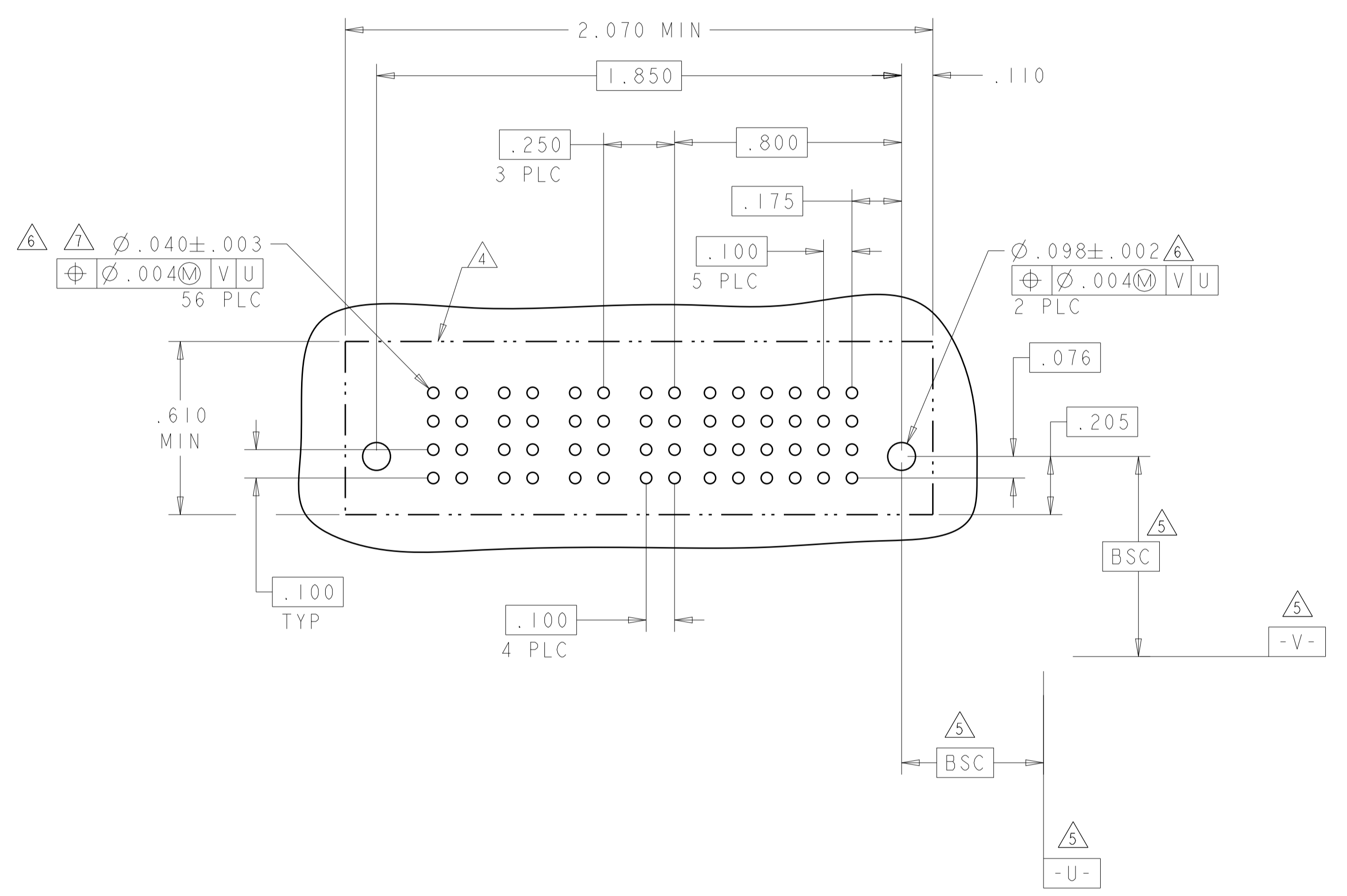
LOC	DIST	REVISIONS			
P	LTH	DESCRIPTION	DATE	DMN	APVD
ES	00	SEE SHEET 1			

PART NUMBER	ROWS	POWER		SIGNAL			
		P2	P1	4	3	2	1
6450861-8	D C B A	GS	GS	AP	AP	AP	AP
				AP	AP	AP	AP
				AP	AP	AP	AP
				AP	AP	AP	AP
16S + 2P		HD		HD			

PART NUMBER	ROWS	POWER				SIGNAL					
		P4	P3	P2	P1	6	5	4	3	2	1
6450861-9	D C B A	GP	GP	GP	GP	AP	AP	AP	AP	AP	AP
						AP	AP	AP	AP	AP	AP
						AP	AP	AP	AP	AP	AP
						AP	AP	AP	AP	AP	AP
24S + 4P		HD		HD							



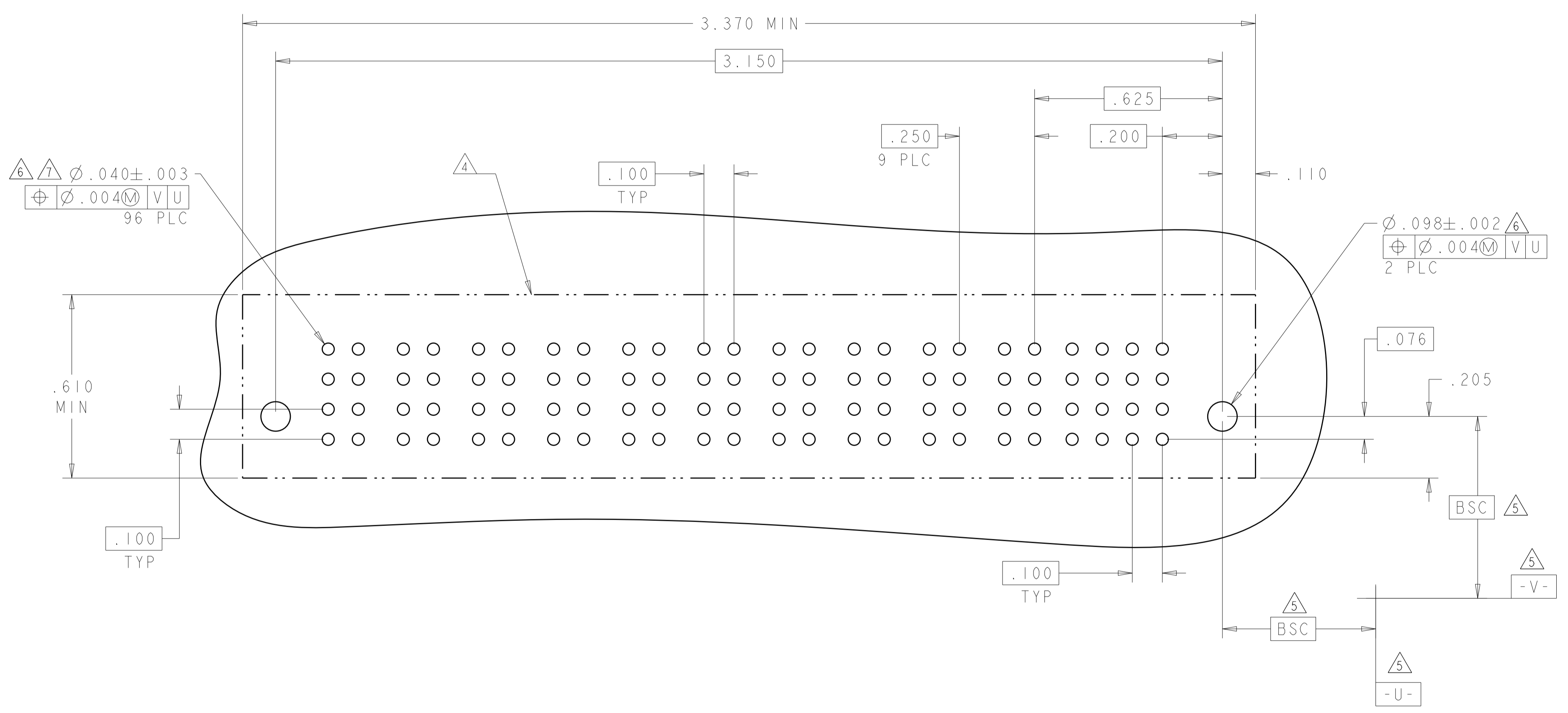
(F)



THIS DRAWING IS A CONTROLLED DOCUMENT.		DMN: C.ZHOU CHK: S.ZHAO	808082008	STE TE Connectivity
DIMENSIONS: INCHES		APVD: S.YAO	NAME: VERVIEWBAREBERSSEMBASSEMBLY	
TOLERANCES UNLESS OTHERWISE SPECIFIED:		PRODUCT SPEC: 108-2292	APPLICATION SPEC: 114-13058	RESTRICTED TO: -
0 PLC ± 1 PLC ±.01 2 PLC ±.01 3 PLC ±.005 4 PLC ±.002 ANGLES ±.2° FINISH: -		WEIGHT: -	SIZE: A1	SCALE: 4:1
MATERIAL: -		CAGE CODE: 114-13058	DRAWING NO: 6450861	SHEET 6 OF 11
CUSTOMER DRAWING		REV: 66		

LOC	DIST	REVISIONS			
P	LTN	DESCRIPTION	DATE	DMN	APVD
ES	00	SEE SHEET 1			

PART NUMBER	ROWS	POWER										SIGNAL					
		P10	P9	P8	P7	P6	P5	P4	P3	P2	P1	4	3	2	1		
I-6450861-1	D C B A	GS	GS	GS	GS	GS	GS	GS	GS	GS	GS	AP	AP	AP	AP		
		GS	GS	GS	GS	GS	GS	GS	GS	GS	GS	AP	AP	AP	AP		
		GS	GS	GS	GS	GS	GS	GS	GS	GS	GS	AP	AP	AP	AP		
		GS	GS	GS	GS	GS	GS	GS	GS	GS	GS	AP	AP	AP	AP		
16S + 10P																	

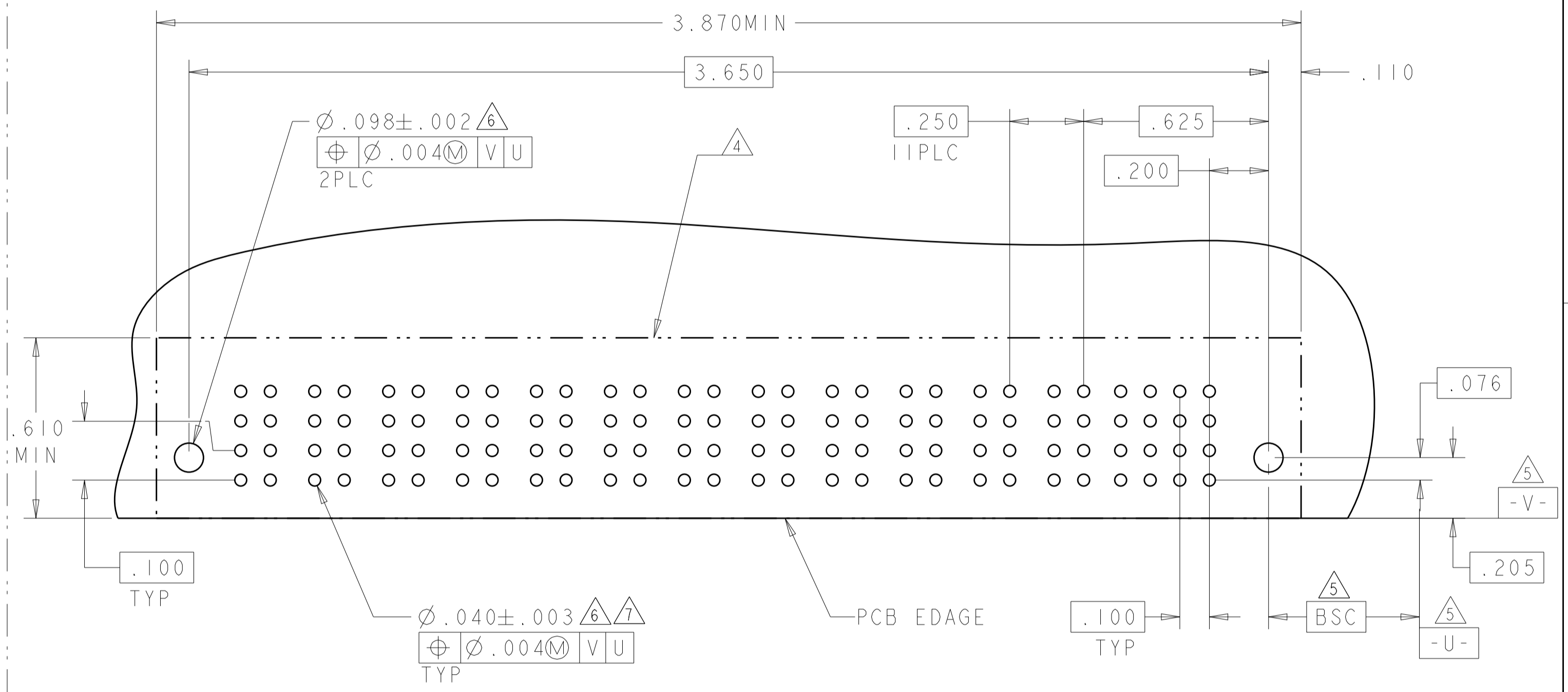
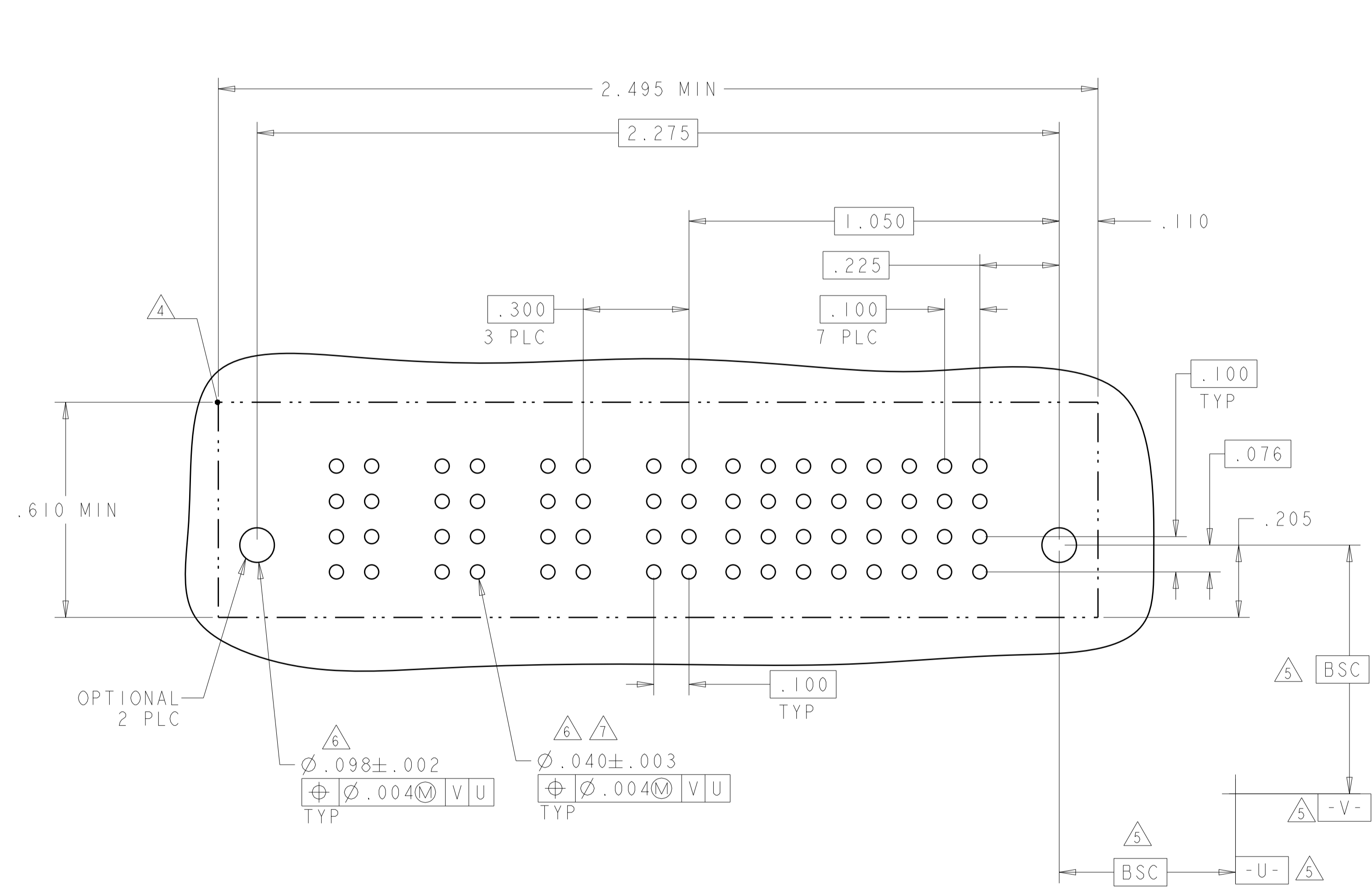


THIS DRAWING IS A CONTROLLED DOCUMENT.		DMN: C.ZHOU	88MBN2008	STE TE Connectivity
DIMENSIONS: INCHES		CHK: S.ZHAO	88MBN2008	
TOLERANCES UNLESS OTHERWISE SPECIFIED:		APVD: S.YAO		NAME: VERVIEWBAREBERSSEMBLY
0 PLC	±.	PRODUCT SPEC		W/TH HSK FOR TIG WELDING, PRESSURE FIT
1 PLC	±.01	108-2292		MULTI-MATERIAL XLE
2 PLC	±.05	APPLICATION SPEC		SIZE: 114-13058
3 PLC	±.0020	114-13058		WEIGHT: -
4 PLC	±.0020			SCALE: 4:1
ANGLES	±.2°			SHEET 7 OF 11
FINISH				REV: 66
MATERIAL: -				CUSTOMER DRAWING

LOC	DIST	REVISIONS			
ES	00	REV	DATE	BY	APPV
		1	SEE SHEET 1		

PART NUMBER	ROWS	POWER				SIGNAL								
		P4	P3	P2	P1	8	7	6	5	4	3	2	1	
1-6450861-2	D C B A	GP	GP	GP	GP	AP	AP	AP	AP	AP	AP	AP	AP	AP
		GP	GP	GP	GP	AP	AP	AP	AP	AP	AP	AP	AP	
		GP	GP	GP	GP	AP	AP	AP	AP	AP	AP	AP	AP	
		GP	GP	GP	GP	AP	AP	AP	AP	AP	AP	AP	AP	
32S + 4ACP														

PART NUMBER	ROWS	POWER												SIGNAL				
		P12	P11	P10	P9	P8	P7	P6	P5	P4	P3	P2	P1	4	3	2	1	
1-6450861-3	D C B A	GS	GS	GS	GS	GS	GS	GS	GS	GS	GS	GS	GS	GS	GS	GS	GS	GS
		GS	GS	GS	GS	GS	GS	GS	GS	GS	GS	GS	GS	GS	GS	GS	GS	GS
		GS	GS	GS	GS	GS	GS	GS	GS	GS	GS	GS	GS	GS	GS	GS	GS	GS
		GS	GS	GS	GS	GS	GS	GS	GS	GS	GS	GS	GS	GS	GS	GS	GS	GS
16S + 12P																		



RECOMMENDED PCB LAYOUT

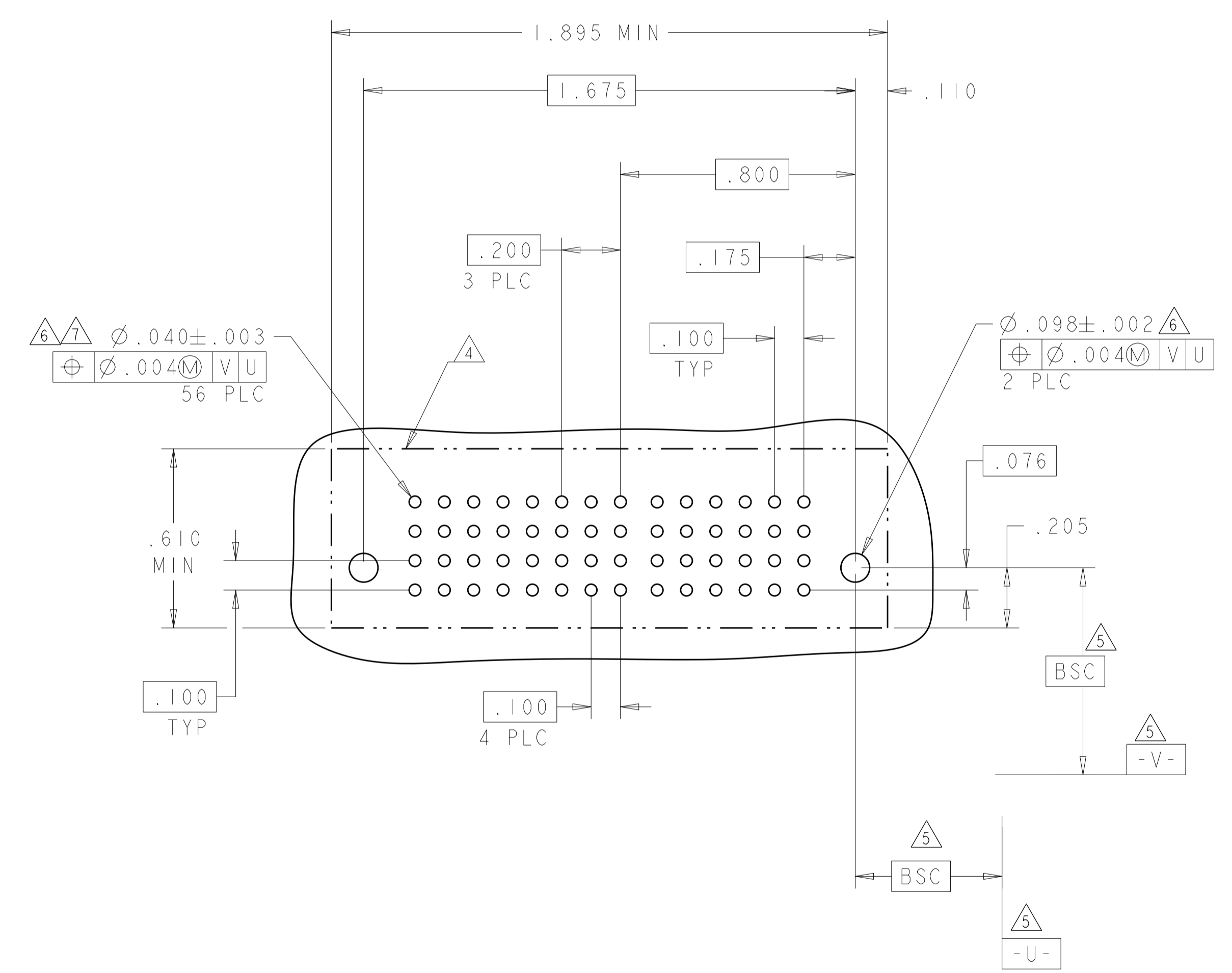
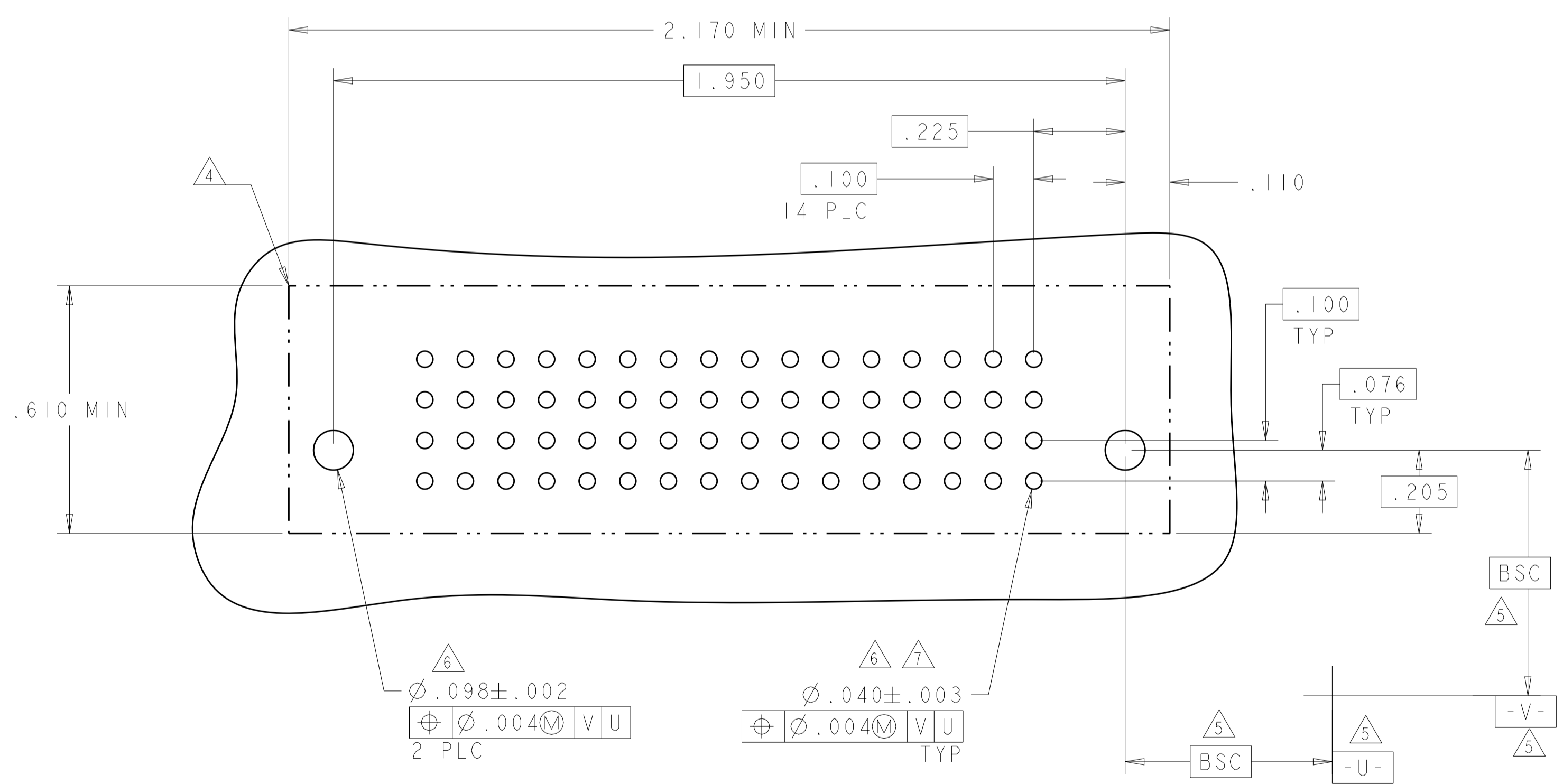
THIS DRAWING IS A CONTROLLED DOCUMENT.		DWN C. ZHOU 20JUN2012	NAME	TE Connectivity VERTICAL RECEPTACLE ASSEMBLY WITH SHORT GUIDE, PRESS FIT MULTI-BEAM XLE
DIMENSIONS: INCHES		CHK S. ZHAO 20JUN2012	PRODUCT SPEC 108-2292	
TOLERANCES UNLESS OTHERWISE SPECIFIED:		APVD	APPLICATION SPEC 114-13251	RESTRICTED TO
0 PLC ±. 1 PLC ±. 2 PLC ±. 3 PLC ±.005 4 PLC ±.0020 ANGLES ±.020°		WEIGHT	SCALE	SHEET 8 OF 11
MATERIAL		FINISH	Customer Drawing	REV G5

LOC	DIST	REVISIONS			
P	LTN	DESCRIPTION	DATE	DMN	APVD
ES	00	SEE SHEET 1			

F6

PART NUMBER	ROWS	SIGNAL															
		16	15	14	13	12	11	10	9	8	7	6	5	4	3	2	1
1-6450861-4	D	BP	BP	BP	BP	BP	BP	BP	BP	BP	BP	BP	BP	BP	BP	BP	
	C	BP	BP	BP	BP	BP	BP	BP	BP	BP	BP	BP	BP	BP	BP	BP	
	B	BP	BP	BP	BP	BP	BP	BP	BP	BP	BP	BP	BP	BP	BP	BP	
	A	BP	BP	BP	BP	BP	BP	BP	BP	BP	BP	BP	BP	BP	BP	BP	
64S		HD															HD

PART NUMBER	ROWS	POWER				SIGNAL					
		P4	P3	P2	P1	6	5	4	3	2	1
1-6450861-5	D					AP	AP	AP	AP	AP	AP
	C					AP	AP	AP	AP	AP	AP
	B	GS	GS	GS	GS	AP	AP	AP	AP	AP	AP
	A	HD				AP	AP	AP	AP	AP	AP
24S + 4P											



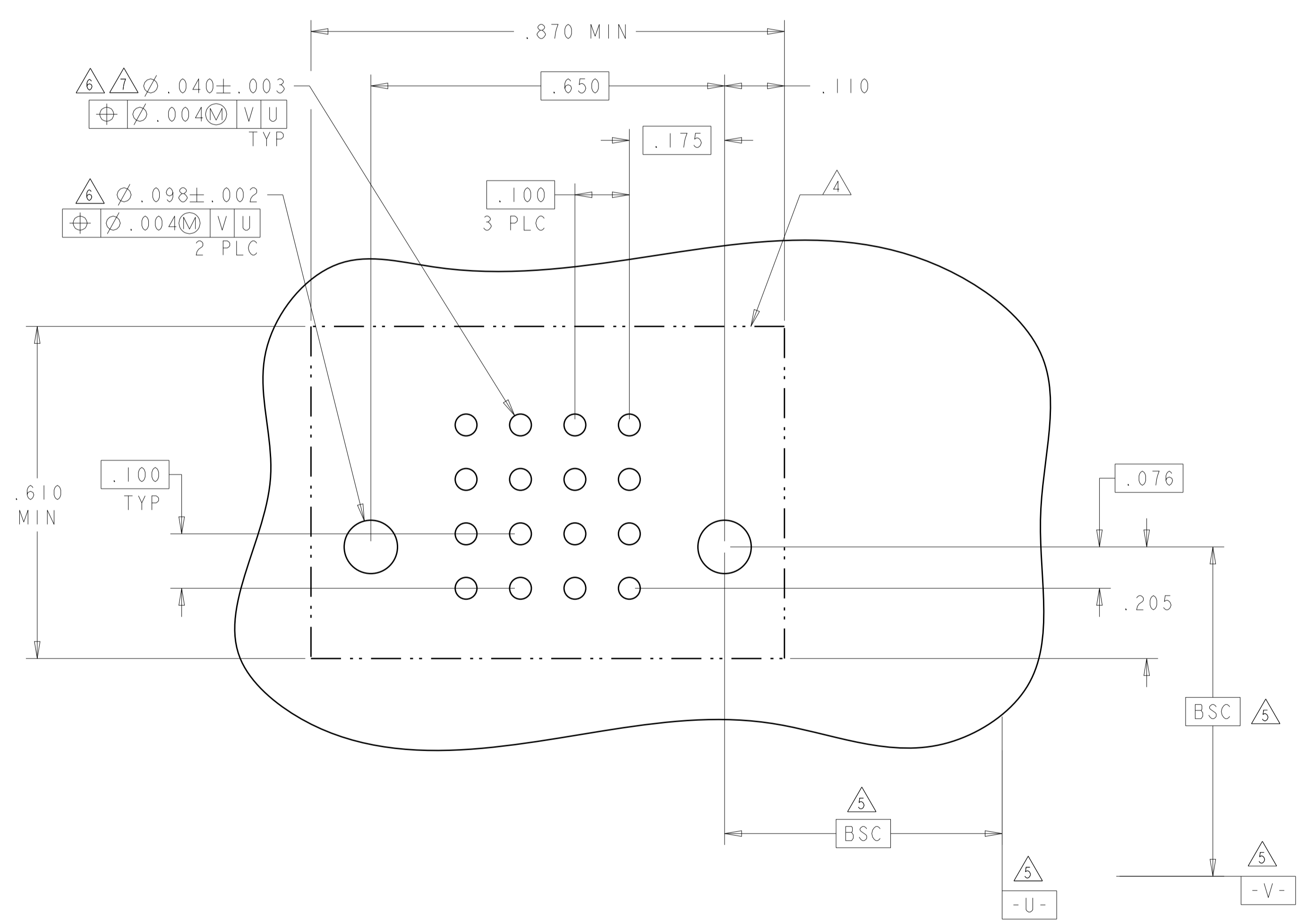
THIS DRAWING IS A CONTROLLED DOCUMENT.		DMN C. ZHOU CHK S. ZHAO	20JUN2012 20JUN2012	TE Connectivity
DIMENSIONS: INCHES	TOLERANCES UNLESS OTHERWISE SPECIFIED:	APVD	NAME	
0 PLC ± 1 PLC ± 2 PLC ± 3 PLC ±.005 4 PLC ±.0020 ANGLES ±.7° FINISH	PRODUCT SPEC 108-2292 APPLICATION SPEC 114-13251 WEIGHT	VERTICAL RECEPTACLE ASSEMBLY WITH SHORT GUIDE, PRESS FIT MULTI-BEAM XLE		
MATERIAL	Customer Drawing	SIZE A1	CAGE CODE 100779	DRAWING NO 6450861
		SCALE 1:1	SHEET 9	OF 11
		REV G5		

LOC		DIST		REVISIONS			
ES	00	P	LTN	DESCRIPTION	DATE	DMN	APVD
		-		SEE SHEET 1			

PART NUMBER	ROWS	SIGNAL			
		4	3	2	1
1-6450861-6	D	AP	AP	AP	AP
	C	AP	AP	AP	AP
	B	AP	AP	AP	AP
	A	AP	AP	AP	AP

16S

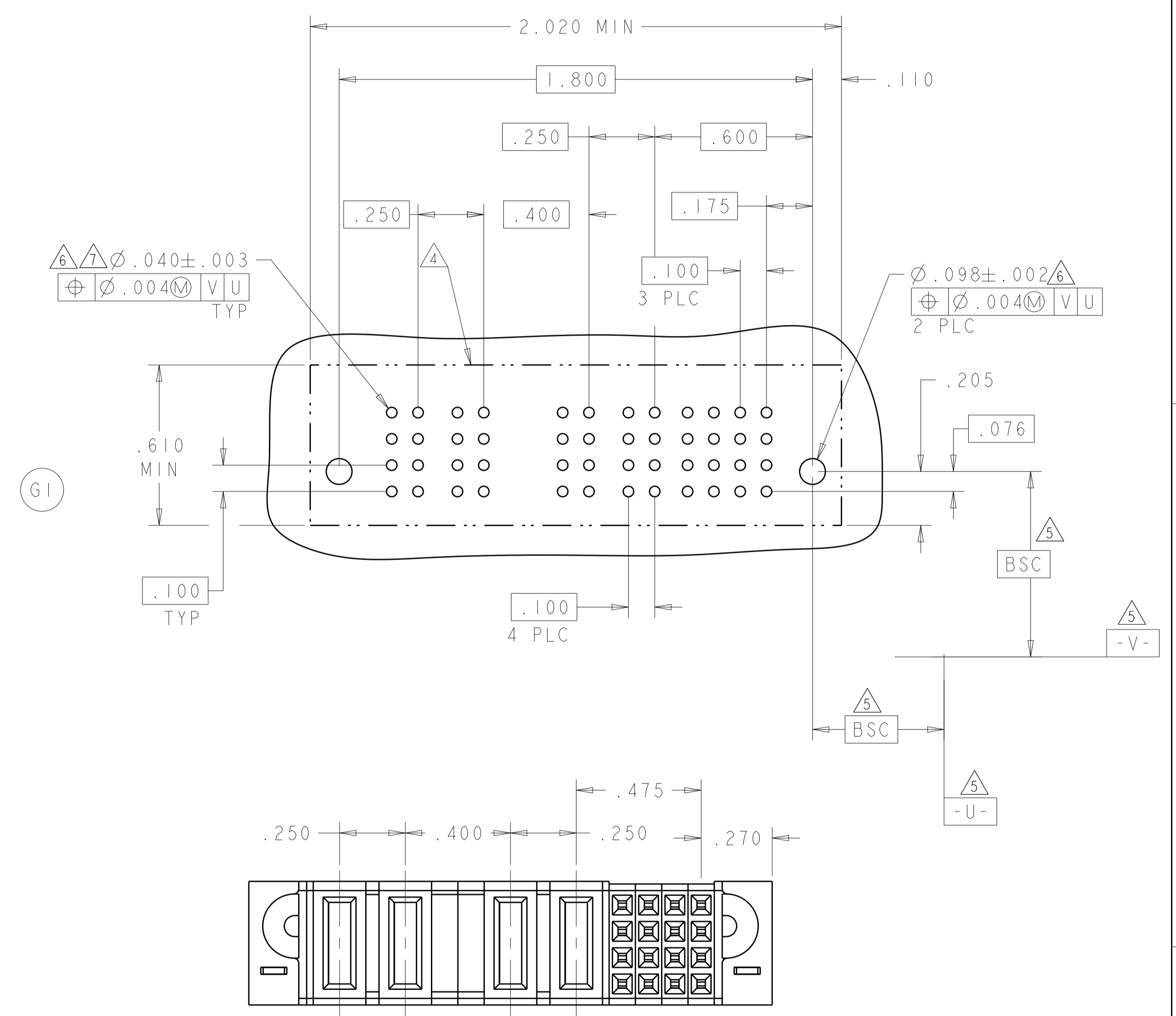
F9



PART NUMBER	ROWS	POWER					SIGNAL			
		P4	P3	-	P2	P1	4	3	2	1
1-6450861-7	D	VS	VS	-	VS	VS	P	P	P	P
	C	VS	VS	-	VS	VS	P	P	P	P
	B	VS	VS	-	VS	VS	P	P	P	P

16S + 4P

NO CONTACT LOADED



PART 1-6450861-7

HD	HOLD DOWN
P	SIGNAL PRESS FIT CONTACT .115"
VS	STD POWER PRESS FIT CONTACT .115"
CODE	TAIL LENGTH
CONTACT TABLE	

THIS DRAWING IS A CONTROLLED DOCUMENT. DWG: C. ZHOU 20JUN2012
 CHK: S. ZHAO 20JUN2012
 APVD: -

TE Connectivity

NAME: VERTICAL RECEPTACLE ASSEMBLY WITH SHORT GUIDE, PRESS FIT MULTI-BEAM XLE

PRODUCT SPEC: 108-2292
 APPLICATION SPEC: 114-13251

SIZE: A1 CAGE CODE: 6450861 DRAWING NO: 100779

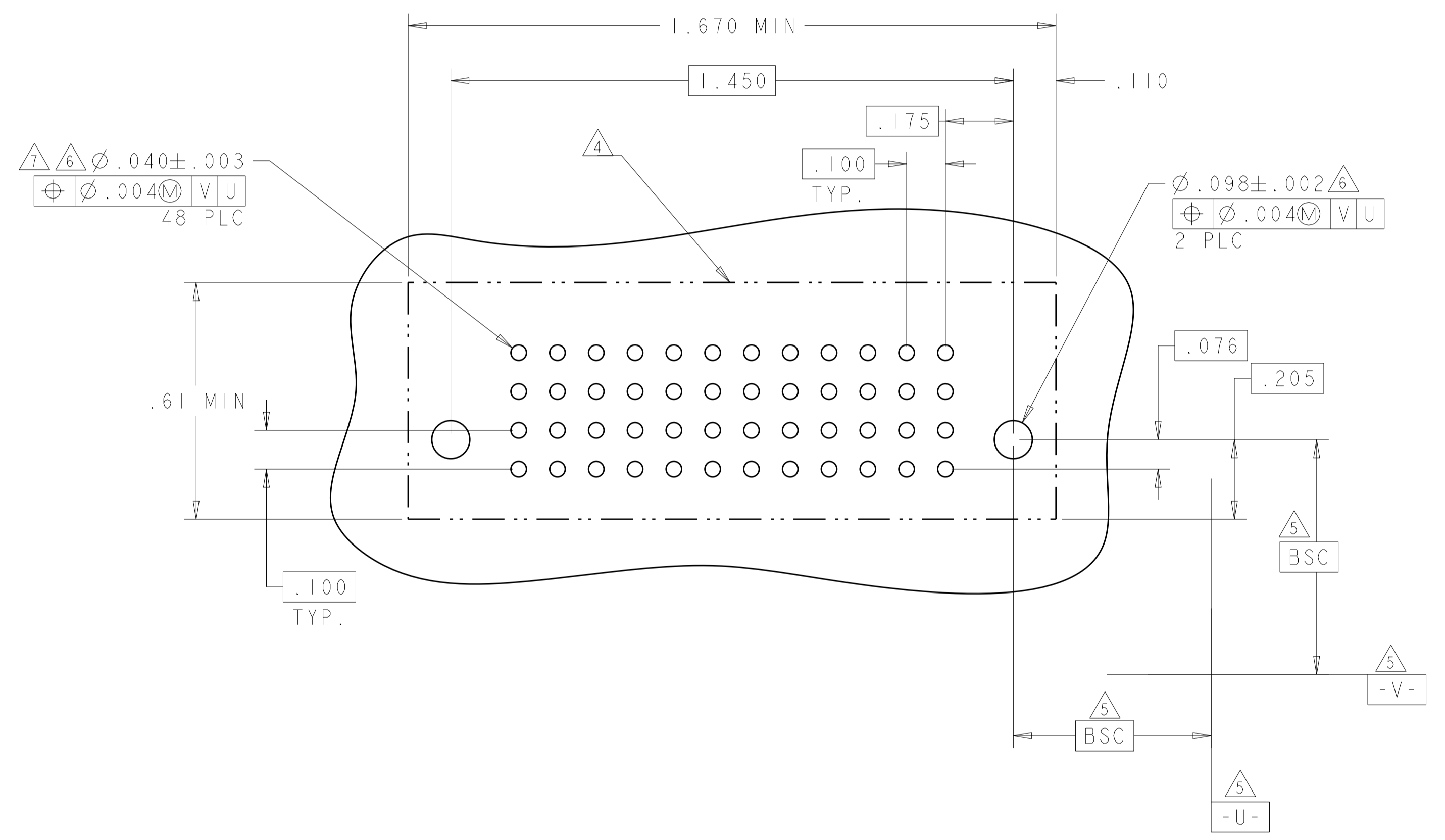
RESTRICTED TO: -

Customer Drawing SCALE: 1:1 SHEET 10 OF 11 REV: G5

LOC	DIST	REVISIONS			
P	LTN	DESCRIPTION	DATE	DMN	APVD
-	-	SEE SHEET 1	-	-	-

PART NUMBER	ROWS	SIGNAL											
		12	11	10	9	8	7	6	5	4	3	2	1
1-6450861-8	D	AP	AP	AP	AP	AP	AP	AP	AP	AP	AP	AP	AP
	C	AP	AP	AP	AP	AP	AP	AP	AP	AP	AP	AP	AP
	B	AP	AP	AP	AP	AP	AP	AP	AP	AP	AP	AP	AP
	A	AP	AP	AP	AP	AP	AP	AP	AP	AP	AP	AP	AP
48S		HD											HD

G5



THIS DRAWING IS A CONTROLLED DOCUMENT.		DMN C. ZHOU 20JUN2012	TE Connectivity	
DIMENSIONS: INCHES		CHK S. ZHAO 20JUN2012	NAME VERTICAL RECEPTACLE ASSEMBLY WITH SHORT GUIDE, PRESS FIT MULTI-BEAM XLE	
TOLERANCES UNLESS OTHERWISE SPECIFIED:		APVD	PRODUCT SPEC	
0 PLC ±		108-2292		
1 PLC ±		APPLICATION SPEC		
2 PLC ±		114-13251		
3 PLC ±.005		WEIGHT		
4 PLC ±.0020		Customer Drawing		
ANGLES *2°		SCALE 1:1 SHEET 11 OF 11 REV G5		
FINISH		SIZE CAGE CODE DRAWING NO A100779C=6450861		