



Chipsmall Limited consists of a professional team with an average of over 10 year of expertise in the distribution of electronic components. Based in Hongkong, we have already established firm and mutual-benefit business relationships with customers from,Europe,America and south Asia,supplying obsolete and hard-to-find components to meet their specific needs.

With the principle of "Quality Parts,Customers Priority,Honest Operation,and Considerate Service",our business mainly focus on the distribution of electronic components. Line cards we deal with include Microchip,ALPS,ROHM,Xilinx,Pulse,ON,Everlight and Freescale. Main products comprise IC,Modules,Potentiometer,IC Socket,Relay,Connector.Our parts cover such applications as commercial,industrial, and automotives areas.

We are looking forward to setting up business relationship with you and hope to provide you with the best service and solution. Let us make a better world for our industry!



Contact us

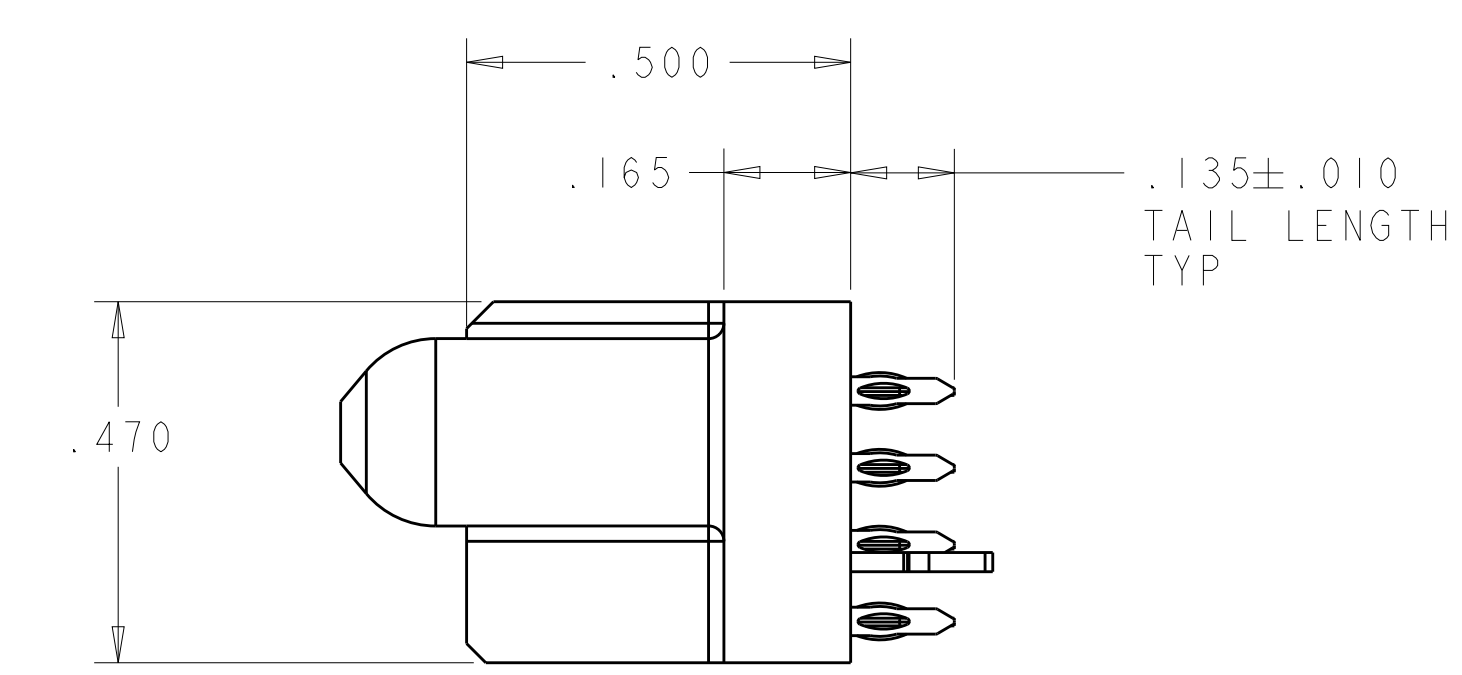
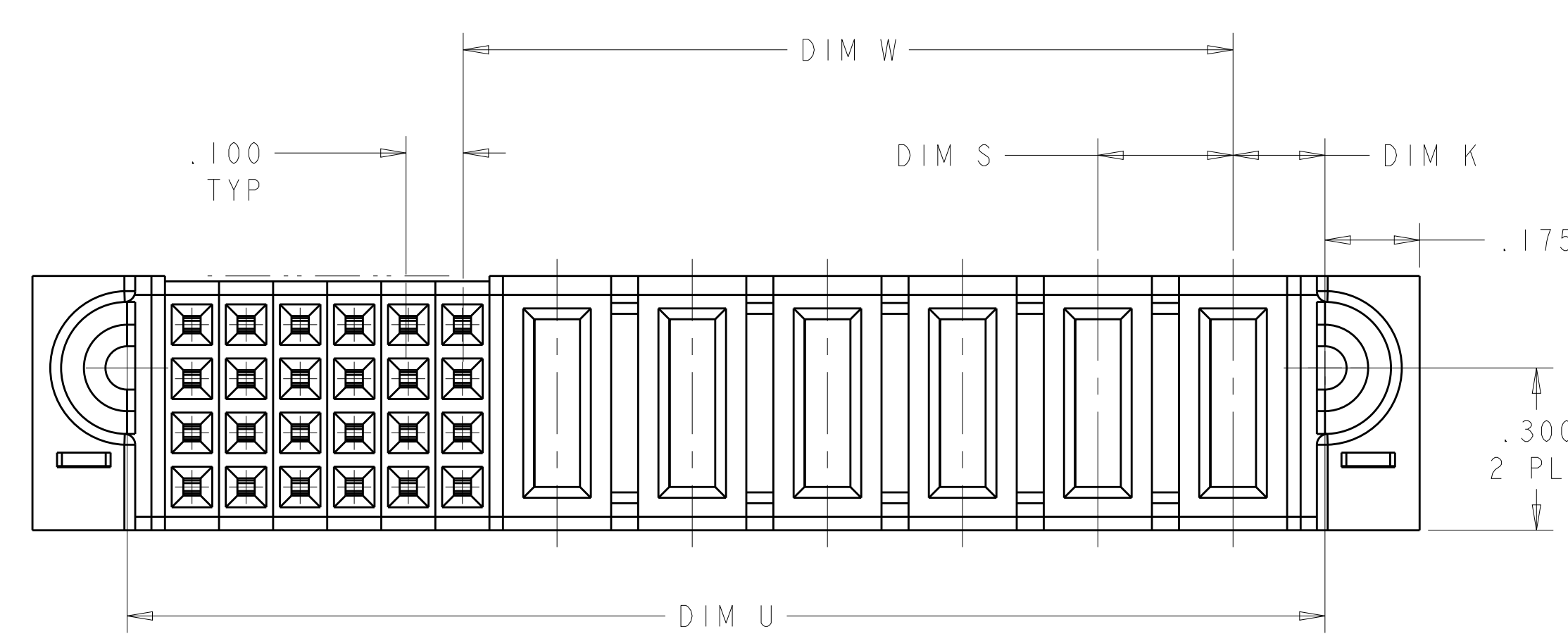
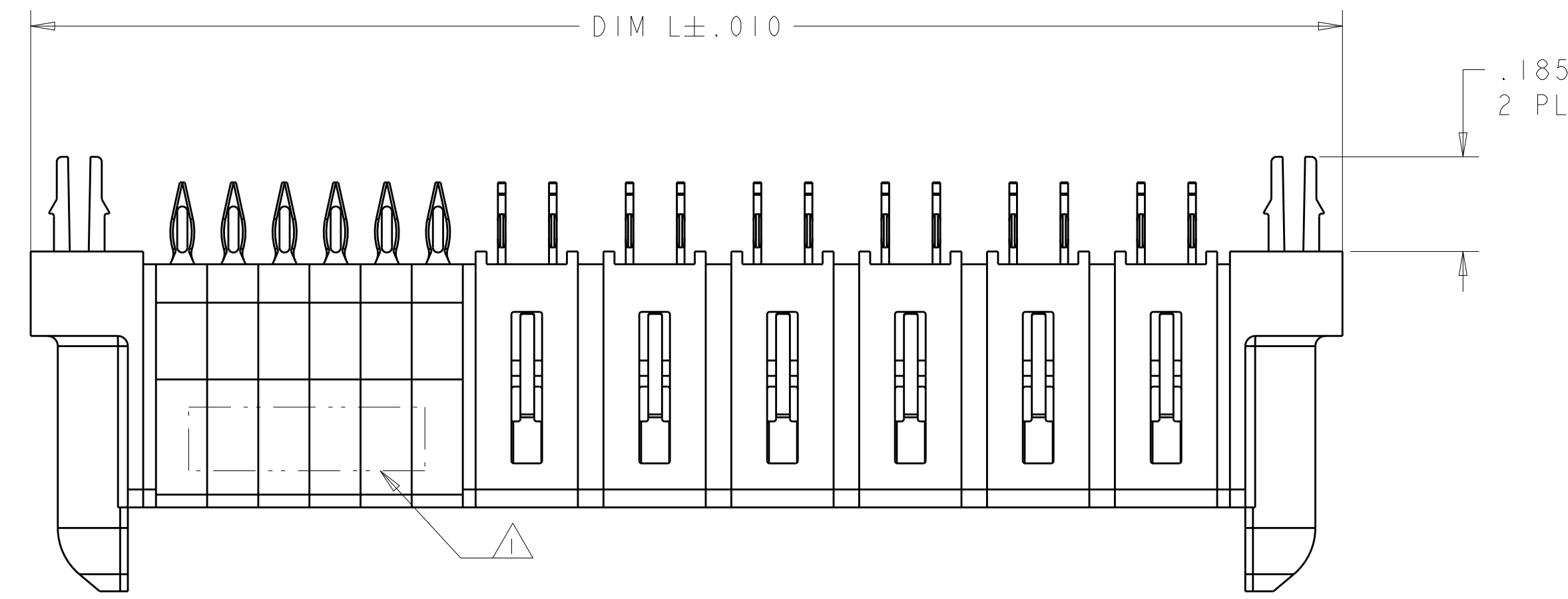
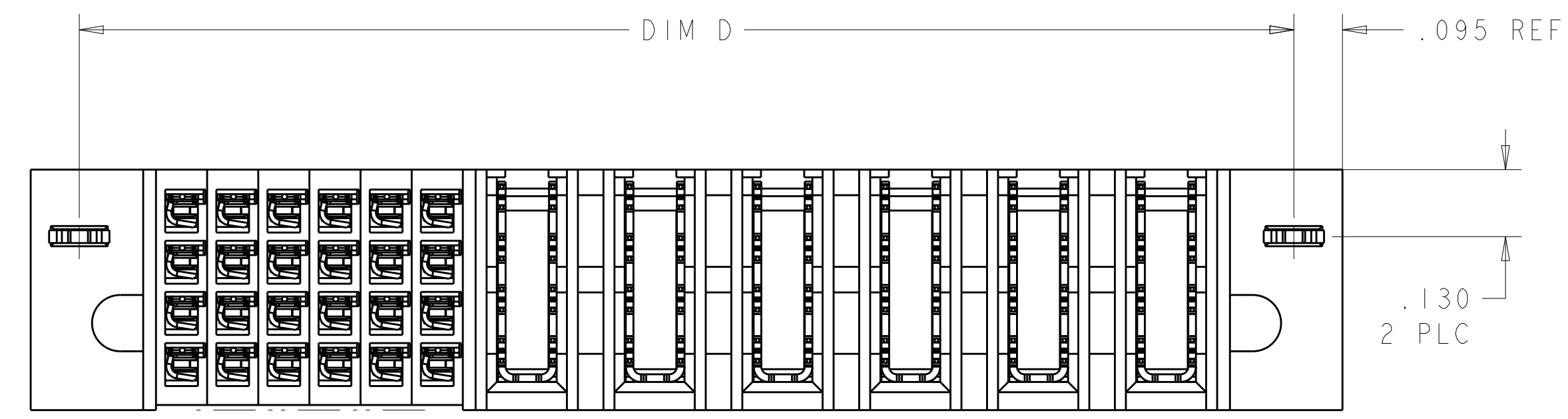
Tel: +86-755-8981 8866 Fax: +86-755-8427 6832

Email & Skype: info@chipsmall.com Web: www.chipsmall.com

Address: A1208, Overseas Decoration Building, #122 Zhenhua RD., Futian, Shenzhen, China



LOC		DIST		REVISIONS			
ES	00	P	LTN	DESCRIPTION	DATE	DMN	APVD
		D7		ADD NEW PART -24	20JAN2015	AY	SZ




- ① "AMP", PART NUMBER AND DATE CODE TO BE MARKED IN AREA SHOWN PARTS UNDER 2.00 LONG MAY BE MARKED ON BOTH SIDES;
- ② HOUSING - GLASS FILLED HIGH TEMP THERMO PLASTIC, UL94 V-0
 SIGNAL CONTACT - HIGH CONDUCTIVITY COPPER ALLOY
 POWER CONTACT - HIGH CONDUCTIVITY COPPER ALLOY
- ③ CONTACT PLATING:
 NOBLE METAL PLATING ON FUNCTIONAL AREA OF POWER AND SIGNAL CONTACTS.
- ④ MECHANICAL CONNECTOR KEEP OUT ZONE
- ⑤ DATUM AND BASIC DIMENSIONS ESTABLISHED BY CUSTOMER
- ⑥ PCB - ALL HOLE DIAMETERS ARE FINISHED HOLE SIZES
- ⑦ PCB - 0.0453 ±.0010 DRILLED HOLES PLATED WITH .0003 MIN Sn
 OVER .001 TO .003 Cu PLATING TO ACHIEVE A .040 ±.003 HOLE
- ⑧ THIS DIMENSION PLEASE REFER TO TABLE

THIS DRAWING IS A CONTROLLED DOCUMENT.		DMN S.ZHAO 18JUN2008	TE Connectivity
DIMENSIONS: INCHES		CHK S.ZHAO 18JUN2008	
TOLERANCES UNLESS OTHERWISE SPECIFIED:		APVD S.ZHAO 18JUN2008	
0 PLC ±.1 1 PLC ±.1 2 PLC ±.02 3 PLC ±.005 4 PLC ±.0020 ANGLES ±.7°		NAME: VERTICAL RECEPTACLE W/ P+S MULTI-BEAM XLE PRODUCT SPEC: 108-2292 APPLICATION SPEC: 114-13251 WEIGHT: - CUSTOMER DRAWING	
MATERIAL: ②	FINISH: ③	SIZE: A100779	CAGE CODE: C=6450862 SCALE: 2:1 SHEET: 1 OF 9 REV: D7

THIS DRAWING IS UNPUBLISHED. RELEASED FOR PUBLICATION 20
 © COPYRIGHT 20 BY - TE CONNECTIVITY ALL RIGHTS RESERVED.

LOC	DIST	REVISIONS					
ES	00	P	LTN	DESCRIPTION	DATE	DWN	APVD
		-		SEE SHEET 1		-	-

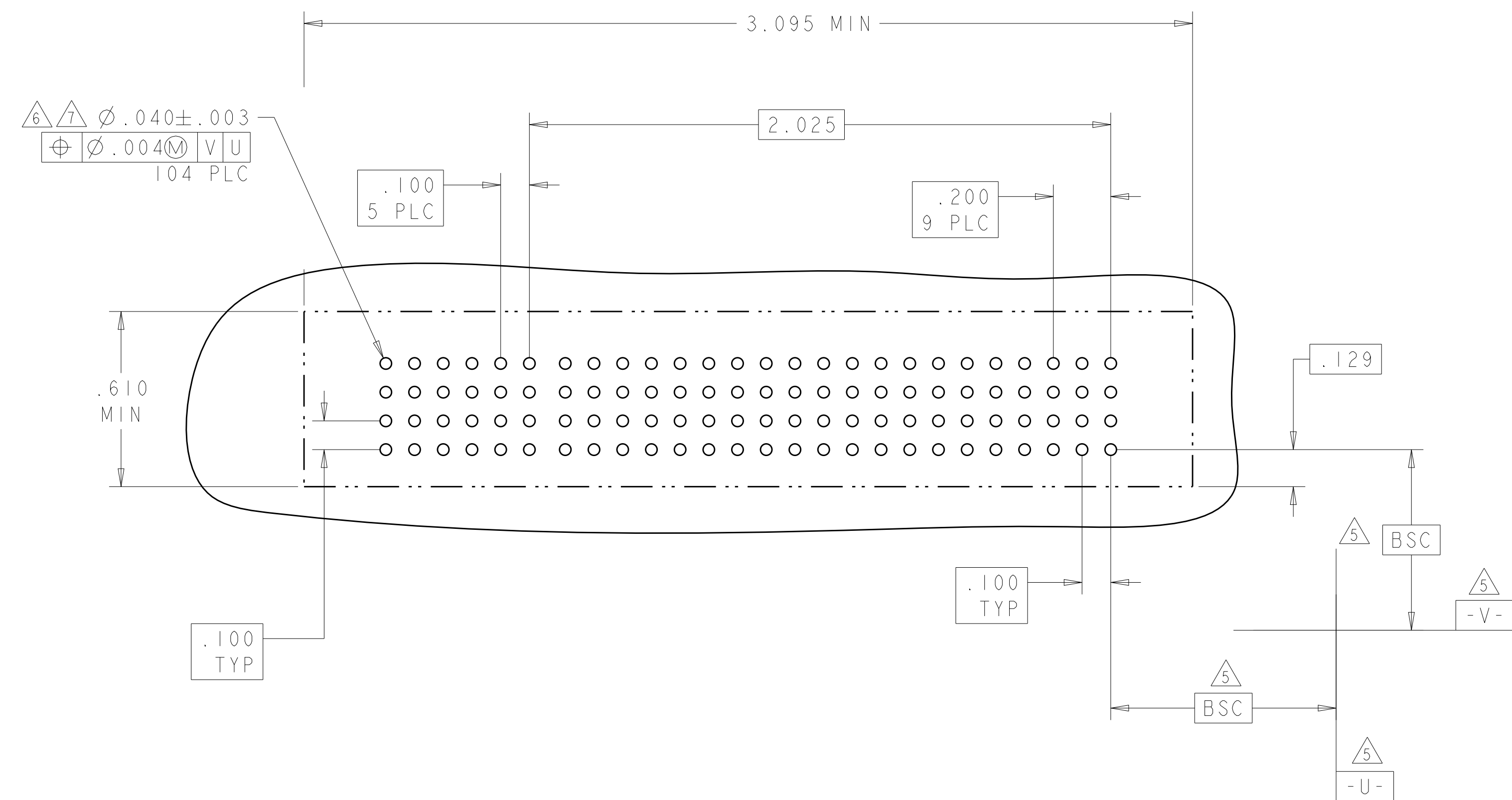
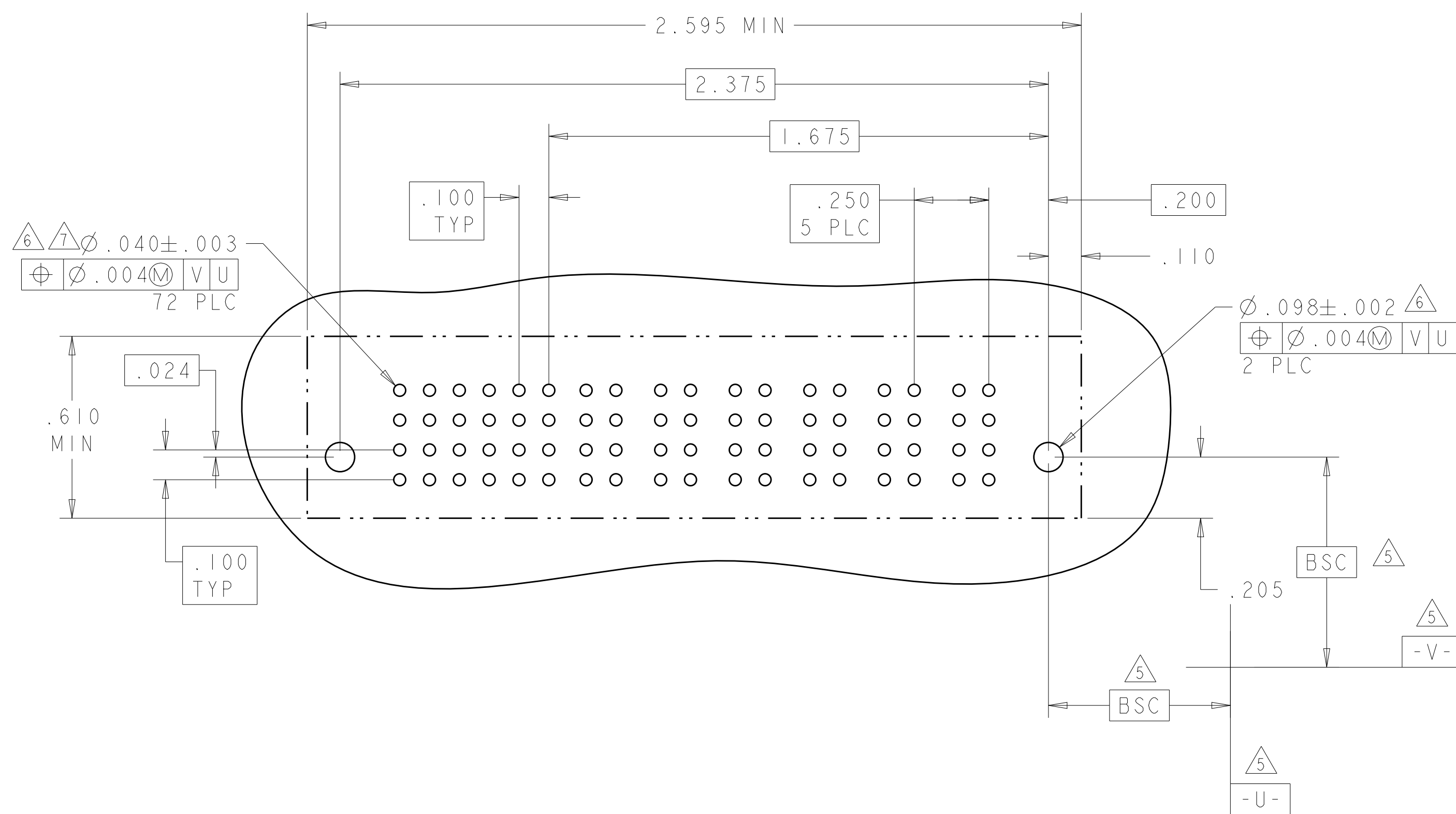
(D7)	.300	2.240	1.890	2.050	1.450	.195	5ACP + 8S	2-6450862-4
(D5)	.250	3.240	2.890	3.050	1.925	.170	8P + 32S	2-6450862-3
	.250	3.240	2.890	3.050	1.925	.170	8P + 32S	2-6450862-2
	.115	.945	.595	.755	.2725	.1025	2LP + 8S	2-6450862-1
	.200	3.265	2.915	3.075	2.175	.145	11HDP + 24S	1-6450862-8
	△	3.740	3.390	3.550	2.625	.170	3ACP + 8P + 24S	1-6450862-7
	.250	2.415	2.065	2.225	1.425	.145	6P + 20S	1-6450862-6
	.200	3.265	2.915	3.075	1.975	.145	10HDP + 32S	1-6450862-5
	△	2.420	2.070	2.230	1.330	.145	5P + 2LP + 24S	1-6450862-4
	.250	3.790	3.440	3.600	2.900	.145	12P + 16S	6450862-6
	△	2.915	2.565	2.725	2.045	.170	6P + 2HDP + 20S	6450862-5
	.115	.970	.620	.780	.2725	.1275	2LP + 8S	6450862-4
	.200	3.065	2.715	2.875	1.975	.145	10HDP + 24S	6450862-3
	.250	2.595	2.215	2.375	1.425	.170	6P + 24S	6450862-1
	DIM S	DIM L	DIM U	DIM D	DIM W	DIM K	DESCRIPTION	PART NUMBER

THIS DRAWING IS A CONTROLLED DOCUMENT.		DWN S. ZHAO 18JUN2008	 TE Connectivity
DIMENSIONS: INCHES		CHK S. ZHAO 18JUN2008	
TOLERANCES UNLESS OTHERWISE SPECIFIED:		APVD S. ZHAO 18JUN2008	
0 PLC ±.1 1 PLC ±.1 2 PLC ±.02 3 PLC ±.005 4 PLC ±.0020 ANGLES ±.020		PRODUCT SPEC 108-2292 APPLICATION SPEC 114-13251 WEIGHT - CUSTOMER DRAWING	
MATERIAL - FINISH -		NAME VERTICAL RECEPTACLE W/ P+S MULTI-BEAM XLE SIZE CAGE CODE DRAWING NO A100779C=6450862 RESTRICTED TO - SCALE 2:1 SHEET 2 OF 9 REV D7	

LOC	DIST	REVISIONS			
ES	00	REV	DATE	BY	APPV
		-	SEE SHEET 1	-	-

PART NUMBER	ROWS	SIGNAL						POWER							
		6	5	4	3	2	1	P6	P5	P4	P3	P2	P1		
6450862-1	D C B A	AP	AP	AP	AP	AP	AP	GS	GS	GS	GS	GS	GS		
		AP	AP	AP	AP	AP	AP	GS	GS	GS	GS	GS	GS		
		AP	AP	AP	AP	AP	AP	GS	GS	GS	GS	GS	GS		
		AP	AP	AP	AP	AP	AP	GS	GS	GS	GS	GS	GS		
6P + 24S		HD												HD	

PART NUMBER	ROWS	SIGNAL						POWER									
		6	5	4	3	2	1	P10	P9	P8	P7	P6	P5	P4	P3	P2	P1
6450862-3	D C B A	AP	AP	AP	AP	AP	AP	GS	GS	GS	GS	GS	GS	GS	GS	GS	GS
		AP	AP	AP	AP	AP	AP	GS	GS	GS	GS	GS	GS	GS	GS	GS	GS
		AP	AP	AP	AP	AP	AP	GS	GS	GS	GS	GS	GS	GS	GS	GS	GS
		AP	AP	AP	AP	AP	AP	GS	GS	GS	GS	GS	GS	GS	GS	GS	GS
10HDP + 24S		HD												HD			



MFBL POWER CONTACT	GP
HOLD DOWN	HD
STD POWER CONTACT	GS
STD LP LOWER POWER CON.	LSI
SIGNAL CONTACT	AP
DESCRIPTION	CODE

THIS DRAWING IS A CONTROLLED DOCUMENT.

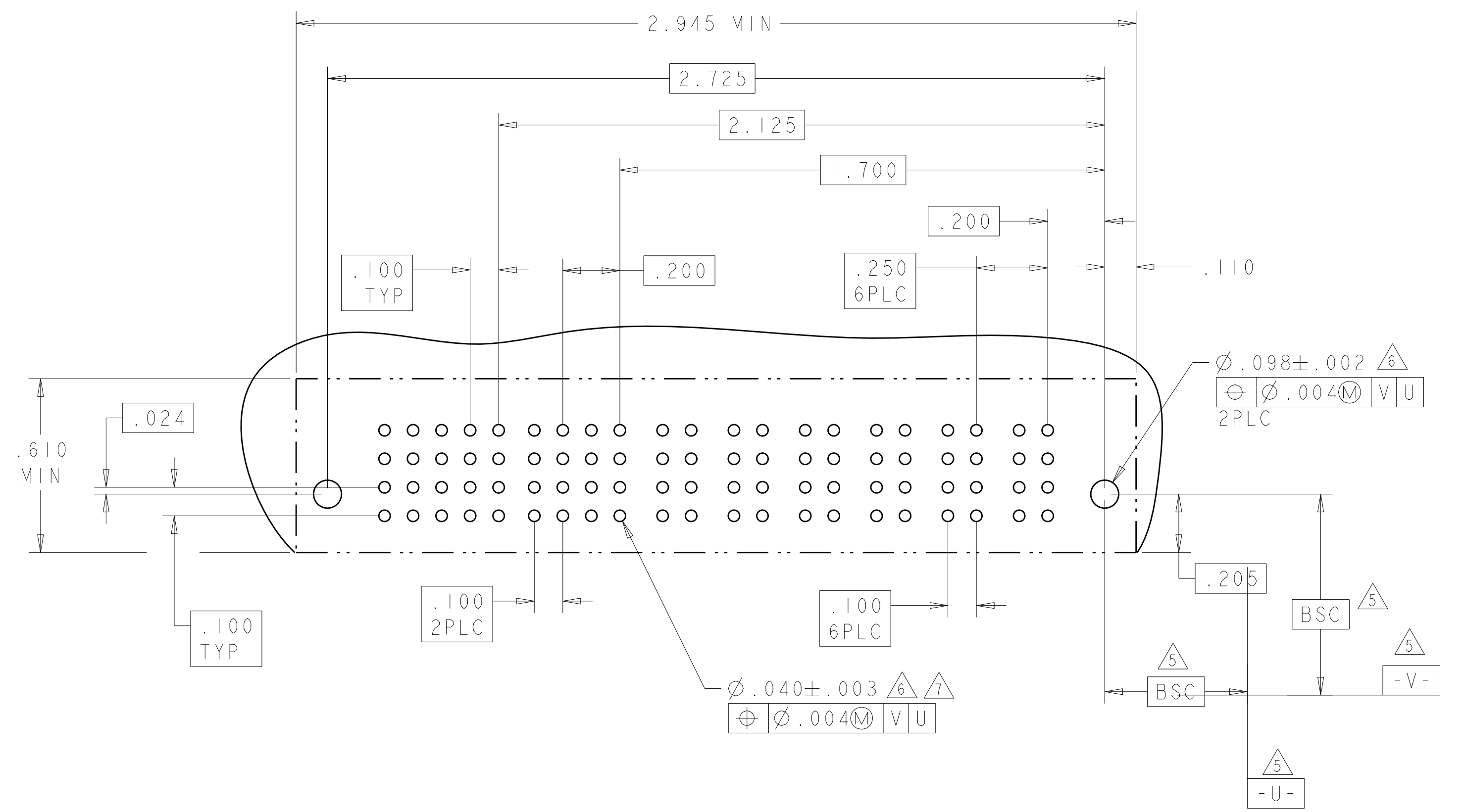
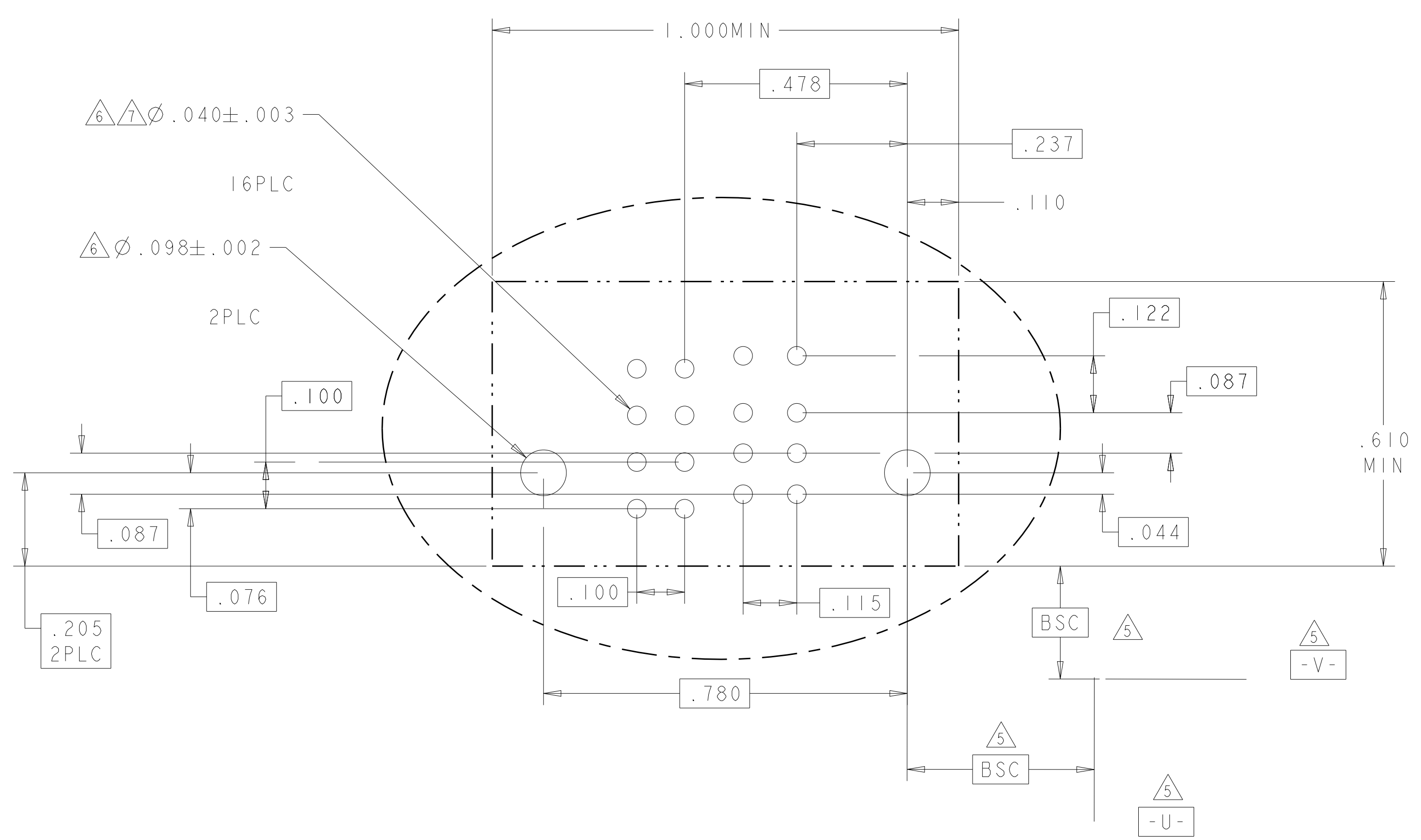
DIMENSIONS:	TOLERANCES UNLESS OTHERWISE SPECIFIED:	OWN	S. ZHAO	18JUN2008
INCHES	0 PLC ±.1	CHK	S. ZHAO	18JUN2008
	1 PLC ±.02	APPV	S. ZHAO	18JUN2008
	2 PLC ±.02	PRODUCT SPEC		
	3 PLC ±.005	108-2292		
	4 PLC ±.0020	APPLICATION SPEC		
	ANGLES ±.2°	114-13251		
MATERIAL	FINISH	WEIGHT	A100779C=6450862	
			CUSTOMER DRAWING	

SCALE 2:1 SHEET 3 OF 9 REV 07

LOC		DIST		REVISIONS			
ES	00	P	LTN	DESCRIPTION	DATE	DMN	APVD
				SEE SHEET 1			

PART NUMBER	ROWS	SIGNAL		POWER	
		2	1	P2	P1
6450862-4	D C B A	AP	AP	LSI	LSI
		AP	AP		
		AP	AP		
		AP	AP		
2LP + 8S		HD		HD	

PART NUMBER	ROWS	SIGNAL					POWER							
		5	4	3	2	1	P8	P7	P6	P5	P4	P3	P2	P1
6450862-5	D C B A	AP	AP	AP	AP	AP	GS	GS	GS	GS	GS	GS	GS	GS
		AP	AP	AP	AP	AP								
		AP	AP	AP	AP	AP								
		AP	AP	AP	AP	AP								
6P + 2HDP + 20S		HD											HD	

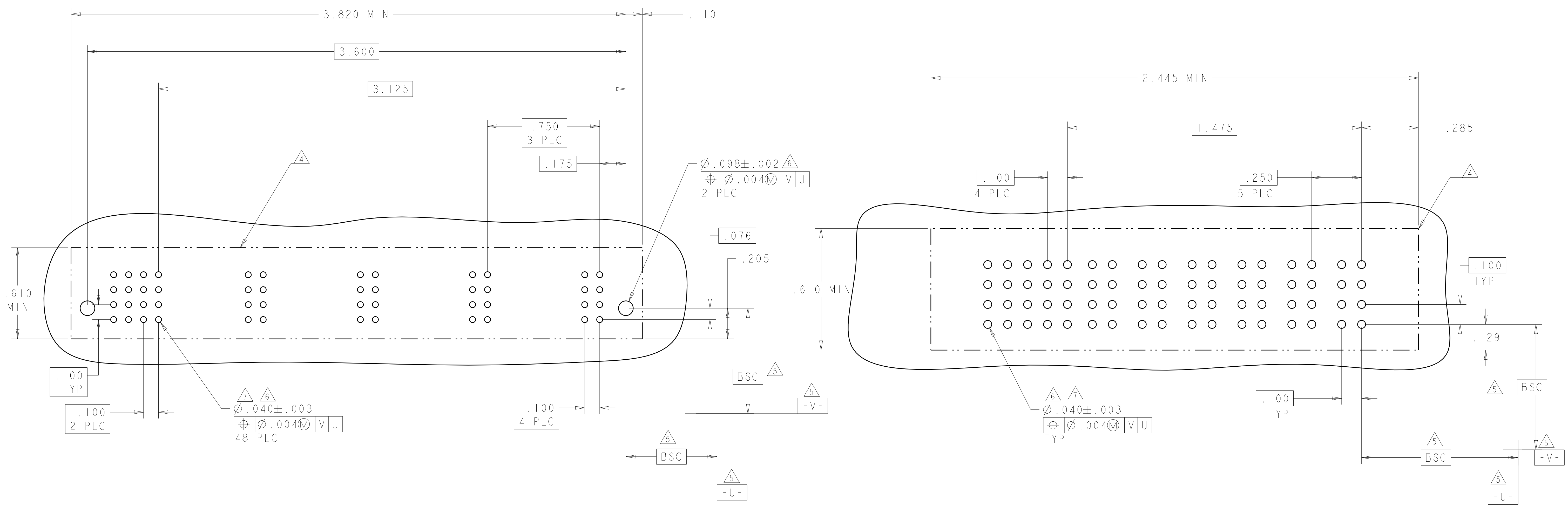


THIS DRAWING IS A CONTROLLED DOCUMENT.		DMN S. ZHAO 18JUN2008	TE Connectivity NAME VERTICAL RECEPTACLE W/ P+S MULTI-BEAM XLE
DIMENSIONS: INCHES		CHK S. ZHAO 18JUN2008	
TOLERANCES UNLESS OTHERWISE SPECIFIED:		APVD S. ZHAO 18JUN2008	SIZE CAGE CODE DRAWING NO RESTRICTED TO
0 PLC ±.1	1 PLC ±.02	PRODUCT SPEC 108-2292	A100779C=6450862
2 PLC ±.02	3 PLC ±.005	APPLICATION SPEC 114-13251	SCALE 2:1 SHEET 4 OF 9 REV D7
4 PLC ±.0020	ANGLES ±.7°	WEIGHT	CUSTOMER DRAWING
MATERIAL	FINISH		

LOC	DIST	REV	DATE	BY	APP'D
ES	00				
		DESCRIPTION		DATE	BY
		SEE SHEET 1			

PART NUMBER	ROWS	SIGNAL				POWER												
		4	3	2	1	P12	P11	P10	P9	P8	P7	P6	P5	P4	P3	P2	P1	
6450862-6	D C B A	AP	AP	AP	AP													
		AP	AP	AP	AP			GP			GS			GS				
		AP	AP	AP	AP													
		AP	AP	AP	AP													
12P + 16S		NO CONTACT LOADED																

PART NUMBER	ROWS	SIGNAL					POWER						
		5	4	3	2	1	P6	P5	P4	P3	P2	P1	
I-6450862-6	D C B A	AP	AP	AP	AP	AP							
		AP	AP	AP	AP	AP	GP	GP	GP	GP	GS	GS	
		AP	AP	AP	AP	AP							
		AP	AP	AP	AP	AP							
6P + 20S													

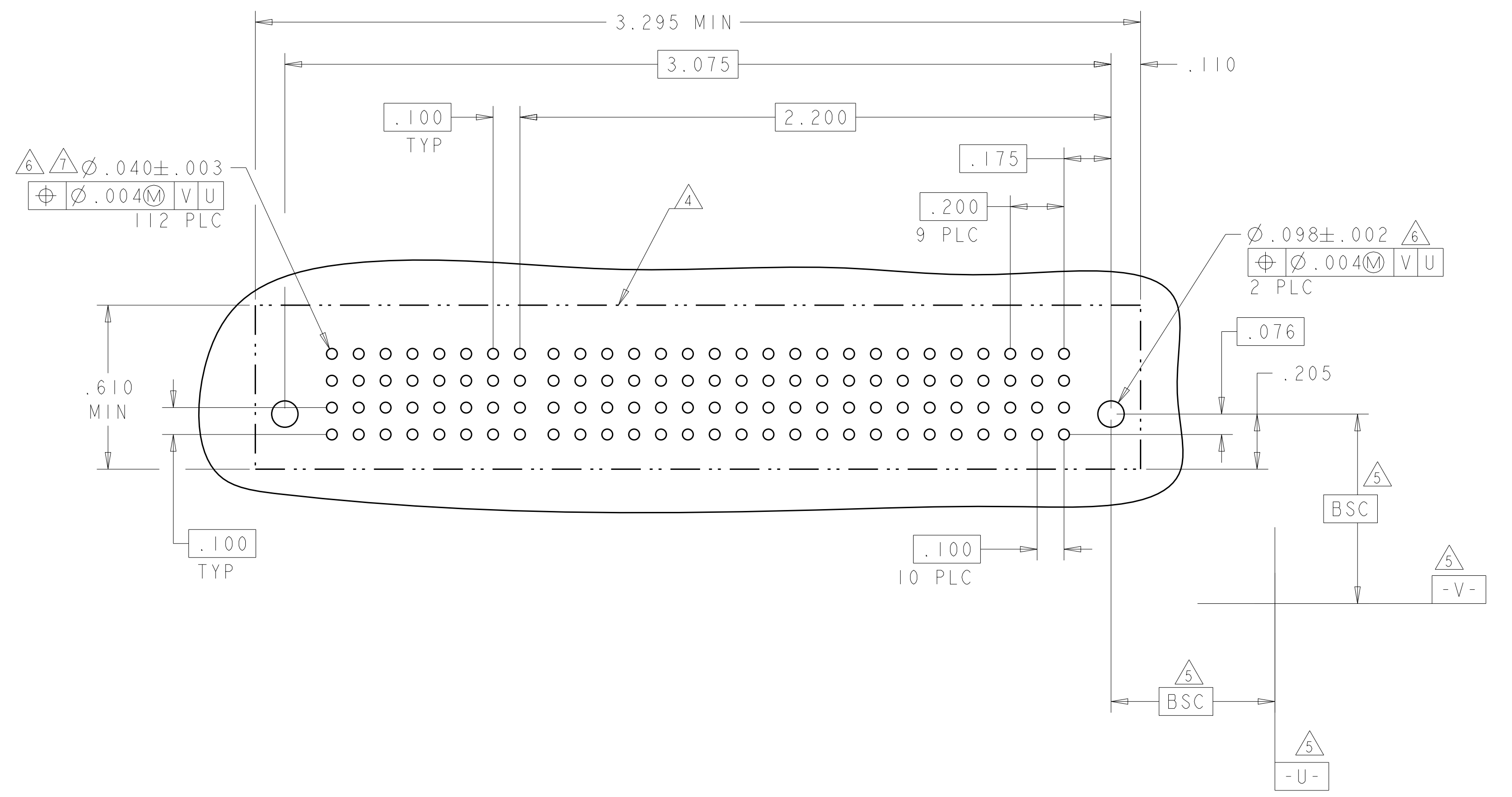
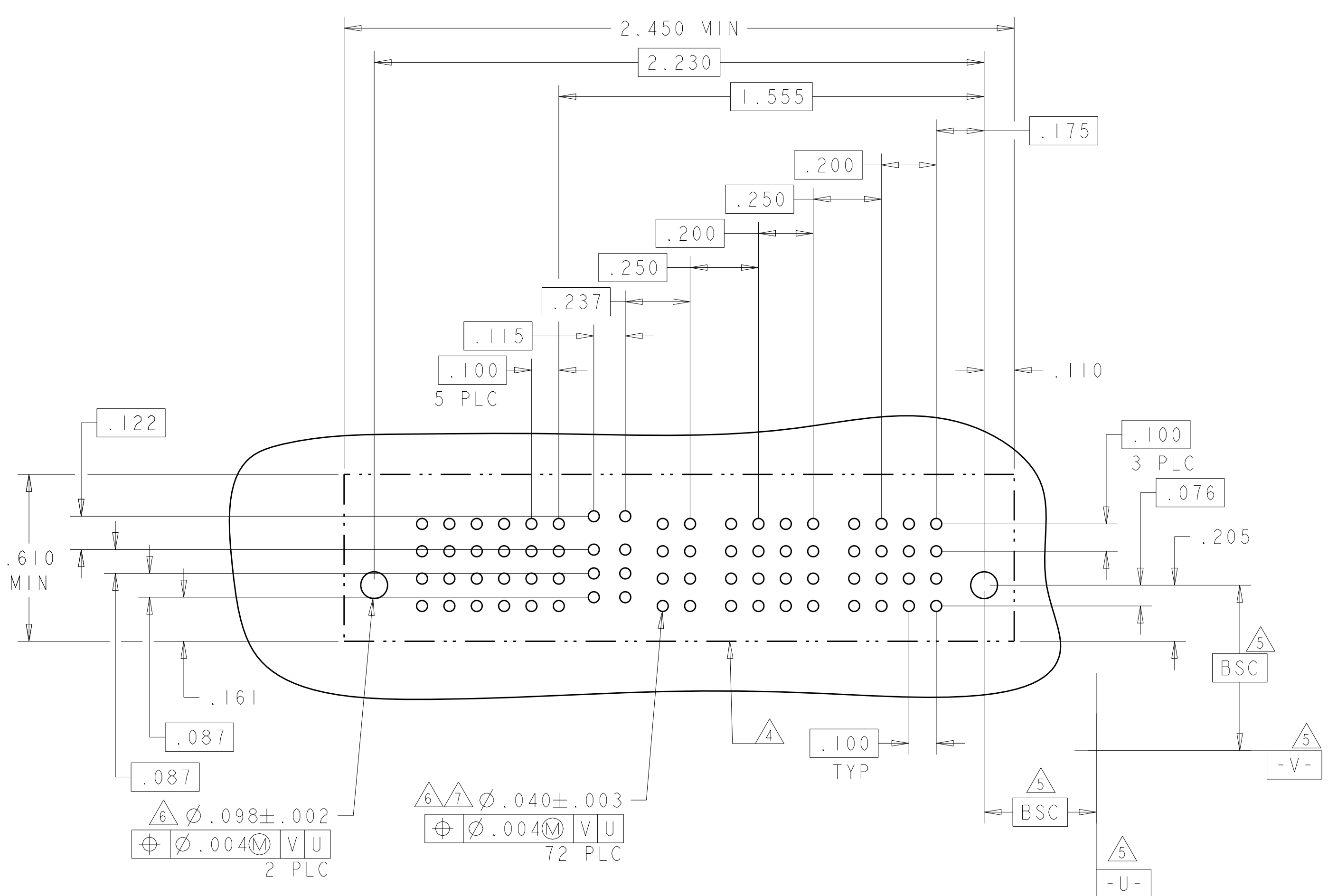
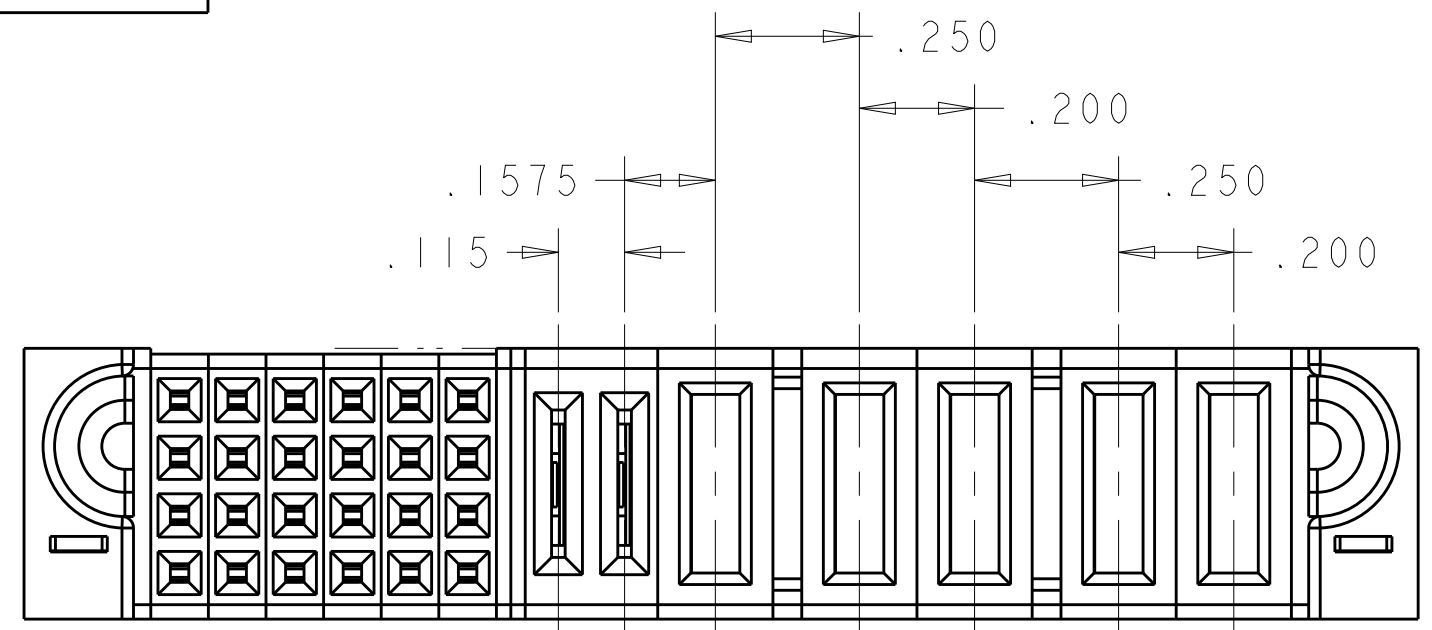


THIS DRAWING IS A CONTROLLED DOCUMENT.		DWN: S. ZHAO 18JUN2008	STE TE Connectivity
DIMENSIONS: INCHES		CHK: S. ZHAO 18JUN2008	
TOLERANCES UNLESS OTHERWISE SPECIFIED:		APVD: S. ZHAO 18JUN2008	NAME: VERTICAL RECEPTACLE W/ P+S MULTI-BEAM XLE
0 PLC ±.1		PRODUCT SPEC: 108-2292	
1 PLC ±.02		APPLICATION SPEC: 114-13251	SIZE: A1
2 PLC ±.05		WEIGHT: -	CAGE CODE: 6450862
3 PLC ±.0020		FINISH: -	SCALE: 2:1
4 PLC ±.0020		CUSTOMER DRAWING	SHEET 5 OF 9
ANGLES: ±.7°			REV: D7

LOC		DIST		REVISIONS			
ES	00	P	LTH	DESCRIPTION	DATE	DWN	APVD
		-	-	SEE SHEET 1	-	-	-

PART NUMBER	ROWS	SIGNAL						POWER						
		6	5	4	3	2	1	LP2	LPI	P5	P4	P3	P2	P1
I-6450862-4	D C B A	AP	AP	AP	AP	AP	AP	LSI	LSI	GP	GP	GP	GS	GS
		AP	AP	AP	AP	AP	AP							
		AP	AP	AP	AP	AP	AP							
		AP	AP	AP	AP	AP	AP							
5P+2LP+24S														

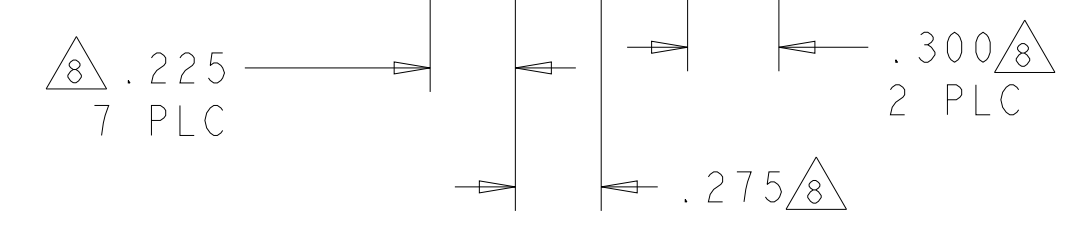
PART NUMBER	ROWS	SIGNAL								POWER									
		8	7	6	5	4	3	2	1	P10	P9	P8	P7	P6	P5	P4	P3	P2	P1
I-6450862-5	D C B A	AP	AP	AP	AP	AP	AP	AP	AP	GS	GS	GS	GS	GS	GS	GS	GS	GS	GS
		AP	AP	AP	AP	AP	AP	AP	AP										
		AP	AP	AP	AP	AP	AP	AP	AP										
		AP	AP	AP	AP	AP	AP	AP	AP										
10HDP + 32S																			



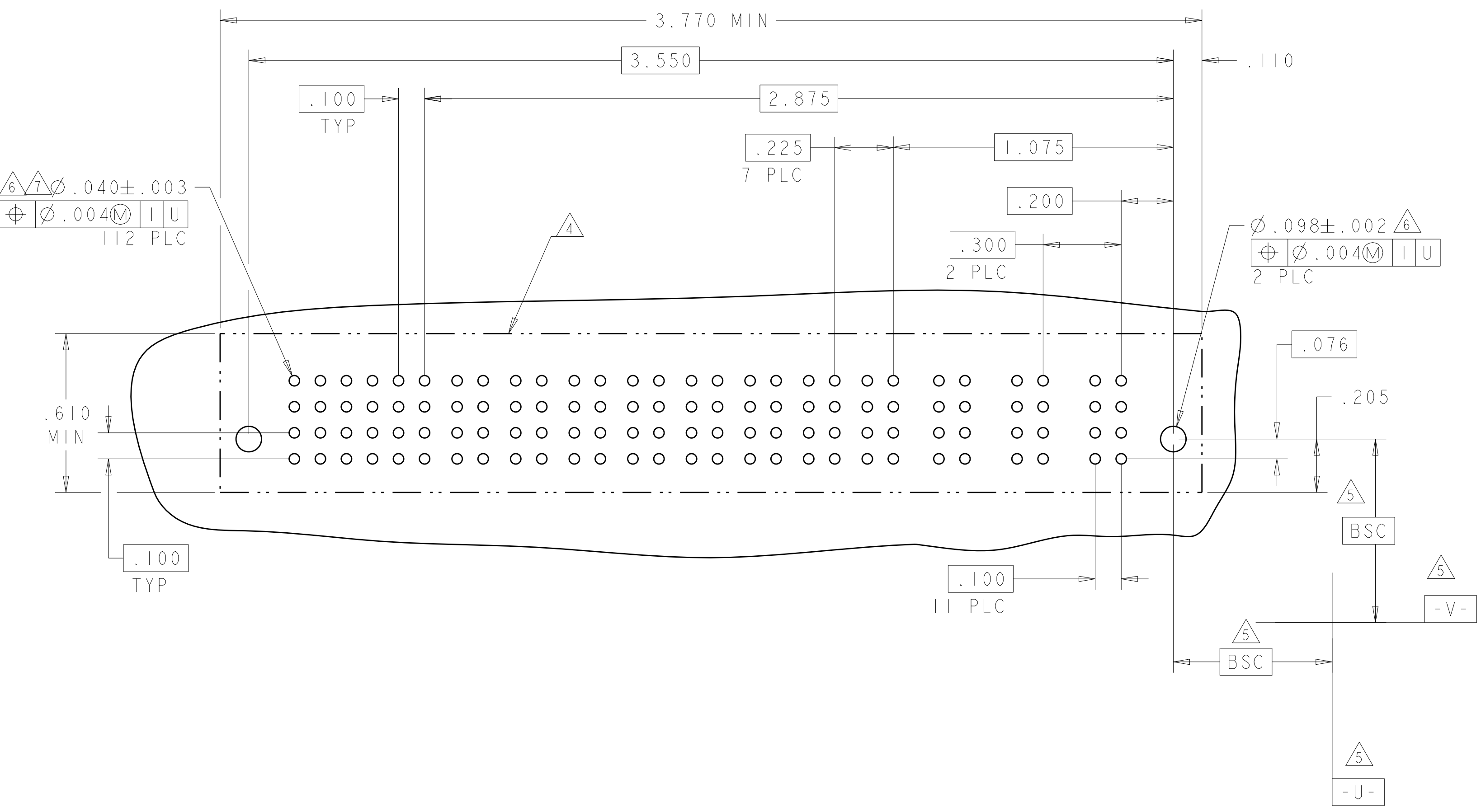
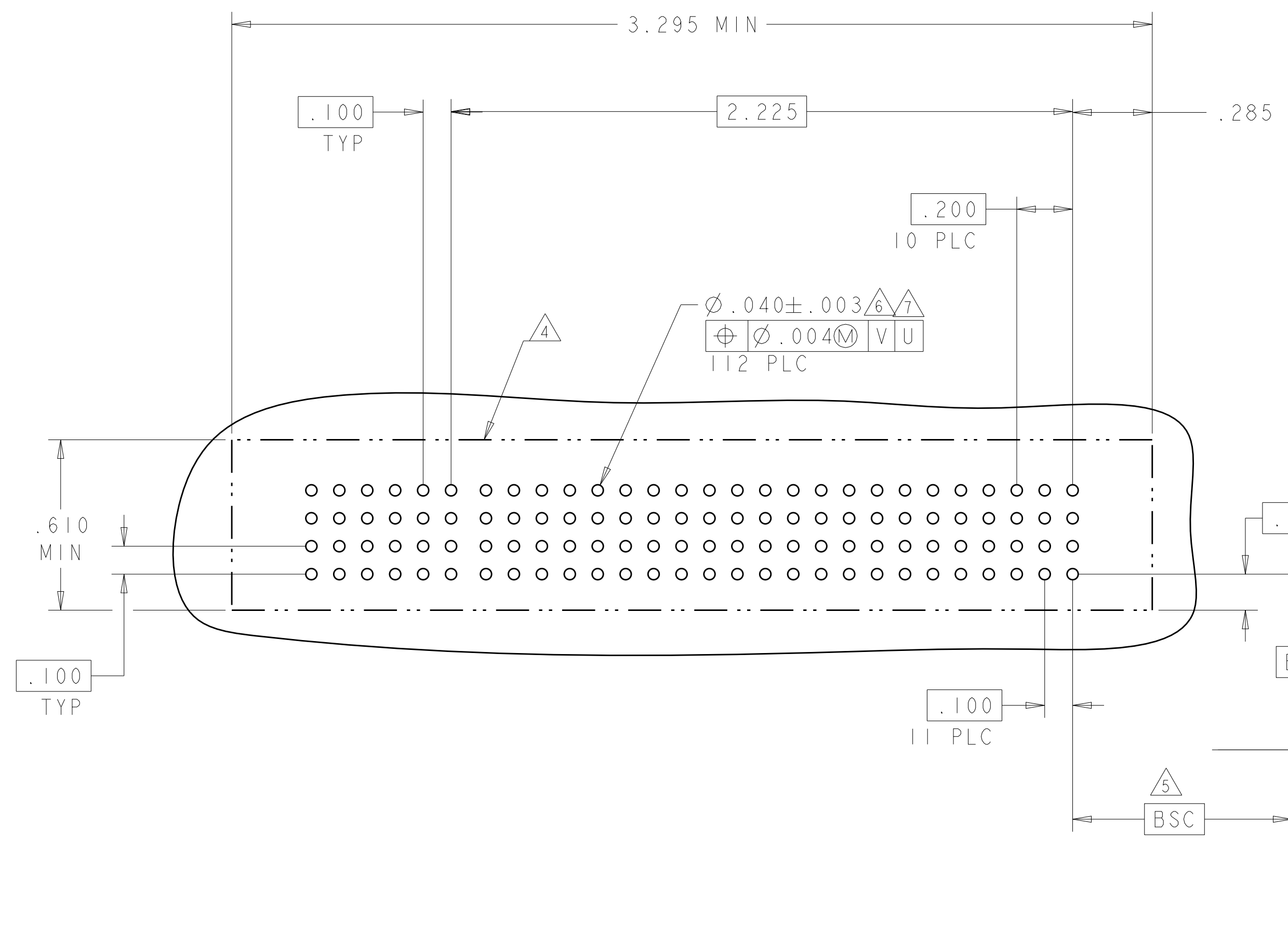
THIS DRAWING IS A CONTROLLED DOCUMENT.		DWN S. ZHAO 18JUN2008		TE Connectivity VERTICAL RECEPTACLE W/ P+S MULTI-BEAM XLE
DIMENSIONS:	TOLERANCES UNLESS OTHERWISE SPECIFIED:	CHK S. ZHAO 18JUN2008		
INCHES	0 PLC ±.1 1 PLC ±.1 2 PLC ±.02 3 PLC ±.005 4 PLC ±.002	APVD S. ZHAO 18JUN2008		
MATERIAL	FINISH	PRODUCT SPEC 108-2292 APPLICATION SPEC 114-13251 WEIGHT		
		CUSTOMER DRAWING	SIZE A1	SCALE 2:1

LOC	DIST	REV	DATE	BY	APPV
ES	00				
DESCRIPTION			DATE	BY	APPV
SEE SHEET 1					

PART NUMBER	ROWS	SIGNAL						POWER													
		6	5	4	3	2	1	P11	P10	P9	P8	P7	P6	P5	P4	P3	P2	P1			
I-6450862-7	D C B A	AP	AP	AP	AP	AP	AP	GS	GS	GS	GS	GS	GS	GS	GP	GS	GS	GS			
		AP	AP	AP	AP	AP	AP	GS	GS	GS	GS	GS	GS	GP	GS	GS	GS				
		AP	AP	AP	AP	AP	AP	GS	GS	GS	GS	GS	GS	GP	GS	GS	GS				
3ACP + 8P + 24S		HD																		HD	



PART NUMBER	ROWS	SIGNAL						POWER													
		6	5	4	3	2	1	P11	P10	P9	P8	P7	P6	P5	P4	P3	P2	P1			
I-6450862-8	D C B A	AP	AP	AP	AP	AP	AP	GS	GS	GS	GS	GS	GS	GS	GS	GS	GS	GS			
		AP	AP	AP	AP	AP	AP	GS	GS	GS	GS	GS	GS	GS	GS	GS	GS				
		AP	AP	AP	AP	AP	AP	GS	GS	GS	GS	GS	GS	GS	GS	GS	GS				
11HDP + 24S		HD																		HD	



THIS DRAWING IS A CONTROLLED DOCUMENT.		OWN	S. ZHAO	18JUN2008	TE Connectivity NAME: VERTICAL RECEPTACLE W/ P+S MULTI-BEAM XLE SIZE: CAGE CODE DRAWING NO: A100779C=6450862 RESTRICTED TO:
DIMENSIONS: INCHES		CHK	S. ZHAO	18JUN2008	
TOLERANCES UNLESS OTHERWISE SPECIFIED:		APPV	S. ZHAO	18JUN2008	
0 PLC ±. 1 PLC ±.1 2 PLC ±.02 3 PLC ±.05 4 PLC ±.0020 ANGLES ±.7°		PRODUCT SPEC	108-2292	APPLICATION SPEC	
MATERIAL	FINISH	WEIGHT	114-13251	CUSTOMER DRAWING	SCALE: 2:1 SHEET 7 OF 9 REV: 7

LOC	DIST	REV	DATE	BY	APPV
ES	00				

PART NUMBER	ROWS	SIGNAL		POWER	
		2	1	P2	P1
2-6450862-1	D C B A	AP	AP	LSI	LSI
		AP	AP		
		AP	AP	HD	HD
		AP	AP		

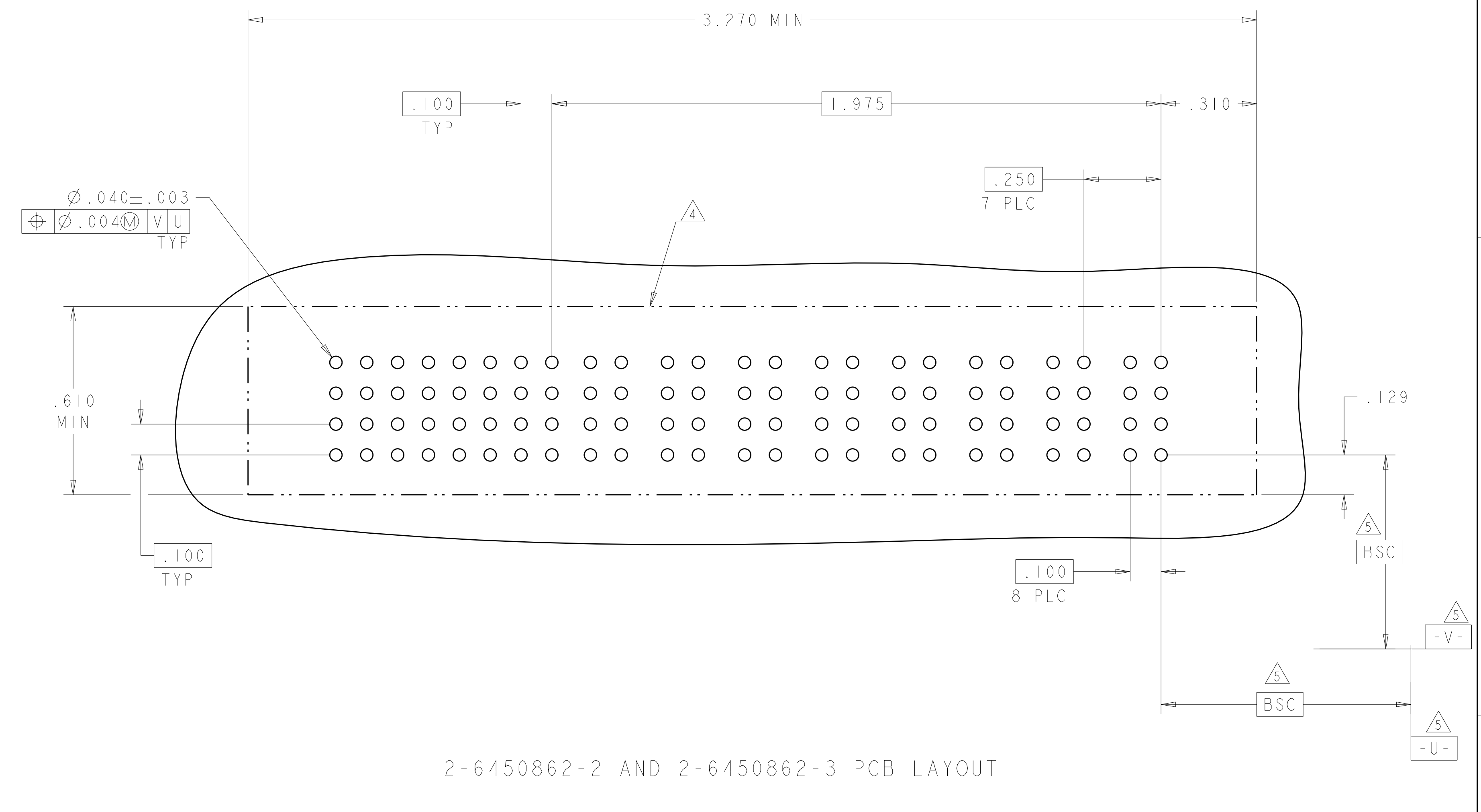
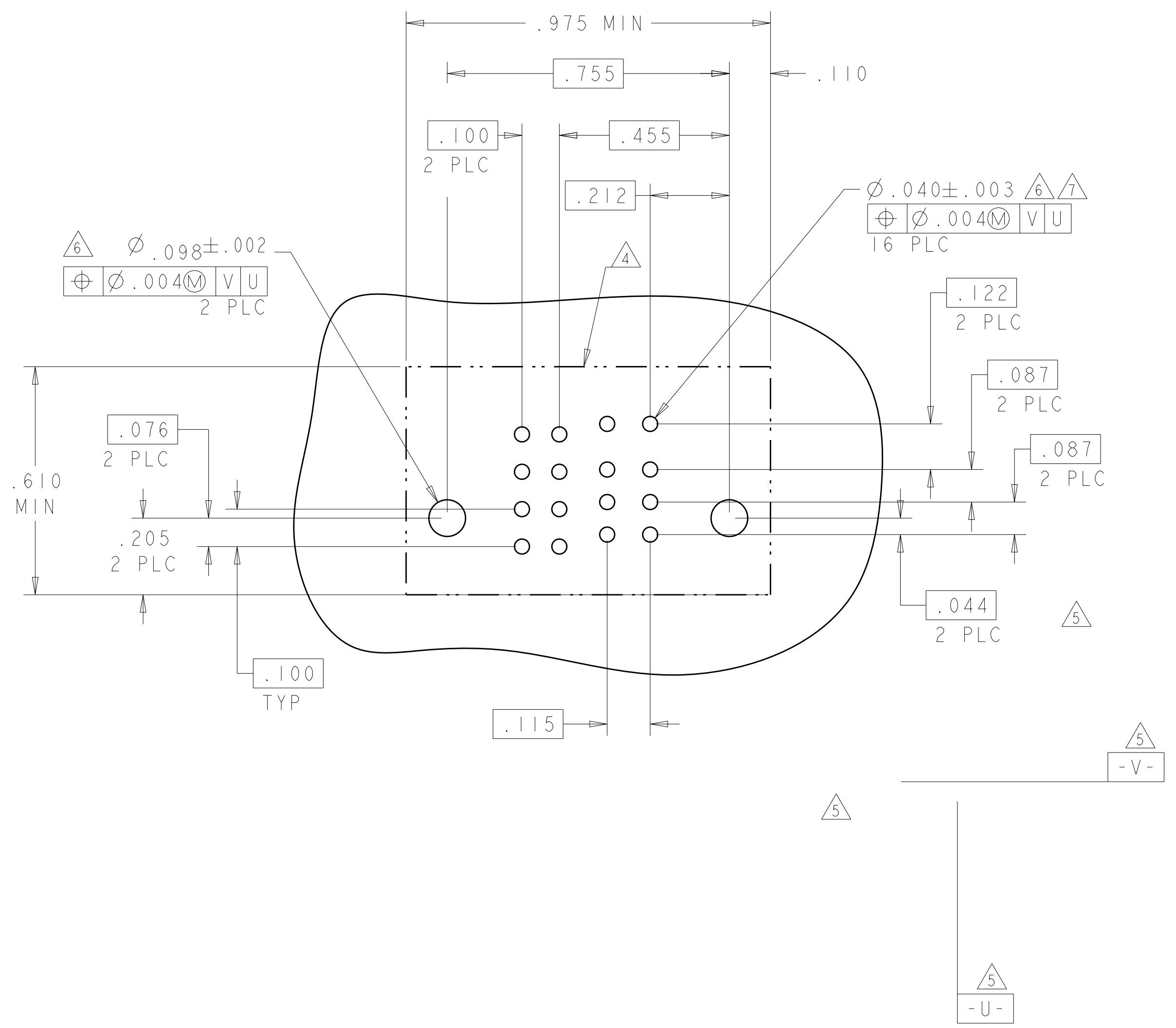
2LP + 8S

PART NUMBER	ROWS	SIGNAL								POWER							
		8	7	6	5	4	3	2	1	P8	P7	P6	P5	P4	P3	P2	P1
2-6450862-2	D C B A	AP	AP	AP	AP	AP	AP	AP	AP	GS	GS	GS	GS	GS	GS	GS	GS
		AP	AP	AP	AP	AP	AP	AP	AP	GS	GS	GS	GS	GS	GS	GS	GS
		AP	AP	AP	AP	AP	AP	AP	AP								
		AP	AP	AP	AP	AP	AP	AP	AP								

8P + 32S

PART NUMBER	ROWS	SIGNAL								POWER							
		8	7	6	5	4	3	2	1	P8	P7	P6	P5	P4	P3	P2	P1
2-6450862-3	D C B A	AP	AP	AP	AP	AP	AP	AP	AP	GP	GS	GS	GS	GS	GS	GS	GS
		AP	AP	AP	AP	AP	AP	AP	AP	GS	GS	GS	GS	GS	GS	GS	GS
		AP	AP	AP	AP	AP	AP	AP	AP								
		AP	AP	AP	AP	AP	AP	AP	AP								

8P + 32S

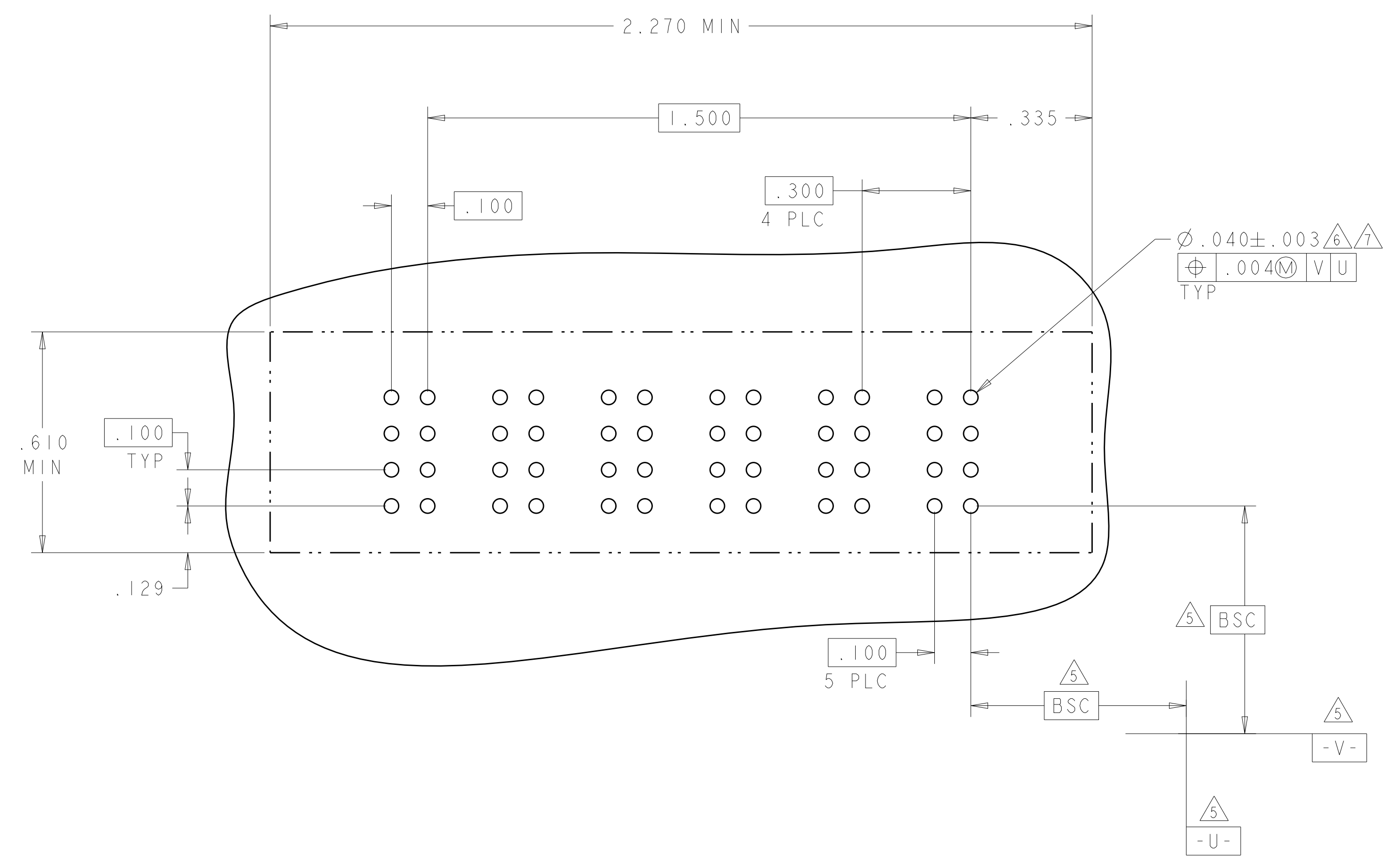


2-6450862-2 AND 2-6450862-3 PCB LAYOUT

THIS DRAWING IS A CONTROLLED DOCUMENT.		OWN: S. ZHAO 18JUN2008	 TE Connectivity
DIMENSIONS: INCHES		CHK: S. ZHAO 18JUN2008	
TOLERANCES UNLESS OTHERWISE SPECIFIED:		APPV: S. ZHAO 18JUN2008	
0 PLC ±.1 1 PLC ±.1 2 PLC ±.02 3 PLC ±.005 4 PLC ±.002 ANGLES ±.0020		PRODUCT SPEC: 108-2292 APPLICATION SPEC: 114-13251 WEIGHT: -	
MATERIAL: -	FINISH: -	NAME: VERTICAL RECEPTACLE W/ P+S MULTI-BEAM XLE	RESTRICTED TO: -
CUSTOMER DRAWING		SCALE: 2:1	SHEET: 8 OF 9

LOC	DIST	REVISIONS					
		P	LTN	DESCRIPTION	DATE	DWN	APVD
ES	00	-	-	SEE SHEET 1	-	-	-

PART NUMBER	ROWS	SIGNAL		POWER				
		2	1	P5	P4	P3	P2	P1
2-6450862-4	D	AP	AP	GP	GS	GS	GS	GS
	C	AP	AP					
	B	AP	AP					
	A	AP	AP					
5ACP + 8S								



THIS DRAWING IS A CONTROLLED DOCUMENT.		DWN S. ZHAO 18JUN2008	TE Connectivity NAME VERTICAL RECEPTACLE W/ P+S MULTI-BEAM XLE SIZE CAGE CODE DRAWING NO RESTRICTED TO A100779C=6450862 -
DIMENSIONS: INCHES		CHK S. ZHAO 18JUN2008	
TOLERANCES UNLESS OTHERWISE SPECIFIED:		APVD S. ZHAO 18JUN2008	
0 PLC ±.1 1 PLC ±.1 2 PLC ±.02 3 PLC ±.005 4 PLC ±.0020 ANGLES ±.2° FINISH -		PRODUCT SPEC 108-2292 APPLICATION SPEC 114-13251 WEIGHT - CUSTOMER DRAWING	
MATERIAL -		SCALE 2:1	SHEET 9 of 9