



Chipsmall Limited consists of a professional team with an average of over 10 year of expertise in the distribution of electronic components. Based in Hongkong, we have already established firm and mutual-benefit business relationships with customers from,Europe,America and south Asia,supplying obsolete and hard-to-find components to meet their specific needs.

With the principle of “Quality Parts,Customers Priority,Honest Operation,and Considerate Service”,our business mainly focus on the distribution of electronic components. Line cards we deal with include Microchip,ALPS,ROHM,Xilinx,Pulse,ON,Everlight and Freescale. Main products comprise IC,Modules,Potentiometer,IC Socket,Relay,Connector.Our parts cover such applications as commercial,industrial, and automotives areas.

We are looking forward to setting up business relationship with you and hope to provide you with the best service and solution. Let us make a better world for our industry!



Contact us

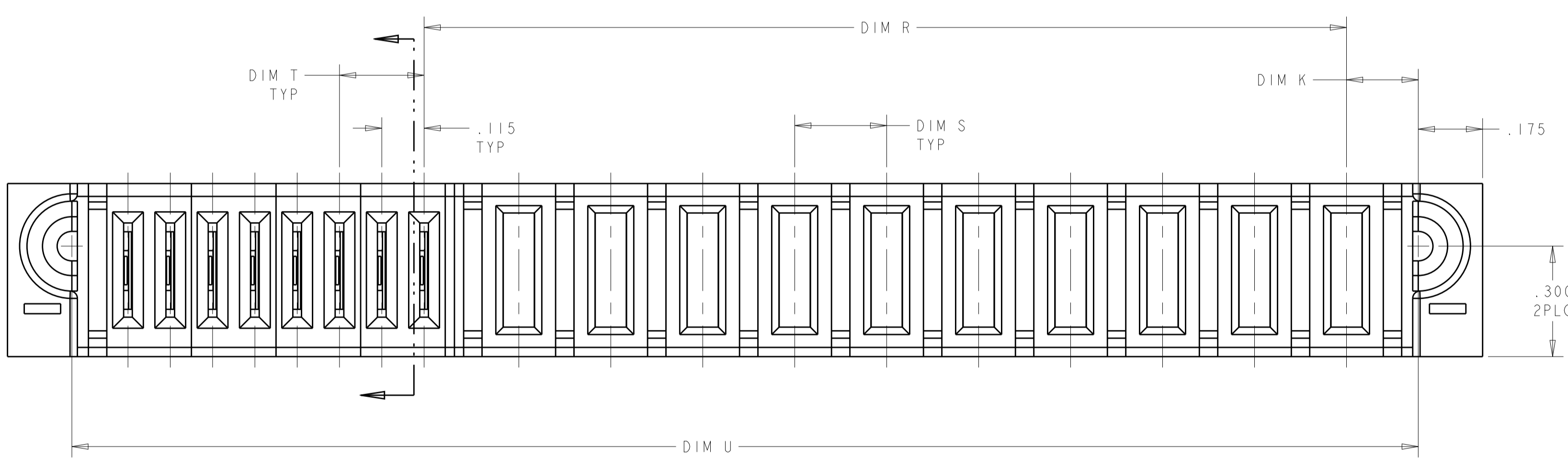
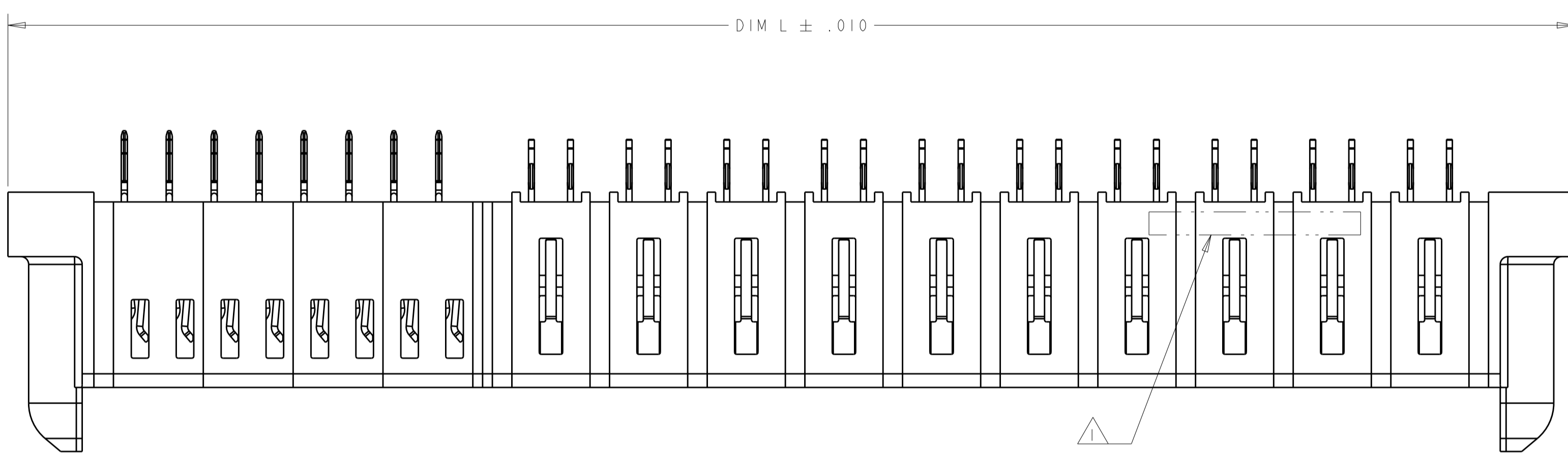
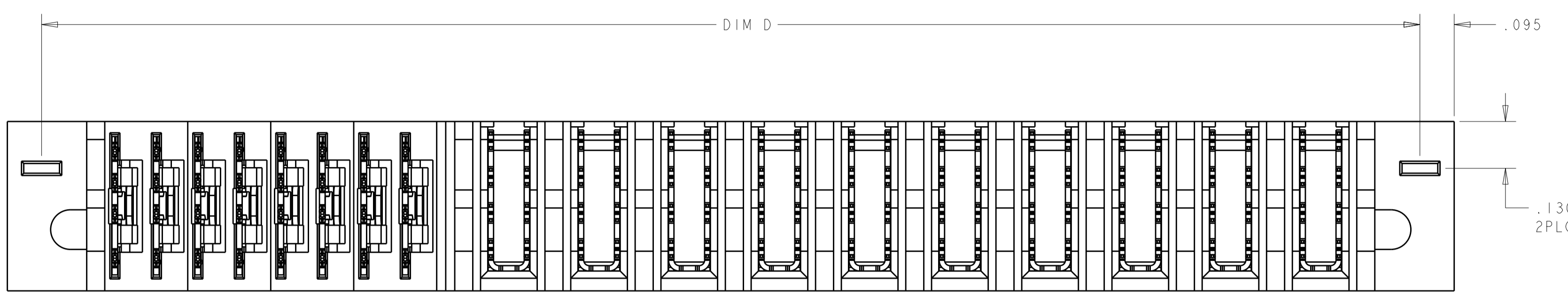
Tel: +86-755-8981 8866 Fax: +86-755-8427 6832

Email & Skype: info@chipsmall.com Web: www.chipsmall.com

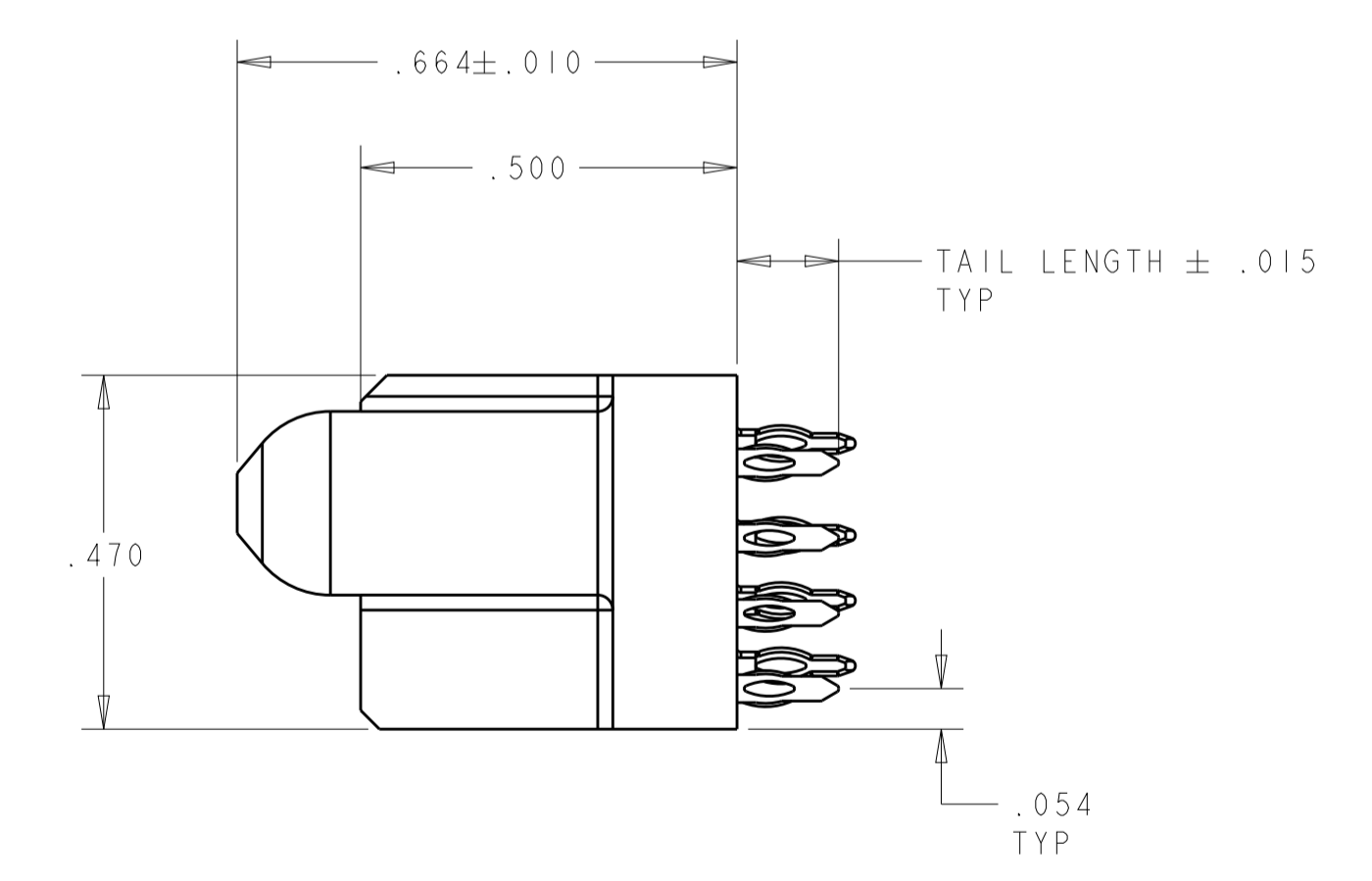
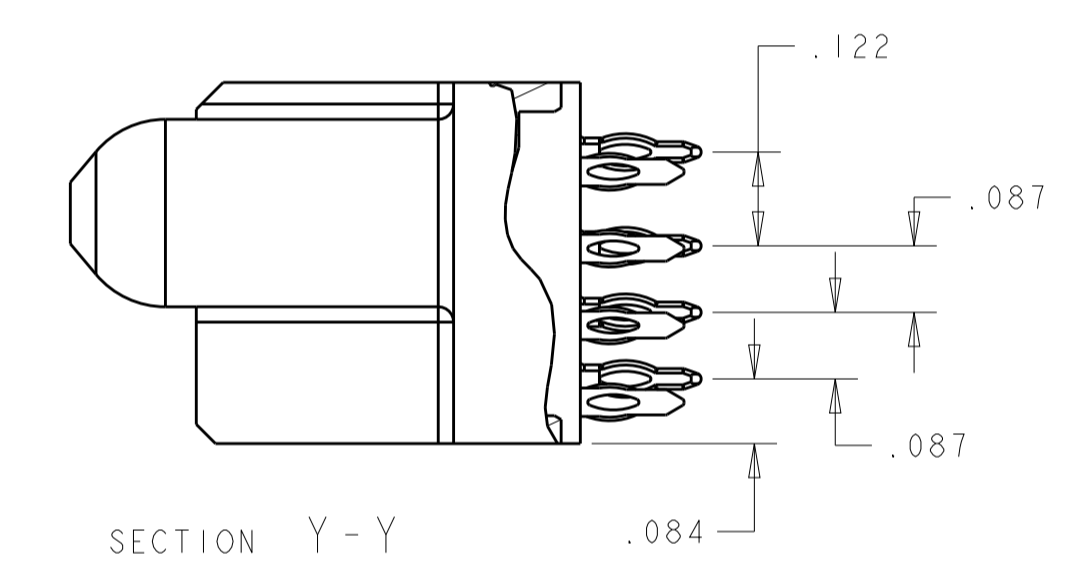
Address: A1208, Overseas Decoration Building, #122 Zhenhua RD., Futian, Shenzhen, China



REVISONS		DATE	DWN	APVD
REV	DESCRIPTION			
B3	REV PER ECR-11-012858	16JUN2011	AY	SZ
B4	ADDED NEW DASH NUMBER -9	04SEP2012	CZ	SZ
B5	ADDED NEW DASH NUMBER 1-1	19APR2013	CZ	SZ



- 1 "AMP", PART NUMBER AND DATE CODE TO BE MARKED IN AREA SHOWN PARTS UNDER 2.00 LONG MAY BE MARKED ON BOTH SIDES
- 2 MATERIAL: HOUSING - GLASS FILLED HIGH TEMP THERMO PLASTIC, UL94 V-0, BLACK.
 SIGNAL CONTACT - HIGH CONDUCTIVITY COPPER ALLOY
 POWER CONTACT - HIGH CONDUCTIVITY COPPER ALLOY
 LP CONTACT - HIGH CONDUCTIVITY COPPER ALLOY
- 3 CONTACT PLATING: NOBLE METAL PLATING ON CONTACT FUNCTIONAL AREA OF POWER AND SIGNAL CONTACTS.
- 4 MECHANICAL CONNECTOR KEEP OUT ZONE
- 5 DATUM AND BASIC DIMENSIONS ESTABLISHED BY CUSTOMER
- 6 PCB - ALL HOLE DIAMETERS ARE FINISHED HOLE SIZES
- 7 PCB - 0.0453 ± .0010 DRILLED HOLES PLATED WITH .0003 MIN Sn OVER .001 TO .003 Cu PLATING TO ACHIEVE A .040 ± .030 HOLE
- 8 VARIABLE DIMENSIONS SHOW ON TABLE.
- 9 PLEASE REFER TO PART VIEW FOR DETAIL DIMENSIONS.
- 10 NOT RELEASED FOR PRODUCTION.



	D	T	S	K	U	R	L	DESCRIPTION	PART NUMBER
B5	.710	.115	-	-	.550	.1025	.900	4LP	1-6450863-1
	-	-	.250	.170	1.090	-	1.440	4P	6450863-9
	-	-	.200	.170	1.340	-	1.690	6HDP	6450863-8
	-	-	.200	.145	1.490	-	1.840	7HDP	6450863-6
	-	-	.300	.195	2.190	-	2.540	7ACP	6450863-5
	-	-	-	-	-	-	-	12 HDP	6450863-4
	2.700	-	8	.145	2.540	-	2.890	12P	6450863-2

THIS DRAWING IS A CONTROLLED DOCUMENT. DWN: H. LIU 12JUN2008
 CHK: S. ZHAO 12JUN2008
 APVD: S. YAO

DIMENSIONS: INCHES
 TOLERANCES UNLESS OTHERWISE SPECIFIED:
 0 PLC ±.
 1 PLC ±.01
 2 PLC ±.01
 3 PLC ±.005
 4 PLC ±.0020
 ANGLES ±.0020

MATERIAL: 6
 FINISH: 1

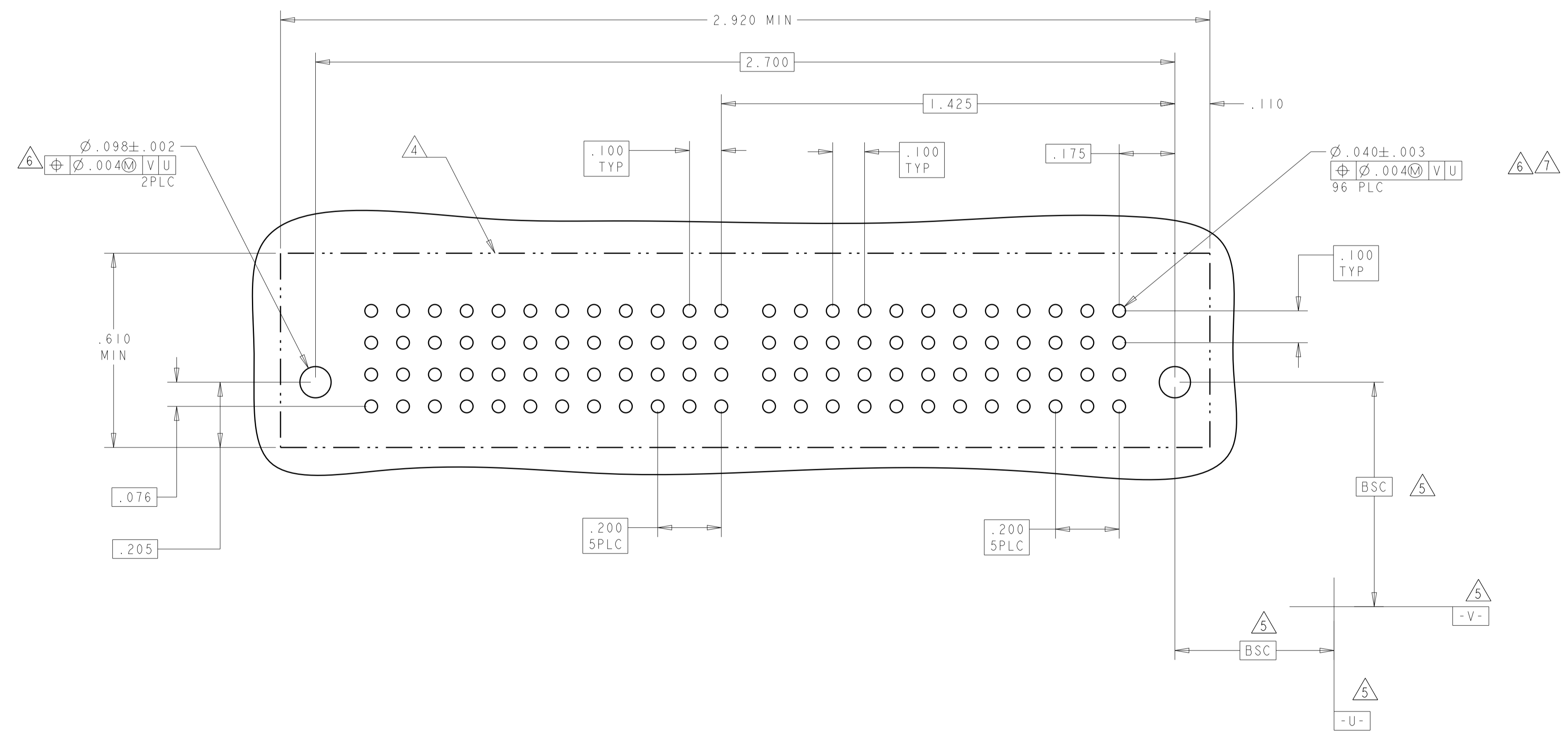
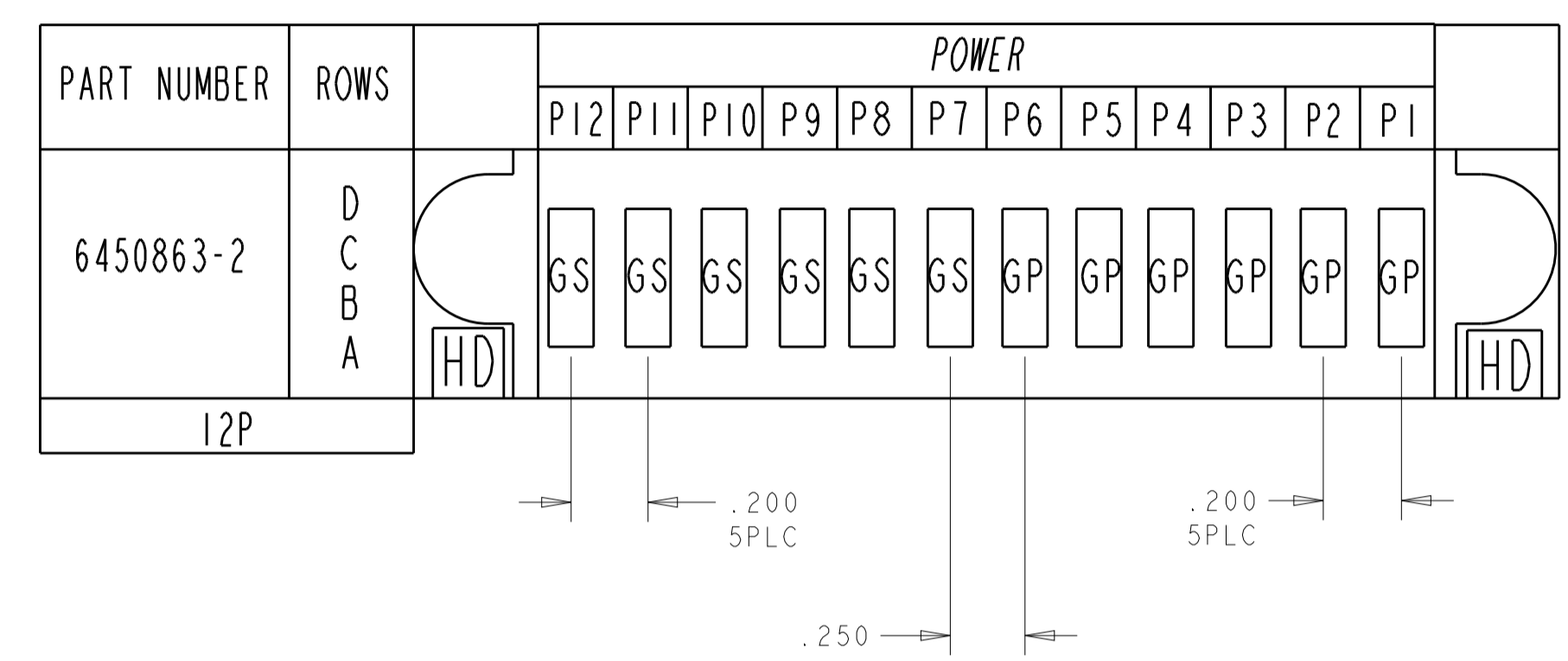
PRODUCT SPEC: 108-2292
 APPLICATION SPEC: 114-13038

WEIGHT: -
 CUSTOMER DRAWING

NAME: VER RECEPT ASSEMBLY SHROTT GUIDES, PRESS FIT MULTI-BEAM XLE
 SIZE: A1
 CAGE CODE: 100779
 DRAWING NO: 6450863
 RESTRICTED TO: B5

SCALE: N/A
 SHEET: 1 OF 6
 REV: B5

LOC	DIST	REVISIONS					
		P	LTN	DESCRIPTION	DATE	DMN	APVD
ES	00	-	-	SEE SHEET 1	-	-	-



CODE	DESCRIPTION
LSI	STD LOW POWER PRESS FIT, .135 TAIL LENGTH
GP	MFBL POWER PRESS FIT, .135 TAIL LENGTH.
GS	STD POWER PRESS FIT, .135 TAIL LENGTH.

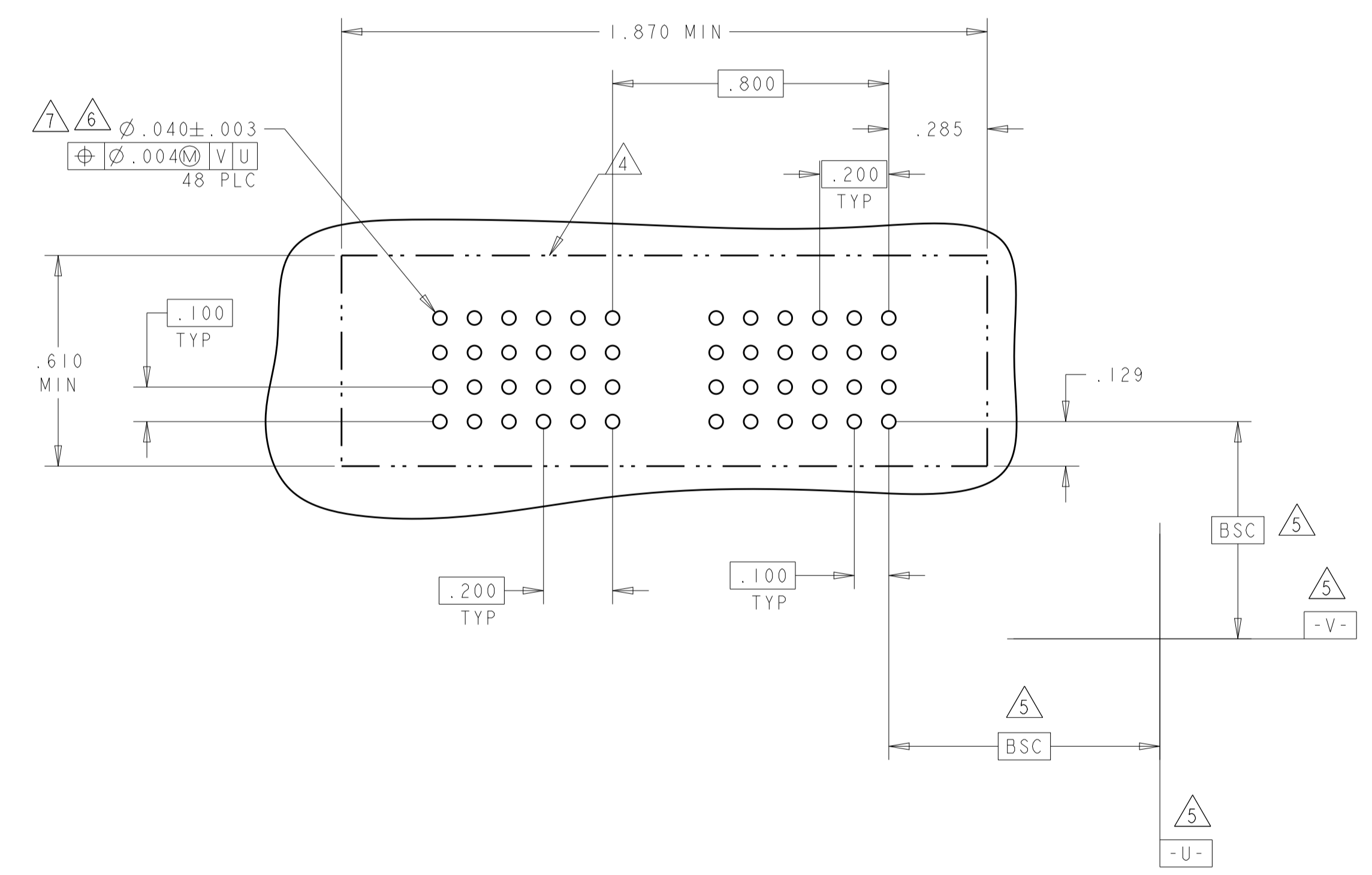
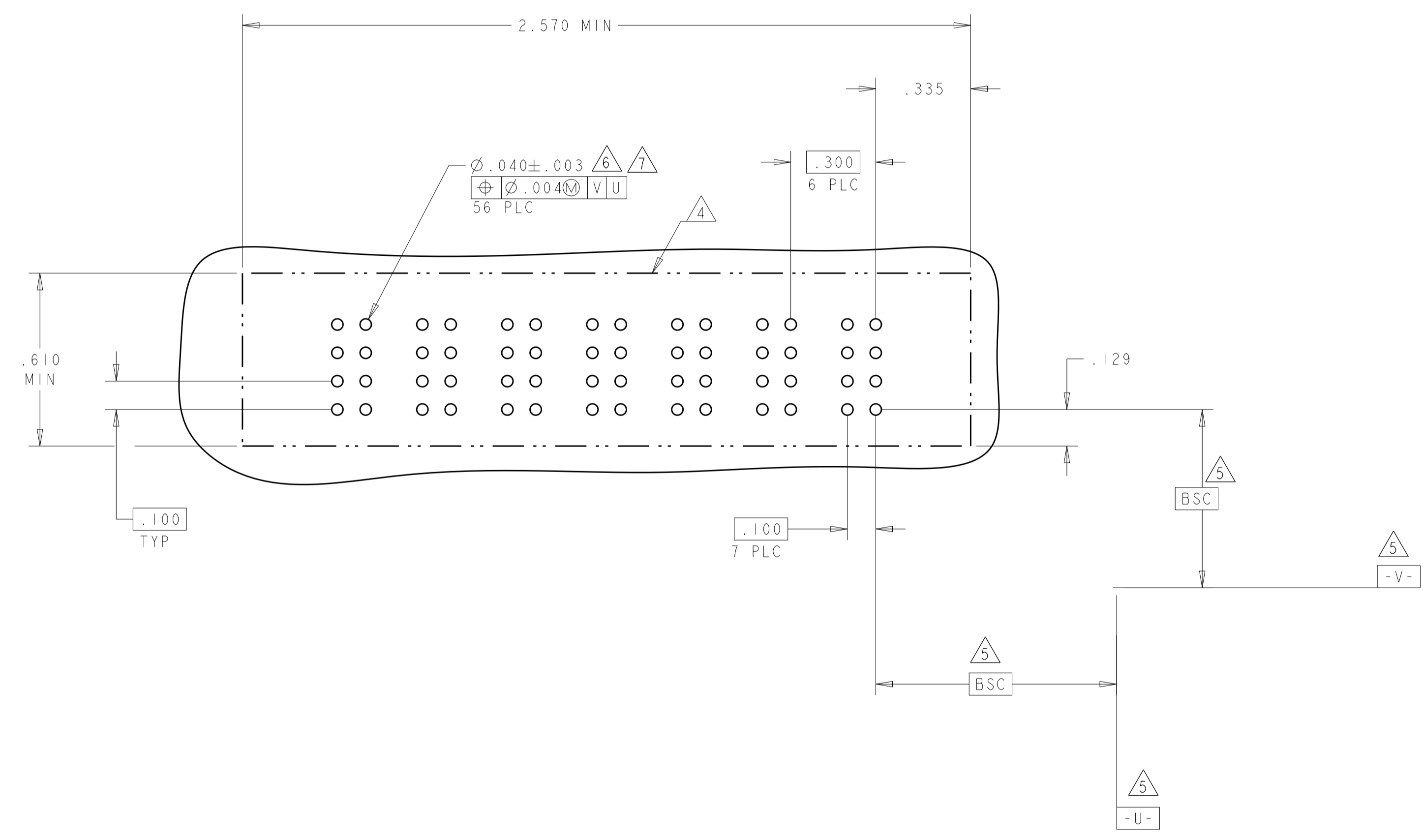
CONTACT TABLE

THIS DRAWING IS A CONTROLLED DOCUMENT.		DMN H. LIU 12JUN2008	TE Connectivity
DIMENSIONS: INCHES		CHK S. ZHAO 12JUN2008	
		APVD S. YAO	NAME VER RECEP ASSEMBLY SHROT GUIDES, PRESS FIT MULTI-BEAM XLE
TOLERANCES UNLESS OTHERWISE SPECIFIED:		PRODUCT SPEC 108-2292	SIZE A100779
0 PLC ±. 1 PLC ±.01 2 PLC ±.01 3 PLC ±.005 4 PLC ±.0020 ANGLES ±.020 FINISH		APPLICATION SPEC 114-13038	DRAWING NO C=6450863
MATERIAL		WEIGHT	RESTRICTED TO
CUSTOMER DRAWING		SCALE N/A	SHEET 2 OF 6
		REV B5	

LOC	DIST	REVISIONS			
P	LTN	DESCRIPTION	DATE	DMN	APVD
ES	00	SEE SHEET 1			

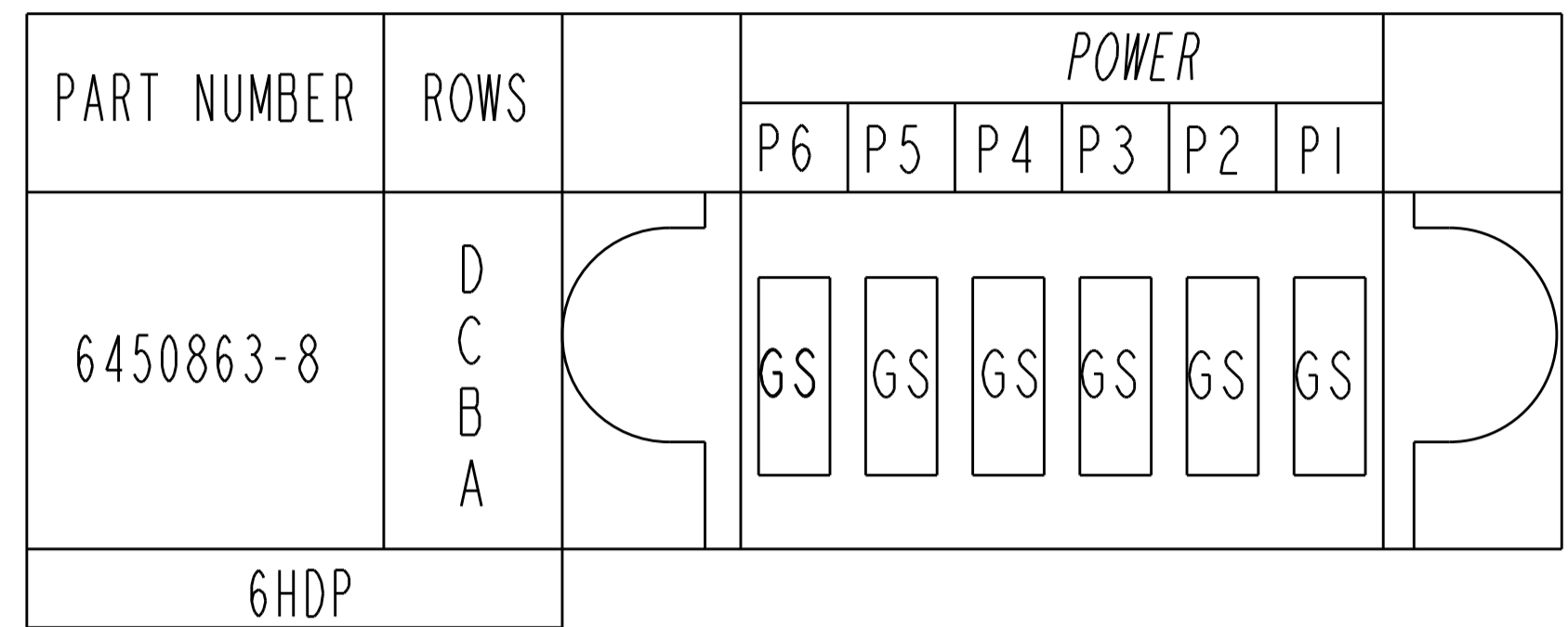
PART NUMBER	ROWS	POWER						
		P7	P6	P5	P4	P3	P2	P1
6450863-5	D C B A	GS	GS	GS	GS	GS	GS	GS
7ACP								

PART NUMBER	ROWS	POWER						
		P7	P6	P5	P4	P3	P2	P1
6450863-6	D C B A	GS	GS	GS		GS	GS	GS
7HDP								

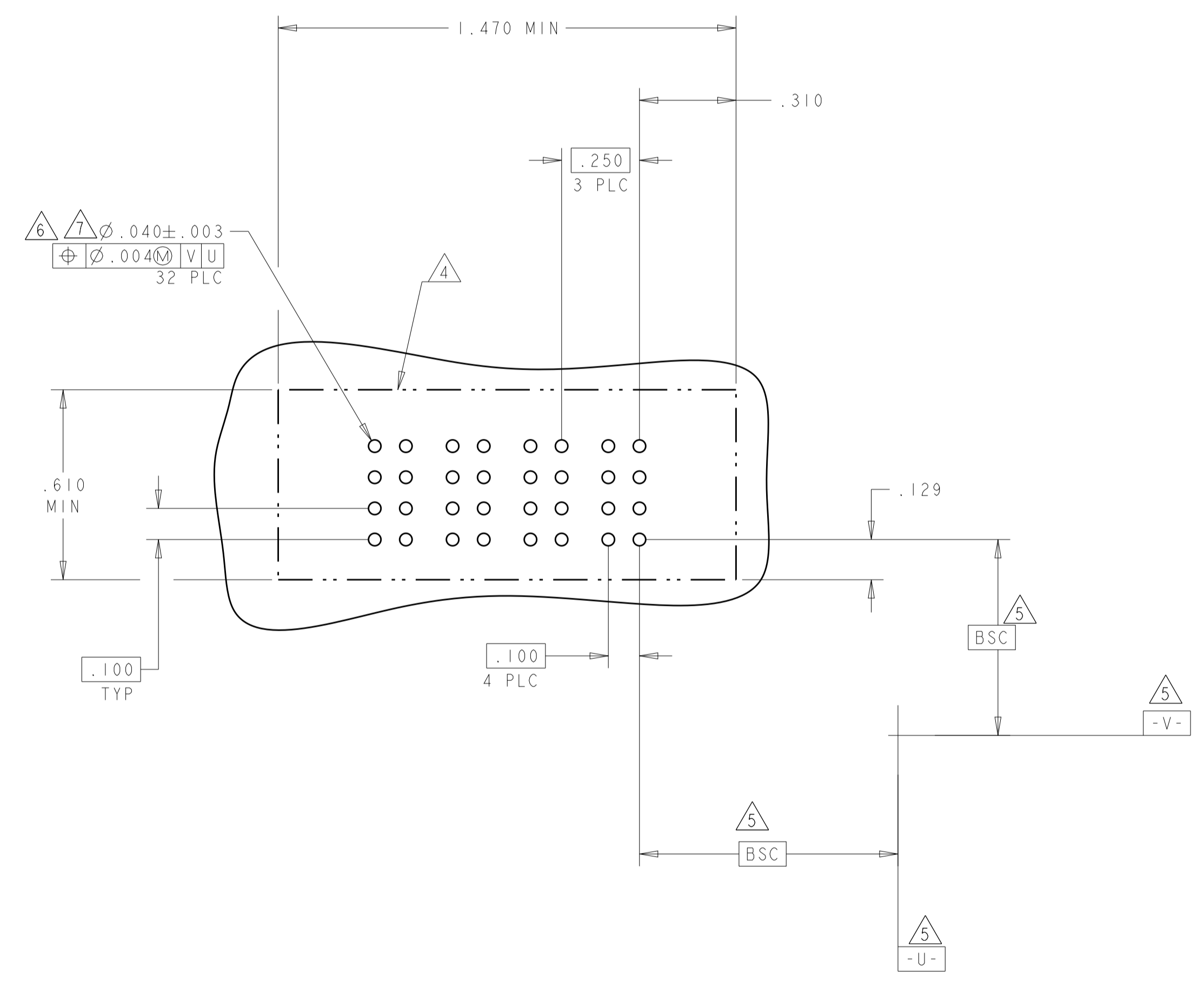
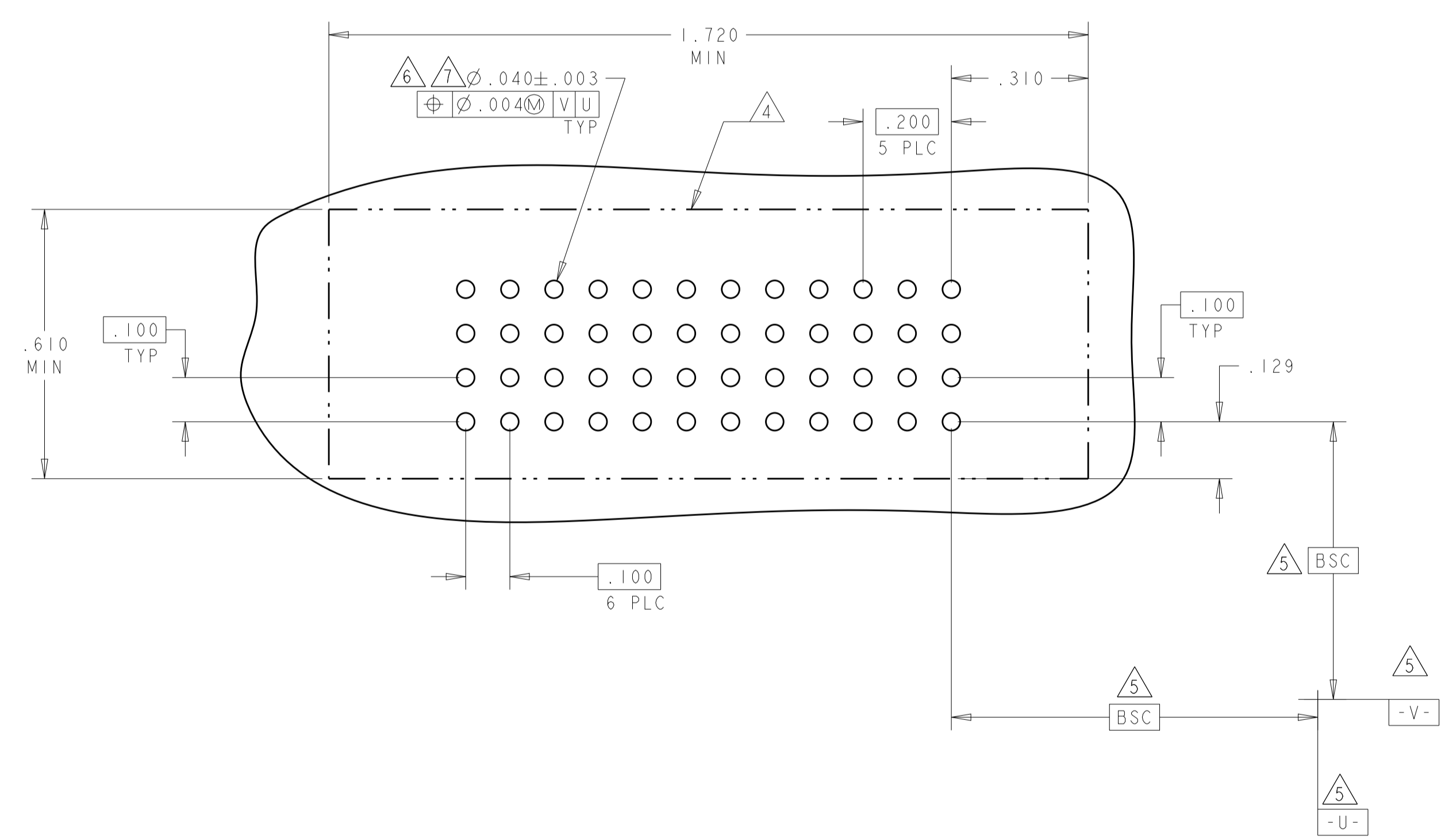
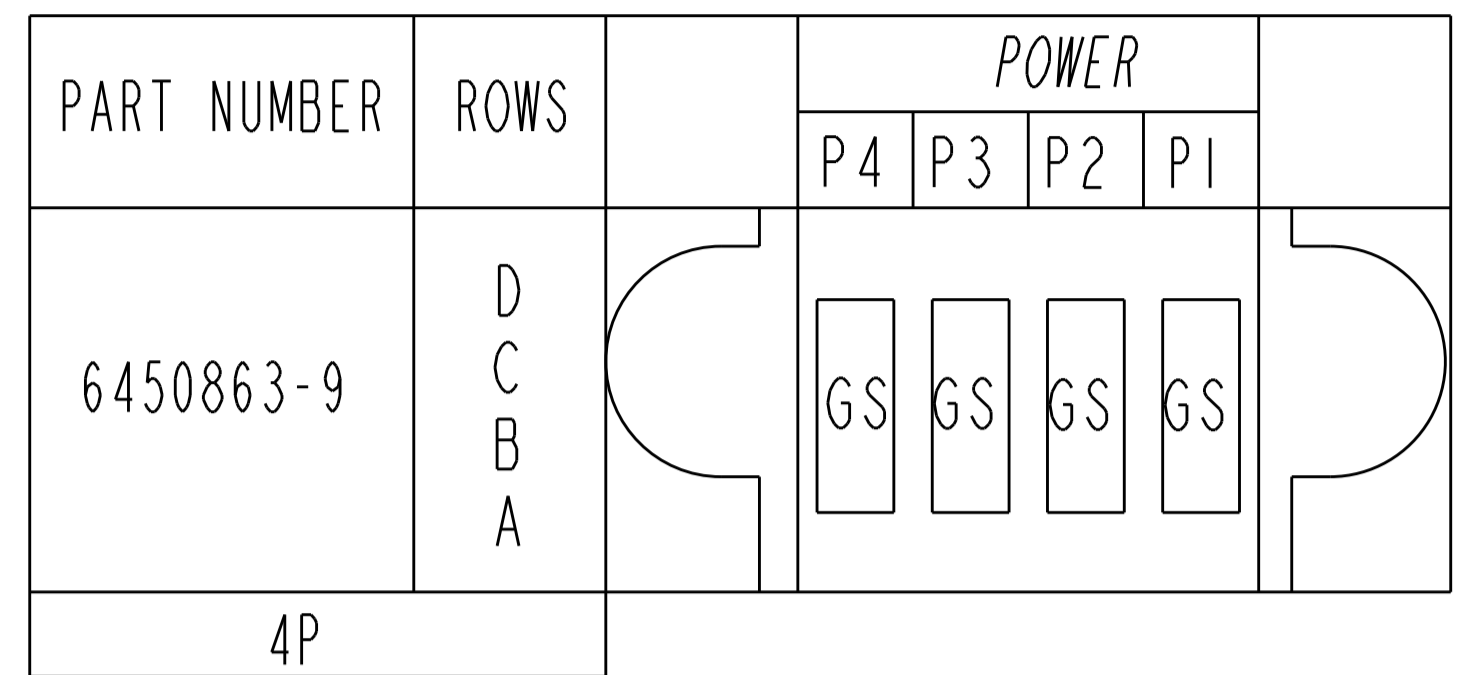


THIS DRAWING IS A CONTROLLED DOCUMENT.		DMN: H. LIU 12JUN2008	 TE Connectivity
DIMENSIONS: INCHES		CHK: S. ZHAO 12JUN2008	
TOLERANCES UNLESS OTHERWISE SPECIFIED:		APVD: S. YAO	NAME: VER RECEP ASSEMBLY SHROT GUIDES, PRESS FIT MULTI-BEAM XLE
0 PLC ± 1 PLC ±.01 2 PLC ±.01 3 PLC ±.005 4 PLC ±.0020 ANGLES ±.2°		PRODUCT SPEC: 108-2292	SIZE: A1
MATERIAL: -		APPLICATION SPEC: 114-13038	CAGE CODE: 6450863
FINISH: -		WEIGHT: -	RESTRICTED TO: -
		CUSTOMER DRAWING	SCALE: N/A SHEET 4 OF 6 REV: B5

LOC	DIST	REVISIONS			
P	LTN	DESCRIPTION	DATE	DMN	APVD
ES	00	SEE SHEET 1			



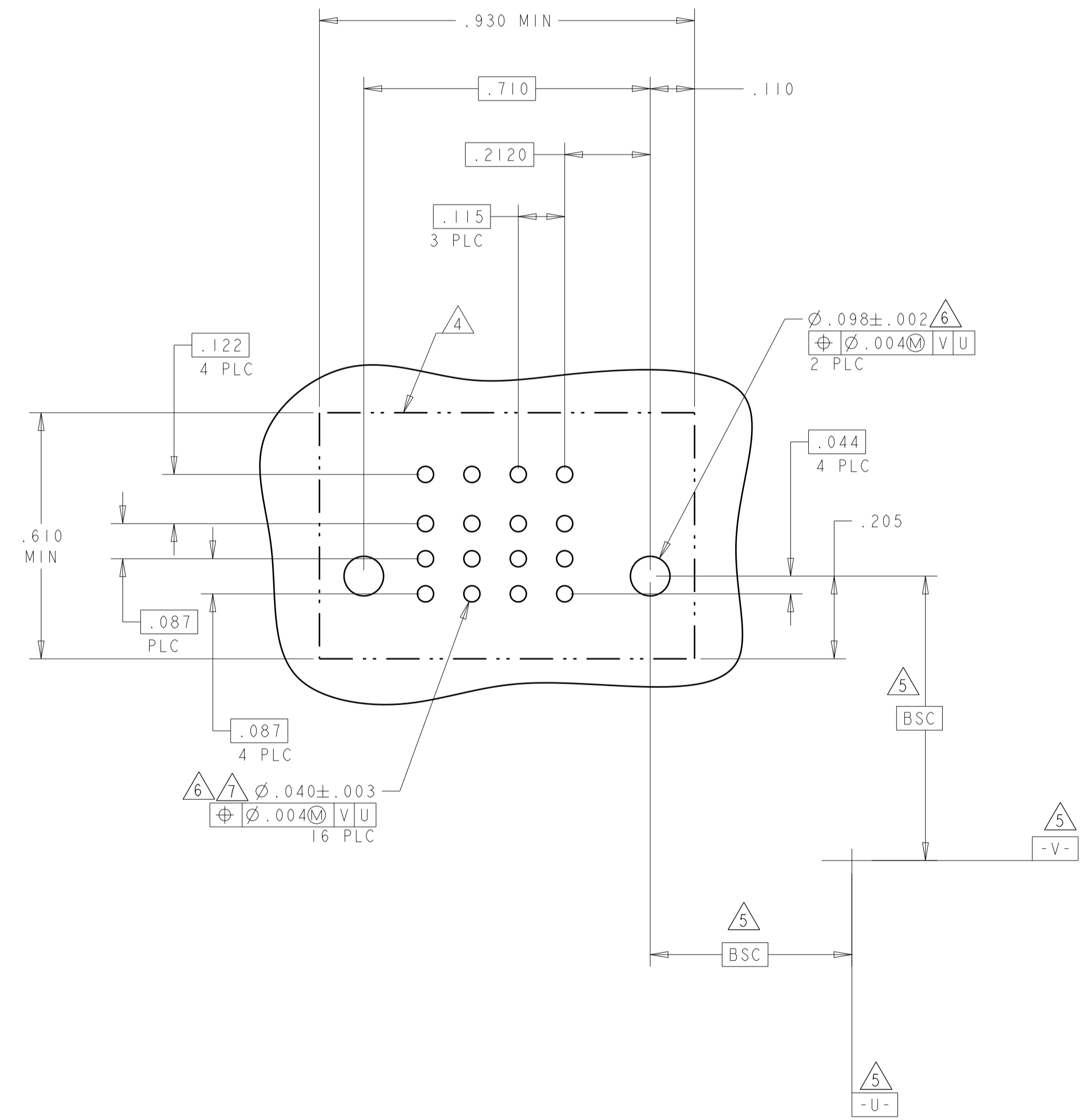
(B3)



THIS DRAWING IS A CONTROLLED DOCUMENT.		DMN: H. LIU 12JUN2008	TE Connectivity
DIMENSIONS: INCHES		CHK: S. ZHAO 12JUN2008	
TOLERANCES UNLESS OTHERWISE SPECIFIED:		APVD: S. YAO	NAME: VER RECEP ASSEMBLY SHROT GUIDES, PRESS FIT MULTI-BEAM XLE
0 PLC ±. 1 PLC ±.01 2 PLC ±.01 3 PLC ±.005 4 PLC ±.0020 ANGLES ±.2°		PRODUCT SPEC: 108-2292	SIZE: A1
MATERIAL: -		APPLICATION SPEC: 114-13038	CAGE CODE: 6450863
FINISH: -		WEIGHT: -	RESTRICTED TO: -
CUSTOMER DRAWING		SCALE: N/A	SHEET 5 OF 6 REV: B5

LOC	DIST	REVISIONS					
		P	LTN	DESCRIPTION	DATE	DWN	APVD
ES	00	-	-	SEE SHEET 1	-	-	-

PART NUMBER	POWER			
	LP4	LP3	LP2	LP1
I-6450863-1	LSI	LSI	LSI	LSI
4 LP				



THIS DRAWING IS A CONTROLLED DOCUMENT.		DWN H. LIU 12JUN2008	TE Connectivity
DIMENSIONS: INCHES		CHK S. ZHAO 12JUN2008	
TOLERANCES UNLESS OTHERWISE SPECIFIED: 0 PLC ±. 1 PLC ±. 2 PLC ±.01 3 PLC ±.005 4 PLC ±.0020 ANGLES ±.2°		APVD S. YAO	NAME VER RECEP ASSEMBLY SHROT GUIDES, PRESS FIT MULTI-BEAM XLE
MATERIAL		PRODUCT SPEC 108-2292	SIZE A100779
FINISH		APPLICATION SPEC 114-13038	CAGE CODE C=6450863
CUSTOMER DRAWING		WEIGHT	RESTRICTED TO
SCALE N/A		SHEET 6 OF 6	REV B5