



Chipsmall Limited consists of a professional team with an average of over 10 year of expertise in the distribution of electronic components. Based in Hongkong, we have already established firm and mutual-benefit business relationships with customers from,Europe,America and south Asia,supplying obsolete and hard-to-find components to meet their specific needs.

With the principle of “Quality Parts,Customers Priority,Honest Operation,and Considerate Service”,our business mainly focus on the distribution of electronic components. Line cards we deal with include Microchip,ALPS,ROHM,Xilinx,Pulse,ON,Everlight and Freescale. Main products comprise IC,Modules,Potentiometer,IC Socket,Relay,Connector.Our parts cover such applications as commercial,industrial, and automotives areas.

We are looking forward to setting up business relationship with you and hope to provide you with the best service and solution. Let us make a better world for our industry!



Contact us

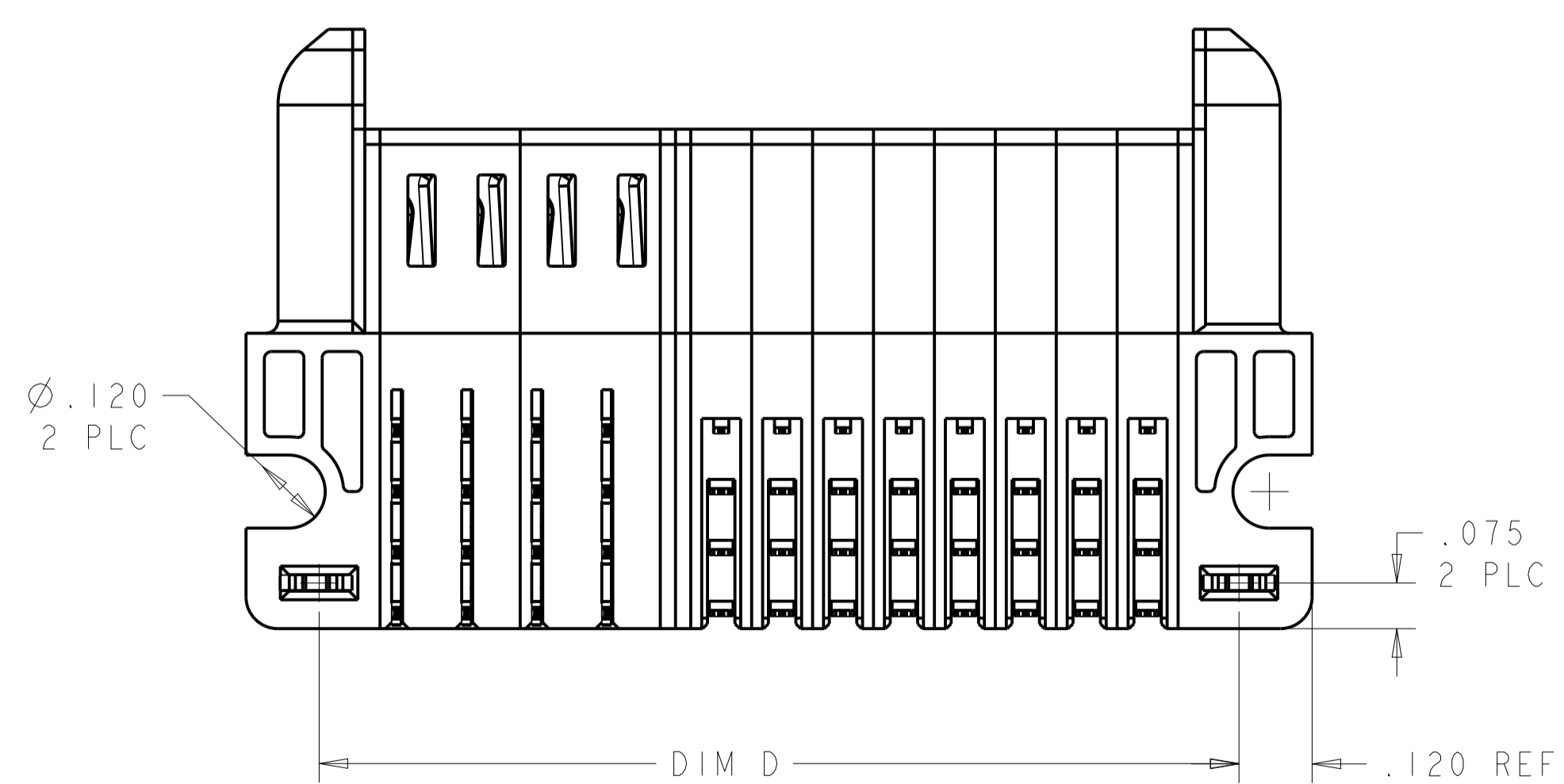
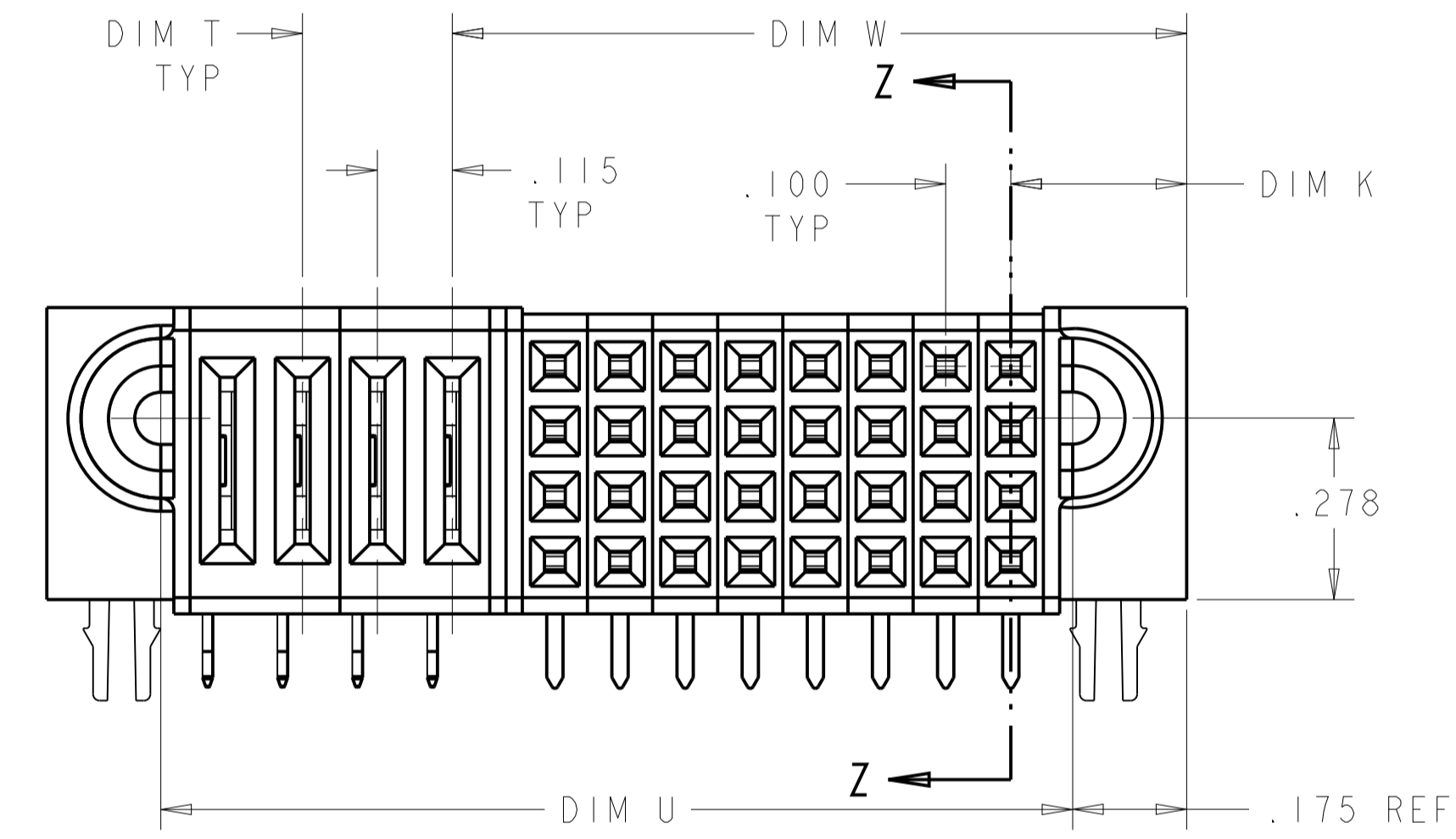
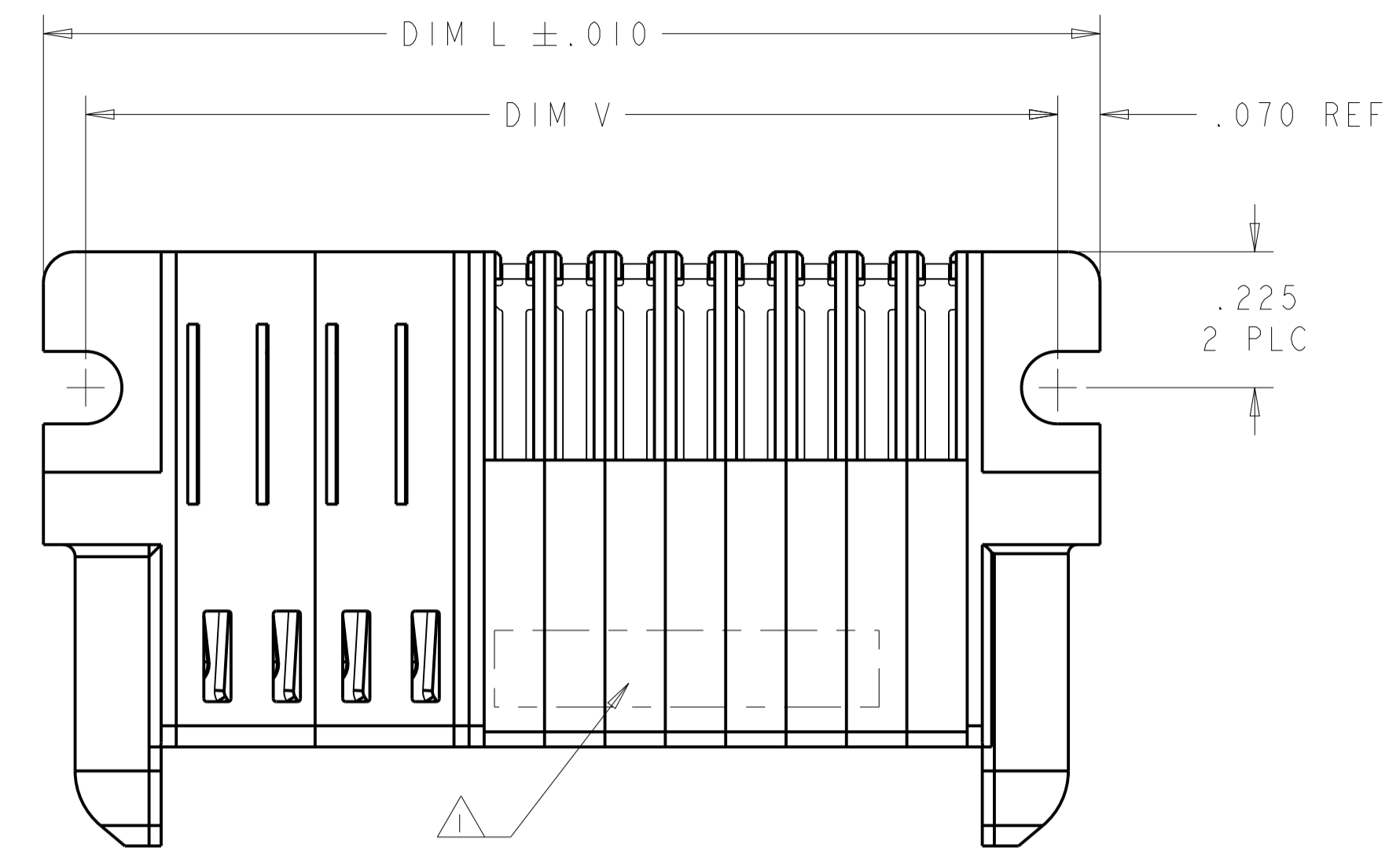
Tel: +86-755-8981 8866 Fax: +86-755-8427 6832

Email & Skype: info@chipsmall.com Web: www.chipsmall.com

Address: A1208, Overseas Decoration Building, #122 Zhenhua RD., Futian, Shenzhen, China



REVISONS		DATE	BY	APPV
C9	ADD NEW DASH NUMBER 1-4 AND 1-5	05DEC2013	CZ	SZ
D	REMOVE "HD" FOR 1-4	31DEC2013	CZ	SZ



1 "AMP", PART NUMBER, AND DATECODE TO BE MARKED IN AREA SHOWN. PARTS UNDER 2.00 LONG MAY BE MARKED ON BOTH SIDES.

2 MATERIAL: HOUSING - GLASS FILLED HIGH TEMP THERMO PLASTIC, BLACK, UL94 V-0
 SIGNAL CONTACT - COPPER ALLOY
 POWER CONTACT - HIGH CONDUCTIVITY COPPER ALLOY

3 CONTACT PLATING: NOBLE METAL PLATING ON CONTACT FUNCTIONAL AREA OF POWER AND SIGNAL CONTACTS.

4 MECHANICAL CONNECTOR KEEP OUT ZONE.

5 DATUM AND BASIC DIMENSIONS ESTABLISHED BY CUSTOMER.

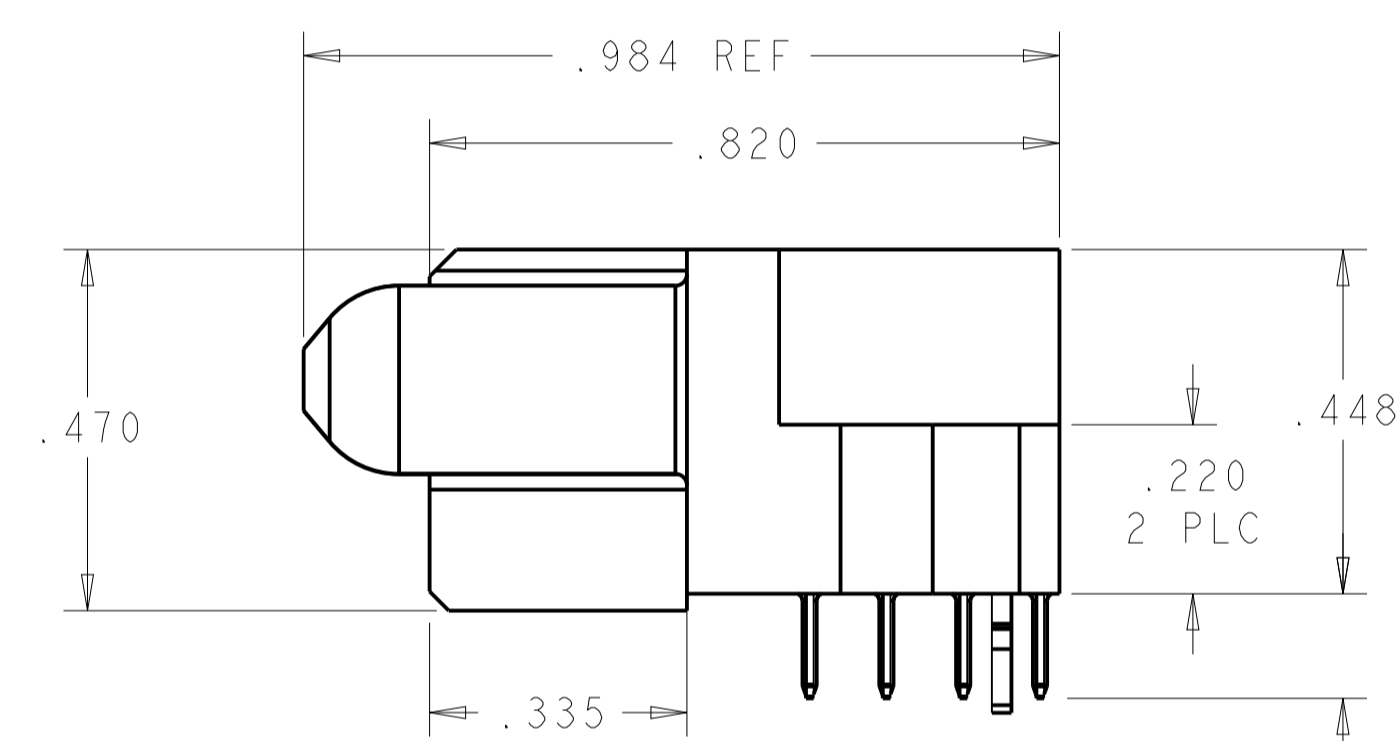
6 PCB - HOLE DIAMETERS ARE FINISHED HOLE SIZE.

7 PCB - .0453±.0010 DRILLED HOLES PLATED WITH .0003 MIN Sn OVER .001 TO .003 Cu PLATING TO ACHIEVE A .040 DIA HOLE.

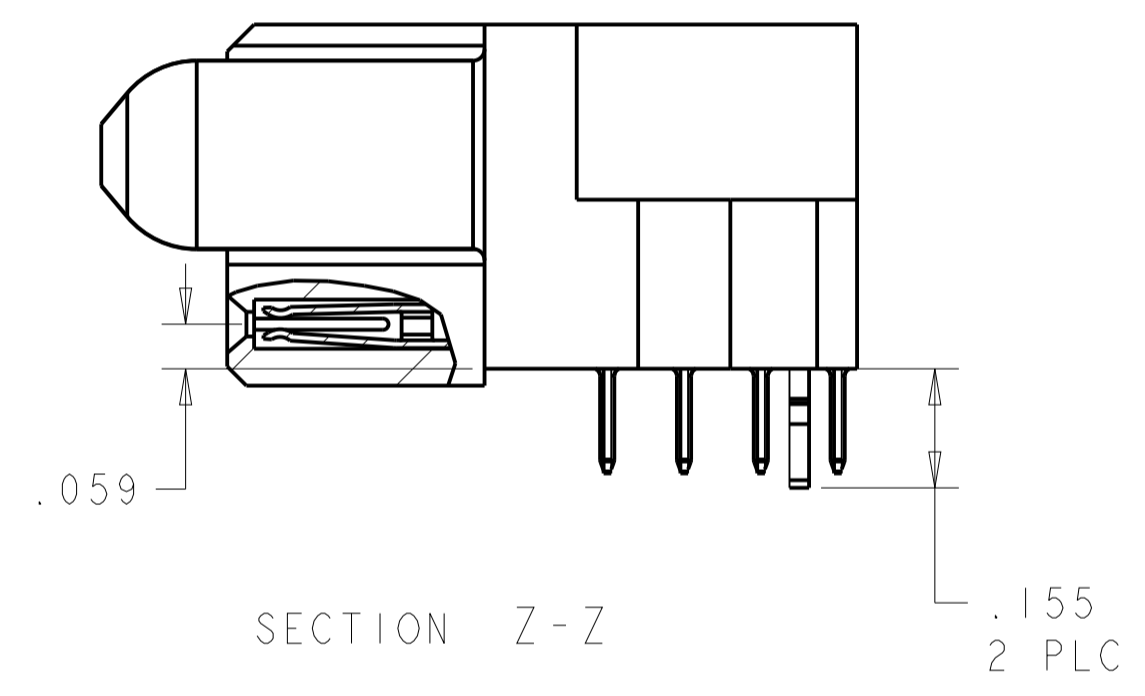
8 FOR 'S+P' CONFIGURATION VARIABLE DIMENSION SHOW ON THE SHEET TWO.

9 POWER CONTACT AREA LUBRICATED WITH LUBRICANT

10 VARIABLE DIMENSIONS PLEASE SEE TABLE.



.135±.015
TAIL LENGTH
TYP



.250	1.900	1.690	-	.945	1.800	.270	2.040	24S + 4P	1-6450871-5
.200	2.350	2.140	-	.745	-	.270	2.490	16S + 8HDP	1-6450871-4
.600	3.550	3.340	-	1.220	3.450	.270	3.690	32S + 8ACP	1-6450871-3
.300	2.350	2.140	-	1.220	2.250	.270	2.490	32S + 4ACP	1-6450871-2
.200	3.325	3.115	-	.945	3.225	.270	3.465	24S + 12HDP	1-6450871-1
.250	2.275	2.065	-	.845	2.175	.270	2.415	20S + 6P	1-6450871-0
.300	2.525	2.315	-	.845	2.425	.270	2.665	20S + 6ACP	6450871-9
.250	3.200	2.990	-	.770	3.100	.295	3.340	16S + 10P	6450871-8
-	.700	.490	-	-	.600	.270	.840	16S	6450871-7
.225	3.350	3.140	-	1.145	3.250	.270	3.490	32S + 10P	6450871-6
10	3.400	3.190	-	1.170	3.300	.270	3.540	32S + 10P	6450871-5
.250	2.425	2.215	-	.970	-	.295	2.565	24S + 6P	6450871-4
.250	2.925	2.715	-	.970	2.825	.295	3.065	24S + 8P	6450871-3
.250	2.425	2.215	-	.970	2.325	.295	2.565	24S + 6P	6450871-2
-	1.610	1.400	.230	1.1275	1.510	.270	1.750	32S + 4LP	6450871-1
DIM S	DIM V	DIM U	DIM T	DIM W	DIM D	DIM K	DIM L	DESCRIPTION	PART NUMBER

THIS DRAWING IS A CONTROLLED DOCUMENT. DWN: C.ZHOU 02AUG2013
 CHK: S.ZHAO 02AUG2013

DIMENSIONS: INCH TOLERANCES UNLESS OTHERWISE SPECIFIED:
 0 PLC ±.010
 1 PLC ±.015
 2 PLC ±.020
 3 PLC ±.030
 4 PLC ±.050
 ANGLES ±.0020

MATERIAL: FINISH:

PRODUCT SPEC: 108-2292
 APPLICATION SPEC: 114-13251
 WEIGHT: CUSTOMER DRAWING

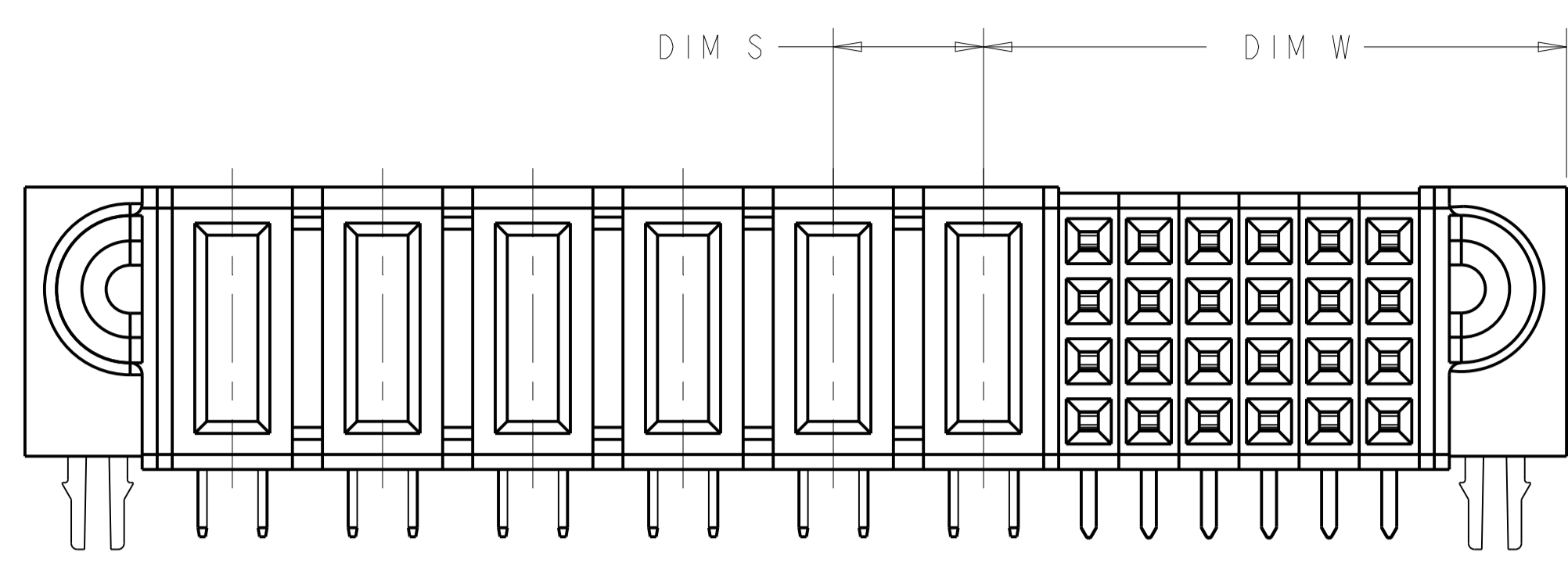
NAME: RIGHT ANGLE RECEPTACLE WITH LP AND SHORT END MODULAR MULTI-BEAM XLE
 SIZE: A1
 CAGE CODE: 100779
 DRAWING NO: 6450871

SCALE: 1:1 SHEET 1 OF 10 REV: 1

STE TE Connectivity

THIS DRAWING IS UNPUBLISHED. RELEASED FOR PUBLICATION 20
 © COPYRIGHT 20 BY - ALL RIGHTS RESERVED.

LOC		DIST		REVISIONS			
				REV	DATE	BY	APPV
-	-	-	-	-	-	-	-
-	-	-	-	-	SEE SHEET 1	-	-
-	-	-	-	-	-	-	-
-	-	-	-	-	-	-	-



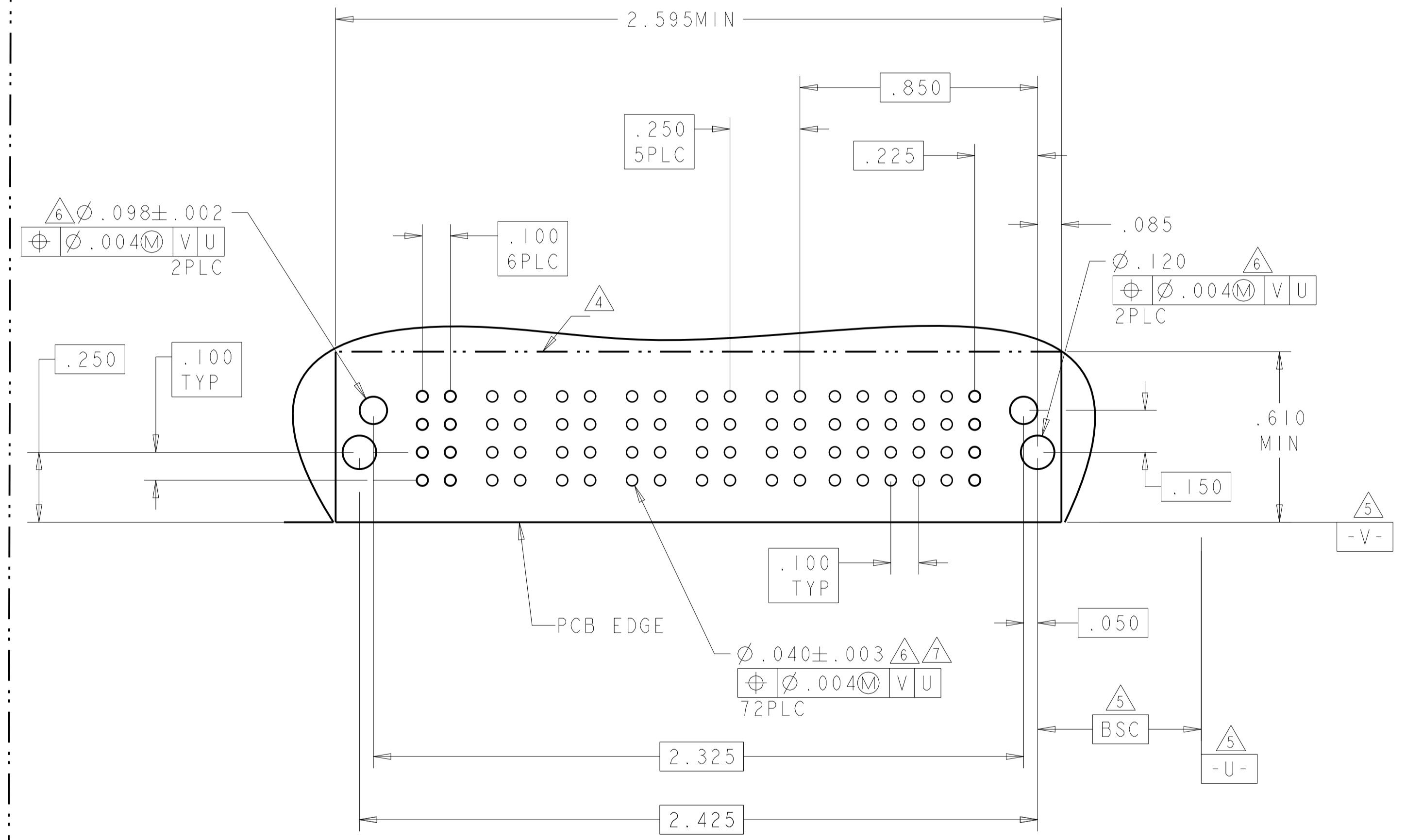
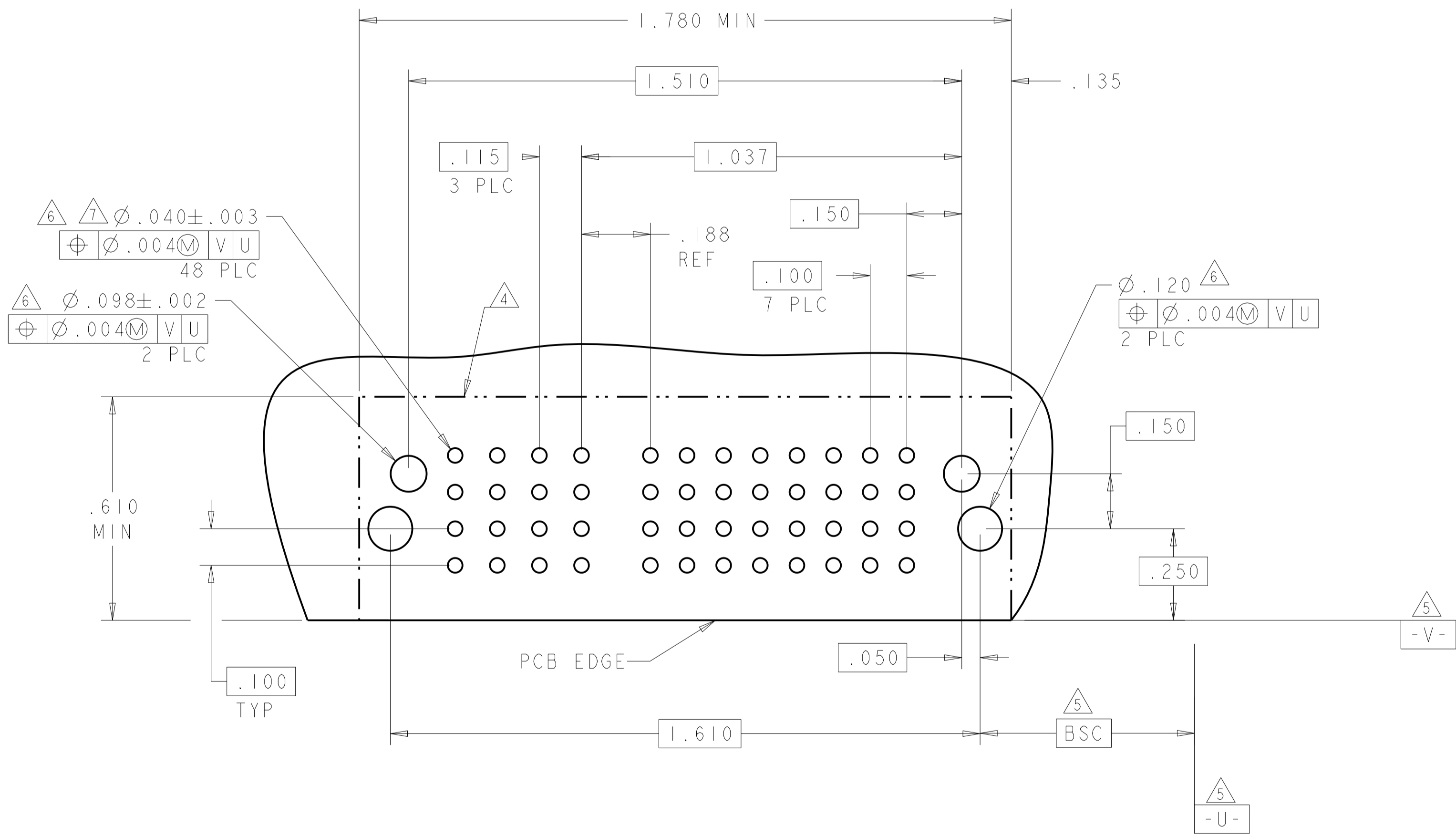
⚠ FOR "S+P" CONFIGURATION UNSPECIFIED DIMENSION REFER TO SHEET ONE

THIS DRAWING IS A CONTROLLED DOCUMENT.		DWN C. ZHOU CHK S. ZHAO	02AUG2013 02AUG2013		
DIMENSIONS: INCH		TOLERANCES UNLESS OTHERWISE SPECIFIED: 0 PLC ± 1 PLC ± 2 PLC ± 3 PLC ±.0050 4 PLC ±.0020 ANGLES ±.2°			
		PRODUCT SPEC 108-2292 APPLICATION SPEC 114-13251		RIGHT ANGLE RECEPTACLE WITH LP AND SHORT END MODULAR MULTI-BEAM XLE	
MATERIAL	FINISH	WEIGHT		SIZE A100779	RESTRICTED TO
CUSTOMER DRAWING		SCALE 1:1		SHEET 2 OF 10	REV D1

LOC	DIST	REV	DATE	BY	APPV
-	-	1	-	-	-
REVISIONS			DESCRIPTION	DATE	BY
-			SEE SHEET 1	-	-

PART NUMBER	ROWS	POWER				SIGNAL							
		P4	P3	P2	PI	8	7	6	5	4	3	2	1
6450871-1	D C B A	LM	LM	LM	LM	H	H	H	H	H	H	H	H
						G	G	G	G	G	G	G	G
						F	F	F	F	F	F	F	F
						E	E	E	E	E	E	E	E
32S + 4LP													

PART NUMBER	ROWS	POWER						SIGNAL						
		P6	P5	P4	P3	P2	PI	6	5	4	3	2	1	
6450871-2	D C B A	RM	RM	RM	RM	RM	RM	H	H	H	H	H	H	
								G	G	G	G	G	G	G
								F	F	F	F	F	F	F
								E	E	E	E	E	E	E
24S + 6P														



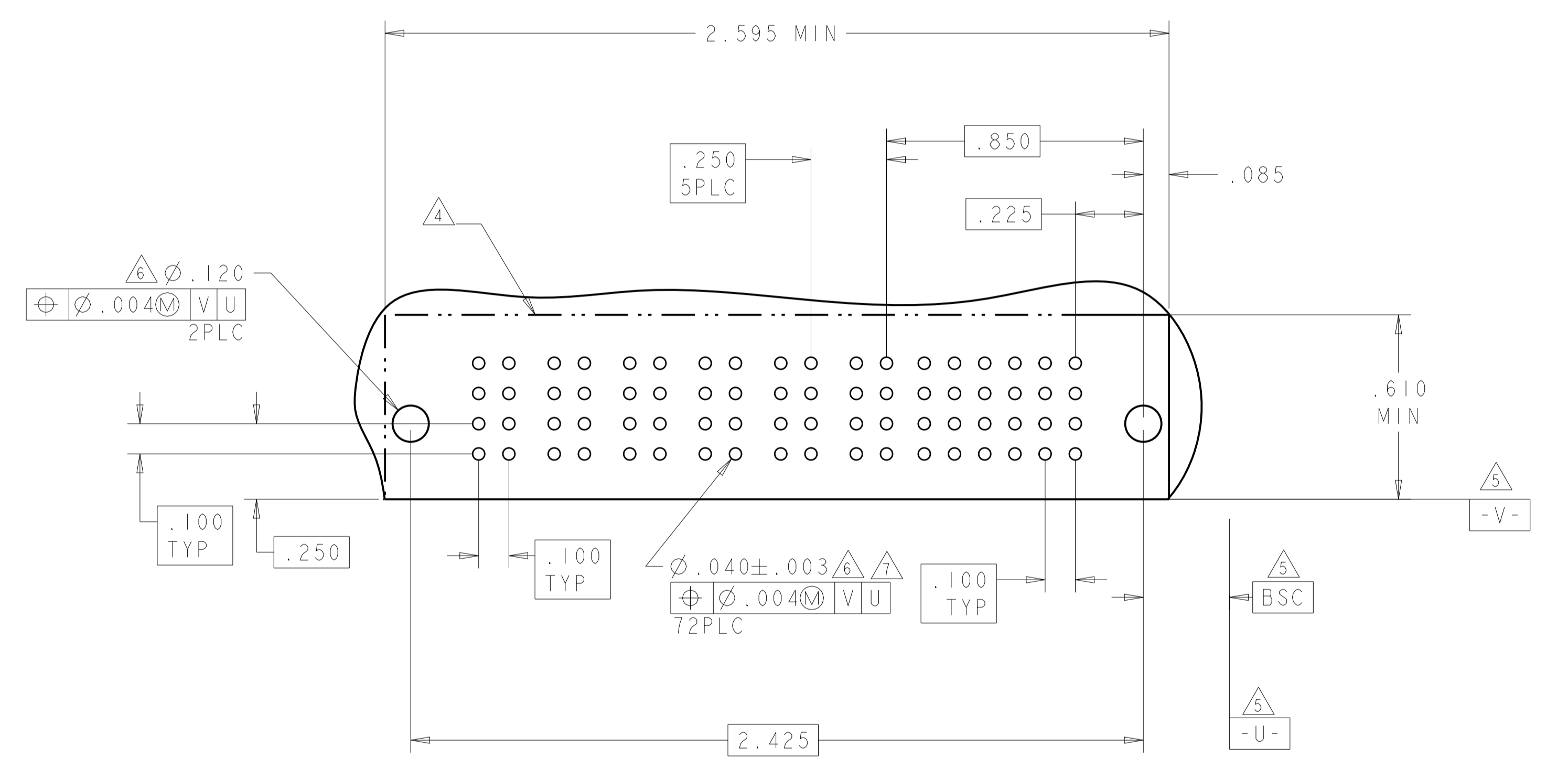
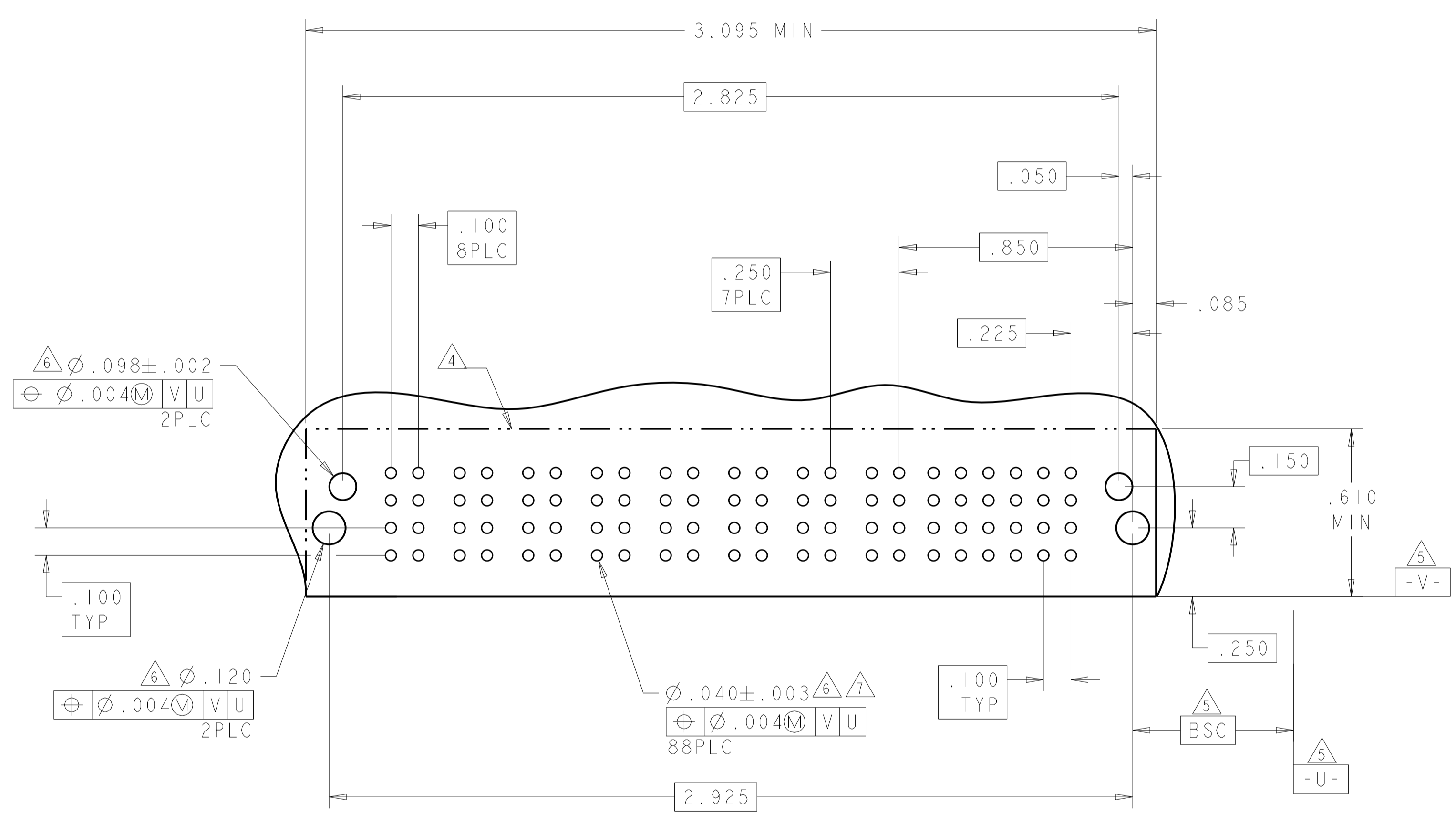
DESCRIPTION	IDENTIFIER
HOLD DOWN	HD
STANDARD SIGNAL CONTACT, .135 TAIL LENGTH, ROW D	H
STANDARD SIGNAL CONTACT, .135 TAIL LENGTH, ROW C	G
STANDARD SIGNAL CONTACT, .135 TAIL LENGTH, ROW B	F
STANDARD SIGNAL CONTACT, .135 TAIL LENGTH, ROW A	E
MFBL POWER CONTACT, .135 TAIL LENGTH	RA
STD POWER CONTACT, .135 TAIL LENGTH	RM
LOWER POWER CONTACT, .135 TAIL LENGTH	LM

THIS DRAWING IS A CONTROLLED DOCUMENT.		OWN: C. ZHOU 02AUG2013	 TE Connectivity
DIMENSIONS: INCH		CHK: S. ZHAO 02AUG2013	
TOLERANCES UNLESS OTHERWISE SPECIFIED:		APVD: -	NAME: RIGHT ANGLE RECEPTACLE WITH LP AND SHORT END MODULAR MULTI-BEAM XLE
0 PLC ± 1 PLC ± 2 PLC ± 3 PLC ±.0050 4 PLC ±.0020 ANGLES ±.0020		PRODUCT SPEC: 108-2292	SIZE: CAGE CODE DRAWING NO: 114-13251
MATERIAL: -		APPLICATION SPEC: -	RESTRICTED TO: -
FINISH: -		WEIGHT: -	SCALE: 1:1
CUSTOMER DRAWING		REVISION: -	SHEET 3 OF 10

LOC		DIST		REVISIONS			
				REV	DATE	BY	APPV
-	-	-	-	1	SEE SHEET 1	-	-

PART NUMBER	ROWS	POWER								SIGNAL									
		P8	P7	P6	P5	P4	P3	P2	PI	6	5	4	3	2	1				
6450871-3	D C B A	RM	RM	RM	RM	RM	RM	RM	RM	H	H	H	H	H	H				
										G	G	G	G	G	G				
										F	F	F	F	F	F				
										E	E	E	E	E	E				
24S + 8P		HD																HD	

PART NUMBER	ROWS	POWER						SIGNAL									
		P6	P5	P4	P3	P2	PI	6	5	4	3	2	1				
6450871-4	D C B A	RM	RM	RM	RM	RM	RM	H	H	H	H	H	H				
								G	G	G	G	G	G				
								F	F	F	F	F	F				
								E	E	E	E	E	E				
24S + 6P		HD														HD	



THIS DRAWING IS A CONTROLLED DOCUMENT.

DIMENSIONS: INCH	TOLERANCES UNLESS OTHERWISE SPECIFIED:	DWN: C. ZHOU 02AUG2013	CHK: S. ZHAO 02AUG2013	APVD: -	NAME: -
MATERIAL: -	FINISH: -	PRODUCT SPEC: 108-2292	APPLICATION SPEC: 114-13251	WEIGHT: -	SIZE: A1
CUSTOMER DRAWING		CAGE CODE: 6450871		SCALE: 1:1	SHEET 4 OF 10

STE TE Connectivity

RIGHT ANGLE RECEPTACLE WITH LP AND SHORT END MODULAR MULTI-BEAM XLE

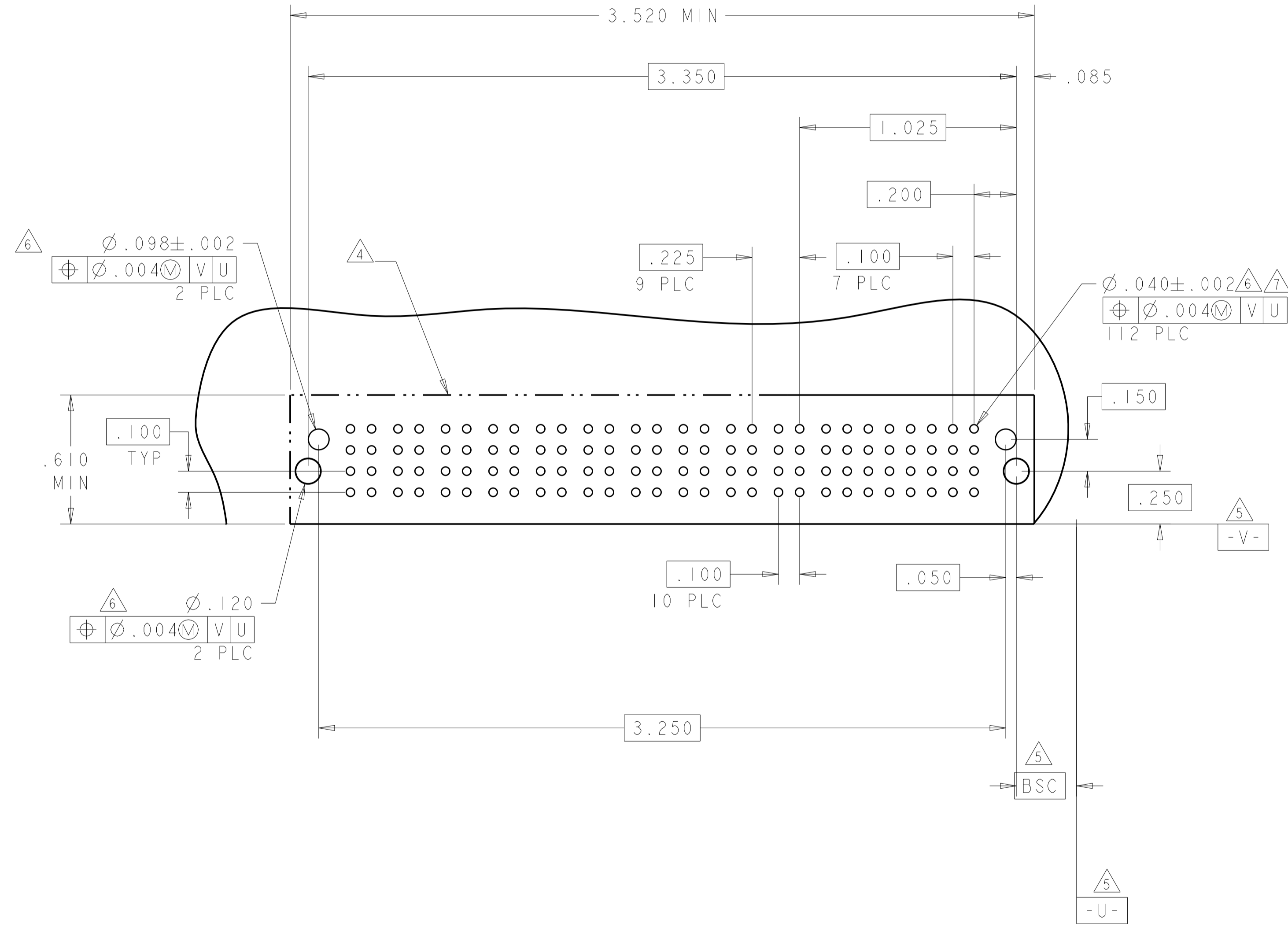
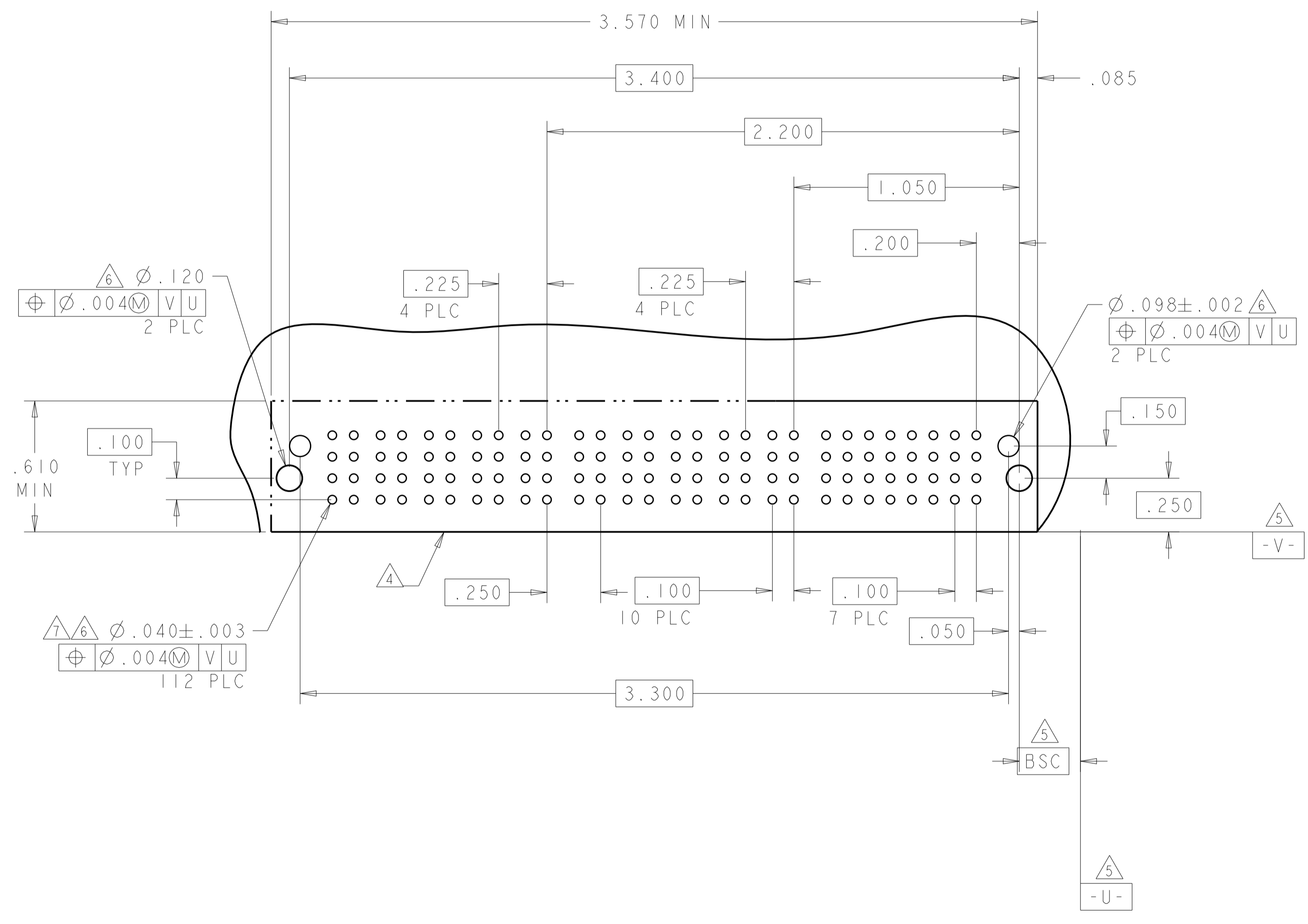
RESTRICTED TO

LOC	DIST	REV	DATE	BY	APVD
-	-	1	-	-	-
REVISIONS			DESCRIPTION	DATE	BY
-			SEE SHEET 1	-	-

PART NUMBER	ROWS	POWER										SIGNAL											
		P10	P9	P8	P7	P6	P5	P4	P3	P2	P1	8	7	6	5	4	3	2	1				
6450871-5	D	RM	RM	RM	RM	RM	RM	RM	RM	RM	RA	H	H	H	H	H	H	H	H				
	C											G	G	G	G	G	G	G	G	G	G	G	
	B											F	F	F	F	F	F	F	F	F	F	F	F
	A											E	E	E	E	E	E	E	E	E	E	E	E
32S + 10P		HD		HD		HD		HD		HD		HD		HD		HD		HD					

PART NUMBER	ROWS	POWER										SIGNAL											
		P10	P9	P8	P7	P6	P5	P4	P3	P2	P1	8	7	6	5	4	3	2	1				
6450871-6	D	RM	RM	RM	RM	RM	RM	RM	RM	RM	RA	H	H	H	H	H	H	H	H				
	C											G	G	G	G	G	G	G	G	G	G	G	
	B											F	F	F	F	F	F	F	F	F	F	F	F
	A											E	E	E	E	E	E	E	E	E	E	E	E
32S + 10P		HD		HD		HD		HD		HD		HD		HD		HD		HD					

Δ .225
8 PLC

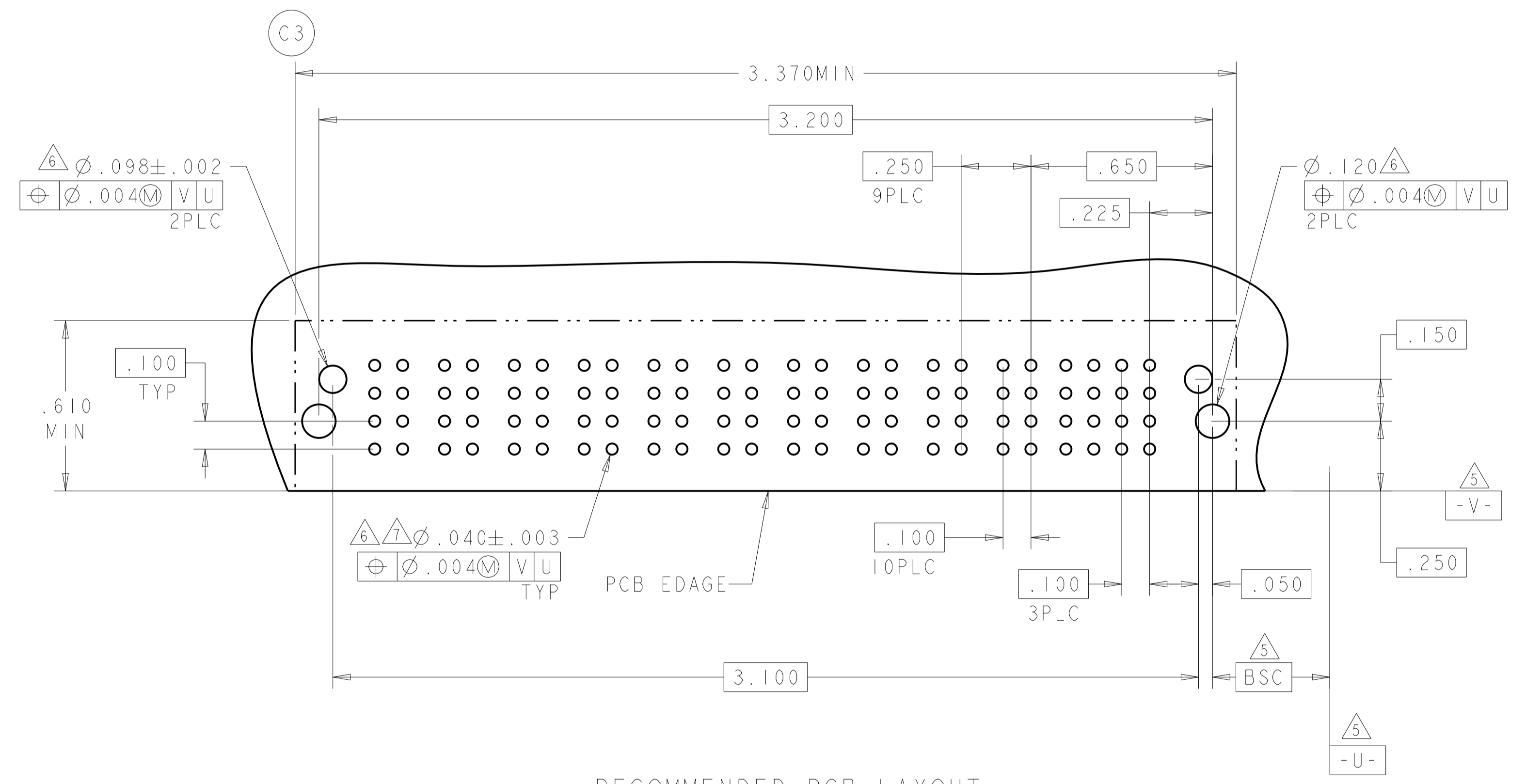
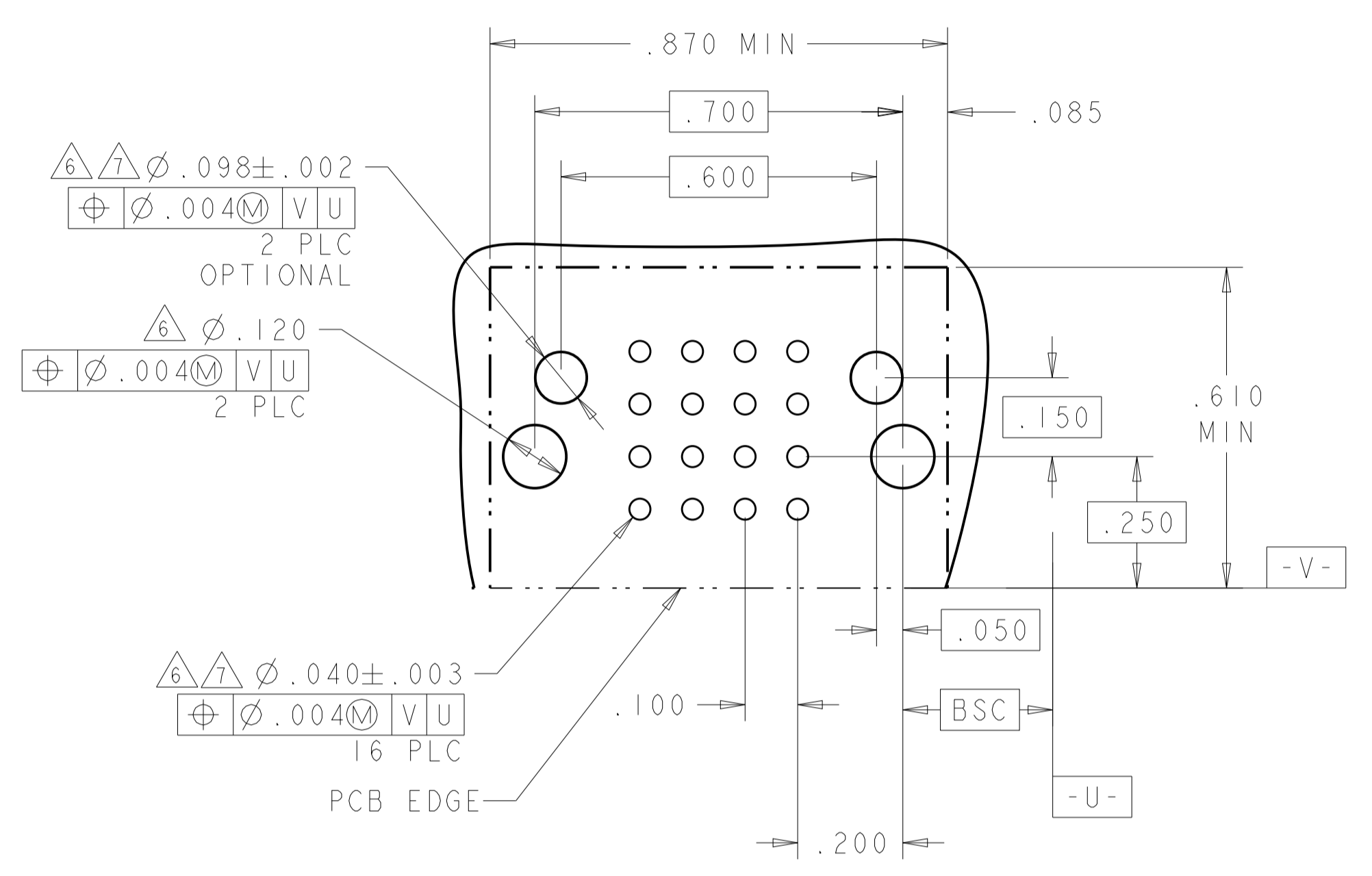


THIS DRAWING IS A CONTROLLED DOCUMENT.		OWN: C. ZHOU 02AUG2013	TE Connectivity
DIMENSIONS: INCH		CHK: S. ZHAO 02AUG2013	
TOLERANCES UNLESS OTHERWISE SPECIFIED:		APVD: -	NAME: RIGHT ANGLE RECEPTACLE WITH LP AND SHORT END MODULAR MULTI-BEAM XLE
0 PLC ± 1 PLC ± 2 PLC ± 3 PLC ±.0050 4 PLC ±.0020 ANGLES ±.020		PRODUCT SPEC: 108-2292	SIZE: A100779
MATERIAL: -		APPLICATION SPEC: 114-13251	DRAWING NO: C=6450871
FINISH: -		WEIGHT: -	CUSTOMER DRAWING
		SCALE: 1:1	SHEET 5 OF 10

LOC		DIST		REVISIONS			
				REV	DATE	BY	APPV
-	-	-	-	1	SEE SHEET 1	-	-

PART NUMBER	ROWS	SIGNAL			
		4	3	2	1
6450871-7	D	H	H	H	H
	C	G	G	G	G
	B	F	F	F	F
	A	E	E	E	E
16S					

PART NUMBER	ROWS	POWER										SIGNAL					
		P10	P9	P8	P7	P6	P5	P4	P3	P2	P1	4	3	2	1		
6450871-8	D	RM	RM	RM	RM	RM	RM	RM	RM	RM	RM	RM	H	H	H	H	
	C	RM	RM	RM	RM	RM	RM	RM	RM	RM	RM	G	G	G	G		
	B	RM	RM	RM	RM	RM	RM	RM	RM	RM	RM	F	F	F	F		
	A	RM	RM	RM	RM	RM	RM	RM	RM	RM	RM	E	E	E	E		
16S + 10P																	



RECOMMENDED PCB LAYOUT

THIS DRAWING IS A CONTROLLED DOCUMENT.		OWN: C. ZHOU 02AUG2013	 TE Connectivity
DIMENSIONS: INCH		CHK: S. ZHAO 02AUG2013	
TOLERANCES UNLESS OTHERWISE SPECIFIED:		APVD: -	NAME: RIGHT ANGLE RECEPTACLE WITH LP AND SHORT END MODULAR MULTI-BEAM XLE
0 PLC ±		PRODUCT SPEC: 108-2292	SIZE: 114-13251
1 PLC ±		APPLICATION SPEC: 114-13251	WEIGHT: -
2 PLC ±		REVISIONS: -	CAGE CODE: -
3 PLC ±		DATE: -	DRAWING NO: 6450871
4 PLC ±		SCALE: 1:1	SHEET 6 OF 10
ANGLES ±		CUSTOMER DRAWING	REV: D1
FINISH: -			

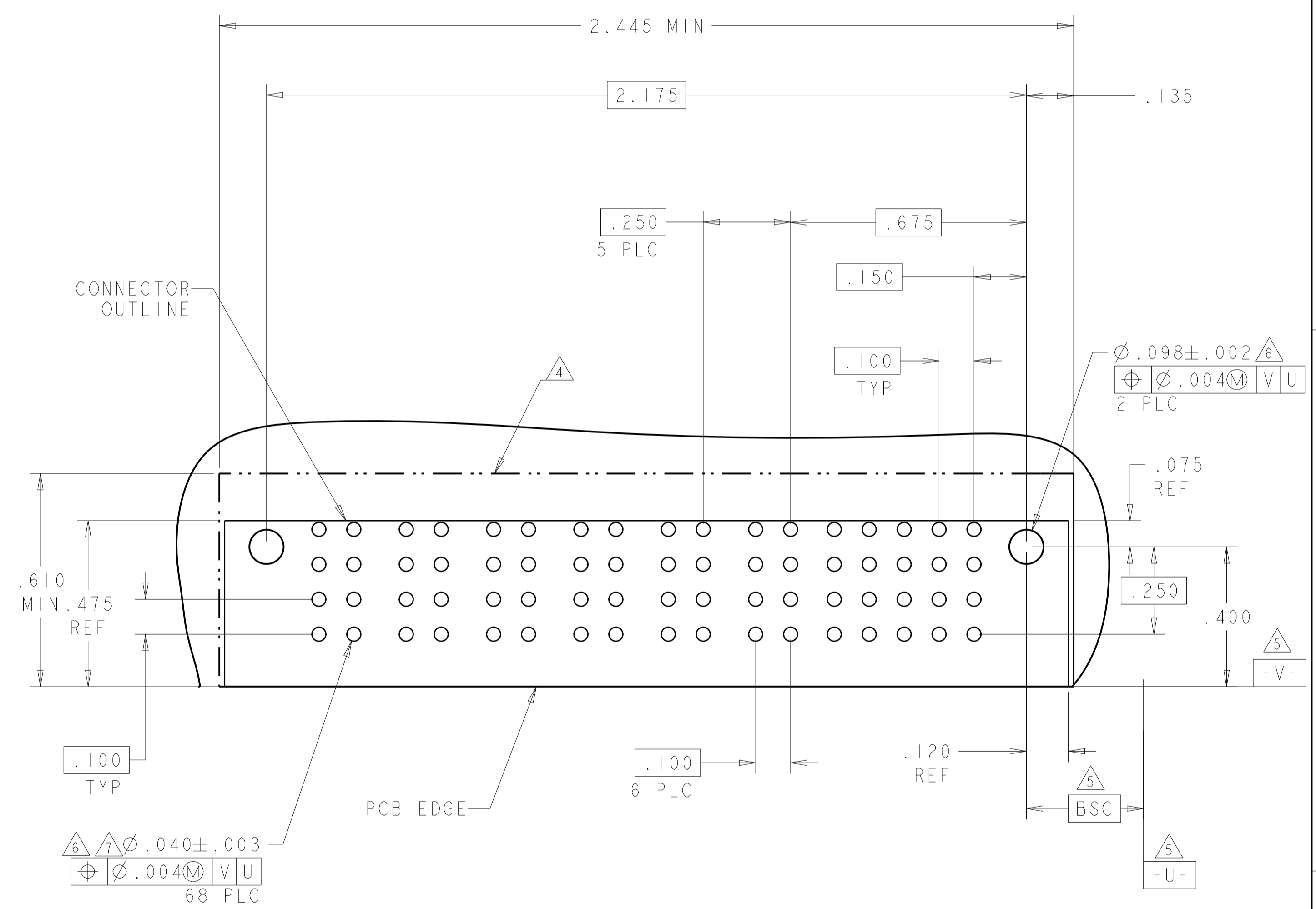
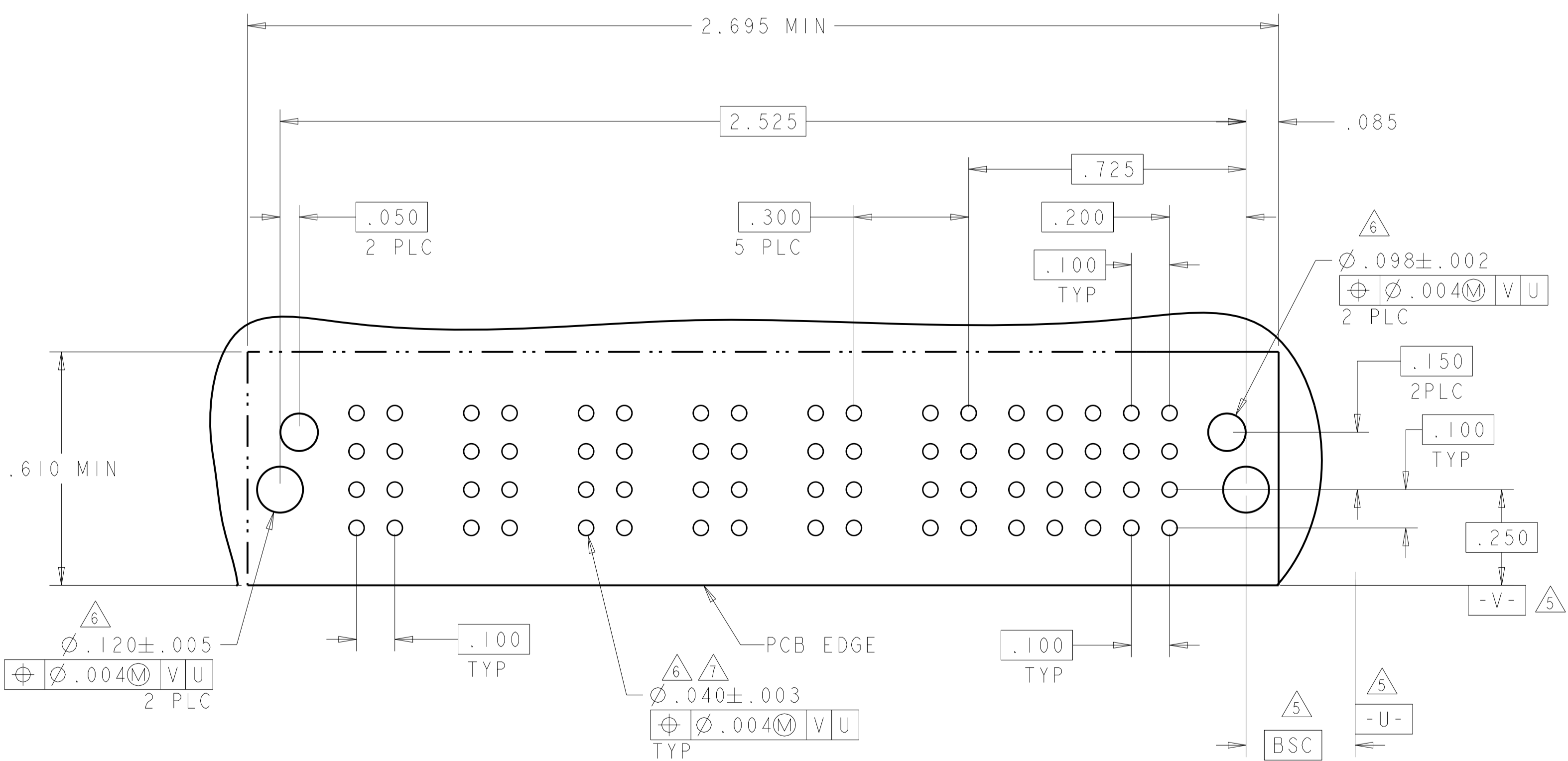
LOC	DIST	REV	DATE	BY	APPR
-	-	1	-	-	-
DESCRIPTION			DATE	BY	APPR
SEE SHEET 1			-	-	-

PART NUMBER	ROWS	POWER						SIGNAL				
		P6	P5	P4	P3	P2	P1	5	4	3	2	1
6450871-9	D	RM	RM	RA	RA	RA	RA	H	H	H	H	H
	C							G	G	G	G	G
	B							F	F	F	F	F
	A							E	E	E	E	E

20S + 6P

PART NUMBER	ROWS	POWER						SIGNAL				
		P6	P5	P4	P3	P2	P1	5	4	3	2	1
I-6450871-0	D	RM	RM	RA	RA	RA	RA	H	H	H	H	H
	C							G	G	G	G	G
	B							F	F	F	F	F
	A							E	E	E	E	E

20S + 6P

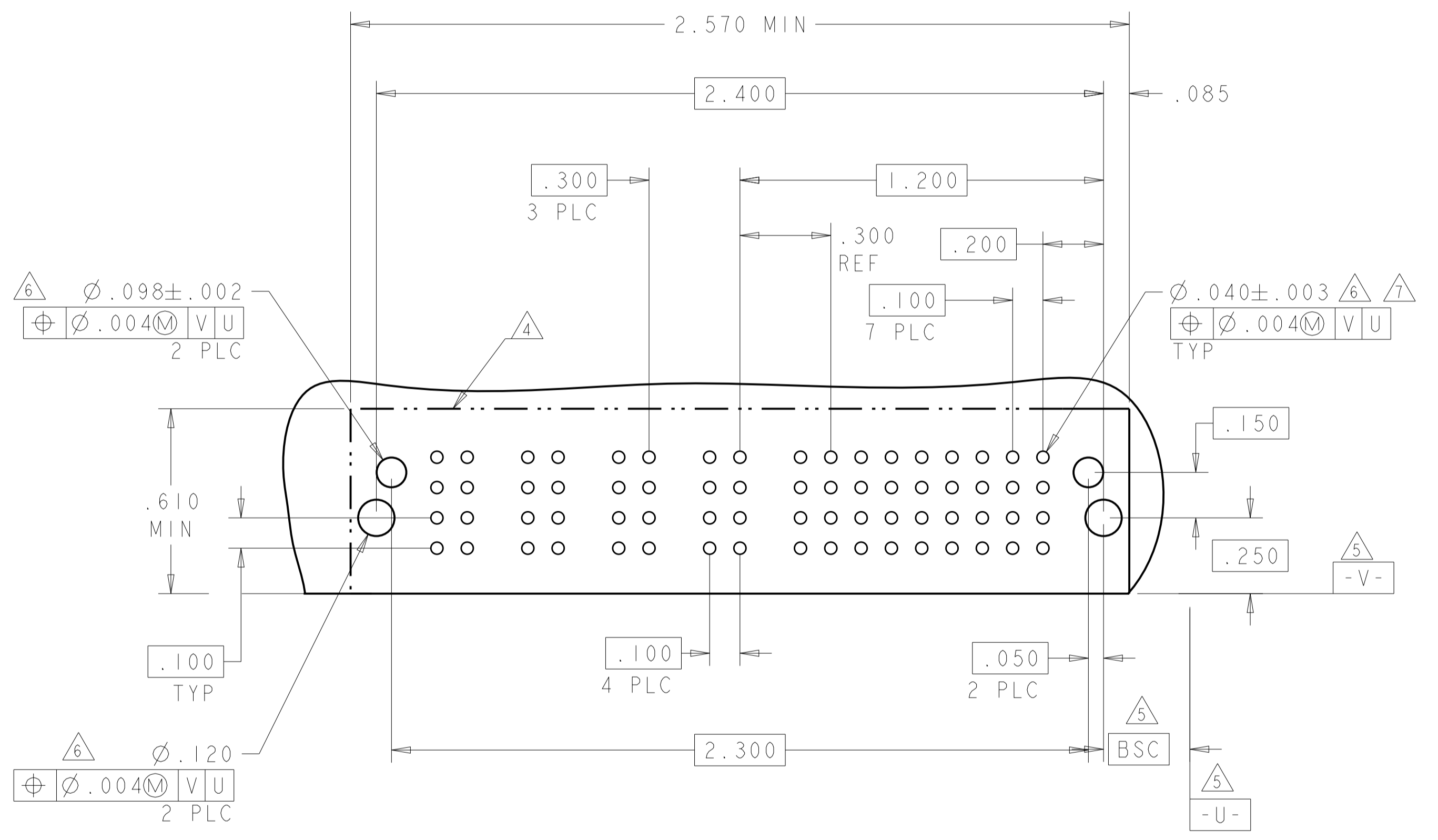
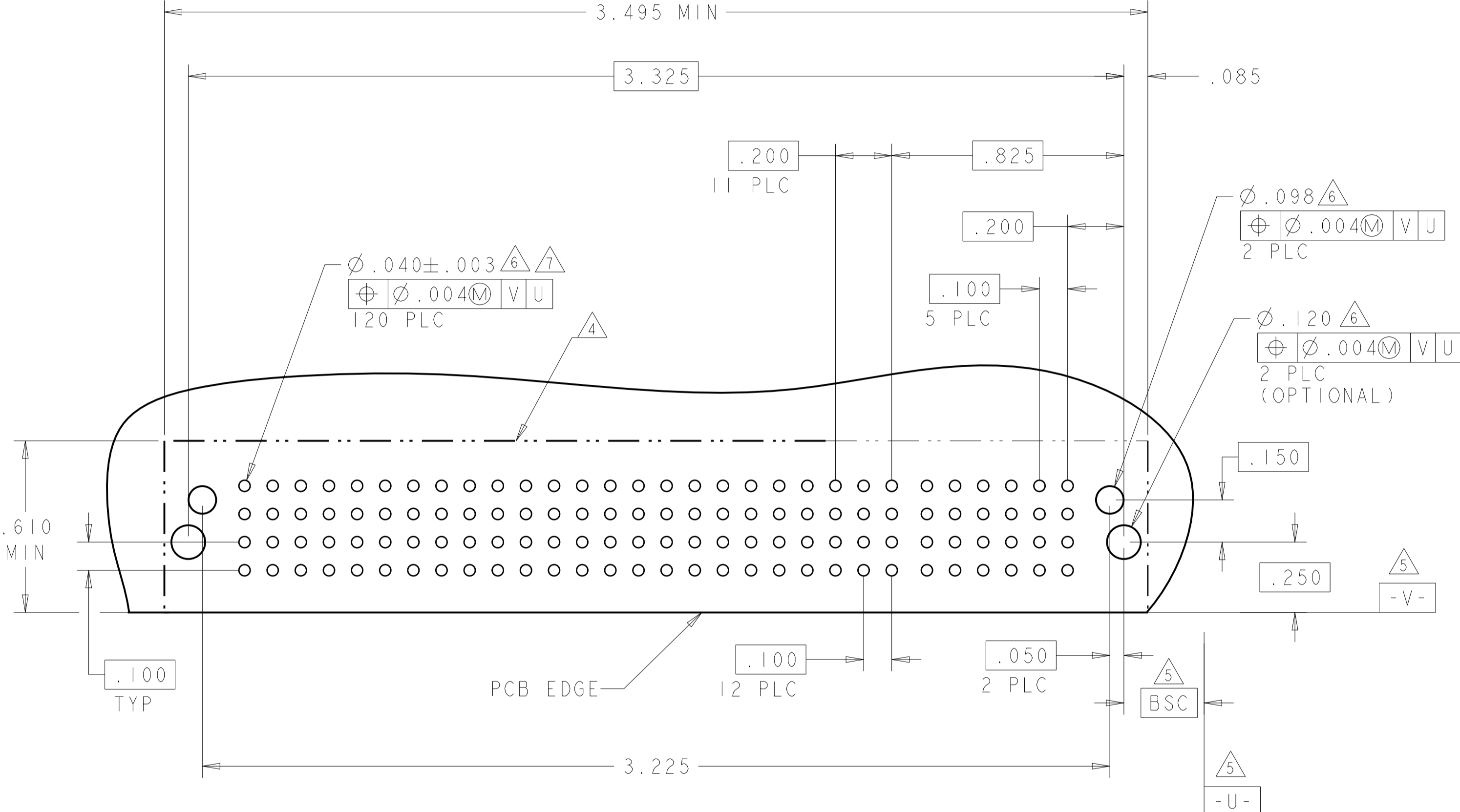


THIS DRAWING IS A CONTROLLED DOCUMENT.		OWN: C. ZHOU 02AUG2013	TE Connectivity
DIMENSIONS: INCH		CHK: S. ZHAO 02AUG2013	
TOLERANCES UNLESS OTHERWISE SPECIFIED:		APVD: -	NAME: RIGHT ANGLE RECEPTACLE WITH LP AND SHORT END MODULAR MULTI-BEAM XLE
0 PLC ± 1 PLC ± 2 PLC ± 3 PLC ±.0050 4 PLC ±.0020 ANGLES ±.020		PRODUCT SPEC: 108-2292	RESTRICTED TO: -
MATERIAL: -		APPLICATION SPEC: 114-13251	SIZE: A1
FINISH: -		WEIGHT: -	CAGE CODE: 6450871
		CUSTOMER DRAWING	SCALE: 1:1 SHEET 7 OF 10 REV: D1

LOC	DIST	REV	DATE	BY	APPV
-	-	1	-	-	-
DESCRIPTION			DATE	BY	APPV
SEE SHEET 1			-	-	-

PART NUMBER	ROWS	POWER								SIGNAL												
		P12	P11	P10	P9	P8	P7	P6	P5	P4	P3	P2	P1	6	5	4	3	2	1			
I-6450871-1	D	RM	RM	RM	RM	RM	RM	RA	RA	RA	RA	RA	H	H	H	H	H	H				
	C												G	G	G	G	G	G	G	G	G	
	B												F	F	F	F	F	F	F	F	F	F
	A												E	E	E	E	E	E	E	E	E	E
24S + 12HDP		HD		HD		HD		HD		HD		HD		HD		HD						

PART NUMBER	ROWS	POWER				SIGNAL									
		P4	P3	P2	P1	8	7	6	5	4	3	2	1		
I-6450871-2	D	RM	RM	RM	RM	H	H	H	H	H	H	H	H		
	C					G	G	G	G	G	G	G	G	G	
	B					F	F	F	F	F	F	F	F	F	F
	A					E	E	E	E	E	E	E	E	E	E
32S + 4ACP		HD		HD		HD		HD		HD		HD			

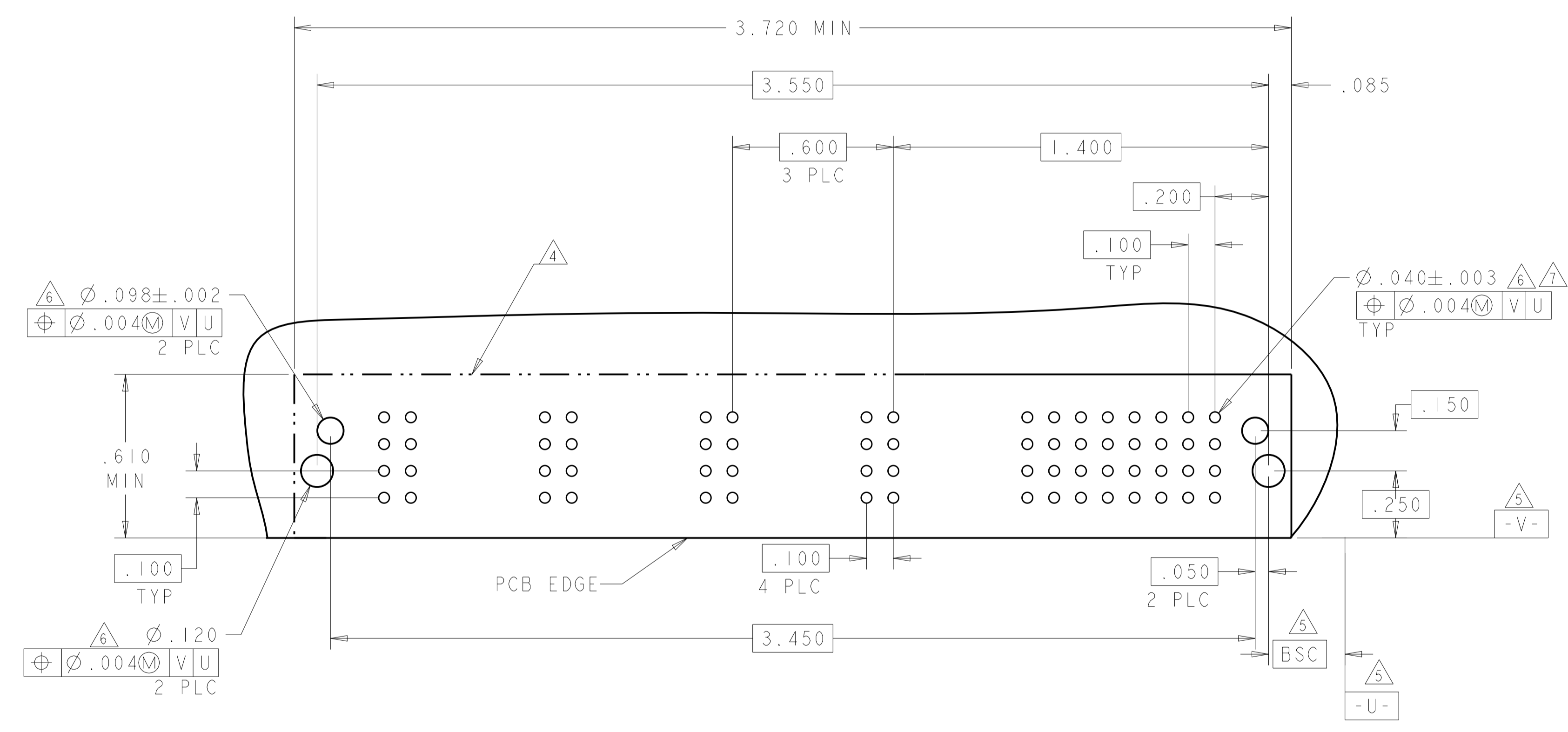


THIS DRAWING IS A CONTROLLED DOCUMENT.		OWN: C.ZHOU 02AUG2013	TE Connectivity
DIMENSIONS: INCH		CHK: S.ZHAO 02AUG2013	
TOLERANCES UNLESS OTHERWISE SPECIFIED:		APVD: -	NAME: RIGHT ANGLE RECEPTACLE WITH LP AND SHORT END MODULAR MULTI-BEAM XLE
0 PLC ± 1 PLC ± 2 PLC ± 3 PLC ±.0050 4 PLC ±.0020 ANGLES ±.020		PRODUCT SPEC: 108-2292	SIZE: A100779
MATERIAL: -		APPLICATION SPEC: 114-13251	CAGE CODE: C=6450871
FINISH: -		WEIGHT: -	RESTRICTED TO: -
CUSTOMER DRAWING		SCALE: 1:1	SHEET: 8 OF 10

LOC		DIST		REVISIONS			
P	LTN	DESCRIPTION	DATE	OWN	APVD		
-	-	SEE SHEET 1	-	-	-		

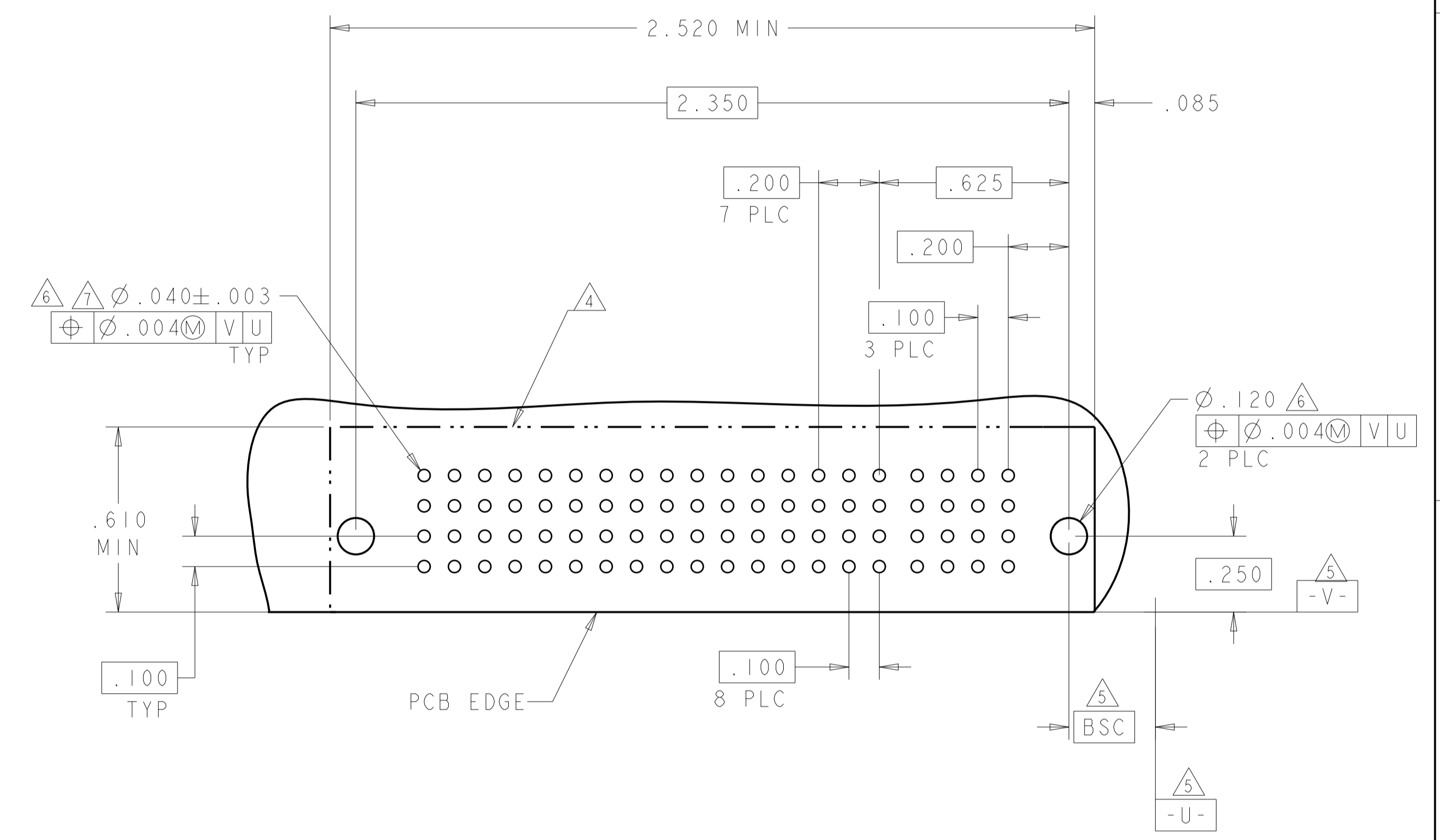
PART NUMBER	ROWS	POWER								SIGNAL									
		P8	P7	P6	P5	P4	P3	P2	P1	8	7	6	5	4	3	2	1		
I-6450871-3	D	RM	RM	RM	RM	RM	RM	RM	H	H	H	H	H	H	H	H			
	C								G	G	G	G	G	G	G	G	G	G	
	B								F	F	F	F	F	F	F	F	F	F	F
	A								E	E	E	E	E	E	E	E	E	E	E

NO CONTACTS LOADED



PART NUMBER	ROWS	POWER								SIGNAL						
		P8	P7	P6	P5	P4	P3	P2	P1	4	3	2	1			
I-6450871-4	D	RM	RM	RM	RM	RM	RM	RM	RM	H	H	H	H			
	C									G	G	G	G	G	G	G
	B									F	F	F	F	F	F	F
	A									E	E	E	E	E	E	E

16S + 8HDP

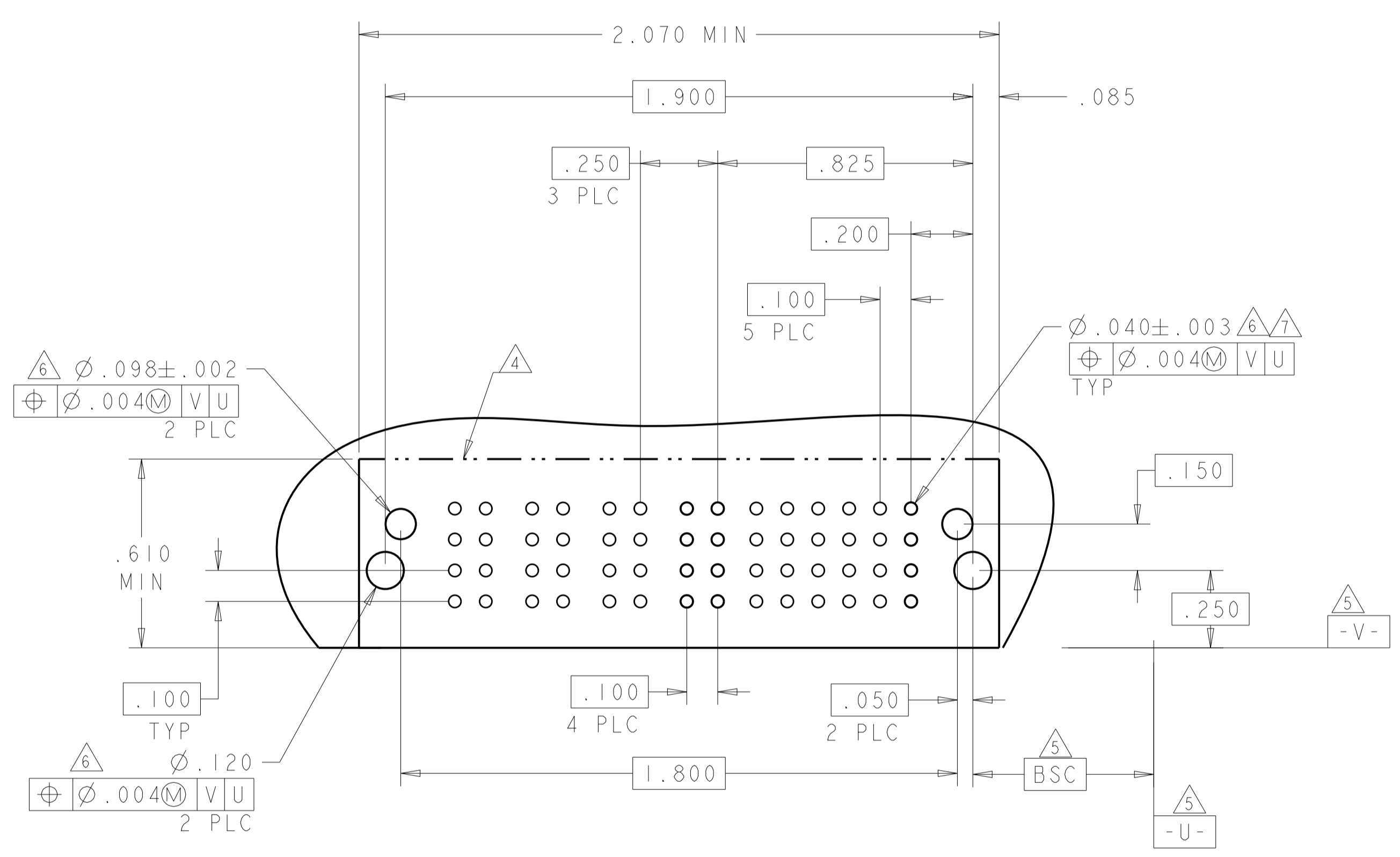


THIS DRAWING IS A CONTROLLED DOCUMENT.		OWN: C. ZHOU 02AUG2013	TE Connectivity
DIMENSIONS: INCH		CHK: S. ZHAO 02AUG2013	
TOLERANCES UNLESS OTHERWISE SPECIFIED:		APVD: -	NAME: RIGHT ANGLE RECEPTACLE WITH LP AND SHORT END MODULAR MULTI-BEAM XLE
0 PLC ± 1 PLC ± 2 PLC ± 3 PLC ±.0050 4 PLC ±.0020 ANGLES ±.020		PRODUCT SPEC: 108-2292	SIZE: A
MATERIAL: -		APPLICATION SPEC: 114-13251	CAGE CODE: 6450871
FINISH: -		WEIGHT: -	RESTRICTED TO: -
CUSTOMER DRAWING		SCALE: 1:1	SHEET 9 OF 10 REV: D1

LOC		DIST		REVISIONS			
P	LTN	DESCRIPTION	DATE	DMN	APVD		
-	-	SEE SHEET 1	-	-	-		

PART NUMBER	ROWS	POWER				SIGNAL					
		P4	P3	P2	P1	6	5	4	3	2	1
1-6450871-5	D	RM	RM	RM	RM	H	H	H	H	H	H
	C					G	G	G	G	G	G
	B					F	F	F	F	F	F
	A					E	E	E	E	E	E

24S + 4P



THIS DRAWING IS A CONTROLLED DOCUMENT.		DMN C. ZHOU CHK S. ZHAO	02AUG2013 02AUG2013	TE Connectivity	
DIMENSIONS: INCH	TOLERANCES UNLESS OTHERWISE SPECIFIED:	APVD		NAME	
	0 PLC ±	PRODUCT SPEC		RIGHT ANGLE RECEPTACLE WITH LP AND SHORT END MODULAR MULTI-BEAM XLE	
	1 PLC ±	APPLICATION SPEC		SIZE CAGE CODE DRAWING NO	
	2 PLC ±	114-13251		RESTRICTED TO	
	3 PLC ±	A100779C=6450871			
MATERIAL	FINISH	WEIGHT	CUSTOMER DRAWING	SCALE 1:1	SHEET 10 OF 10