



Chipsmall Limited consists of a professional team with an average of over 10 year of expertise in the distribution of electronic components. Based in Hongkong, we have already established firm and mutual-benefit business relationships with customers from,Europe,America and south Asia,supplying obsolete and hard-to-find components to meet their specific needs.

With the principle of “Quality Parts,Customers Priority,Honest Operation,and Considerate Service”,our business mainly focus on the distribution of electronic components. Line cards we deal with include Microchip,ALPS,ROHM,Xilinx,Pulse,ON,Everlight and Freescale. Main products comprise IC,Modules,Potentiometer,IC Socket,Relay,Connector.Our parts cover such applications as commercial,industrial, and automotives areas.

We are looking forward to setting up business relationship with you and hope to provide you with the best service and solution. Let us make a better world for our industry!



## Contact us

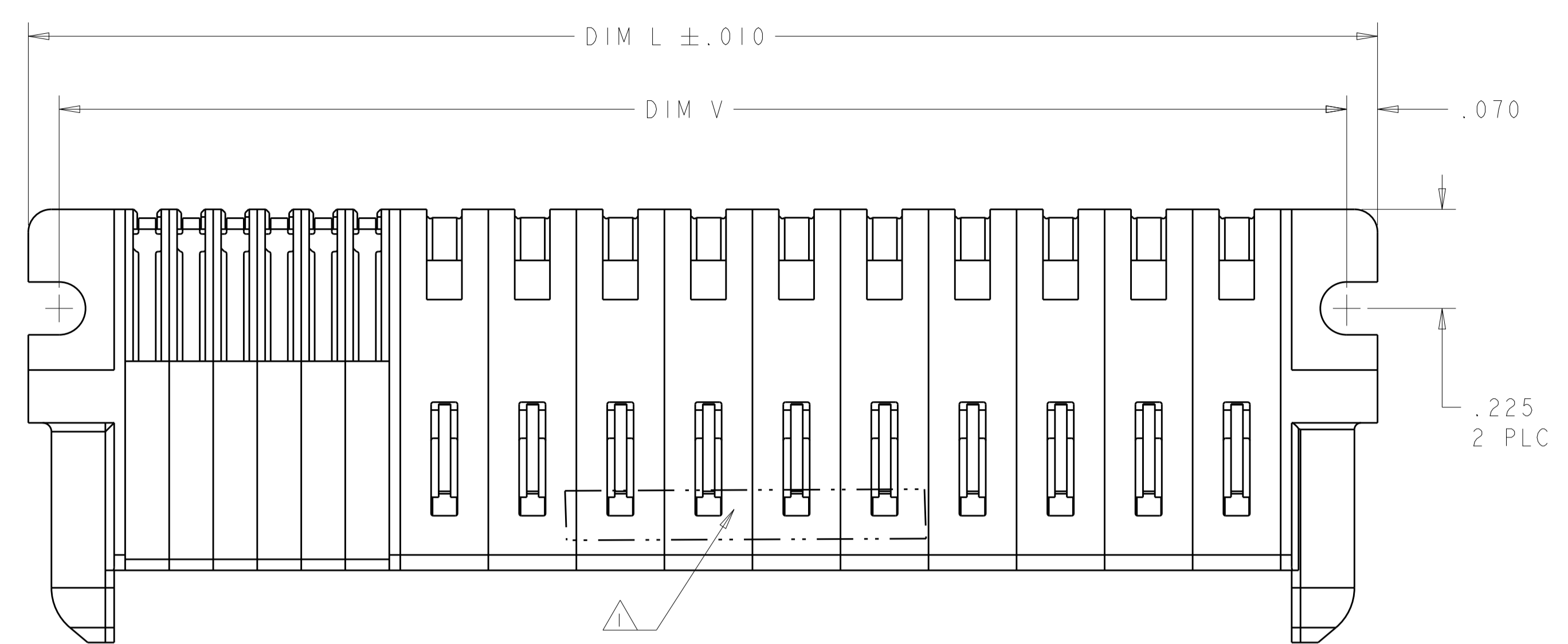
Tel: +86-755-8981 8866 Fax: +86-755-8427 6832

Email & Skype: info@chipsmall.com Web: www.chipsmall.com

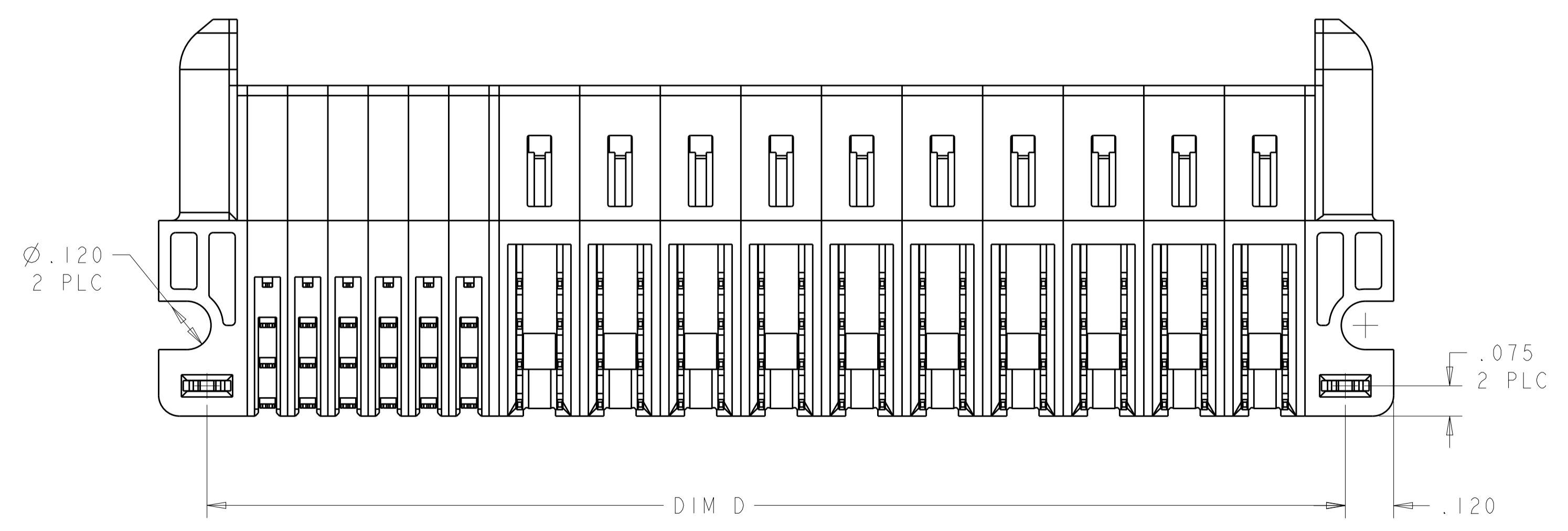
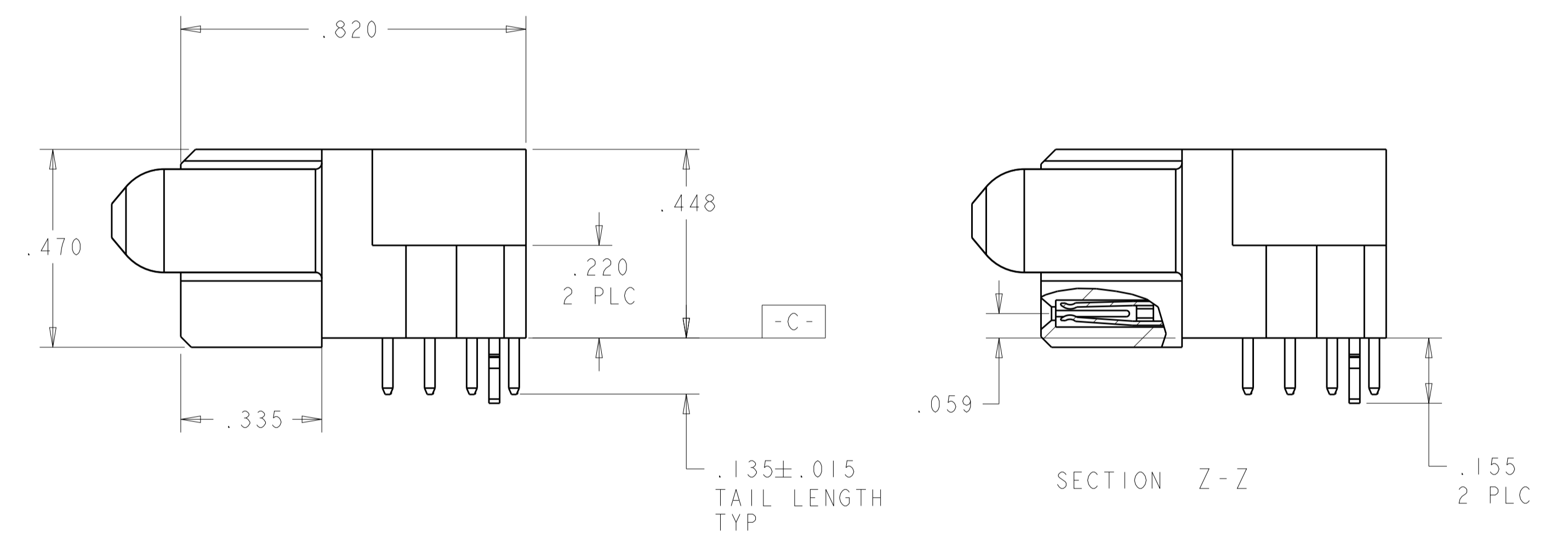
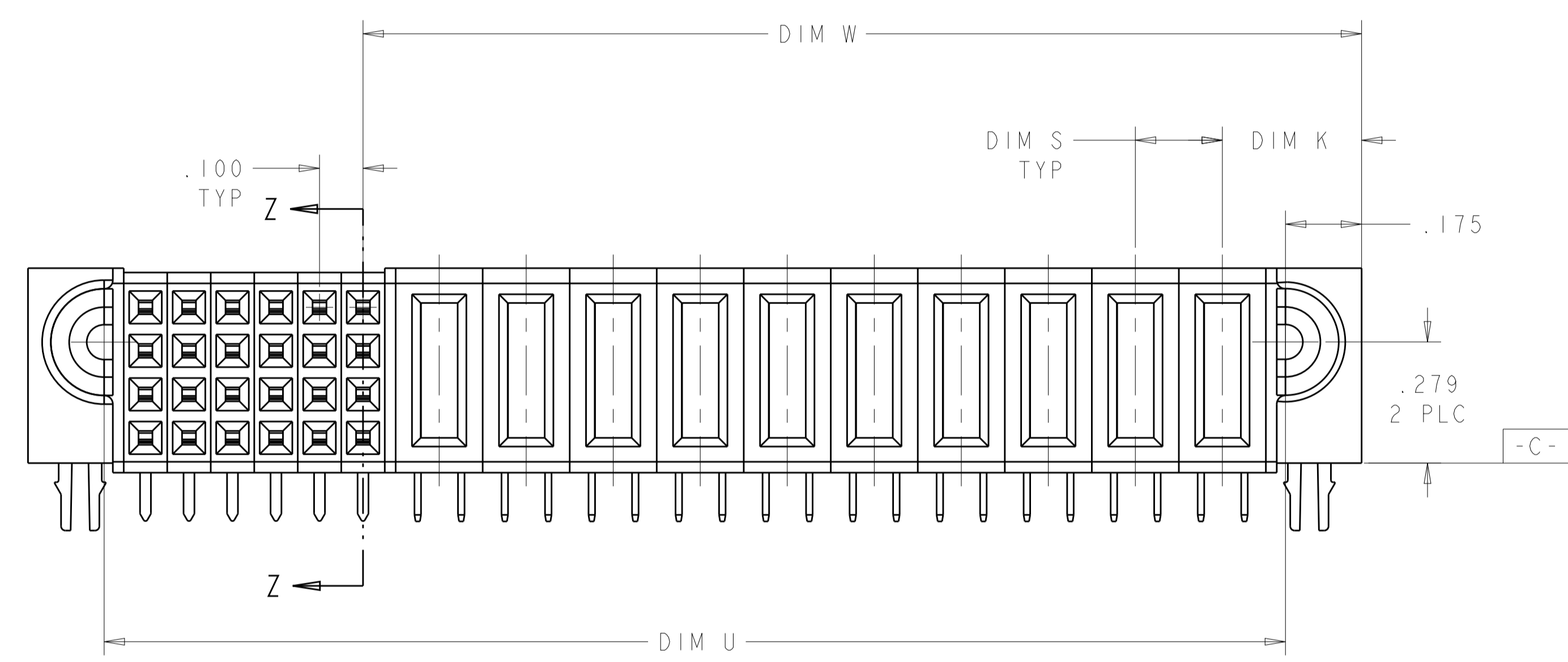
Address: A1208, Overseas Decoration Building, #122 Zhenhua RD., Futian, Shenzhen, China



LOC		DIST		REVISIONS			
ES	00	P	LTH	DESCRIPTION	DATE	DWN	APVD
		D2		RELEASE 1-4	12DEC2014	CZ	SZ
		D3		ADD NEW DASH NUMBER 1-9	25MAR2015	CZ	SZ

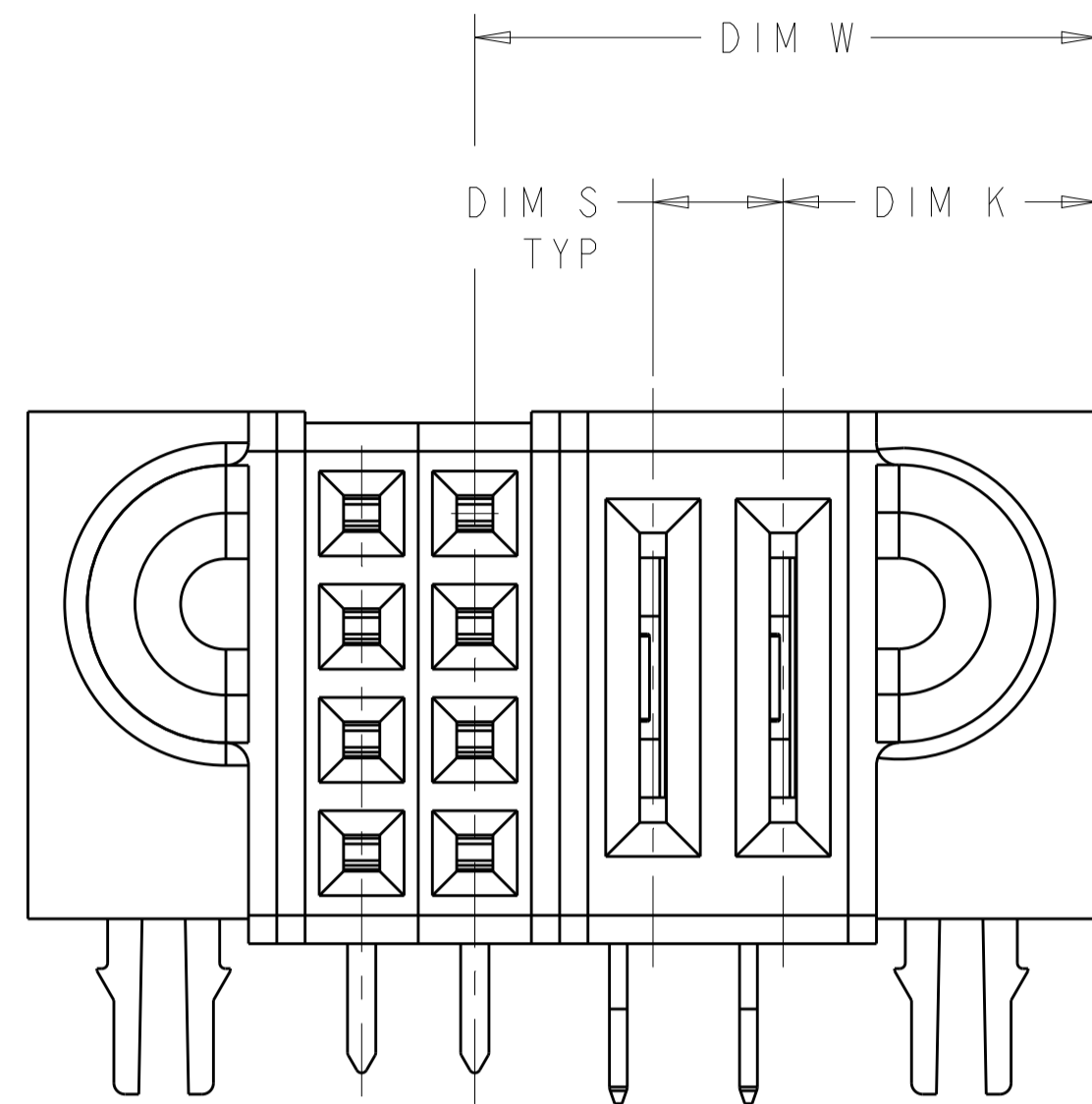


- 1 "AMP", PART NUMBER, AND DATECODE TO BE MARKED IN AREA SHOWN. PARTS UNDER 2.00[50.8] LONG MAY BE MARKED ON BOTH SIDES.
- 2 MATERIAL: HOUSING - GLASS FILLED HIGH TEMP THERMO PLASTIC, BLACK, UL94 V-0  
 SIGNAL CONTACT - COPPER ALLOY  
 POWER CONTACT - HIGH CONDUCTIVITY COPPER ALLOY
- 3 CONTACT PLATING: NOBLE METAL PLATING ON CONTACT FUNCTIONAL AREA OF SIGNAL CONTACTS AND POWER CONTACTS.
- 4 MECHANICAL CONNECTOR KEEP OUT ZONE.
- 5 DATUM AND BASIC DIMENSIONS ESTABLISHED BY CUSTOMER.
- 6 PCB - HOLE DIAMETERS ARE FINISHED HOLE SIZE.
- 7 PCB - .0453±.0010[1.151±0.025] DRILLED HOLES PLATED WITH .0003[0.008] MIN Sn OVER .001[0.03] TO .003[0.08] Cu PLATING TO ACHIEVE A .040[1.02] DIA HOLE.
- 8 VARIABLE DIMENSIONS SHOWN ON VIEW.
- 9 FOR CONFIGURATION "L/P", VARIABLE DIMENSIONS PLEASE REFERTO SHEET 2.



THIS DRAWING IS A CONTROLLED DOCUMENT.		DWN C. ZHOU 06FEB2009	 TE Connectivity
DIMENSIONS: INCHES[MM]		CHK S. ZHAO 06FEB2009	
TOLERANCES UNLESS OTHERWISE SPECIFIED:		APVD S. ZHAO 06FEB2009	NAME RIGHT ANGLE RECEPTACLE WITH LP AND SHORT END MODULAR MULTI-BEAM XLE
0 PLC ±.01	1 PLC ±.01	PRODUCT SPEC 108-2292	SIZE A100779
2 PLC ±.005	3 PLC ±.0020	APPLICATION SPEC 114-13251	CAGE CODE C=6450872
4 PLC ±.0020	ANGLES ±.7°	WEIGHT	RESTRICTED TO
MATERIAL	FINISH	CUSTOMER DRAWING	SCALE 4:1 SHEET 1 OF 11 REV D.3

LOC	DIST	REVISIONS					
		P	LTN	DESCRIPTION	DATE	DWN	APVD
ES	00	-	-	SEE SHEET 1	-	-	-



FOR CONFIGURATION "L/P", OTHER DIMENSIONS PLEASE REFER TO SHEET 1

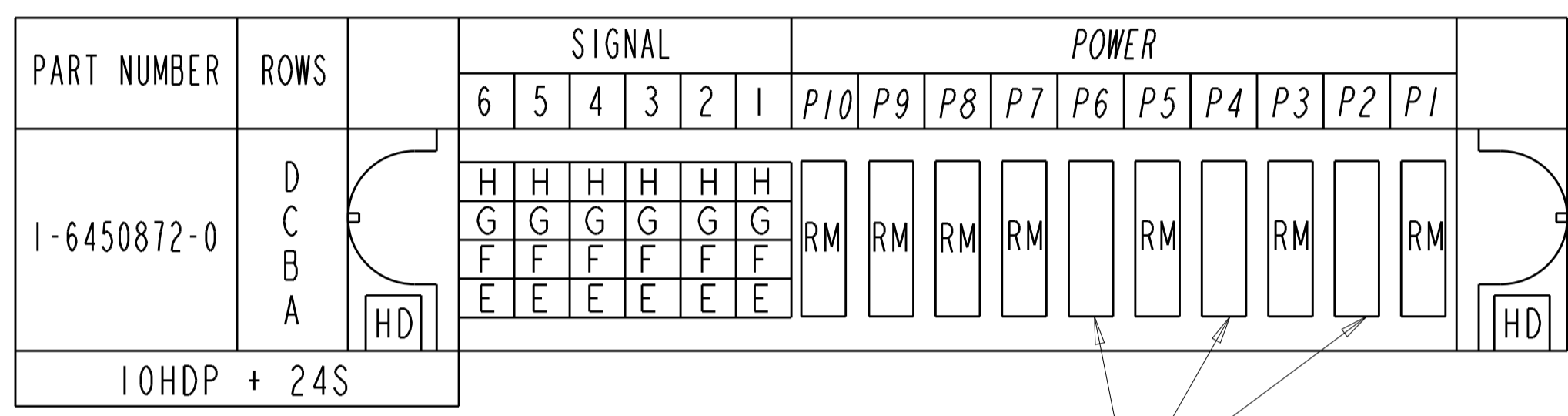
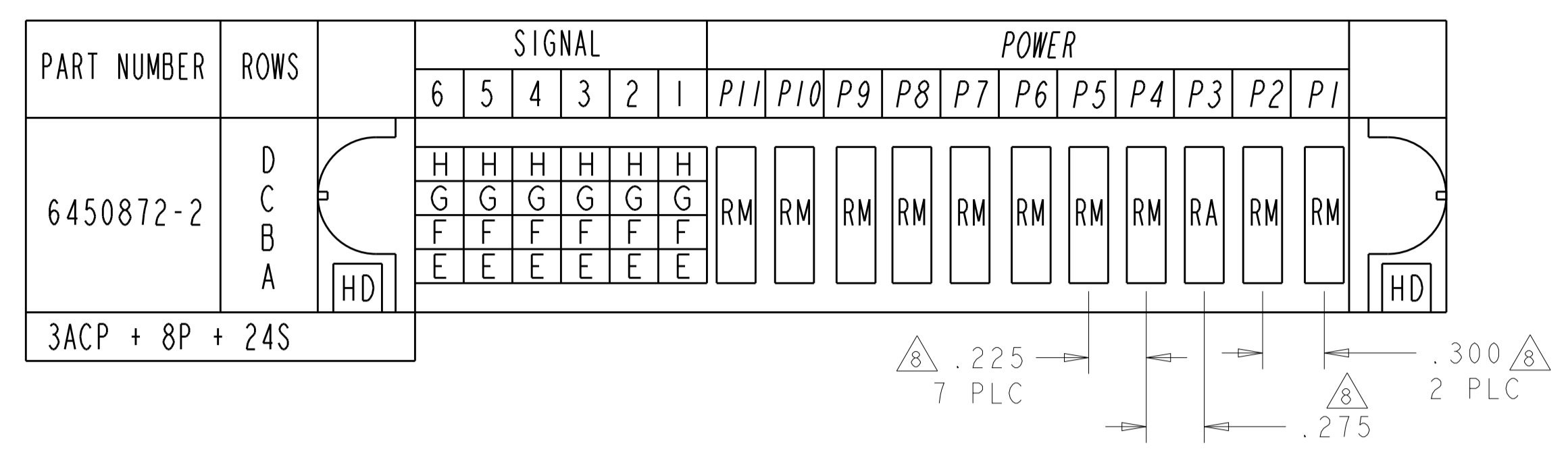
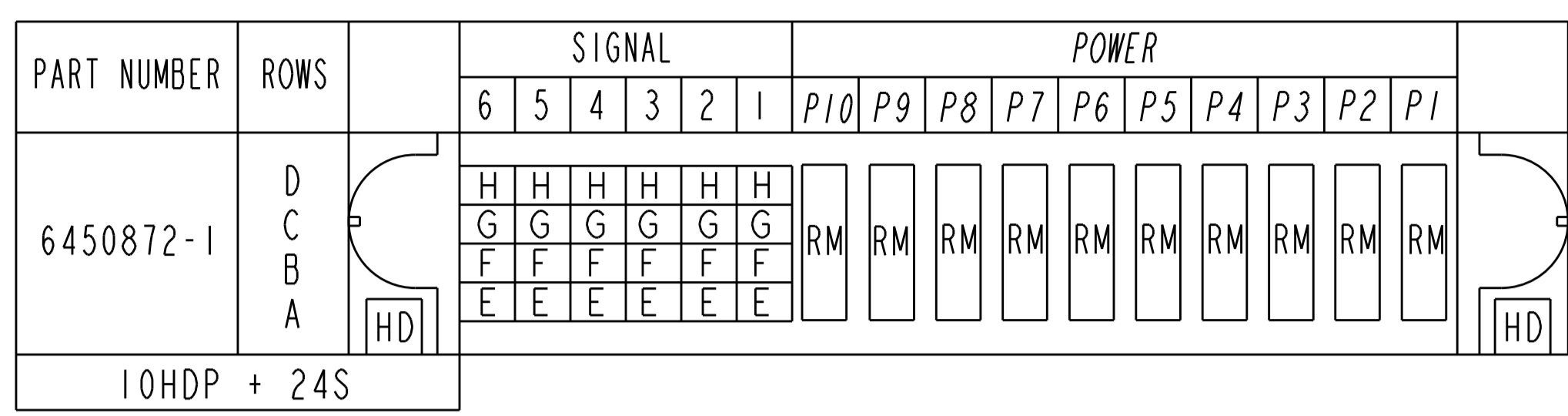
.200	2.965	2.825	2.615	2.725	2.195	.320	10HDP + 20S	1-6450872-9
$\triangle 8$	2.090	1.950	1.740	1.850	1.320	.320	5HDP + 24S	1-6450872-8
.250	3.240	3.100	2.890	3.000	2.270	.345	8P + 32S	1-6450872-7
$\triangle 8$	2.965	2.825	2.615	2.725	2.195	.370	3ACP + 4P + 24S	1-6450872-6
.250	3.040	2.900	2.690	2.800	2.270	.345	8HDP + 24S	1-6450872-5
.200	1.990	1.850	1.640	1.750	1.320	.345	5HDP + 20S	1-6450872-4
.115 $\triangle 9$	.945	.805	.595	.705	.550 $\triangle 9$	.2775 $\triangle 9$	2LP + 8S	1-6450872-3
.200	3.065	2.925	2.715	2.825	2.295	.320	10HDP + 24S	1-6450872-0
.200	2.240	2.100	1.890	2.000	1.470	.320	6HDP + 24S	6450872-9
$\triangle 8$	3.065	2.925	2.715	2.825	1.895	.370	4P + 40S	6450872-8
.250	4.640	4.500	4.290	4.400	3.270	.320	12P + 48S	6450872-7
.250	2.415	2.275	2.065	2.175	1.745	.320	6P + 20S	6450872-6
.250	1.490	1.350	1.140	1.250	1.020	.345	3P + 12S	6450872-4
$\triangle 8$	1.590	1.450	1.240	1.350	.995	.345	2P + 8S	6450872-3
$\triangle 8$	3.740	3.600	3.390	3.500	2.970	.345	3ACP + 8P + 24S	6450872-2
.200	3.065	2.925	2.715	2.825	2.295	.320	10HDP + 24S	6450872-1
DIM S	DIM L	DIM V	DIM U	DIM D	DIM W	DIM K	DESCRIPTION	PART NUMBER

THIS DRAWING IS A CONTROLLED DOCUMENT.

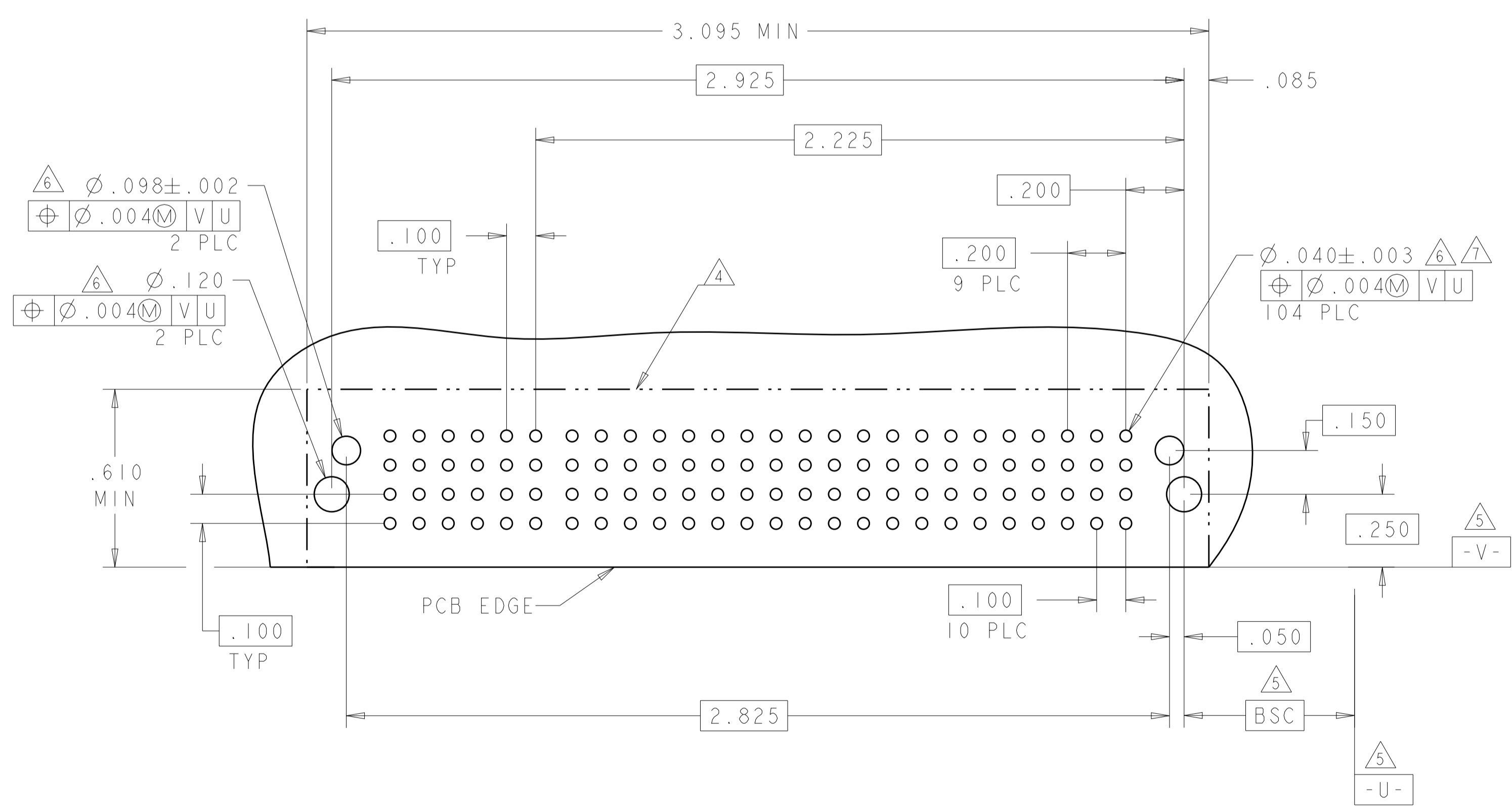
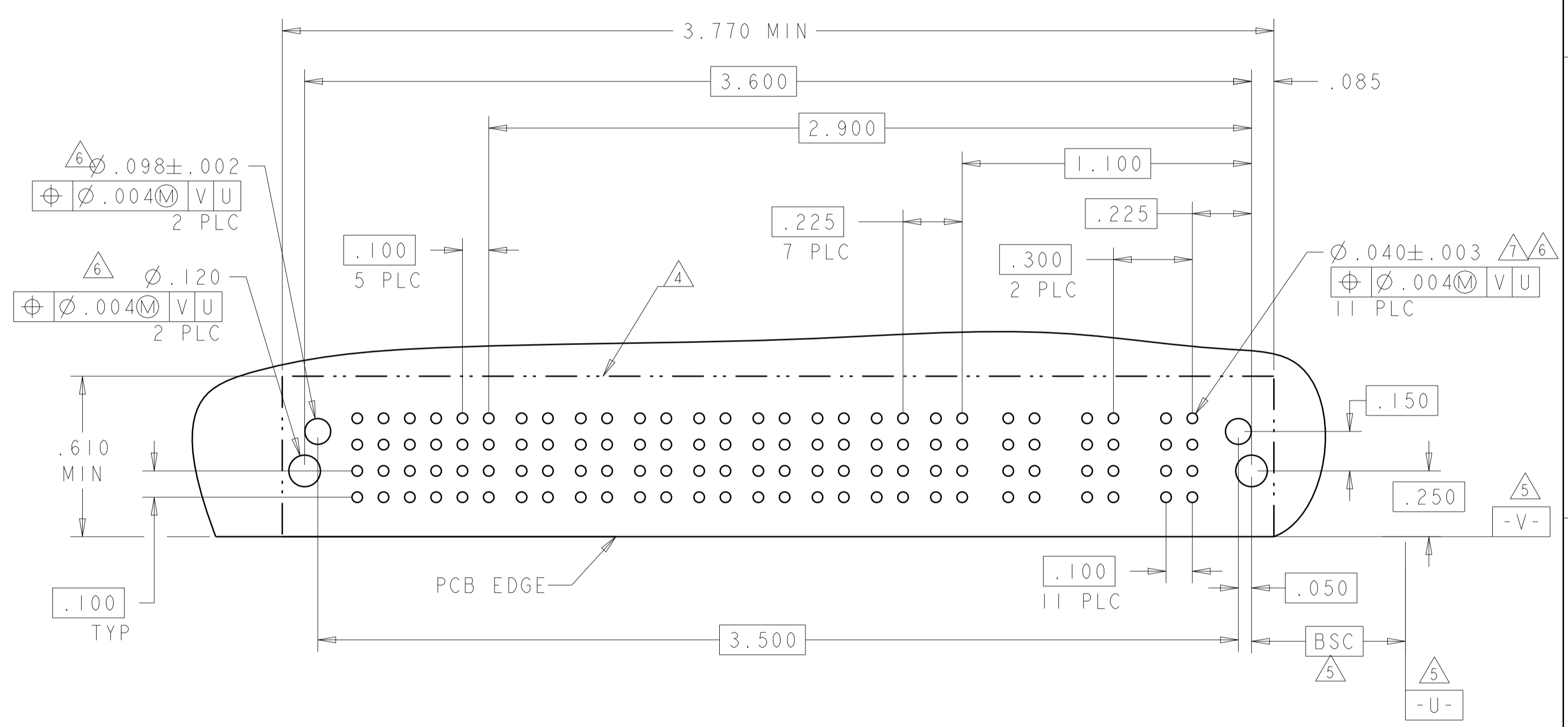
DIMENSIONS: INCHES(MM)	TOLERANCES UNLESS OTHERWISE SPECIFIED: 0 PLC ±. 1 PLC ±.01 2 PLC ±.01 3 PLC ±.005 4 PLC ±.0020 ANGLES ±.7° FINISH	DWN C. ZHOU 06FEB2009 CHK S. ZHAO 06FEB2009 APVD S. ZHAO 06FEB2009	NAME RIGHT ANGLE RECEPTACLE WITH LP AND SHORT END MODUAL MULTI-BEAM XLE
MATERIAL	FINISH	PRODUCT SPEC 108-2292 APPLICATION SPEC 114-13251	RESTRICTED TO
CUSTOMER DRAWING		SCALE 4:1	SHEET 2 OF 11 REV D3

4805 (3/11)

LOC	DIST	REV	DATE	BY	APPV
ES	00				
		REVISIONS			
		DESCRIPTION	DATE	BY	APPV
		SEE SHEET 1			



NO LOADING CONTACTS



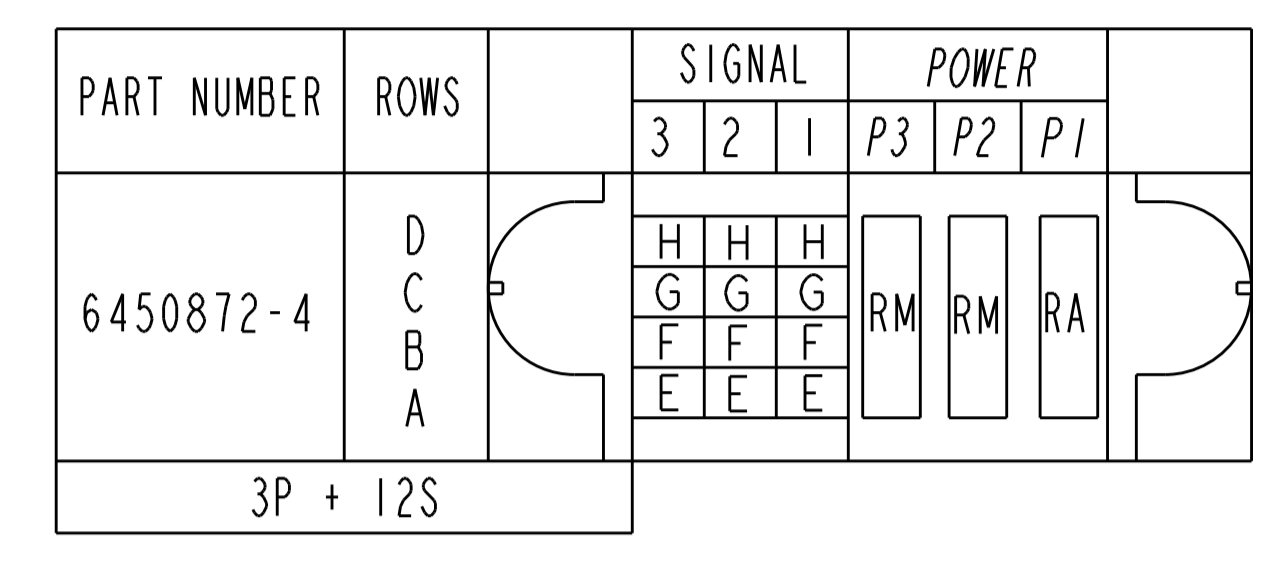
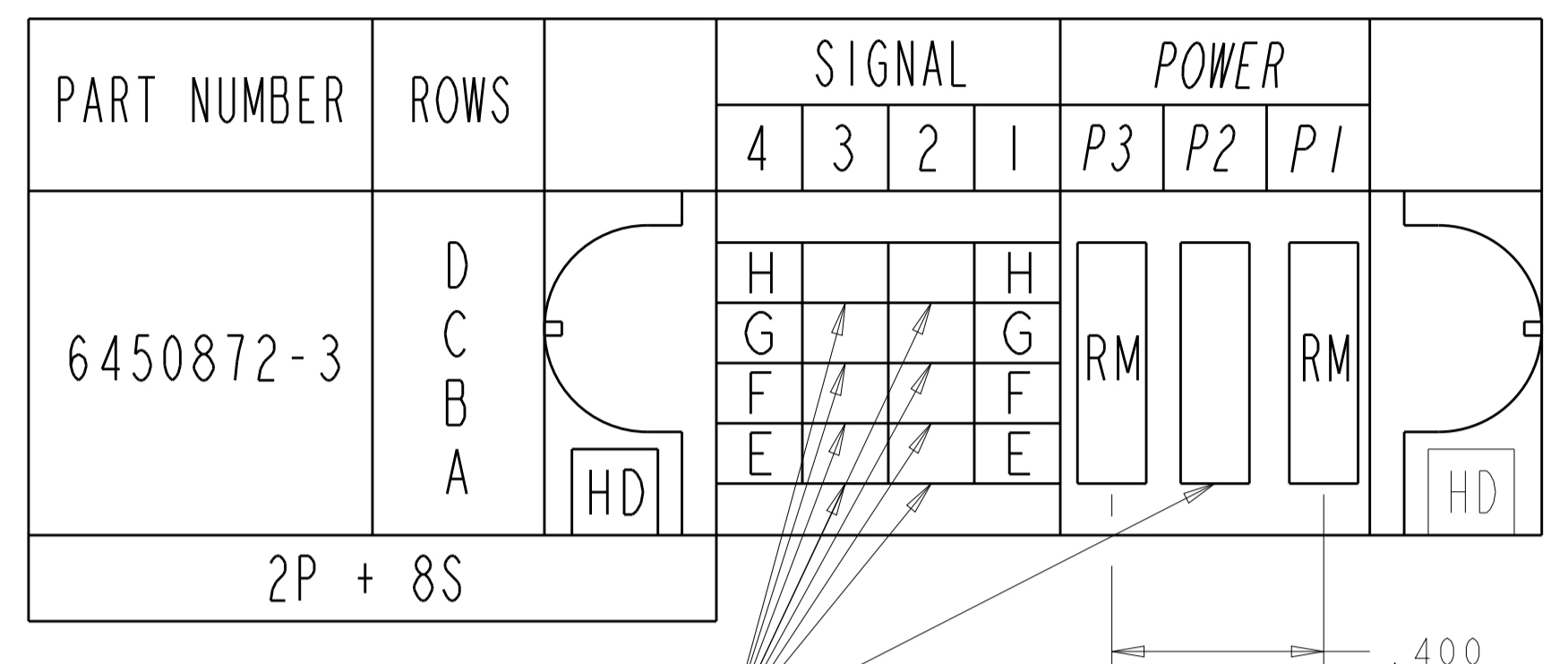
PCB LAYOUT FOR P/N: 6450872-1 AND 1-6450872-0

STD LOW POWER CONTACT, .135 TAIL LENGTH	LM
STANDARD SIGNAL CONTACT, .135 TAIL LENGTH, ROW D	H
STANDARD SIGNAL CONTACT, .135 TAIL LENGTH, ROW C	G
STANDARD SIGNAL CONTACT, .135 TAIL LENGTH, ROW B	F
STANDARD SIGNAL CONTACT, .135 TAIL LENGTH, ROW A	E
MFBL POWER CONTACT, .135 TAIL LENGTH	RA
STD POWER CONTACT, .135 TAIL LENGTH	RM
HOLD DOWN	HD
DESCRIPTION	IDENTIFIER

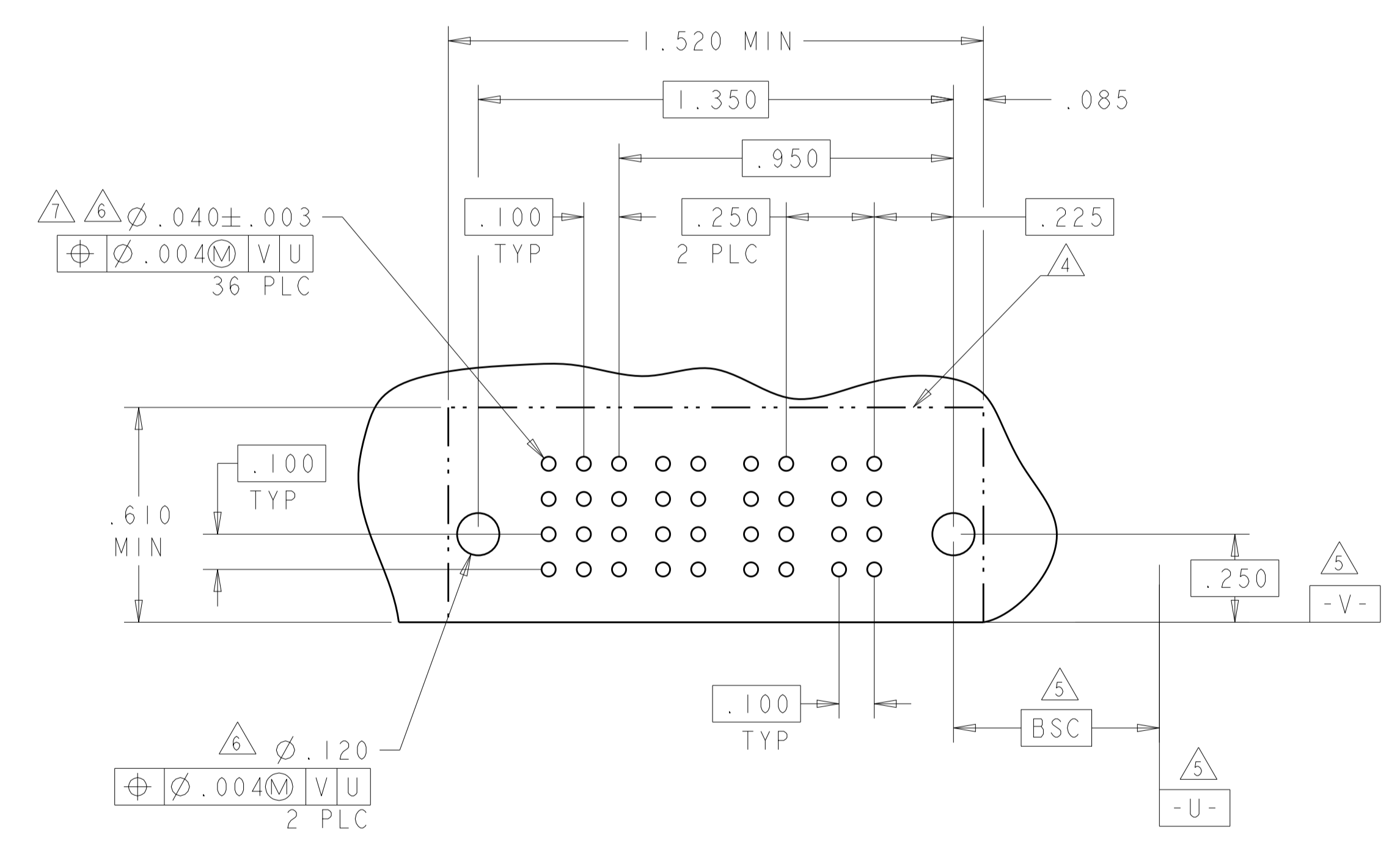
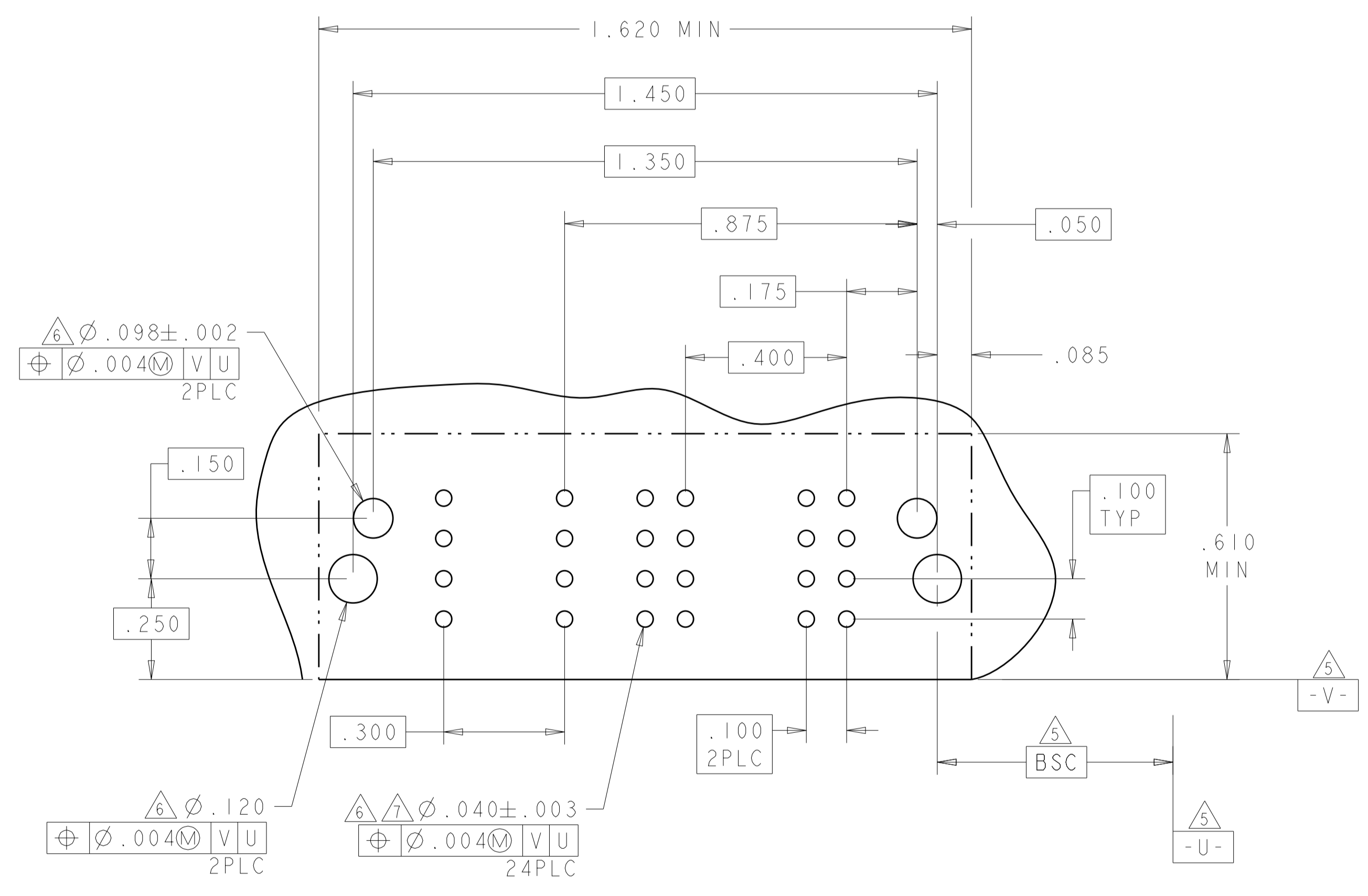
THIS DRAWING IS A CONTROLLED DOCUMENT.		OWN	C. ZHOU	06FEB2009
DIMENSIONS: INCHES[MM]		CHK	S. ZHAO	06FEB2009
TOLERANCES UNLESS OTHERWISE SPECIFIED:		APPV	S. ZHAO	06FEB2009
0 PLC	±	PRODUCT SPEC		
2 PLC	±.01	108-2292		
3 PLC	±.005	APPLICATION SPEC		
4 PLC	±.0020	114-13251		
ANGLES	±.0020	WEIGHT		
MATERIAL	FINISH	CUSTOMER DRAWING		

**STE** TE Connectivity  
 NAME: RIGHT ANGLE RECEPTACLE WITH LP AND SHORT END MODUAL MULTI-BEAM XLE  
 SIZE: CAGE CODE DRAWING NO: 114-13251  
 WEIGHT: A100779 ©=6450872  
 SCALE: 4:1 SHEET 3 OF 11 REV D.3

LOC		DIST		REVISONS			
ES	00	P	LYR	DESCRIPTION	DATE	DMN	APVD
		-		SEE SHEET 1	-	-	-



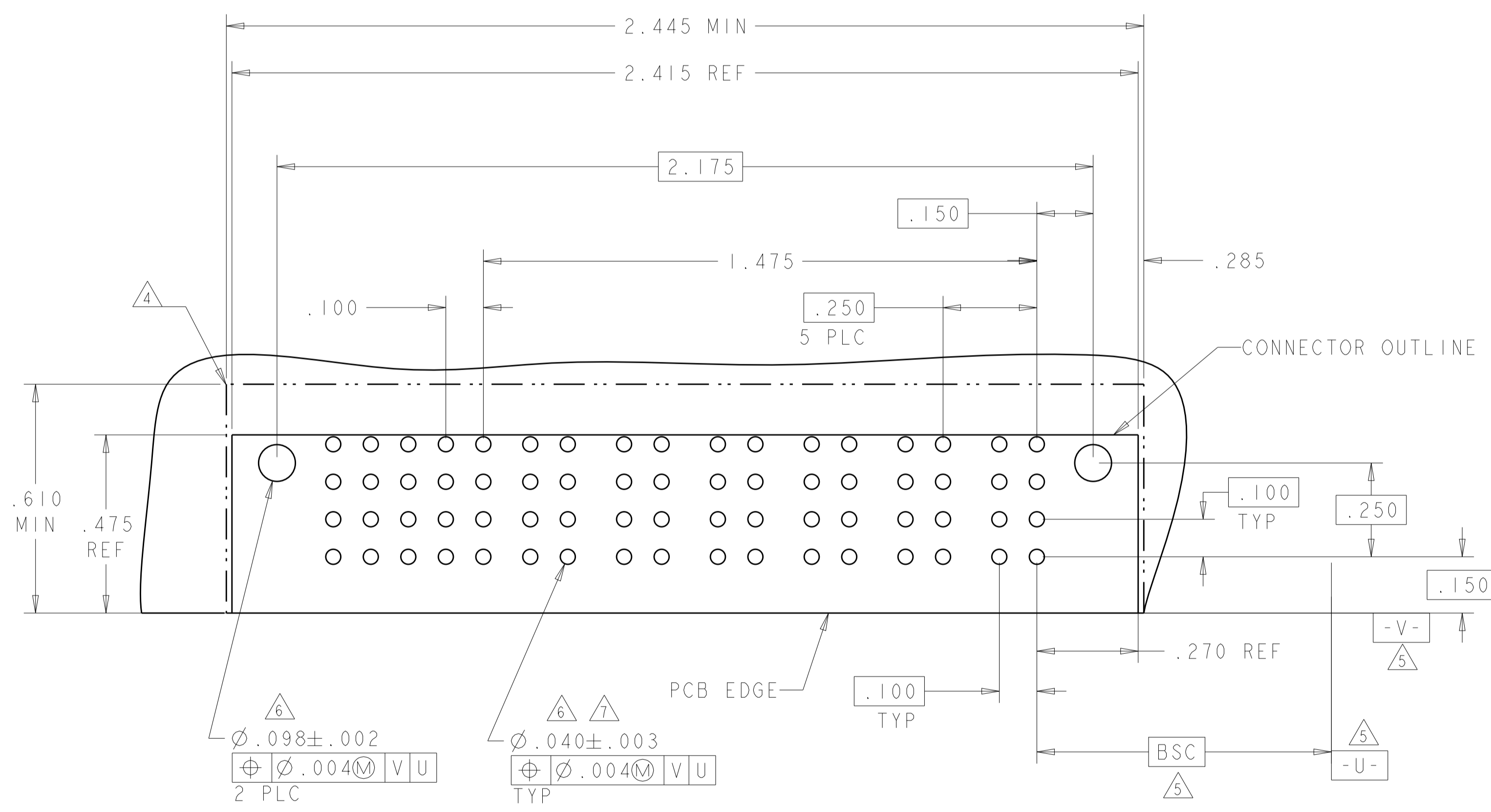
NO LOADING CONTACTS



THIS DRAWING IS A CONTROLLED DOCUMENT.		DMN C.ZHOU 06FEB2009	
DIMENSIONS: INCHES[MM]		CHK S.ZHAO 06FEB2009	
TOLERANCES UNLESS OTHERWISE SPECIFIED:		APVD S.ZHAO 06FEB2009	
0 PLC ± 1 PLC ±.01 2 PLC ±.01 3 PLC ±.005 4 PLC ±.0020 ANGLES ±.2°		PRODUCT SPEC 108-2292 APPLICATION SPEC 114-13251 WEIGHT - CUSTOMER DRAWING	
MATERIAL FINISH		SIZE CAGE CODE DRAWING NO. A100779C=6450872	RESTRICTED TO
		SCALE 4:1 SHEET 4 OF 11 REV D3	

LOC	DIST	REVISIONS					
		P	LTN	DESCRIPTION	DATE	DMN	APVD
ES	00	-	-	SEE SHEET 1	-	-	-

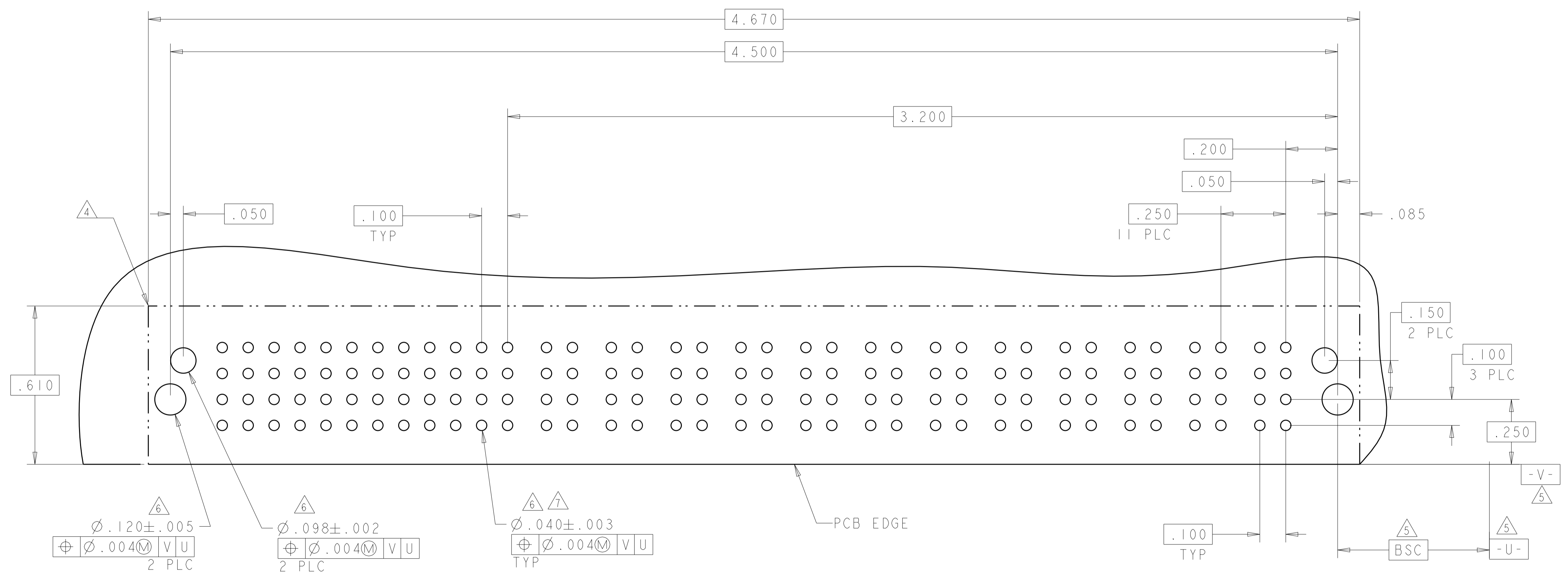
PART NUMBER	ROWS	SIGNAL					POWER						
		5	4	3	2	1	P6	P5	P4	P3	P2	P1	
6450872-6	D	H	H	H	H	H	RA	RA	RA	RA	RM	RM	
	C	G	G	G	G								
	B	F	F	F	F								
	A	E	E	E	E								
6P + 20S		HD											HD



THIS DRAWING IS A CONTROLLED DOCUMENT.		DMN C. ZHOU 06FEB2009	 TE Connectivity
DIMENSIONS: INCHES(MM)		CHK S. ZHAO 06FEB2009	
TOLERANCES UNLESS OTHERWISE SPECIFIED:		APVD S. ZHAO 06FEB2009	NAME RIGHT ANGLE RECEPTACLE WITH LP AND SHORT END MODULAR MULTI-BEAM XLE
0 PLC ±. 1 PLC ±.01 2 PLC ±.01 3 PLC ±.005 4 PLC ±.0020 ANGLES ±.2°		PRODUCT SPEC 108-2292	SIZE 114-13251
MATERIAL		APPLICATION SPEC	RESTRICTED TO
FINISH		WEIGHT	A100779C=6450872
CUSTOMER DRAWING		SCALE 4:1	SHEET 5 OF 11 REV D3

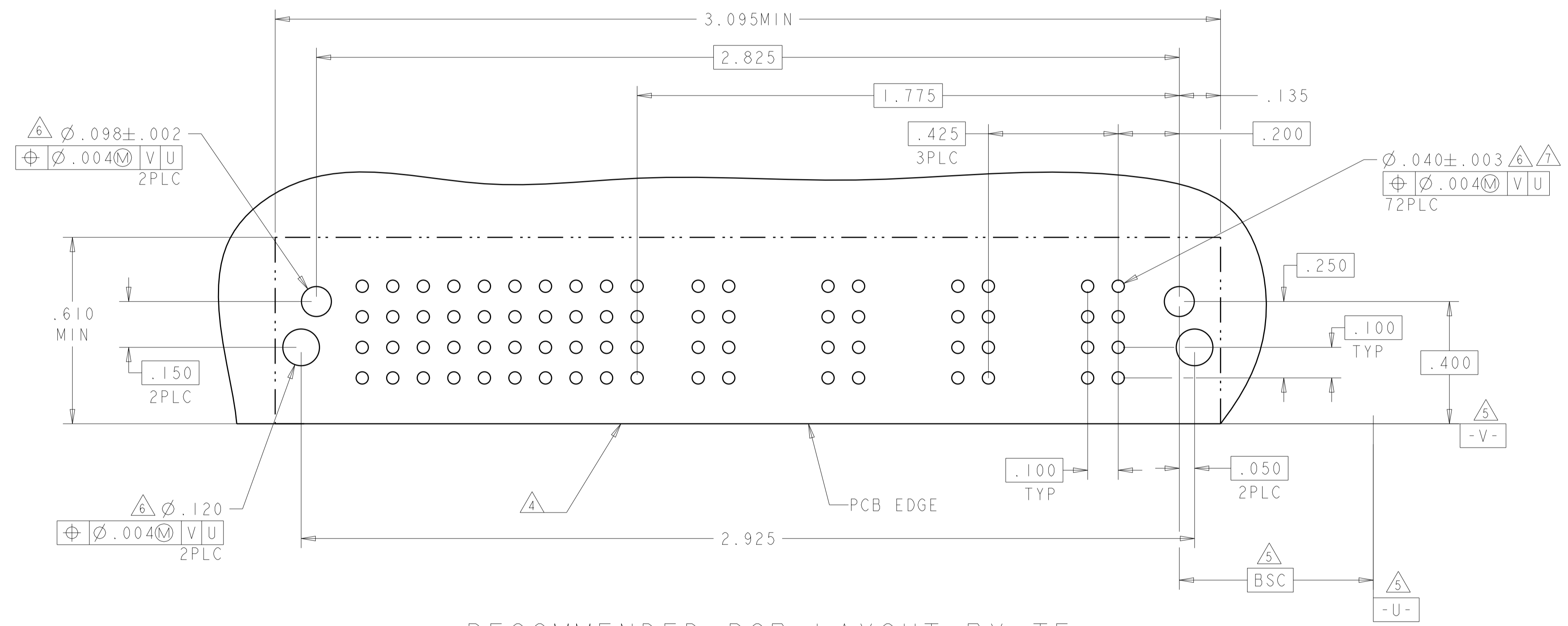
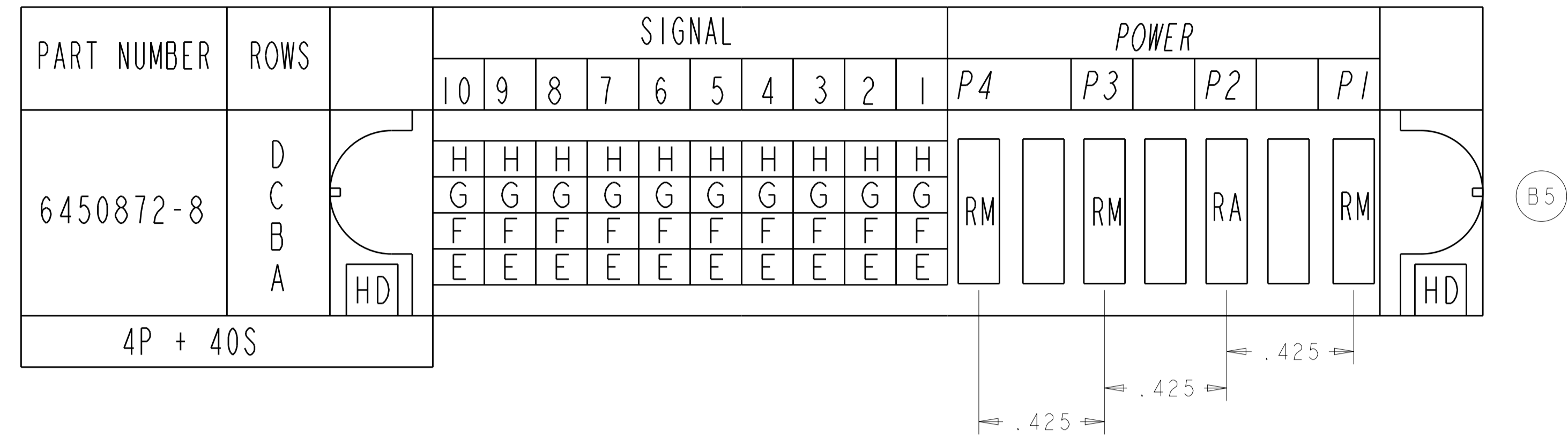
LOC	DIST	REVISIONS					
		P	LTN	DESCRIPTION	DATE	DWN	APVD
ES	00	-	-	SEE SHEET 1	-	-	-

PART NUMBER	ROWS	SIGNAL											POWER												
		12	11	10	9	8	7	6	5	4	3	2	1	P12	P11	P10	P9	P8	P7	P6	P5	P4	P3	P2	P1
6450872-7	D	H	H	H	H	H	H	H	H	H	H	H	RM	RM	RM	RM	RM	RM	RM	RM	RM	RM	RM	RM	
	C	G	G	G	G	G	G	G	G	G	G	G													
	B	F	F	F	F	F	F	F	F	F	F	F													
	A	E	E	E	E	E	E	E	E	E	E	E													
12P + 48S																									



THIS DRAWING IS A CONTROLLED DOCUMENT.		DWN C. ZHOU 06FEB2009	 TE Connectivity
DIMENSIONS: INCHES(MM)		CHK S. ZHAO 06FEB2009	
		APVD S. ZHAO 06FEB2009	NAME RIGHT ANGLE RECEPTACLE WITH LP AND SHORT END MODUAL MULTI-BEAM XLE
TOLERANCES UNLESS OTHERWISE SPECIFIED:		PRODUCT SPEC	SIZE A100779
0 PLC ±		108-2292	CAGE CODE C=6450872
1 PLC ±.01		APPLICATION SPEC	RESTRICTED TO
2 PLC ±.05		114-13251	
3 PLC ±.0020		WEIGHT	
4 PLC ±.0020		CUSTOMER DRAWING	SCALE 4:1 SHEET 6 OF 11 REV D3
ANGLES ±.2°			
FINISH			

LOC		DIST		REVISIONS			
ES	00	P	LTN	DESCRIPTION	DATE	OWN	APVD
		-		SEE SHEET 1			

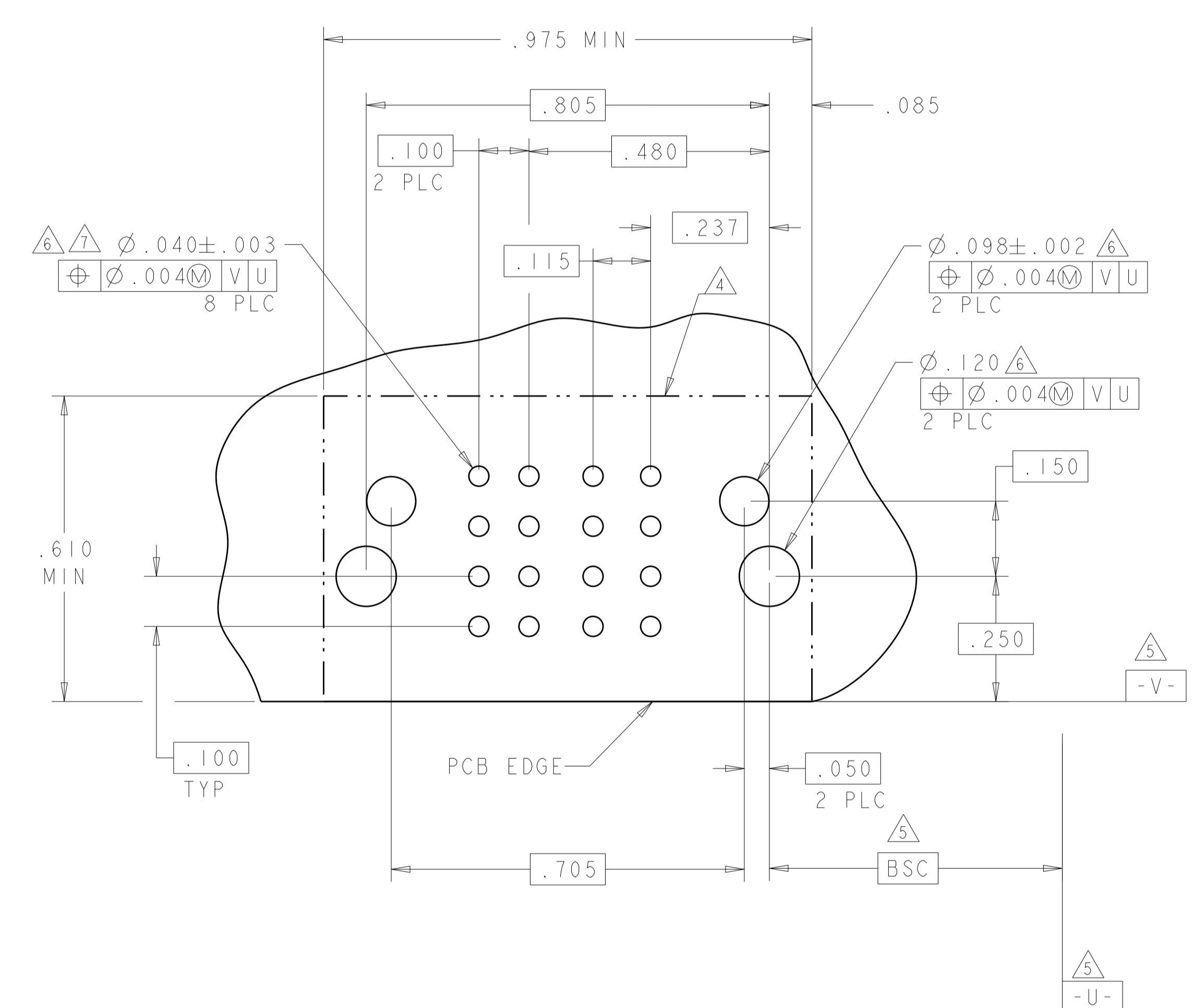
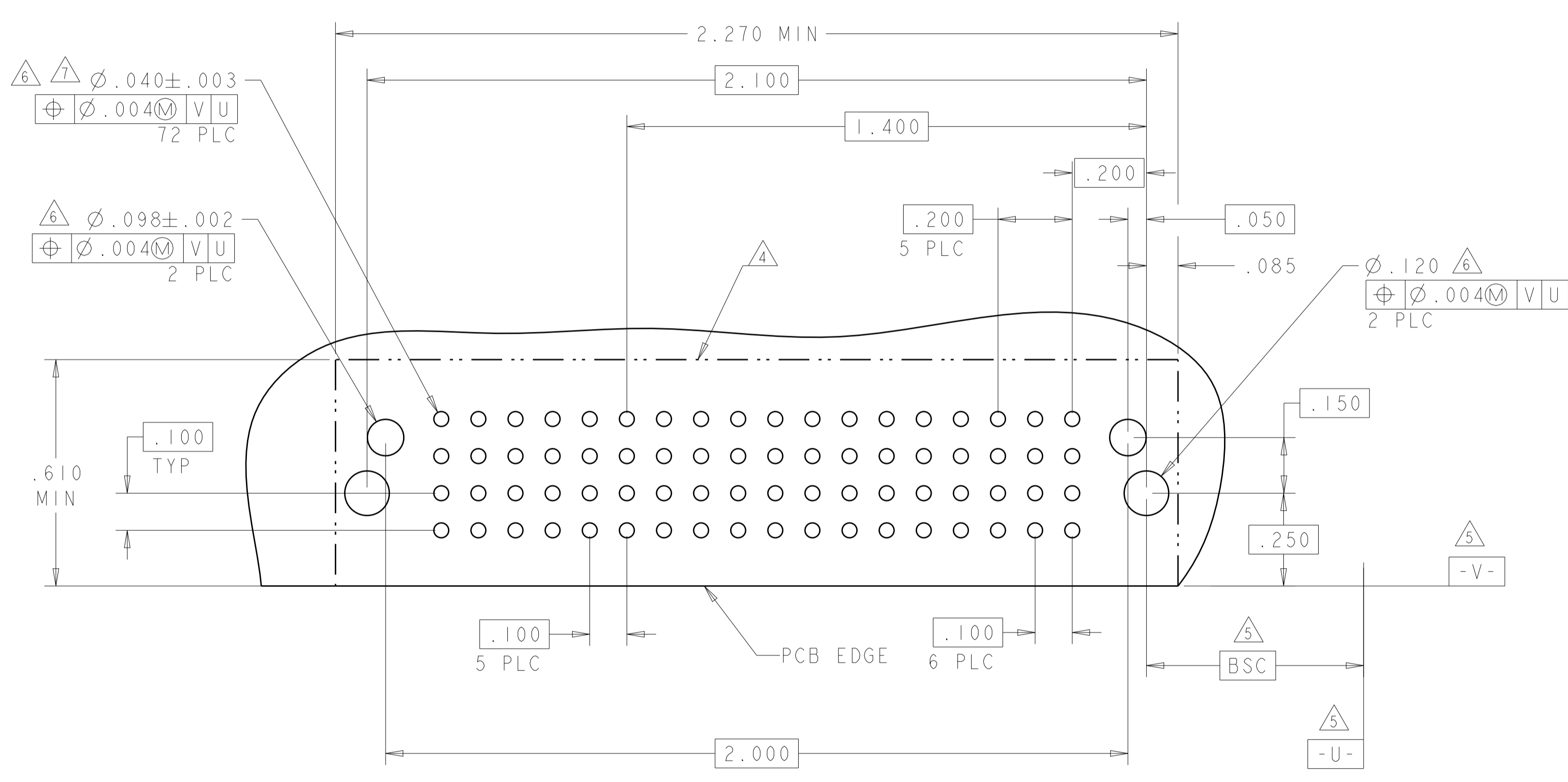
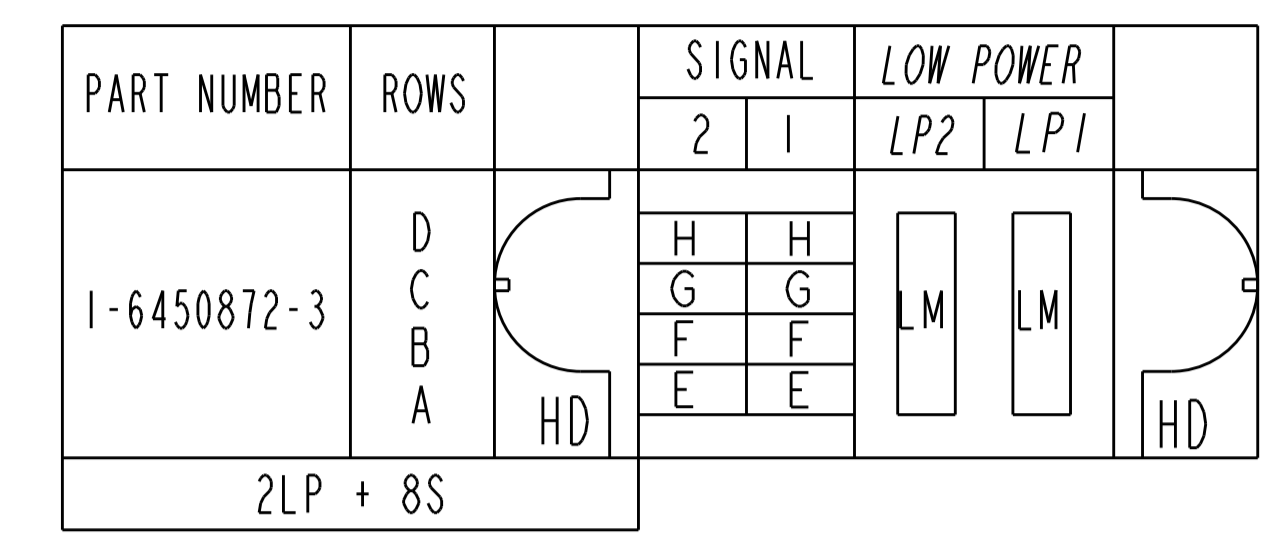
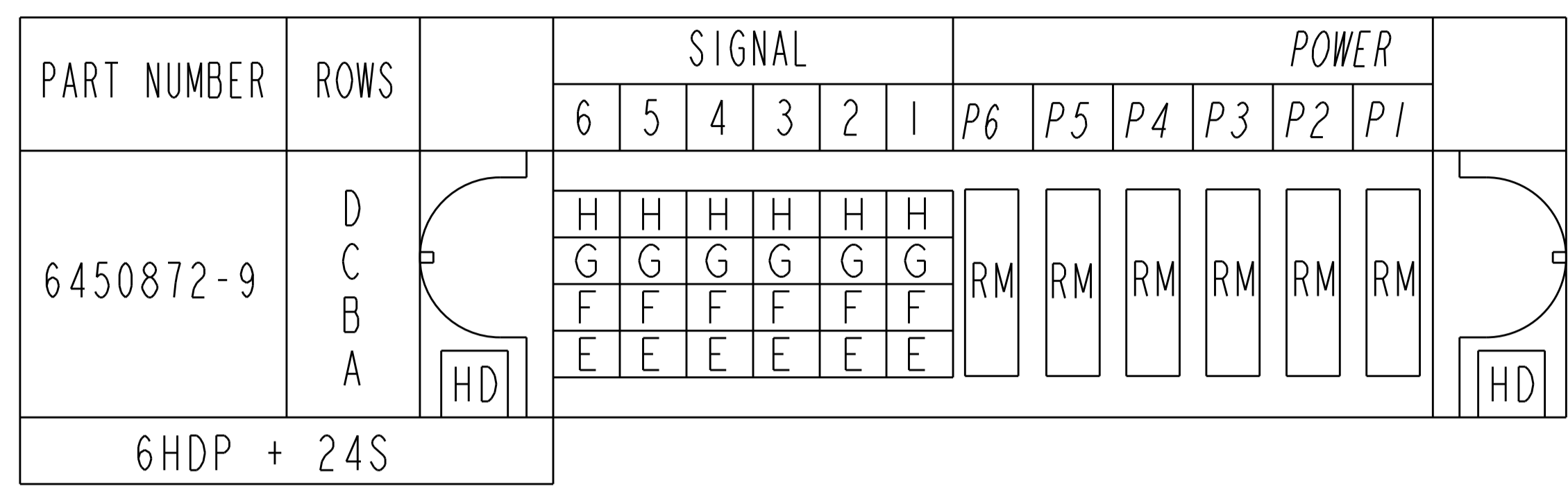


RECOMMENDED PCB LAYOUT BY TE

THIS DRAWING IS A CONTROLLED DOCUMENT.		OWN: C. ZHOU 06FEB2009	<b>TE</b> Connectivity
DIMENSIONS: INCHES(MM)		CHK: S. ZHAO 06FEB2009	
TOLERANCES UNLESS OTHERWISE SPECIFIED:		APVD: S. ZHAO 06FEB2009	NAME: RIGHT ANGLE RECEPTACLE WITH LP AND SHORT END MODULAR MULTI-BEAM XLE
0 PLC ±.01		PRODUCT SPEC: 108-2292	SIZE: A100779C=6450872
1 PLC ±.01		APPLICATION SPEC: 114-13251	SCALE: 4:1
2 PLC ±.01		WEIGHT: -	SHEET 7 OF 11
3 PLC ±.005		CUSTOMER DRAWING	REV: D3
4 PLC ±.0020			
ANGLES ±.2°			
FINISH			



LOC		DIST		REVISIONS			
ES	00	REV	DATE	BY	APP'D	DATE	BY
		-	SEE SHEET 1				



B9

THIS DRAWING IS A CONTROLLED DOCUMENT.		OWN: C.ZHOU 06FEB2009	TE Connectivity
DIMENSIONS: INCHES(MM)		CHK: S.ZHAO 06FEB2009	
TOLERANCES UNLESS OTHERWISE SPECIFIED:		APP'D: S.ZHAO 06FEB2009	
0 PLC ±. 1 PLC ±.01 2 PLC ±.01 3 PLC ±.005 4 PLC ±.002 ANGLES ±.2° FINISH		PRODUCT SPEC: 108-2292 APPLICATION SPEC: 114-13251 WEIGHT:	NAME: RIGHT ANGLE RECEPTACLE WITH LP AND SHORT END MODULAR MULTI-BEAM XLE SIZE: A100779C=6450872 SHEET: 8 OF 11 REV: D3
MATERIAL:		CUSTOMER DRAWING SCALE: 4:1	

LOC	DIST	REV	DATE	BY	APPV
ES	00				
REVISIONS			DESCRIPTION	DATE	BY
			SEE SHEET 1		

PART NUMBER	ROWS	SIGNAL					POWER				
		5	4	3	2	1	P5	P4	P3	P2	P1
I-6450872-4	D	H	H	H	H	H	RA	RM	RM	RM	RM
	C	G	G	G	G	G					
	B	F	F	F	F	F					
	A	E	E	E	E	E					

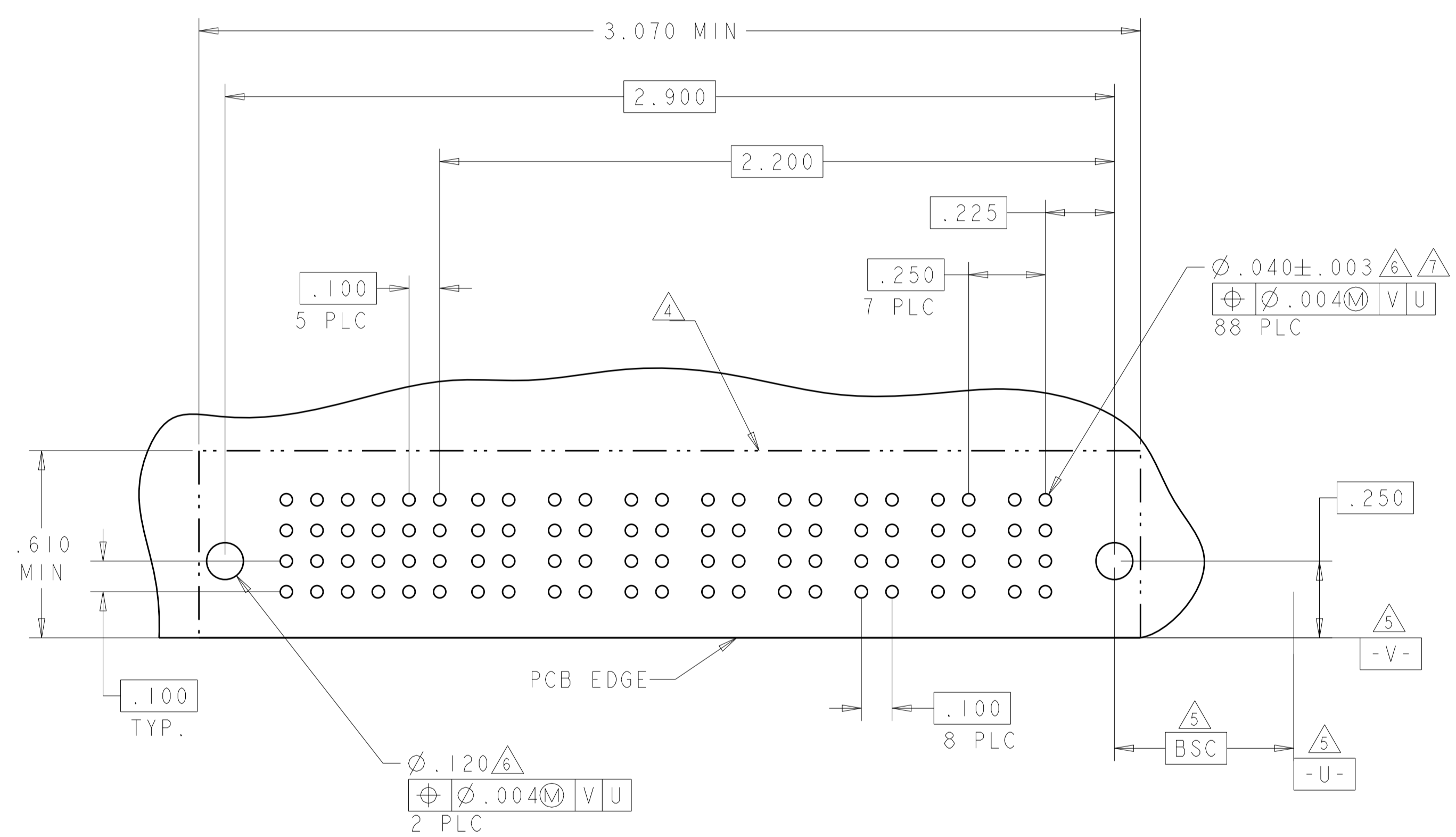
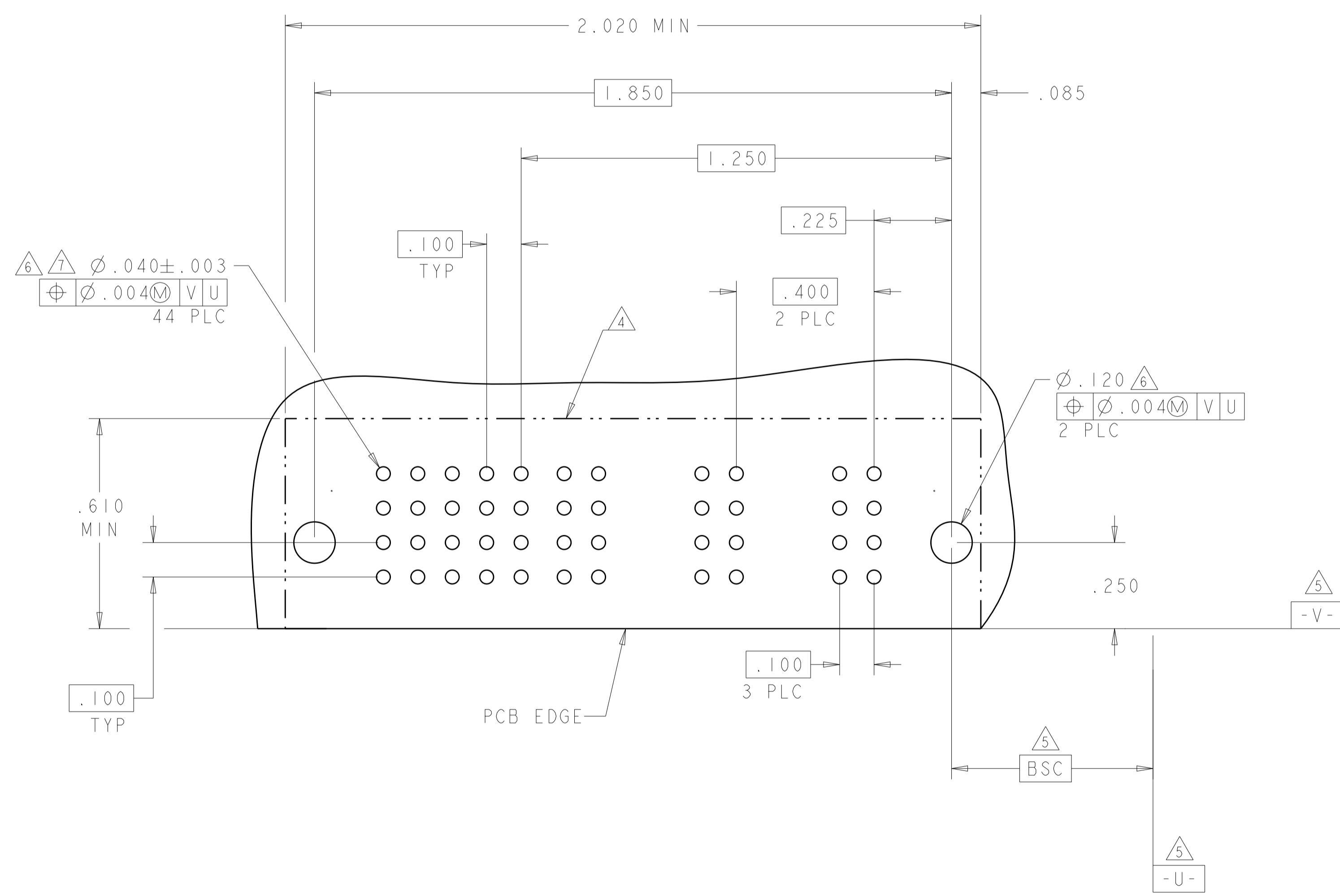
5HDP + 20S

NO CONTACTS LOADED

PART NUMBER	ROWS	SIGNAL					POWER								
		6	5	4	3	2	1	P8	P7	P6	P5	P4	P3	P2	P1
I-6450872-5	D	H	H	H	H	H	RM	RM	RM	RM	RM	RM	RM	RM	RM
	C	G	G	G	G	G									
	B	F	F	F	F	F									
	A	E	E	E	E	E									

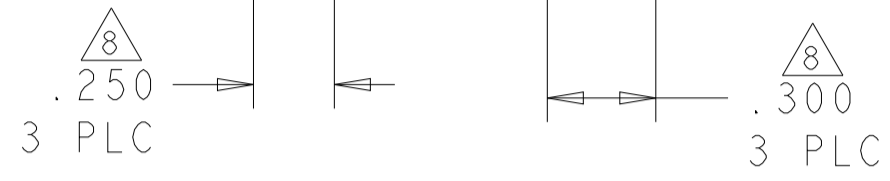
8HDP + 24S

(C1)

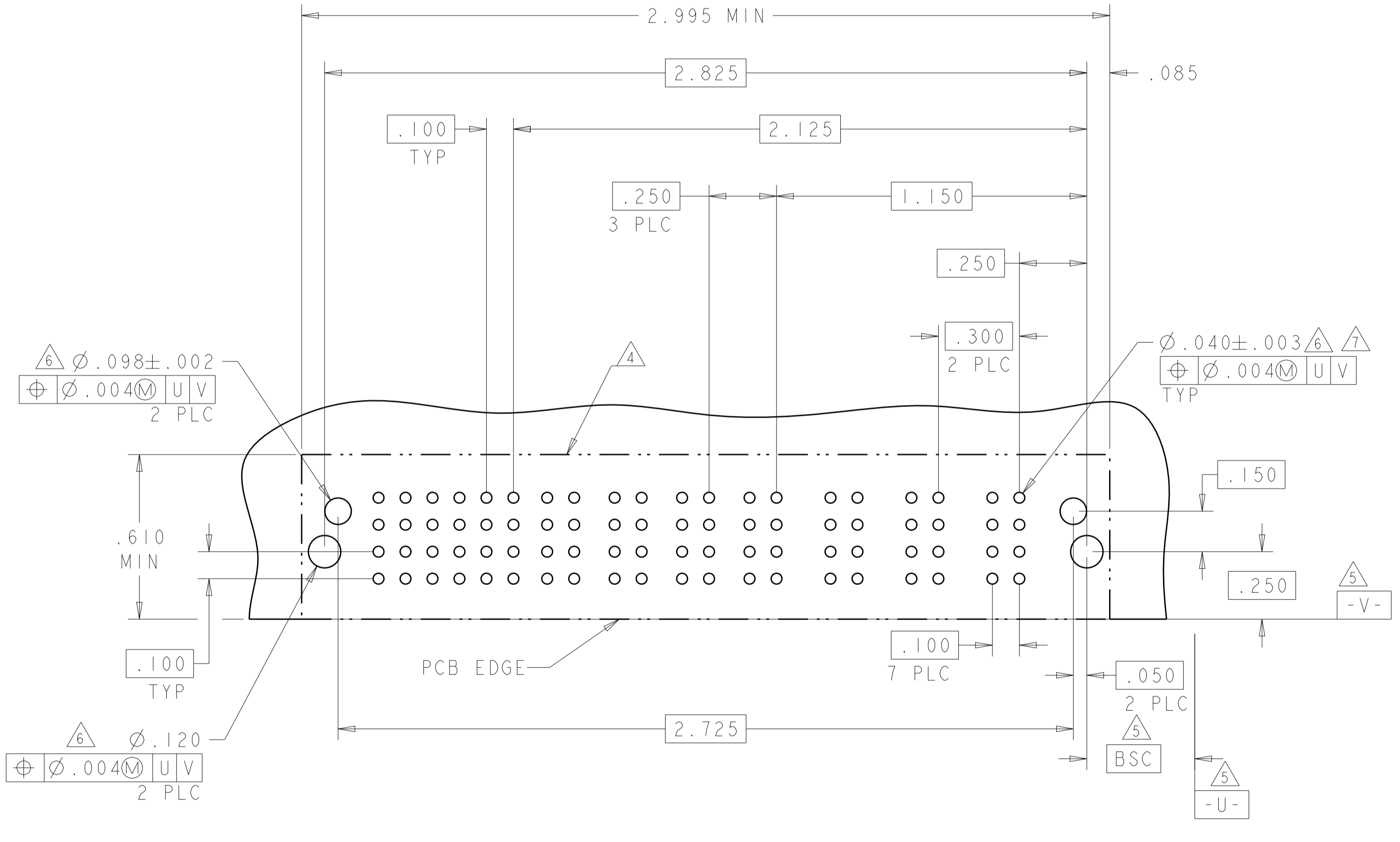
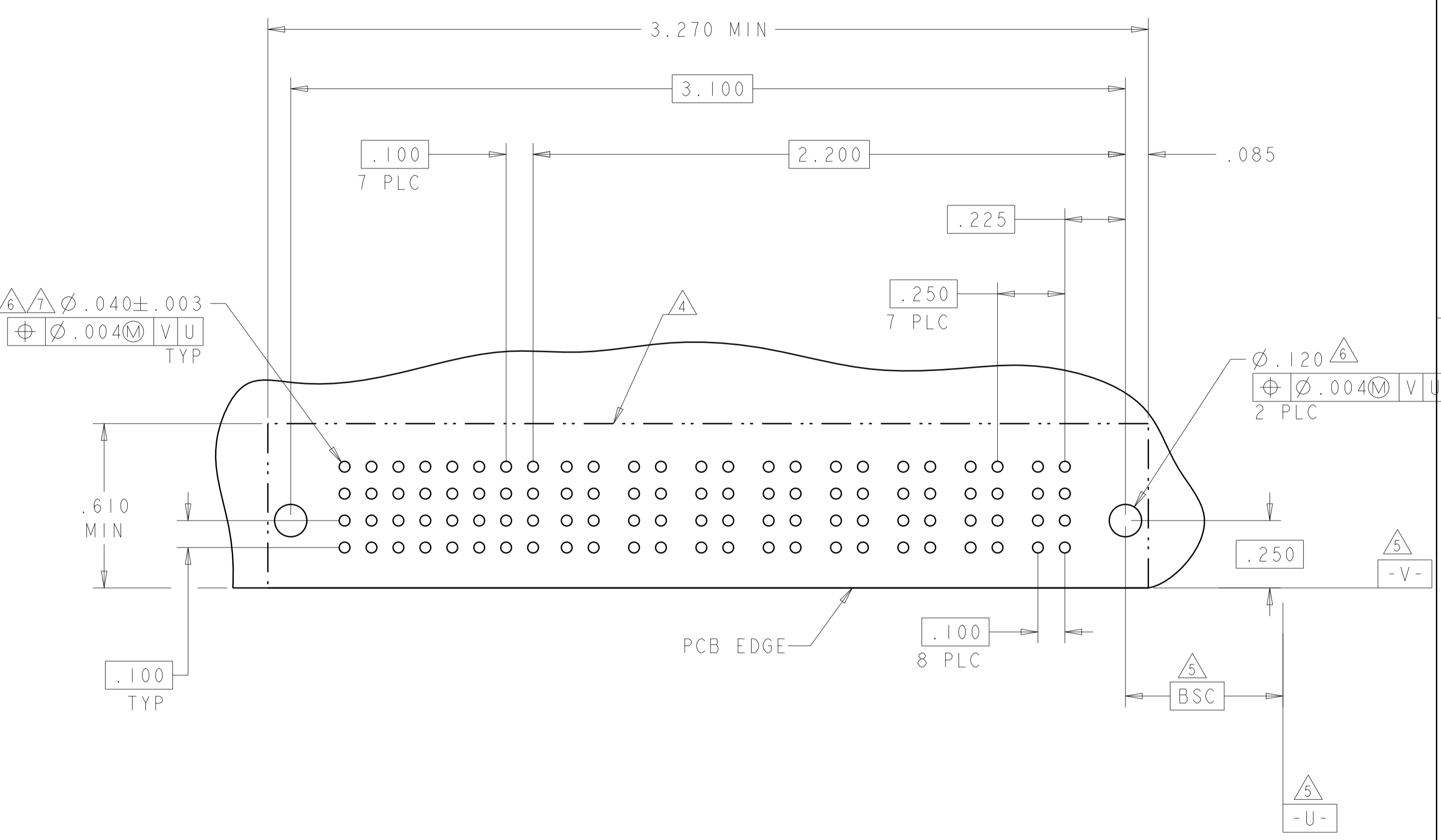


THIS DRAWING IS A CONTROLLED DOCUMENT.		OWN: C. ZHOU 06FEB2009	 TE Connectivity
DIMENSIONS: INCHES(MM)		CHK: S. ZHAO 06FEB2009	
TOLERANCES UNLESS OTHERWISE SPECIFIED:		APVD: S. ZHAO 06FEB2009	NAME: RIGHT ANGLE RECEPTACLE WITH LP AND SHORT END MODULAR MULTI-BEAM XLE
0 PLC ±.01		PRODUCT SPEC: 108-2292	SIZE: A100779
1 PLC ±.01		APPLICATION SPEC: 114-13251	CAGE CODE: 6450872
2 PLC ±.005		WEIGHT: -	RESTRICTED TO: -
3 PLC ±.0020		CUSTOMER DRAWING	SCALE: 4:1
ANGLES ±.020		FINISH	SHEET 9 OF 11
MATERIAL		DATE	REV: D3

PART NUMBER	ROWS	SIGNAL						POWER						
		6	5	4	3	2	1	P7	P6	P5	P4	P3	P2	P1
I-6450872-6	D C B A	H	H	H	H	H	H	RM	RM	RM	RM	RA	RM	RM
		G	G	G	G	G	G							
		F	F	F	F	F	F							
		E	E	E	E	E	E							
3ACP + 4P + 24S														



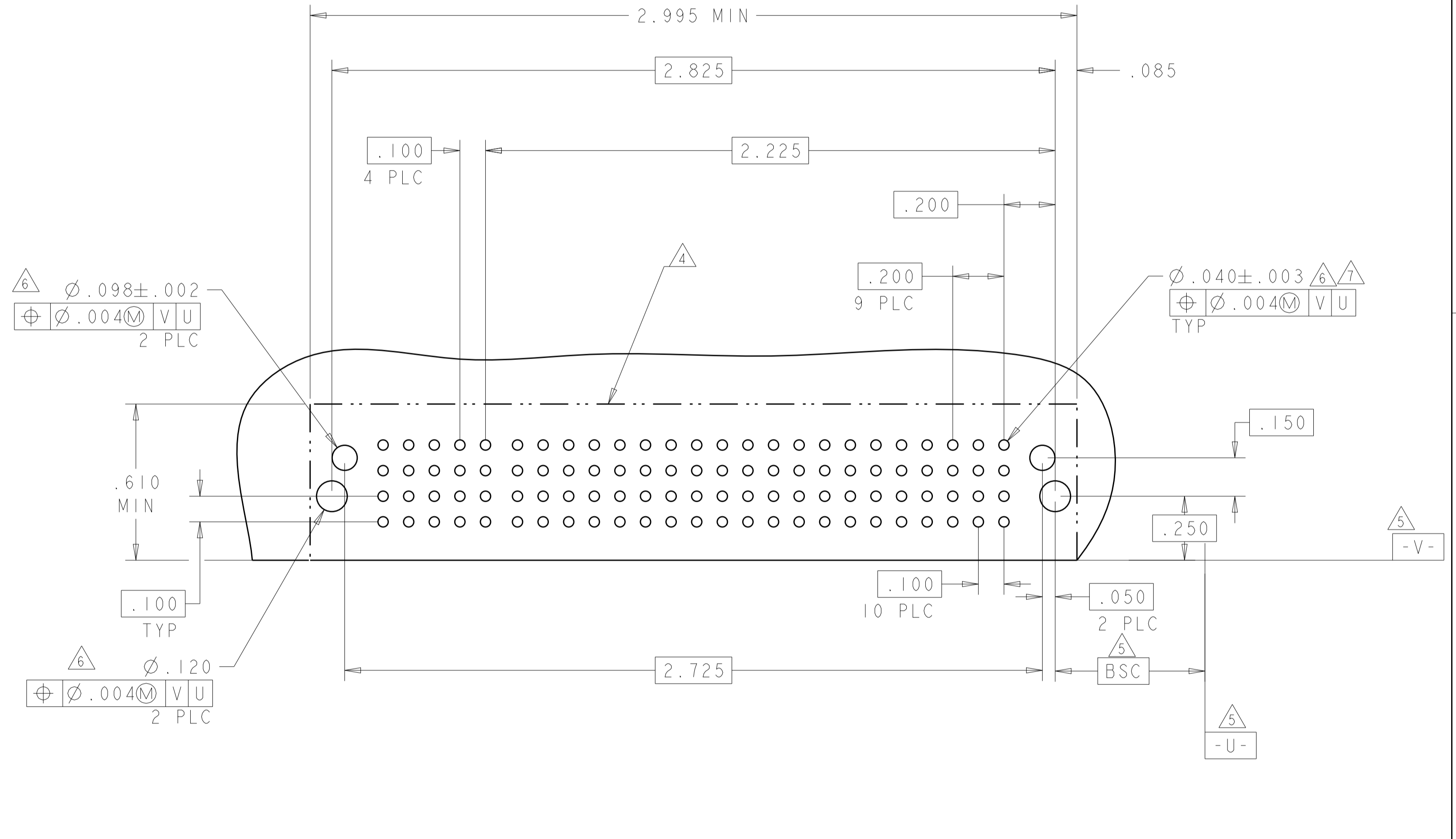
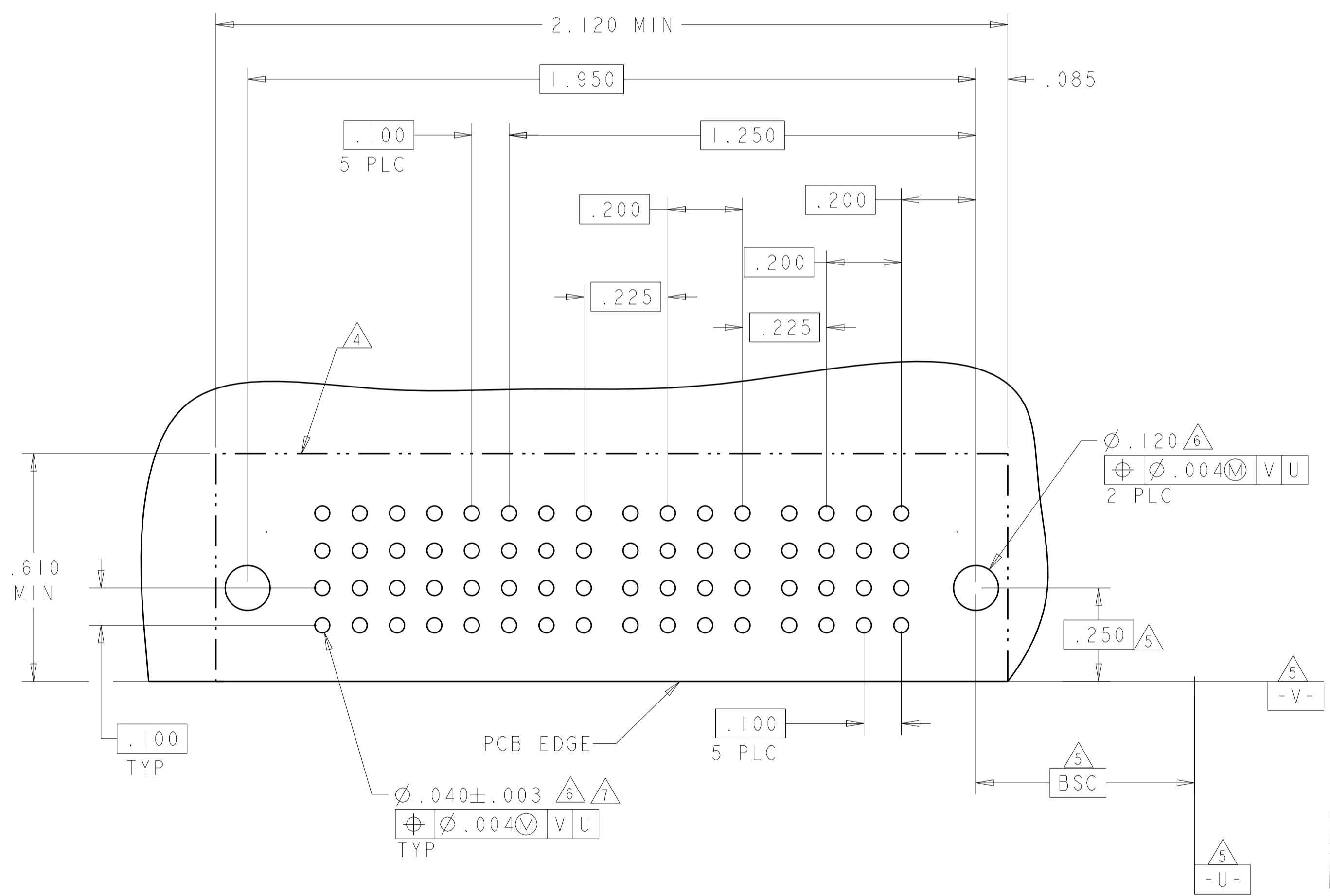
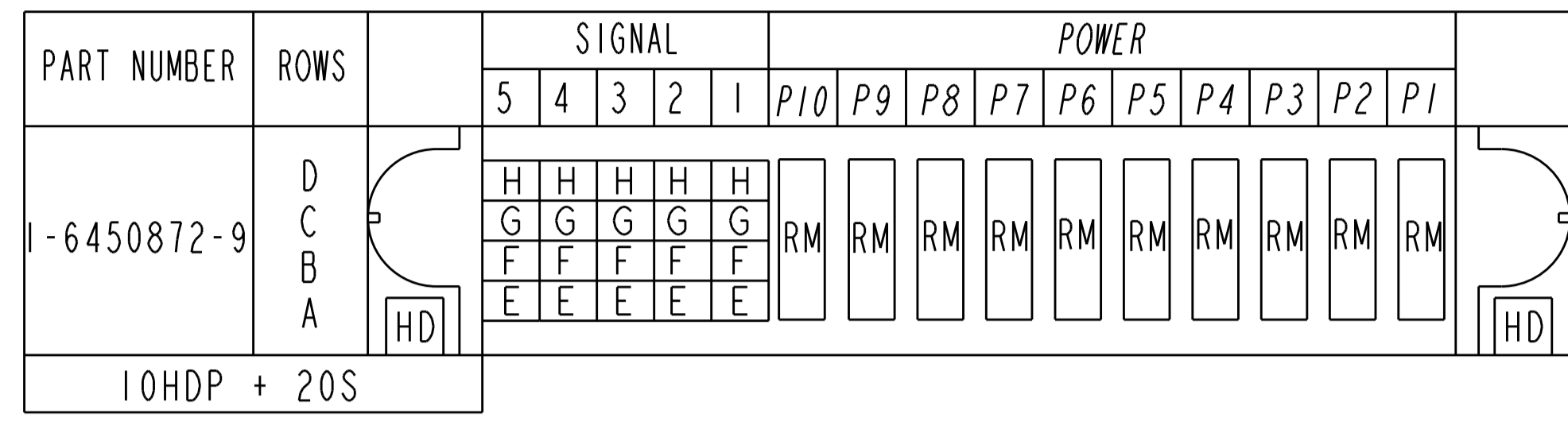
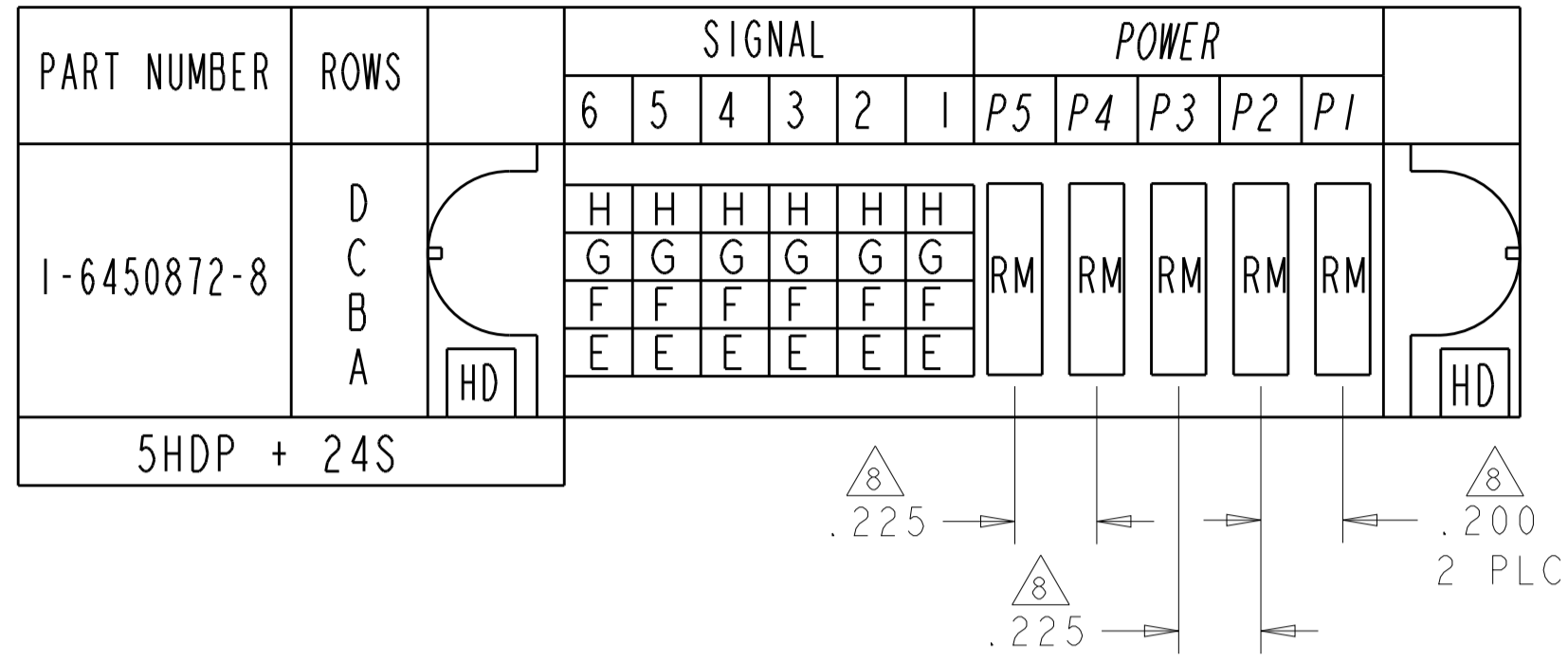
PART NUMBER	ROWS	SIGNAL								POWER							
		8	7	6	5	4	3	2	1	P8	P7	P6	P5	P4	P3	P2	P1
I-6450872-7	D C B A	H	H	H	H	H	H	H	H	RA	RM	RM	RM	RM	RM	RM	RM
		G	G	G	G	G	G	G	G								
		F	F	F	F	F	F	F	F								
		E	E	E	E	E	E	E	E								
8P + 32S																	



THIS DRAWING IS A CONTROLLED DOCUMENT.

DIMENSIONS: INCHES(MM)	TOLERANCES UNLESS OTHERWISE SPECIFIED:	0 PLC ±.01	1 PLC ±.01	2 PLC ±.01	3 PLC ±.005	4 PLC ±.002	ANGLES ±.2°	FINISH
MATERIAL		DWN: C. ZHOU 06FEB2009		CHK: S. ZHAO 06FEB2009		APVD: S. ZHAO 06FEB2009		DATE
CUSTOMER DRAWING		NAME: RIGHT ANGLE RECEPTACLE WITH LP AND SHORT END MODULAR MULTI-BEAM XLE		PRODUCT SPEC: 108-2292		APPLICATION SPEC: 114-13251		SCALE: 4:1
SCALE: 4:1		SHEET: 10 OF 11		REV: D3		CAGE CODE: A100779		DRAWING NO: 6450872

TE Connectivity



THIS DRAWING IS A CONTROLLED DOCUMENT.		DWN C. ZHOU 06FEB2009 CHK S. ZHAO 06FEB2009 APVD S. ZHAO 06FEB2009	<b>STE</b> TE Connectivity NAME RIGHT ANGLE RECEPTACLE WITH LP AND SHORT END MODULAR MULTI-BEAM XLE
DIMENSIONS: INCHES(MM) 	TOLERANCES UNLESS OTHERWISE SPECIFIED: 0 PLC ± 1 PLC ±.01 2 PLC ±.01 3 PLC ±.005 4 PLC ±.0020 ANGLES ±.2°	PRODUCT SPEC 108-2292 APPLICATION SPEC 114-13251 WEIGHT - CUSTOMER DRAWING	