



Chipsmall Limited consists of a professional team with an average of over 10 year of expertise in the distribution of electronic components. Based in Hongkong, we have already established firm and mutual-benefit business relationships with customers from,Europe,America and south Asia,supplying obsolete and hard-to-find components to meet their specific needs.

With the principle of “Quality Parts,Customers Priority,Honest Operation,and Considerate Service”,our business mainly focus on the distribution of electronic components. Line cards we deal with include Microchip,ALPS,ROHM,Xilinx,Pulse,ON,Everlight and Freescale. Main products comprise IC,Modules,Potentiometer,IC Socket,Relay,Connector.Our parts cover such applications as commercial,industrial, and automotives areas.

We are looking forward to setting up business relationship with you and hope to provide you with the best service and solution. Let us make a better world for our industry!



Contact us

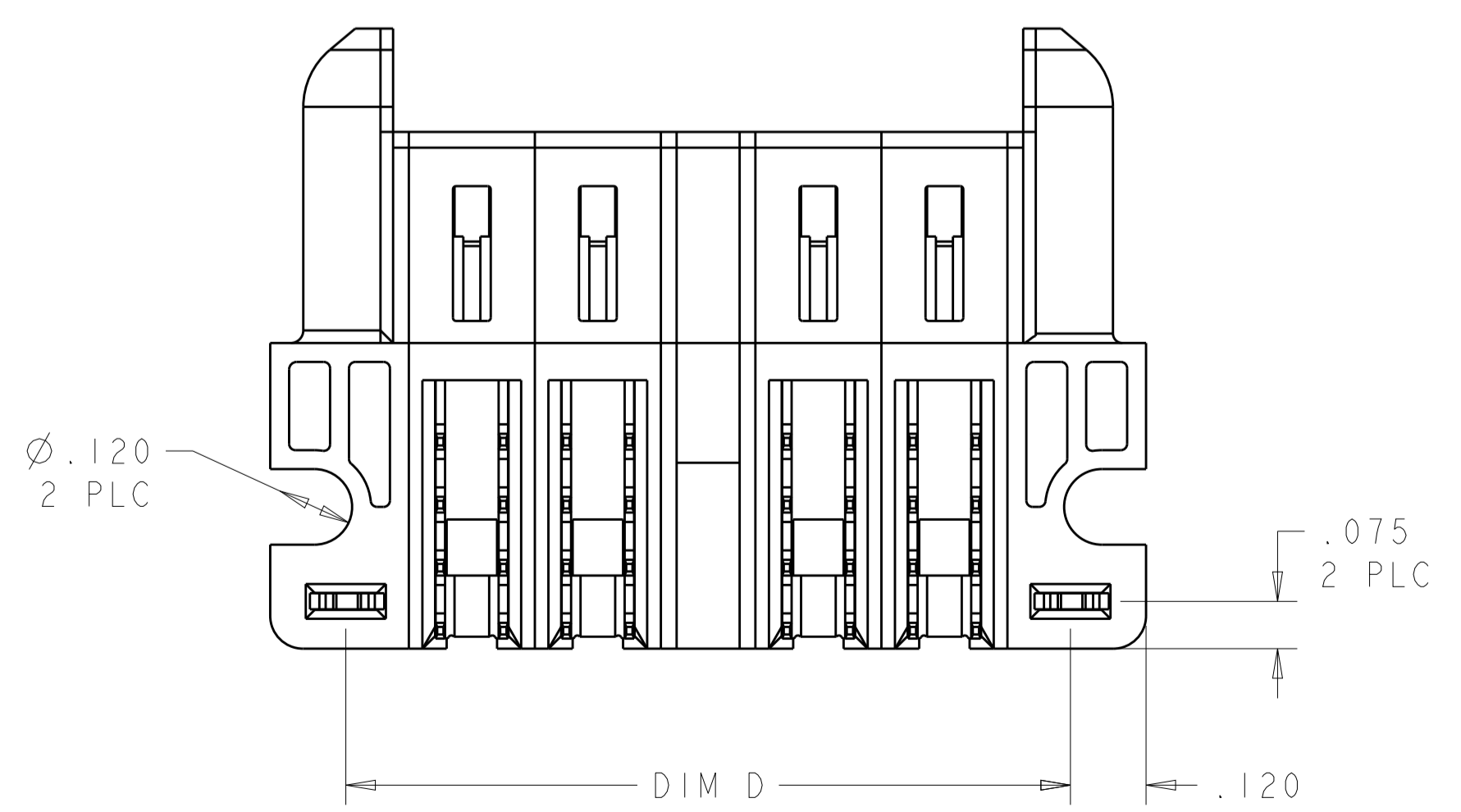
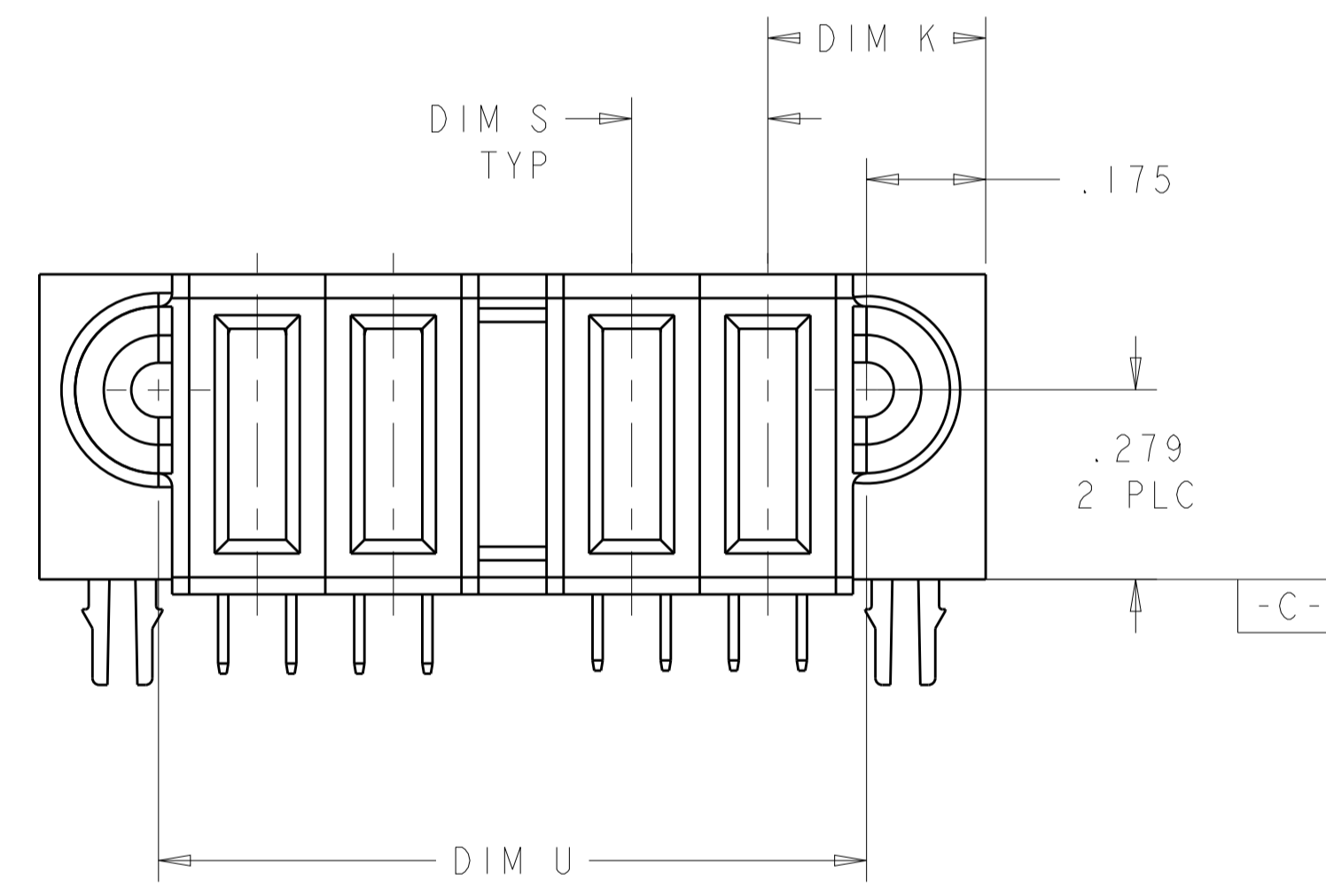
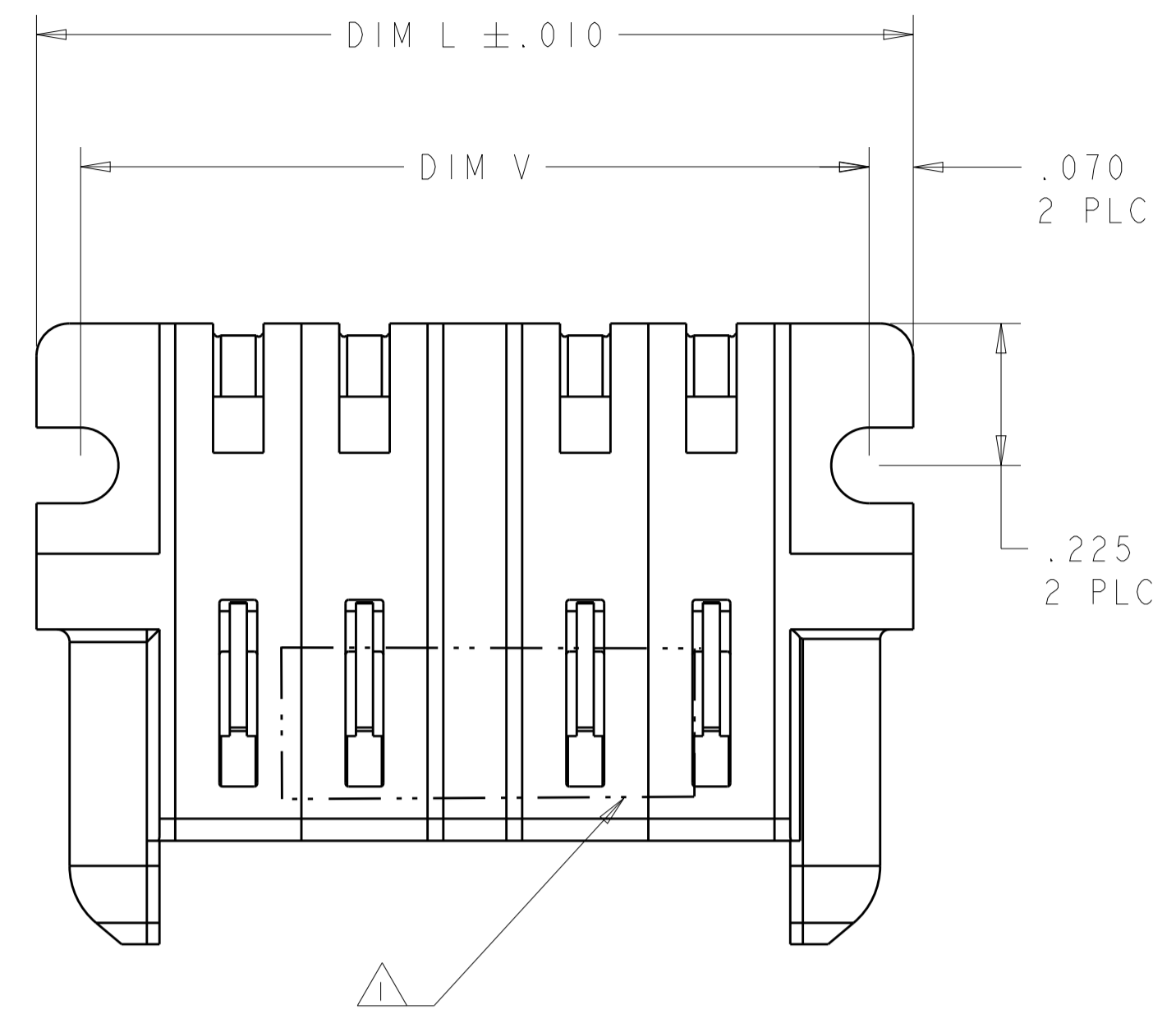
Tel: +86-755-8981 8866 Fax: +86-755-8427 6832

Email & Skype: info@chipsmall.com Web: www.chipsmall.com

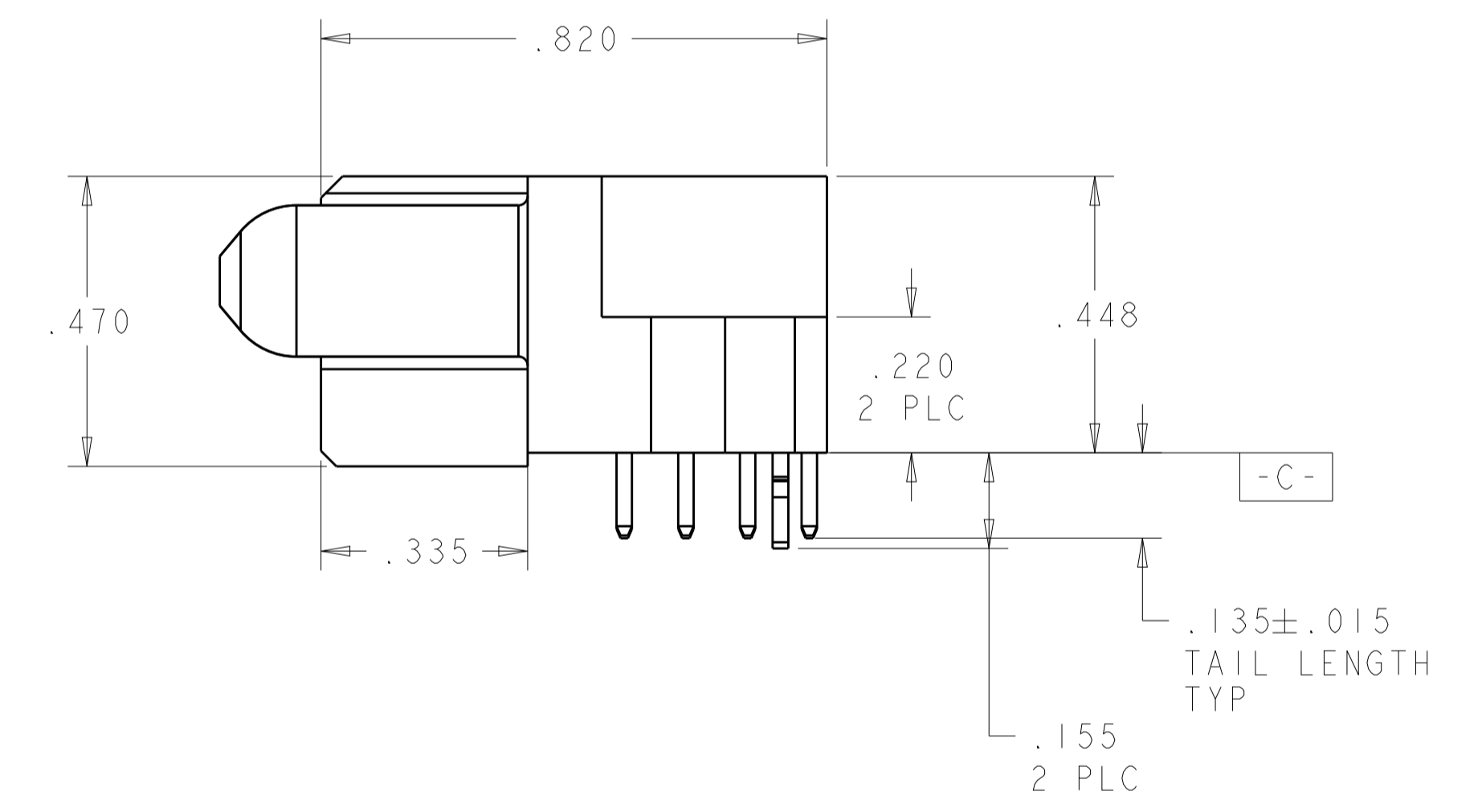
Address: A1208, Overseas Decoration Building, #122 Zhenhua RD., Futian, Shenzhen, China



LOC		DIST		REVISIONS			
ES	00	REV	DATE	BY	CHK	APPD	
B		REV PER ECR-11-017732	26AUG2011	CZ	SY		
B1		ADDED THE DASH NUMBER -4	27JUL2012	ML	SZ		



- 1 "AMP", PART NUMBER, AND DATECODE TO BE MARKED IN AREA SHOWN. PARTS UNDER 2.00[50.8] LONG MAY BE MARKED ON BOTH SIDES.
- 2 MATERIAL: HOUSING - GLASS FILLED HIGH TEMP THERMO PLASTIC, BLACK, UL94 V-0
 SIGNAL CONTACT - COPPER ALLOY
 POWER CONTACT - HIGH CONDUCTIVITY COPPER ALLOY
- 3 CONTACT PLATING: NOBLE METAL PLATING ON CONTACT FUNCTIONAL AREA OF POWER AND SIGNAL CONTACTS.
- 4 MECHANICAL CONNECTOR KEEP OUT ZONE.
- 5 DATUM AND BASIC DIMENSIONS ESTABLISHED BY CUSTOMER.
- 6 PCB - HOLE DIAMETERS ARE FINISHED HOLE SIZE.
- 7 PCB - .0453±.0010[1.151±0.025] DRILLED HOLES PLATED WITH .0003[0.008] MIN Sn OVER .001[0.03] TO .003[0.08] Cu PLATING TO ACHIEVE A .040[1.02] DIA HOLE.
- 8 VARIABLE DIMENSIONS SHOWN ON PART VIEW



.250	1.440	1.300	1.090	1.200	.345	4P	6450873-4
8	1.460	1.320	1.110	-	.3275 8	6 LP	6450873-3
.230 8	5.960	5.820	5.610	-	.2775 8	24 LP	6450873-2
.200	1.390	1.250	1.040	1.150	.320	4HDP	6450873-1
DIM S	DIM L	DIM V	DIM U	DIM D	DIM K	DESCRIPTION	PART NUMBER

THIS DRAWING IS A CONTROLLED DOCUMENT. DWN: T. LEE 10MAR2010
 CHK: S. ZHAO 10MAR2010

DIMENSIONS: INCHES(MM)
 TOLERANCES UNLESS OTHERWISE SPECIFIED:
 0 PLC ±.
 1 PLC ±.01
 2 PLC ±.01
 3 PLC ±.005
 4 PLC ±.0020
 ANGLES ±.020

MATERIAL: 2
 FINISH: 3

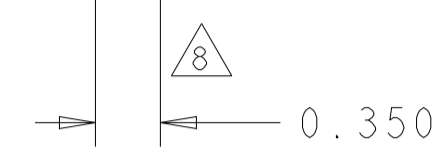
APVD: S. ZHAO
 PRODUCT SPEC: 108-2292
 APPLICATION SPEC: 114-13251
 WEIGHT: -
 CUSTOMER DRAWING

NAME: RIGHT ANGLE RECEPTACLE WITH LP SHORT END MODULAR, SOLDER MULTI-BEAM XLE
 SIZE: A1
 CAGE CODE: 6450873
 DRAWING NO: 100779
 SCALE: 4:1
 SHEET: 1 OF 3
 REV: B2

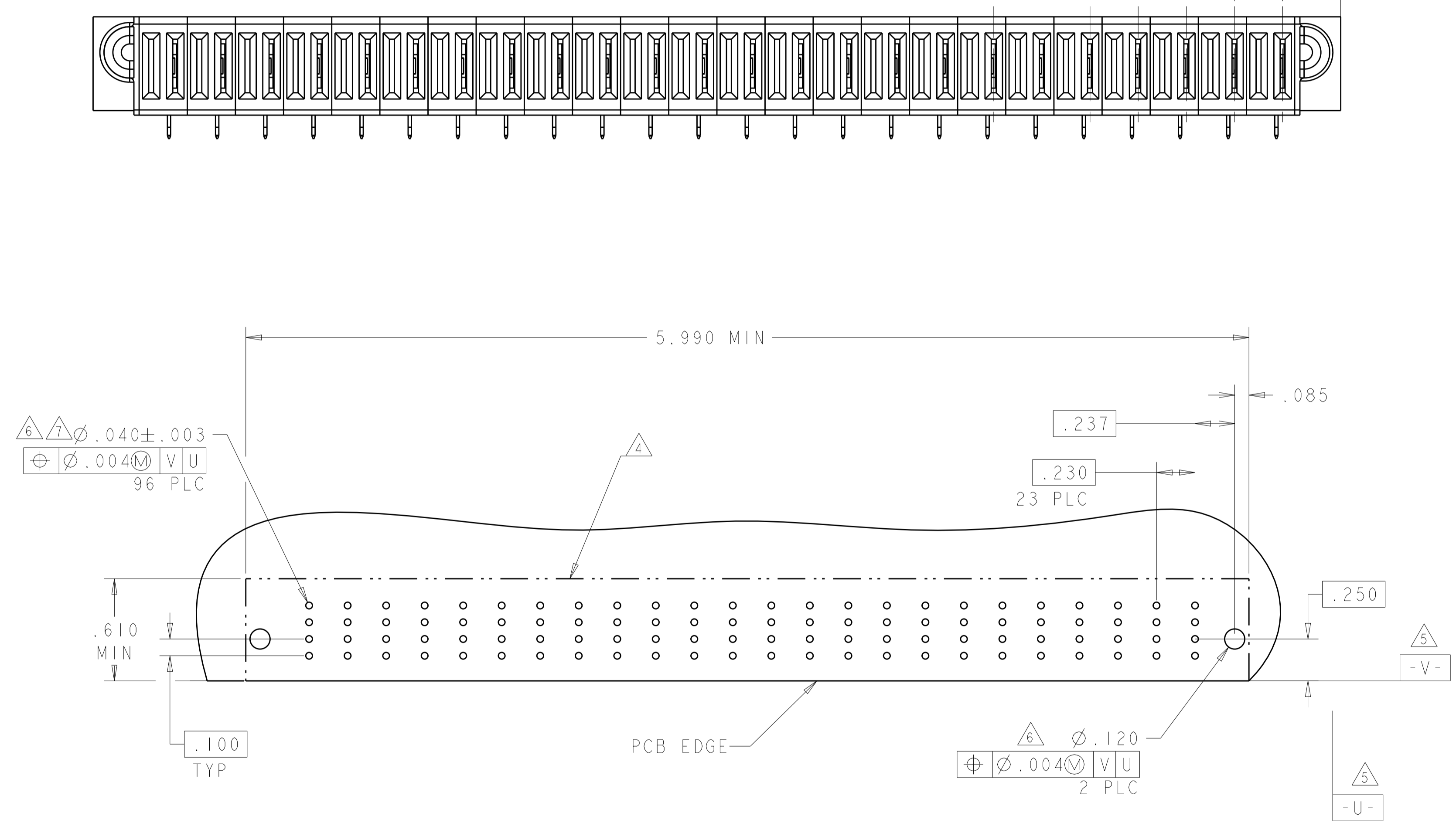
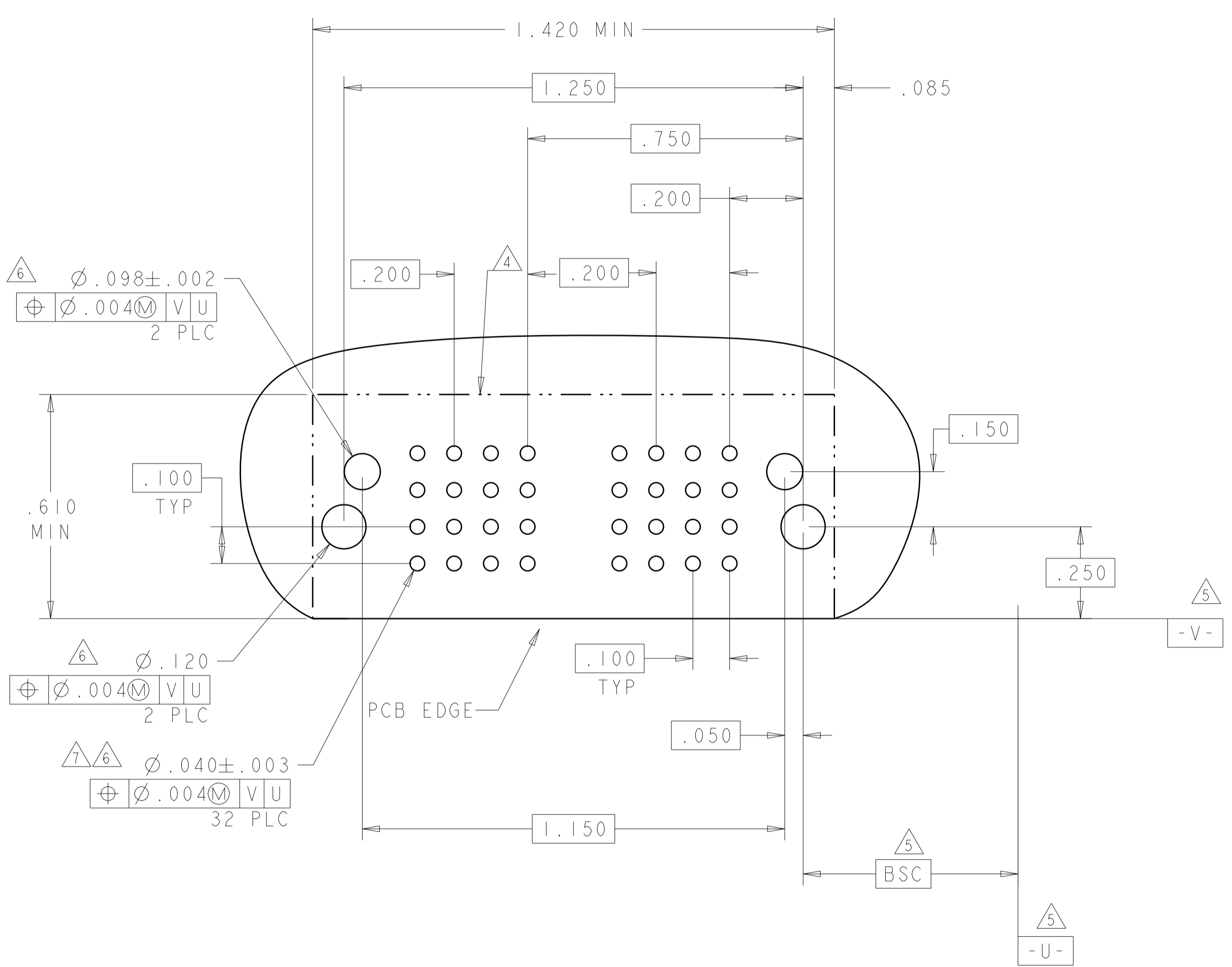
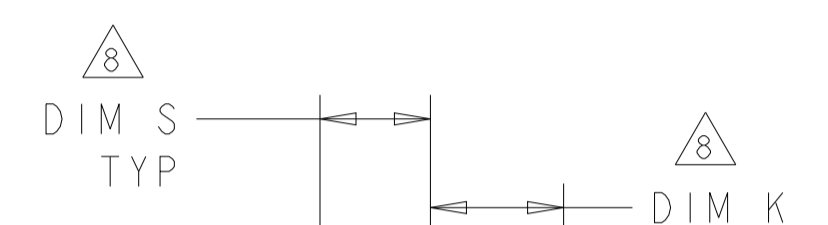
TE Connectivity

LOC	DIST	REVISIONS			
		REV	DATE	BY	APPD
ES	00	-	-	-	-
		SEE SHEET 1			

PART NUMBER	ROWS	POWER			
		P4	P3	P2	P1
6450873-1	D	RA	RA	RA	RA
	C				
	B				
	A				
4HDP		HD			HD



PART NUMBER	ROWS	LOW POWER																							
		LP24	LP23	LP22	LP21	LP20	LP19	LP18	LP17	LP16	LP15	LP14	LP13	LP12	LP11	LP10	LP9	LP8	LP7	LP6	LP5	LP4	LP3	LP2	LP1
6450873-2	D	LM	LM	LM	LM	LM	LM	LM	LM	LM	LM	LM	LM	LM	LM	LM	LM	LM	LM	LM	LM	LM	LM	LM	LM
	C																								
	B																								
	A																								
24 LP																									



LOWER POWER CONTACT, .135 TAIL LENGTH	LM
POWER CONTACT, MFB, .135 TAIL LENGTH	RA
POWER CONTACT, STD, .135 TAIL LENGTH	RM
HOLD DOWN	HD
DESCRIPTION	IDENTIFIER

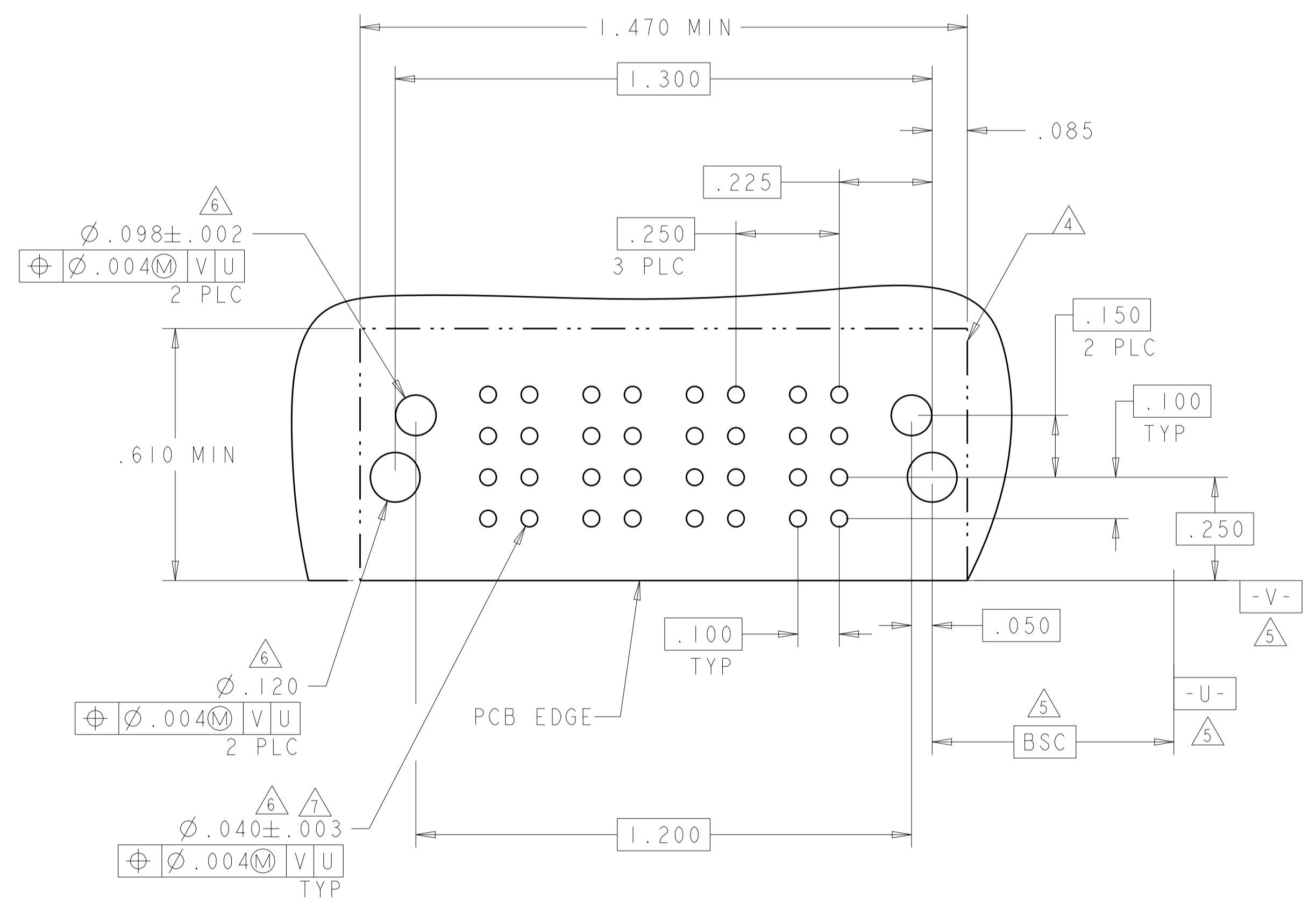
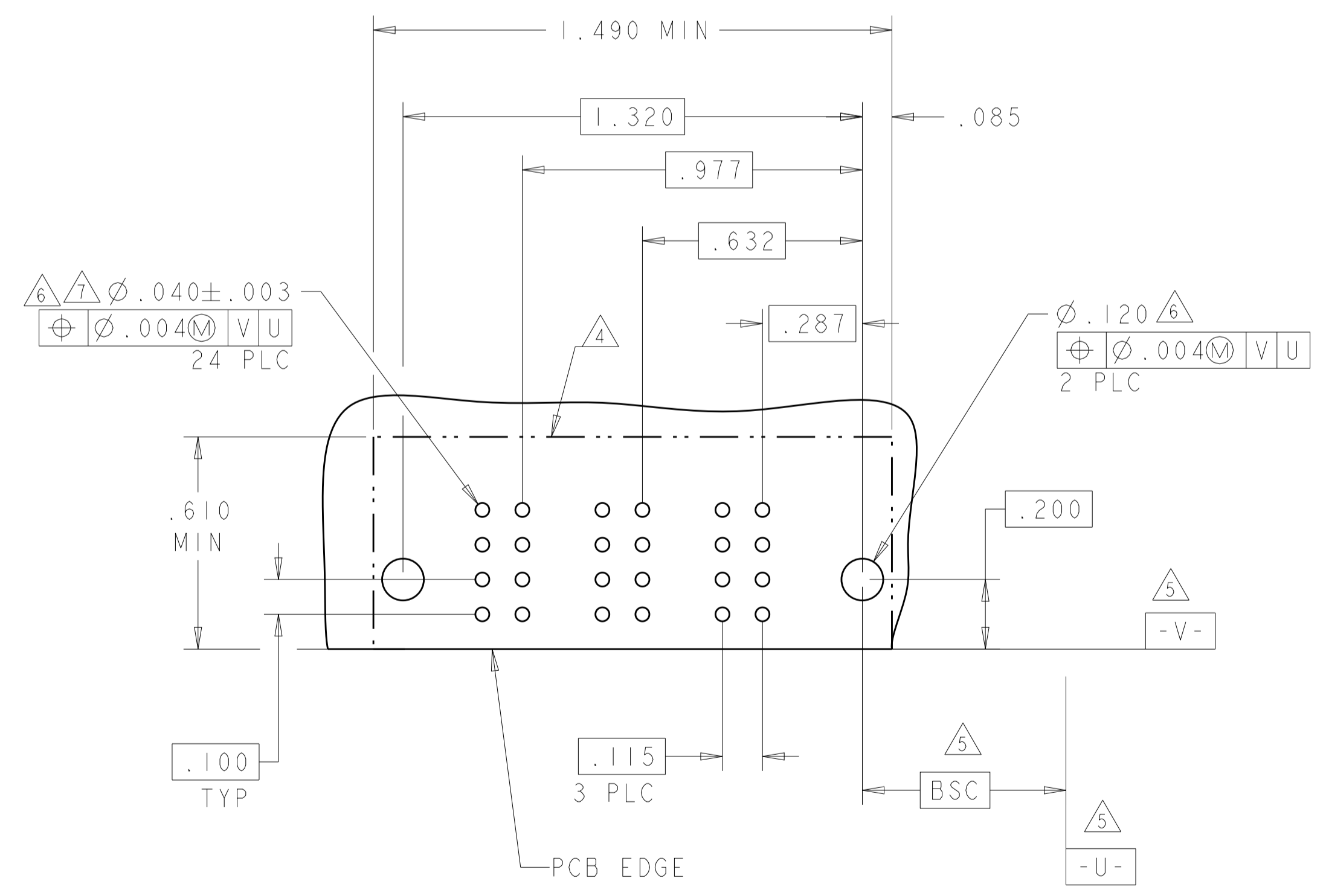
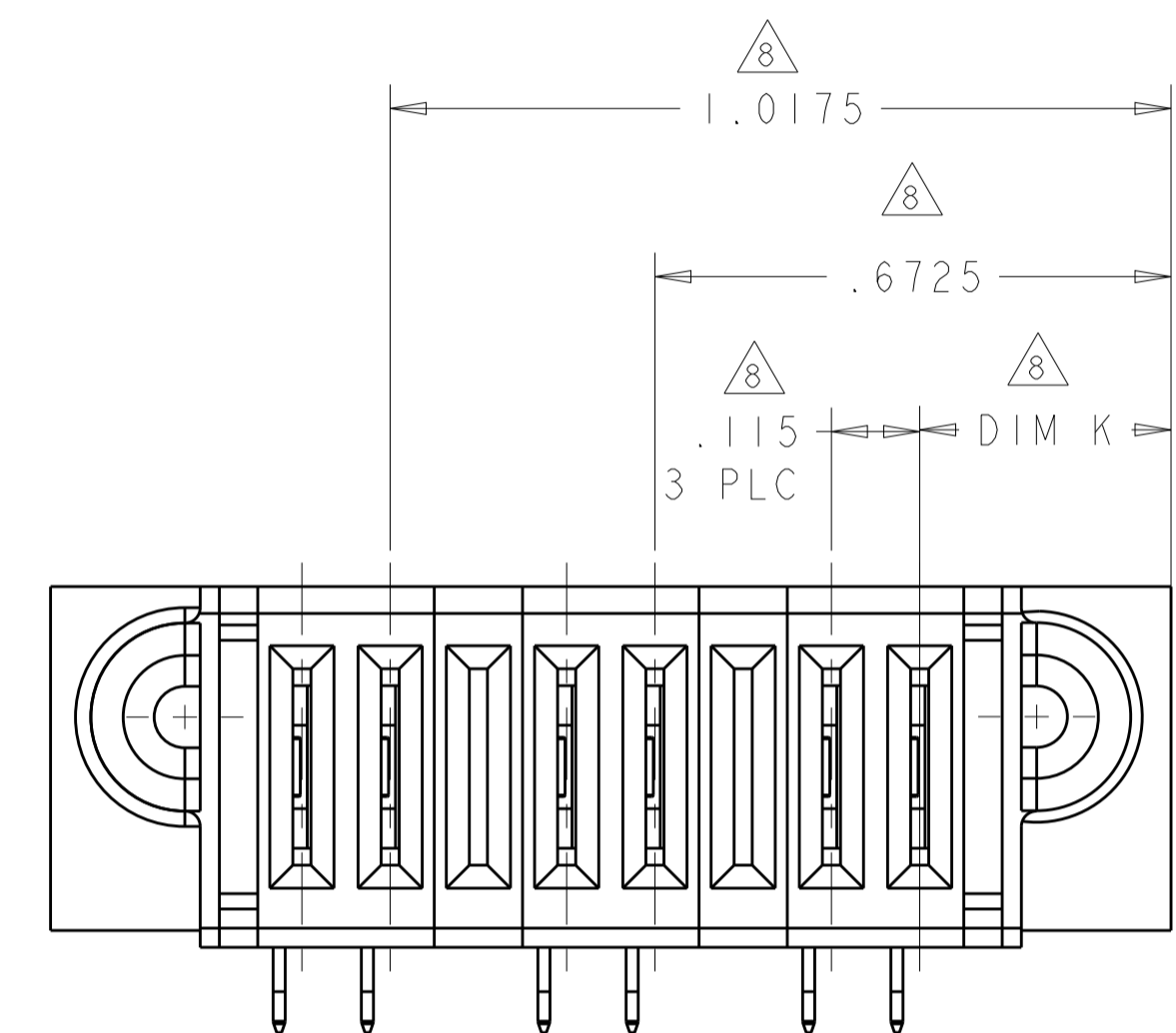
THIS DRAWING IS A CONTROLLED DOCUMENT.		OWN: T. LEE	DATE: 10MAR2010	TE Connectivity
DIMENSIONS: INCHES(MM)		CHK: S. ZHAO	DATE: 10MAR2010	
TOLERANCES UNLESS OTHERWISE SPECIFIED:		APVD: S. ZHAO	NAME: RIGHT ANGLE RECEPTACLE WITH LP SHORT END MODULAR, SOLDER MULTI-BEAM XLE	RESTRICTED TO
0 PLC ±.01		PRODUCT SPEC: 108-2292	SIZE: 114-13251	
1 PLC ±.01		APPLICATION SPEC: 114-13251	WEIGHT: -	SCALE: 4:1
2 PLC ±.01		APPLIC: -	CUSTOMER DRAWING	
3 PLC ±.005		APPLIC: -	FINISH: -	SHEET 2 OF 3
4 PLC ±.0020		APPLIC: -	FINISH: -	
ANGLES ±.0020		APPLIC: -	FINISH: -	REV: B2
FINISH: -		APPLIC: -	FINISH: -	

LOC	DIST	REVISIONS					
		P	LTN	DESCRIPTION	DATE	DMN	APVD
ES	00	-	-	SEE SHEET 1	-	-	-

PART NUMBER	ROWS	LOW POWER					
		LP6	LP5	LP4	LP3	LP2	LP1
6450873-3	D						
	C	LM	LM	LM	LM	LM	LM
	B						
	A						
6 LP							

PART NUMBER	ROWS	POWER			
		P4	P3	P2	P1
6450873-4	D				
	C	RM	RM	RM	RM
	B				
	A	HD			HD
4P					

(B)



THIS DRAWING IS A CONTROLLED DOCUMENT. DWN: T. LEE 10MAR2010
 CHK: S. ZHAO 10MAR2010

DIMENSIONS: INCHES(MM)
 TOLERANCES UNLESS OTHERWISE SPECIFIED:
 0 PLC ±.
 1 PLC ±.01
 2 PLC ±.01
 3 PLC ±.005
 4 PLC ±.0020
 ANGLES ±.7°

MATERIAL: - FINISH: -

APVD: S. ZHAO
 PRODUCT SPEC: 108-2292
 APPLICATION SPEC: 114-13251
 WEIGHT: -

CUSTOMER DRAWING

NAME: RIGHT ANGLE RECEPTACLE WITH LP SHORT END MODULAR, SOLDER MULTI-BEAM XLE
 SIZE: A1
 CAGE CODE: 100779
 DRAWING NO: C=6450873

RESTRICTED TO: -
 SCALE: 4:1 SHEET 3 OF 3 REV: B2

TE Connectivity