



Chipsmall Limited consists of a professional team with an average of over 10 year of expertise in the distribution of electronic components. Based in Hongkong, we have already established firm and mutual-benefit business relationships with customers from,Europe,America and south Asia,supplying obsolete and hard-to-find components to meet their specific needs.

With the principle of “Quality Parts,Customers Priority,Honest Operation,and Considerate Service”,our business mainly focus on the distribution of electronic components. Line cards we deal with include Microchip,ALPS,ROHM,Xilinx,Pulse,ON,Everlight and Freescale. Main products comprise IC,Modules,Potentiometer,IC Socket,Relay,Connector.Our parts cover such applications as commercial,industrial, and automotives areas.

We are looking forward to setting up business relationship with you and hope to provide you with the best service and solution. Let us make a better world for our industry!



Contact us

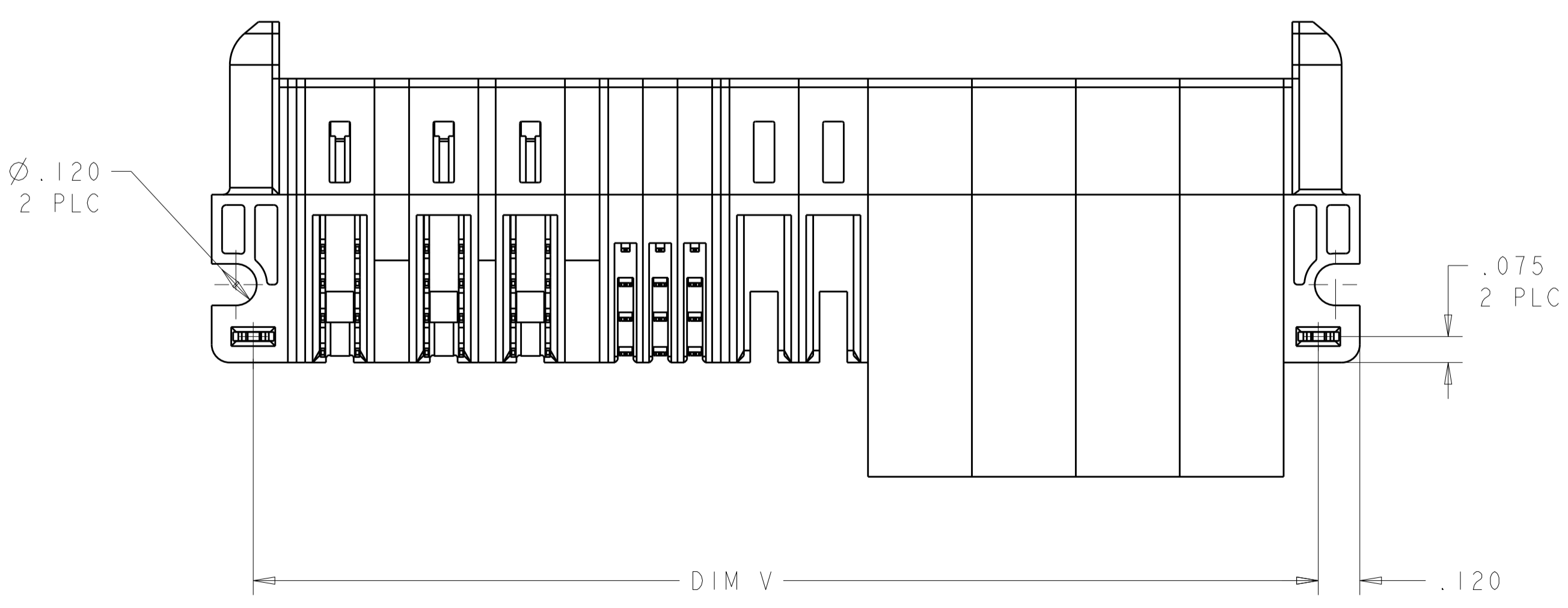
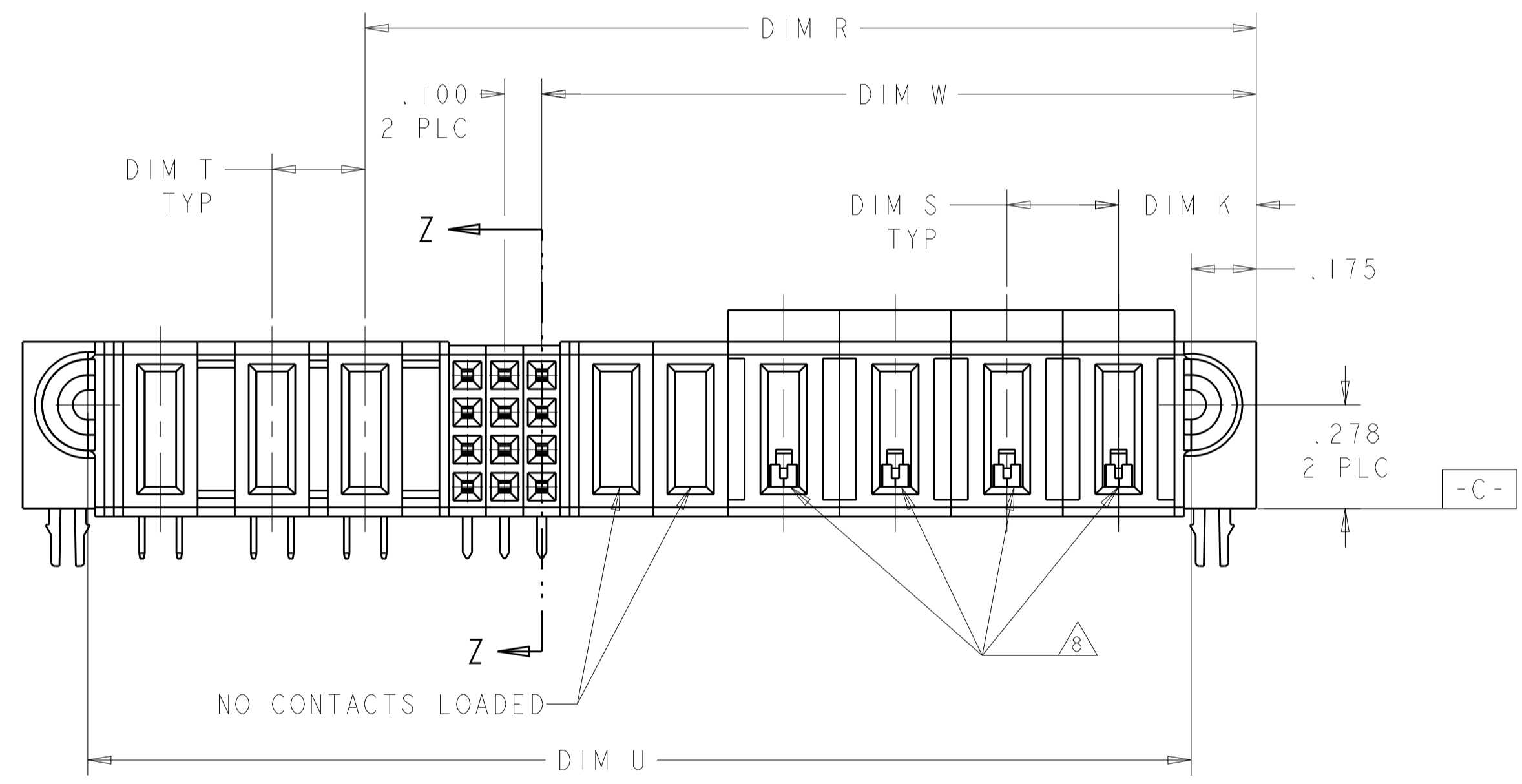
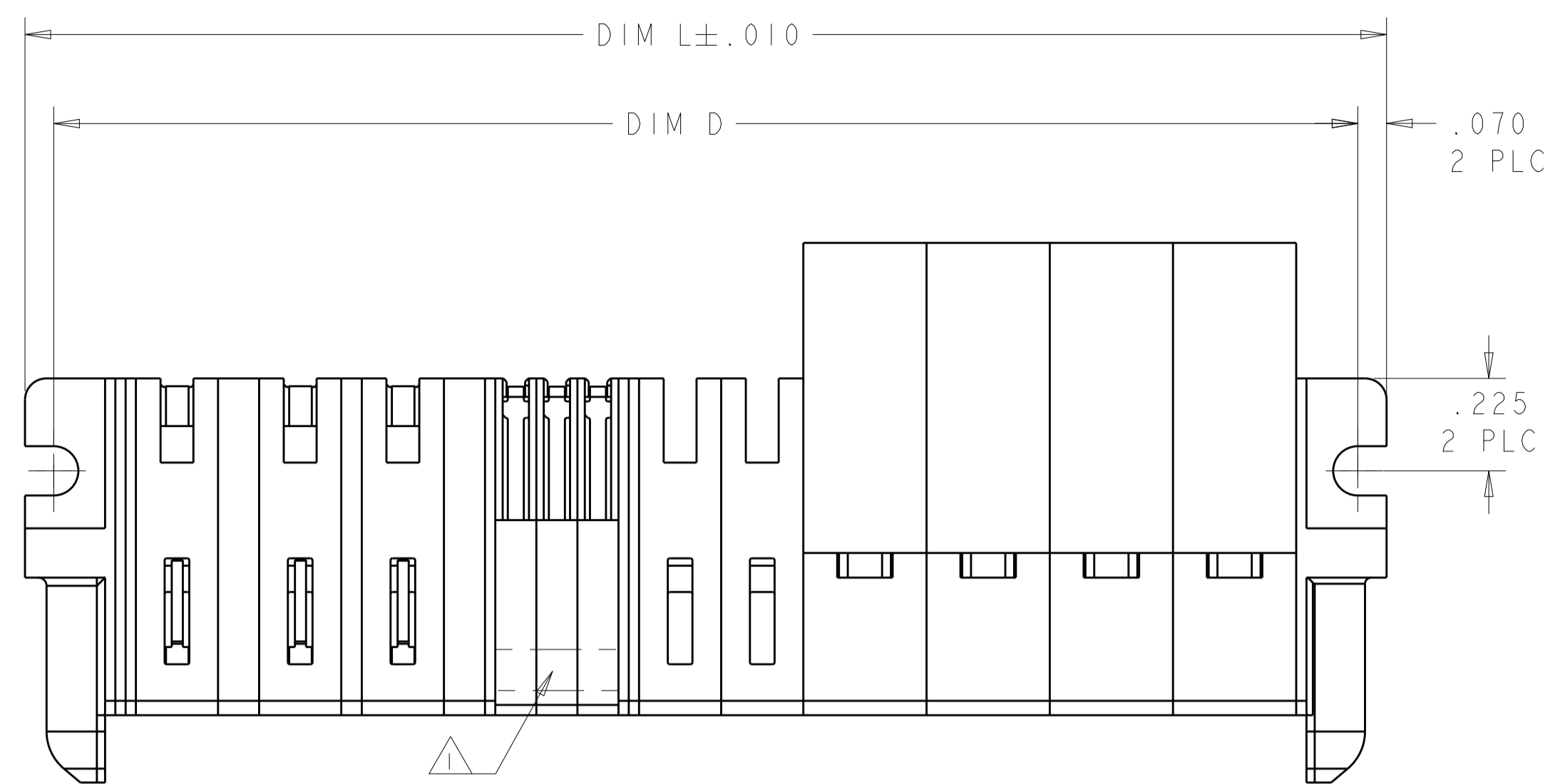
Tel: +86-755-8981 8866 Fax: +86-755-8427 6832

Email & Skype: info@chipsmall.com Web: www.chipsmall.com

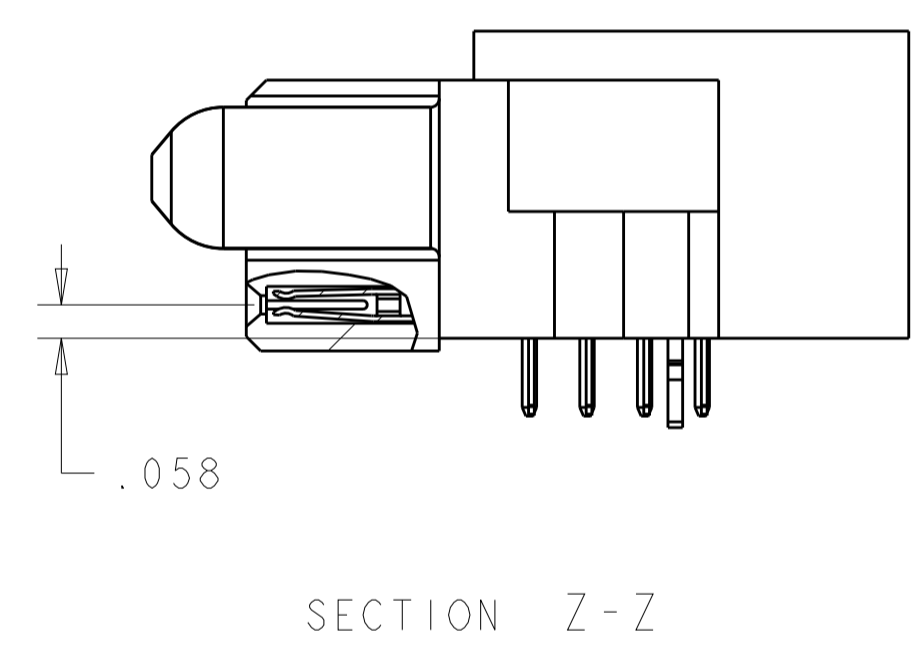
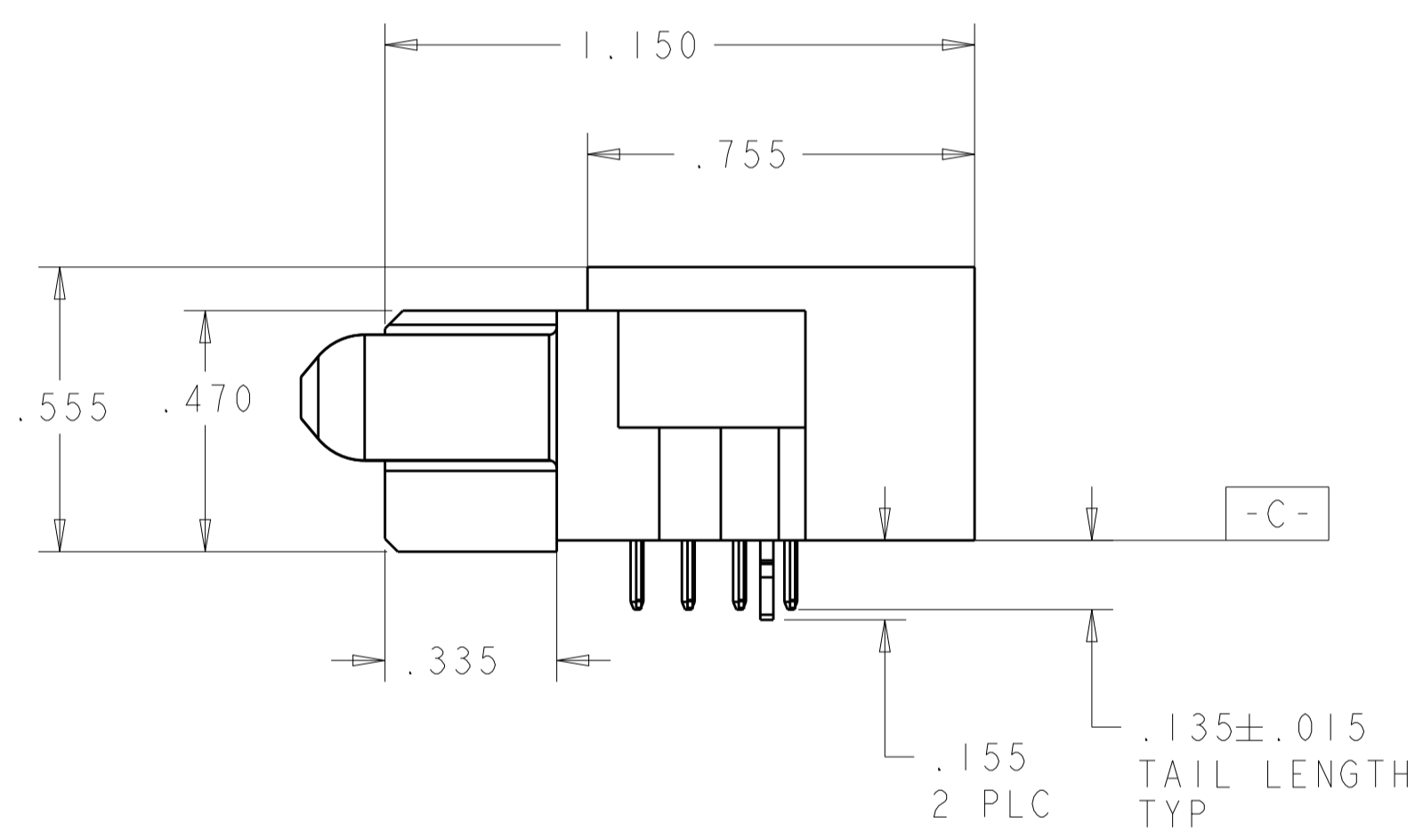
Address: A1208, Overseas Decoration Building, #122 Zhenhua RD., Futian, Shenzhen, China



LOC		DIST		REVISIONS			
ES	00	P	LTN	DESCRIPTION	DATE	DWN	APVD
		B3		ADDED NEW DASH NUMBER -7	12SEP2016	CZ	SZ
		B4		ADDED NEW DASH NUMBER -8	29SEP2016	RS	SZ



- ⚠ "AMP", PART NUMBER, AND DATECODE TO BE MARKED IN AREA SHOWN. PARTS UNDER 2.00 LONG MAY BE MARKED ON BOTH SIDES.
- ⚠ MATERIAL: HOUSING - GLASS FILLED HIGH TEMP THERMO PLASTIC, BLACK, UL94 V-0
SIGNAL CONTACT - COPPER ALLOY
POWER CONTACT - HIGH CONDUCTIVITY COPPER ALLOY
- ⚠ CONTACT PLATING: NOBLE METAL PLATING ON CONTACT FUNCTIONAL AREA OF POWER AND SIGNAL CONTACTS.
- ⚠ MECHANICAL CONNECTOR KEEP OUT ZONE.
- ⚠ DATUM AND BASIC DIMENSIONS ESTABLISHED BY CUSTOMER.
- ⚠ PCB - HOLE DIAMETERS ARE FINISHED HOLE SIZE.
- ⚠ PCB - .0453±.0010 DRILLED HOLES PLATED WITH .0003 MIN Sn OVER .001 TO .003 Cu PLATING TO ACHIEVE A .040 DIA HOLE.
- ⚠ A/C POWER CABLE CONTACT LOADED IN THESE CAVITIES.
- ⚠ VARIABLE DIMENSIONS PLEASE SEE PART TABLE.



PROPOSED PART

-	-	⚠	5.290	5.050	4.940	5.150	4.420	.370	3ACP + 12P + 28S	6450874-8
-	-	⚠	5.290	5.050	4.940	5.150	4.420	.370	3ACP + 12P + 28S	6450874-7
-	-	⚠	4.015	3.775	3.665	3.875	3.445	.370	3ACP + 9P + 16S	6450874-6
-	-	⚠	4.015	3.775	3.665	3.875	3.445	.370	3ACP + 9P + 16S	6450874-5
-	-	⚠	5.290	5.050	4.940	5.150	4.420	.370	3ACP + 12P + 28S	6450874-4
-	-	⚠	2.965	2.725	2.615	2.825	2.195	.370	3ACP + 4P + 24S	6450874-3
-	-	⚠	5.290	5.050	4.940	5.150	4.420	.370	3ACP + 12P + 28S	6450874-2
⚠	2.395	.300	3.315	3.075	2.965	3.175	1.920	.370	4ACP + 12S + 3P	6450874-1
DIM T	DIM R	DIM S	DIM L	DIM V	DIM U	DIM D	DIM W	DIM K	DESCRIPTION	PART NUMBER

THIS DRAWING IS A CONTROLLED DOCUMENT. DWN: C. ZHOU 02JUN2009
CHK: S. ZHAO 02JUN2009

DIMENSIONS: INCHES(MM)
TOLERANCES UNLESS OTHERWISE SPECIFIED:
0 PLC ±.
1 PLC ±.01
2 PLC ±.01
3 PLC ±.005
4 PLC ±.002
ANGLES ±.02

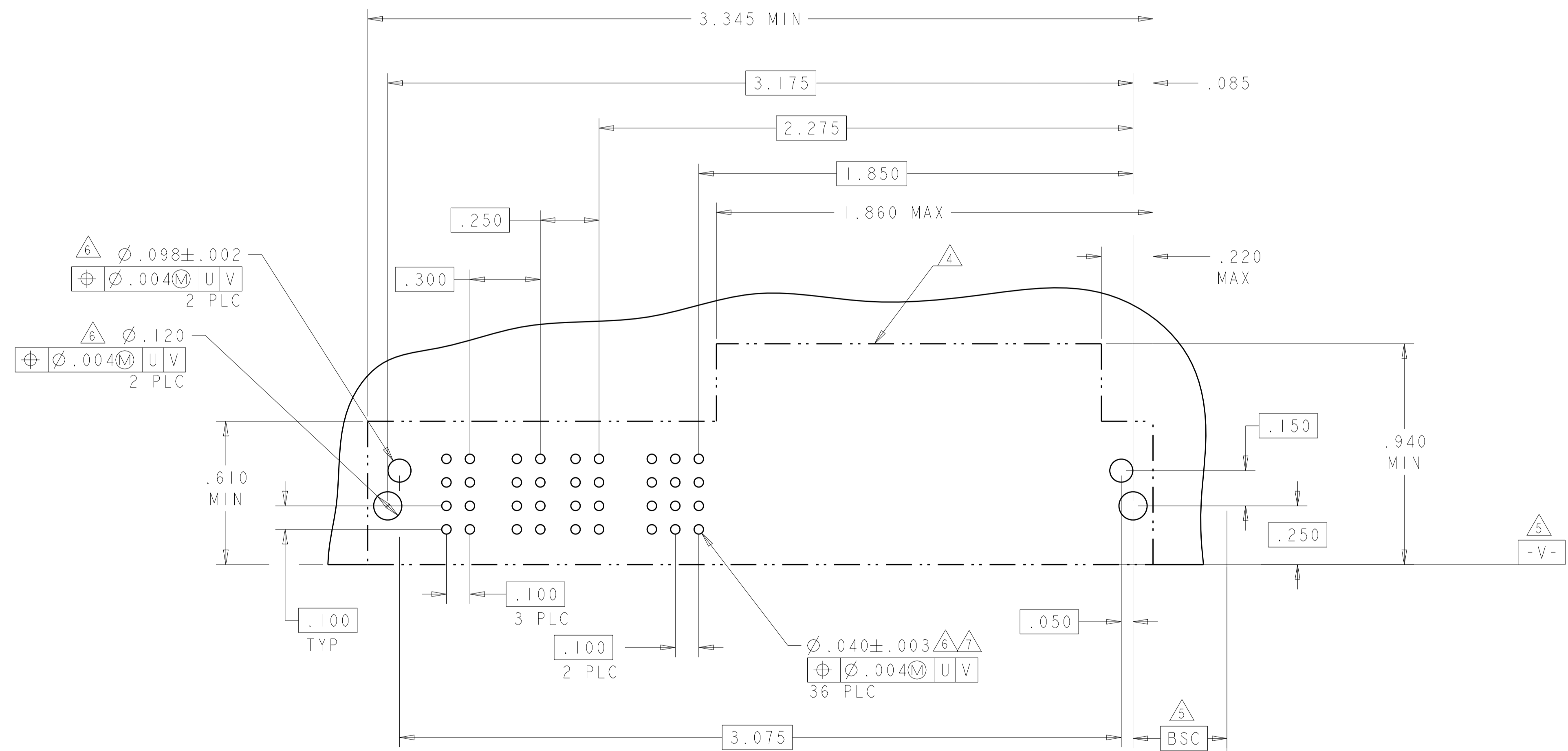
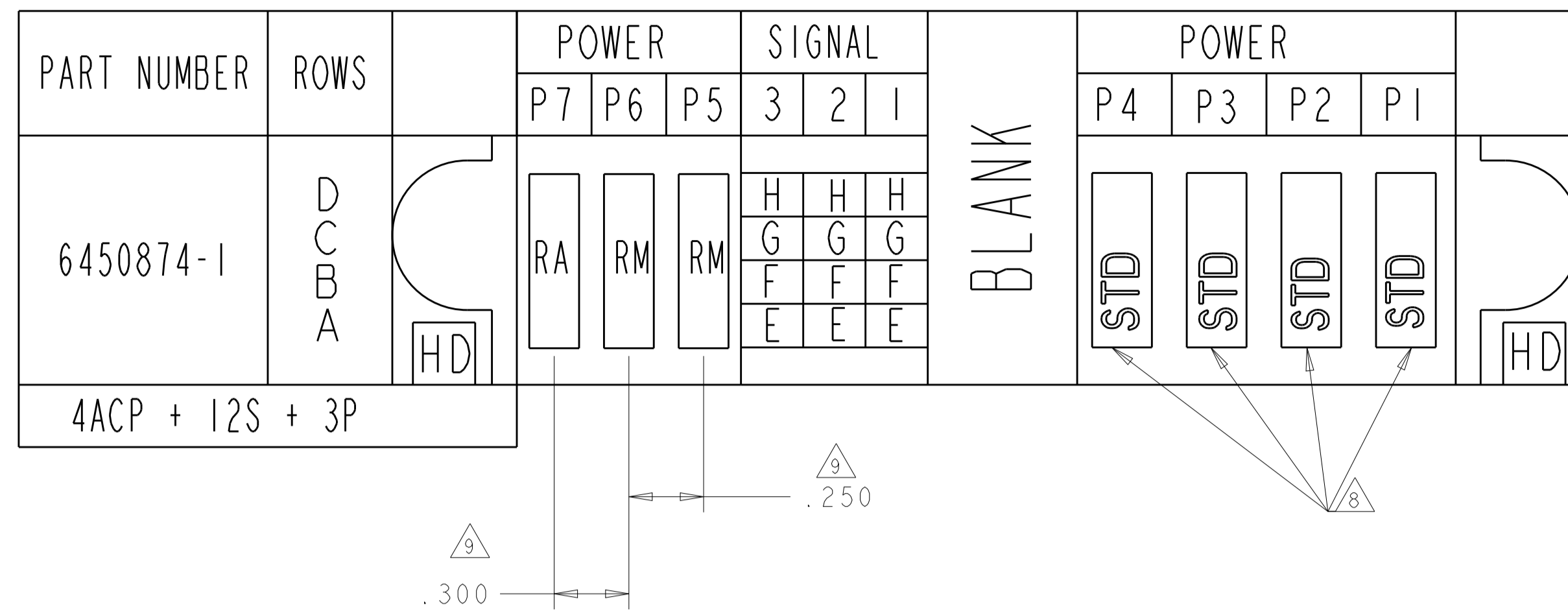
MATERIAL: FINISH:

APVD: S. YAO
NAME: S. YAO
PRODUCT SPEC: 108-2292
APPLICATION SPEC: 114-13038
WEIGHT: -
CUSTOMER DRAWING

STE TE Connectivity
RIGHT ANGLE RECEPTACLE ASSEMBLY
A/C PASS THRU W/SLIM GUIDES
MULTI-BEAM XLE

SIZE: A1
CAGE CODE: 100779
DRAWING NO: 6450874
SCALE: 3:1
SHEET: 1 of 8
REV: B4

REVISONS		DATE	DWN	APVD
P. LTH	DESCRIPTION			
-	SEE SHEET 1	-	-	-



RECOMMENDED PCB LAYOUT

STANDARD SIGNAL CONTACT, .135 TAIL LENGTH, ROW D	H
STANDARD SIGNAL CONTACT, .135 TAIL LENGTH, ROW C	G
STANDARD SIGNAL CONTACT, .135 TAIL LENGTH, ROW B	F
STANDARD SIGNAL CONTACT, .135 TAIL LENGTH, ROW A	E
MFBL POWER CONTACT, .135 TAIL LENGTH	RA
STD POWER CONTACT, .135 TAIL LENGTH	RM
HOLD DOWN	HD
DESCRIPTION	IDENTIFIER

THIS DRAWING IS A CONTROLLED DOCUMENT.

DWN: C. ZHOU 02JUN2009
 CHK: S. ZHAO 02JUN2009

APVD: S. YAO

NAME: **STE** TE Connectivity

RIGHT ANGLE RECEPTACLE ASSEMBLY
 A/C PASS THRU W/SLIM GUIDES
 MULTI-BEAM XLE

PRODUCT SPEC: 108-2292
 APPLICATION SPEC: 114-13038

SIZE: A100779 C=6450874
 CAGE CODE: 114-13038

RESTRICTED TO: B4

MATERIAL: -
 FINISH: -
 WEIGHT: -
 CUSTOMER DRAWING

SCALE: 3:1 SHEET 2 OF 8 REV B4

REVISONS		DATE	OWN	APVD
P	LTM	DESCRIPTION	DATE	OWN
-	-	SEE SHEET 1	-	-

PART NUMBER	ROWS	SIGNAL							POWER														
		7	6	5	4	3	2	1	PI5	PI4	PI3	PI2	PI1	PI0	P9	P8	P7	P6	P5	P4	P3	P2	PI
6450874-2	D C B A	H	H	H	H	H	H		RM	RM	RM	RM		RM	RM	RM	RM			RA	STD	STD	STD
		G	G	G	G	G	G																
		F	F	F	F	F	F																
		E	E	E	E	E	E																
3ACP + 12P + 28S																							

NO CONTACTS LOADED

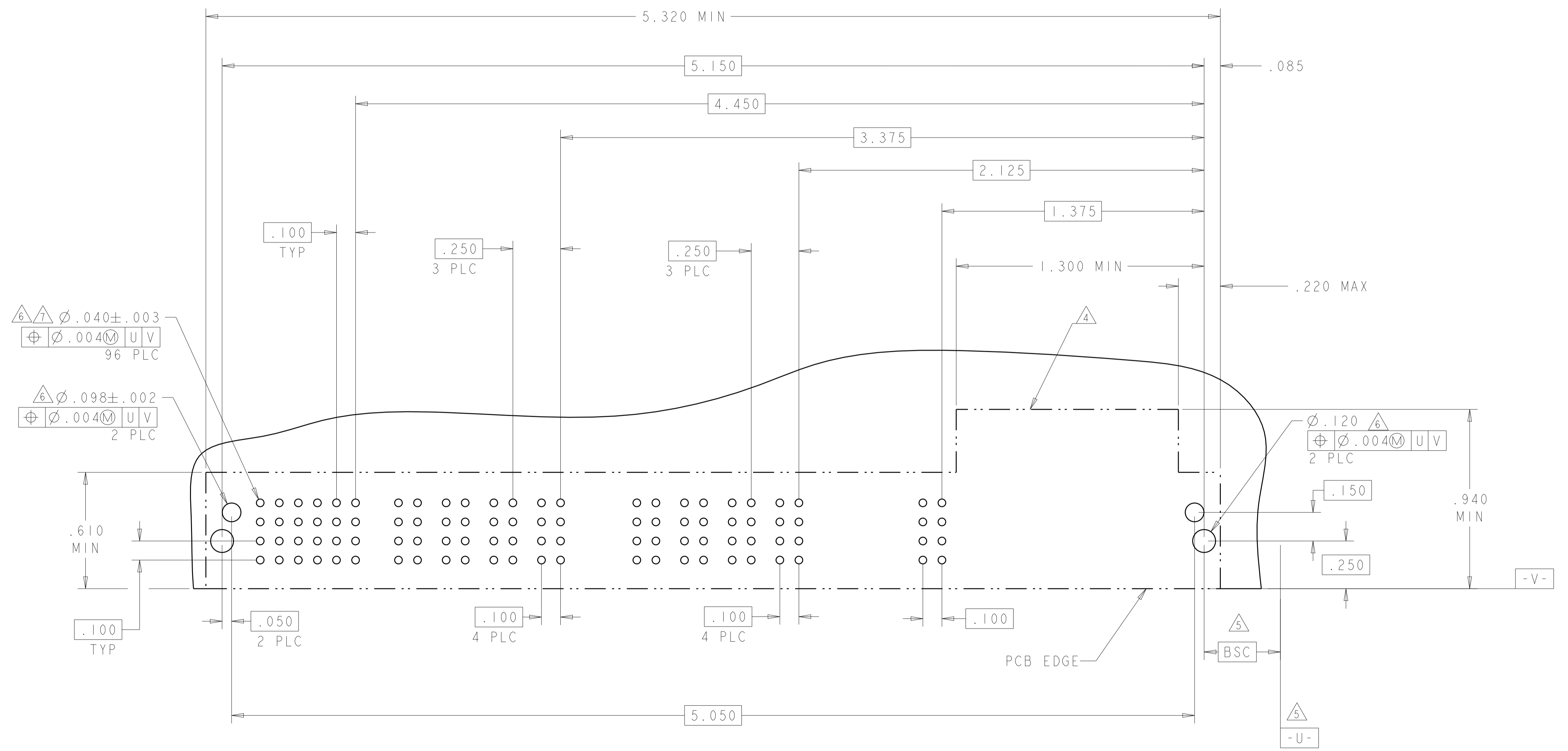
NO CONTACTS LOADED

.250 11 PLC

.375 3 PLC

PART NUMBER	ROWS	SIGNAL							POWER														
		7	6	5	4	3	2	1	PI5	PI4	PI3	PI2	PI1	PI0	P9	P8	P7	P6	P5	P4	P3	P2	PI
6450874-4	D C B A	H	H	H	H	H	H		RM	RM	RM	RM		RM	RM	RM	RM			RA	MLBF	STD	MFBL
		G	G	G	G	G	G																
		F	F	F	F	F	F																
		E	E	E	E	E	E																
3ACP + 12P + 28S																							

SAME AS 6450874-2 EXCEPT POWER SEQUENCE

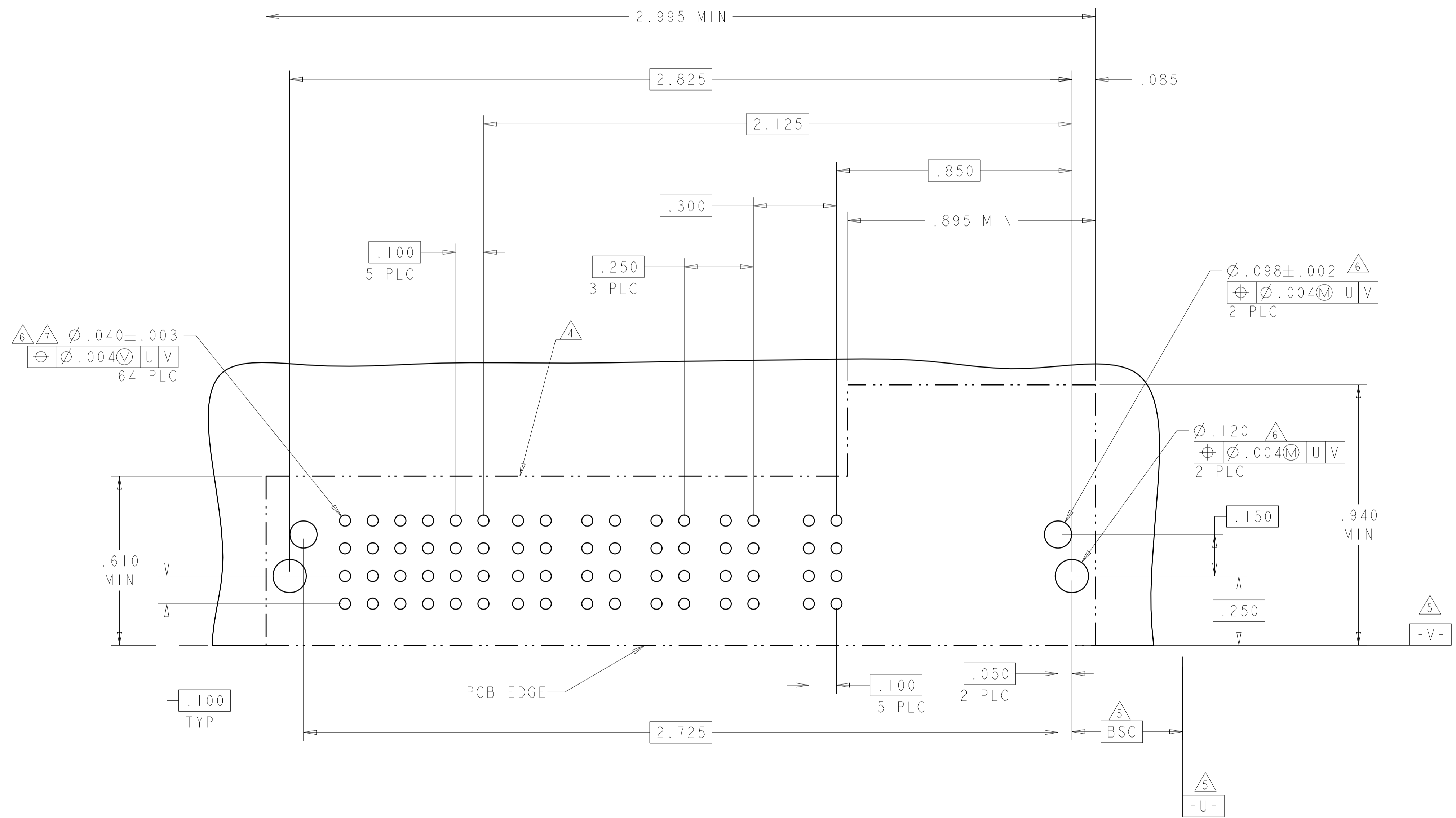
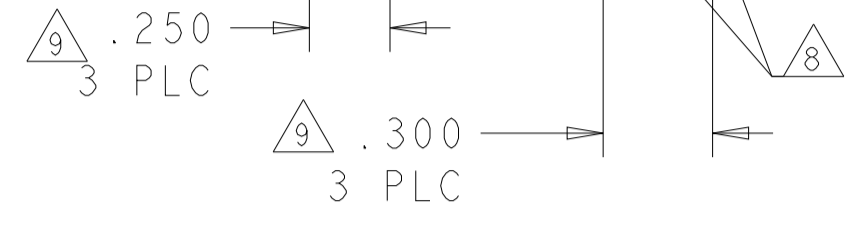


RECOMMENDED PCB LAYOUT

THIS DRAWING IS A CONTROLLED DOCUMENT.		OWN: C. ZHOU 02JUN2009	 TE Connectivity
DIMENSIONS: INCHES(MM)		CHK: S. ZHAO 02JUN2009	
TOLERANCES UNLESS OTHERWISE SPECIFIED:		APVD: S. YAO	NAME: RIGHT ANGLE RECEPTACLE ASSEMBLY
0 PLC ±.01		PRODUCT SPEC: 108-2292	A/C PASS THRU W/SLIM GUIDES
1 PLC ±.01		APPLICATION SPEC: 114-13038	MULTI-BEAM XLE
2 PLC ±.01		SIZE: CAGE CODE DRAWING NO	RESTRICTED TO
3 PLC ±.005		WEIGHT: -	A100779C=6450874
4 PLC ±.002		CUSTOMER DRAWING	SCALE: 3:1 SHEET 3 OF 8 REV: B4
ANGLES ±.020			
FINISH: -			

LOC		DIST		REVISIONS			
P	LTN	DESCRIPTION	DATE	DMN	APVD		
-	-	SEE SHEET 1	-	-	-		

PART NUMBER	ROWS	SIGNAL							POWER										
		6	5	4	3	2	1		P7	P6	P5	P4	P3	P2	P1				
6450874-3	D C B A	H	H	H	H	H	H												
		G	G	G	G	G	G												
		F	F	F	F	F	F		RM	RM	RM	RM	RA	STD	STD				
3ACP + 4P + 24S		HD																HD	



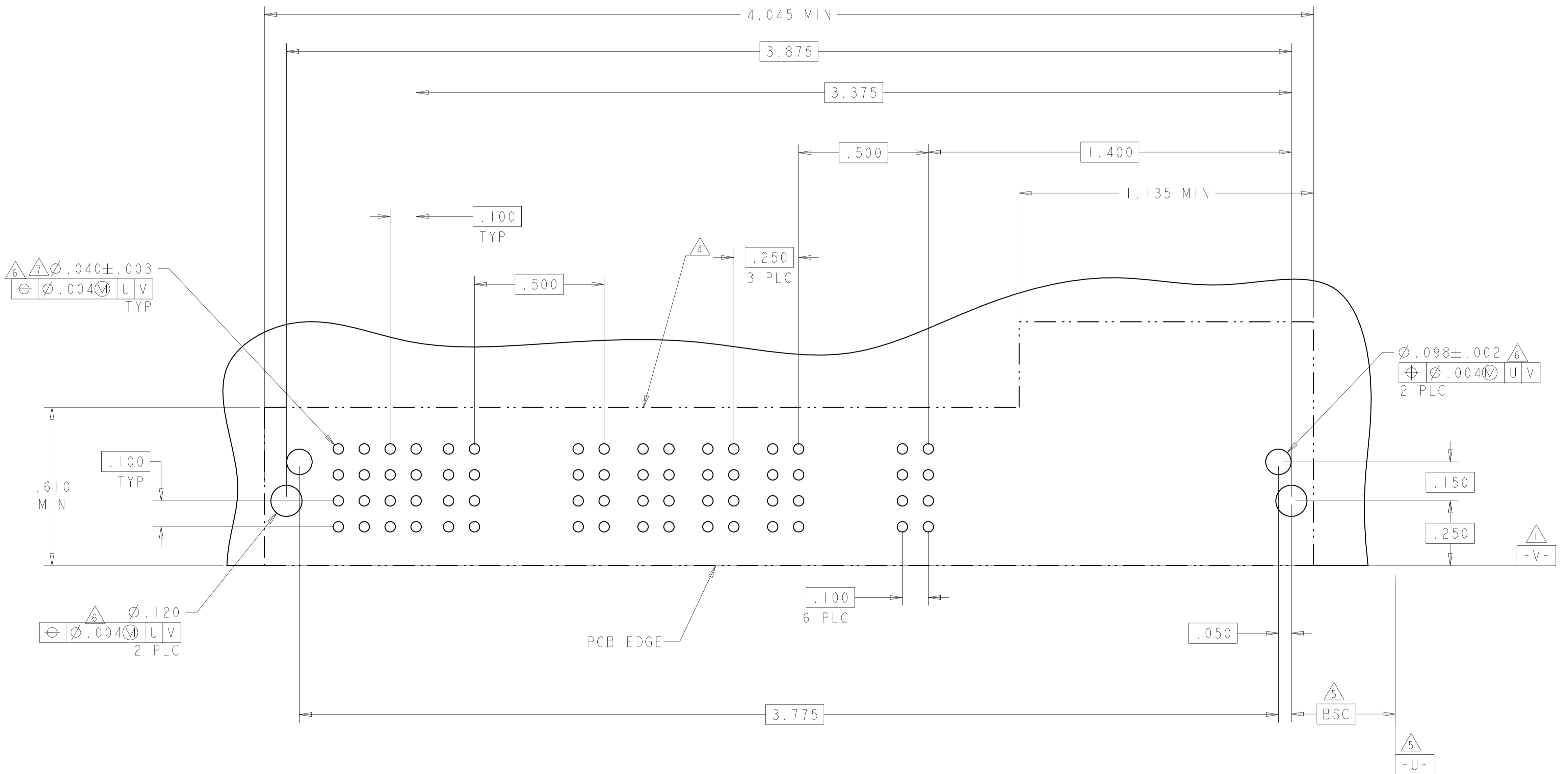
RECOMMENDED PCB LAYOUT

THIS DRAWING IS A CONTROLLED DOCUMENT.		DMN C. ZHOU 02JUN2009	TE Connectivity	
DIMENSIONS: INCHES(MM)		CHK S. ZHAO 02JUN2009		
TOLERANCES UNLESS OTHERWISE SPECIFIED:		APVD S. YAO	NAME RIGHT ANGLE RECEPTACLE ASSEMBLY	
0 PLC ± 1 PLC ±.01 2 PLC ±.01 3 PLC ±.005 4 PLC ±.0020 ANGLES ±.2°		PRODUCT SPEC 108-2292	A/C PASS THRU W/SLIM GUIDES	
MATERIAL		APPLICATION SPEC 114-13038	MULTI-BEAM XLE	
FINISH		WEIGHT	SIZE A100779	DRAWING NO C=6450874
		CUSTOMER DRAWING	SCALE 3:1	SHEET 4 OF 8
			REV B4	

LOC	DIST	REVISIONS			
P	LTH	DESCRIPTION	DATE	DWN	APVD
-	-	SEE SHEET 1	-	-	-

PART NUMBER	ROWS	SIGNAL				POWER											
		4	3	2	1	PI2	PI1	PI0	P9	P8	P7	P6	P5	P4	P3	P2	P1
6450874-5	D	H	H	H	H	RM	RM	RM	RM	RM	RM	RM	RM	RM	STD	STD	HD
	C	G	G	G	G												
	B	F	F	F	F												
	A	E	E	E	E												

3ACP + 9P + 16S

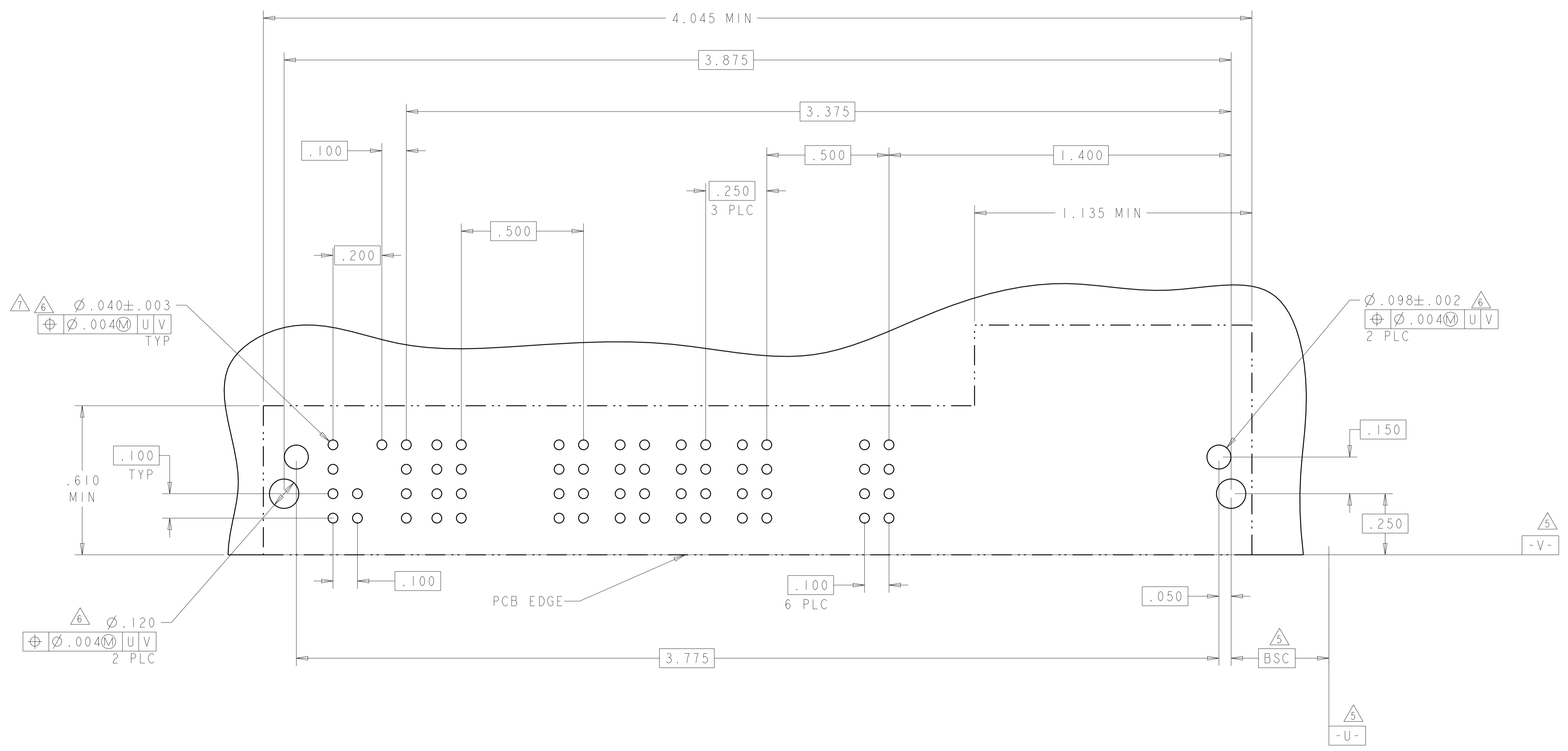
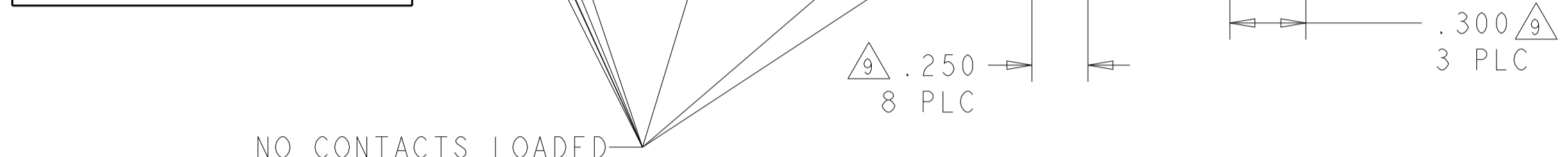


NO CONTACTS LOADED

THIS DRAWING IS A CONTROLLED DOCUMENT.		DWN	C. ZHOU	02JUN2009	TE Connectivity	
		CHK	S. ZHAO	02JUN2009		
DIMENSIONS:	TOLERANCES UNLESS OTHERWISE SPECIFIED:	APVD	S. YAO	-	NAME	
INCHES[MM]	0 PLC \pm	PRODUCT SPEC			RIGHT ANGLE RECEPTACLE ASSEMBLY	
	1 PLC $\pm .01$	APPLICATION SPEC			A/C PASS THRU W/SLIM GUIDES	
MATERIAL	2 PLC $\pm .005$	WEIGHT			MULTI-BEAM XLE	
	3 PLC $\pm .0020$	FINISH			SIZE CAGE CODE DRAWING NO	
	4 PLC $\pm .0020$	CUSTOMER DRAWING			A100779C=6450874	
	ANGLES $\pm 7^\circ$	SCALE			RESTRICTED TO	
		3:1			SHEET 5 OF 8 REV B4	

LOC		DIST		REVISIONS			
P	LTN	DESCRIPTION	DATE	DMN	APVD		
-	-	SEE SHEET 1	-	-	-		

PART NUMBER	ROWS	SIGNAL				POWER												
		4	3	2	1	PI2	PI1	PI0	P9	P8	P7	P6	P5	P4	P3	P2	PI1	
6450874-6	D C B A	H	H	H														
		G	F	F	F	RM	RM	RM	RM	RM	RM	RM	RM	RM	STD	STD		
		E	E	E														

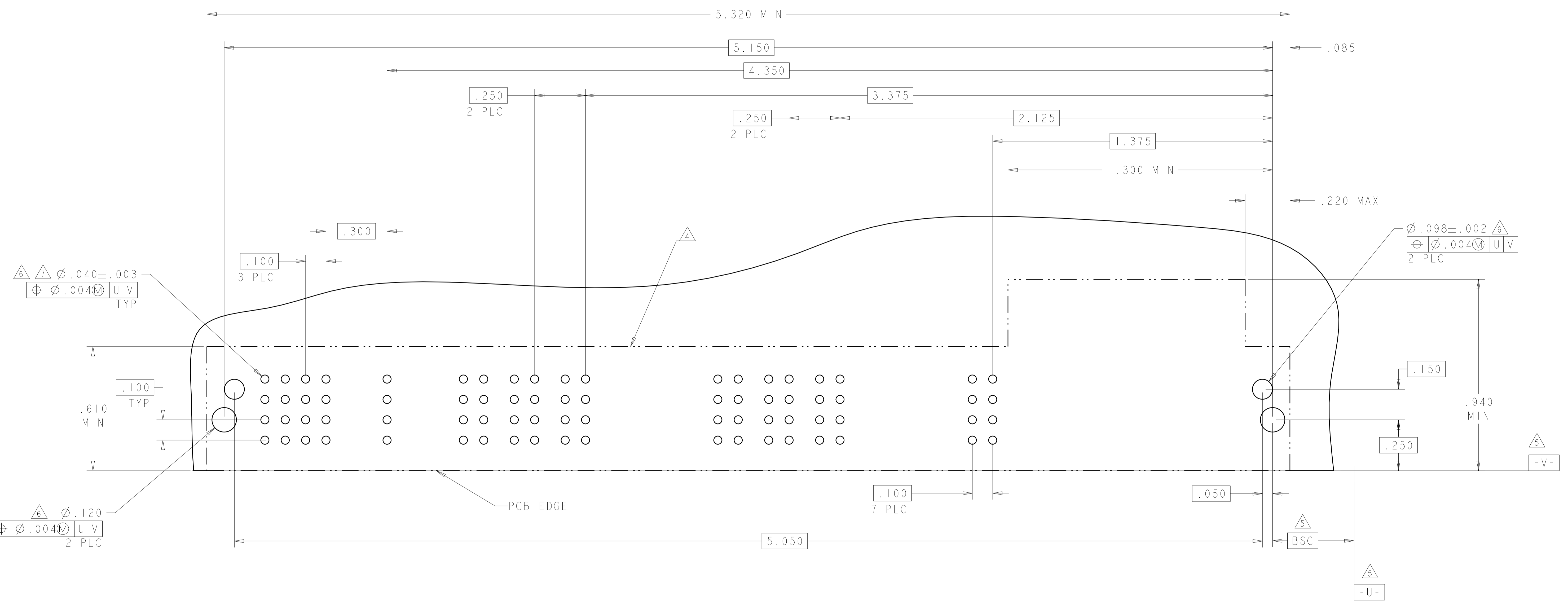


THIS DRAWING IS A CONTROLLED DOCUMENT.		DMN C. ZHOU 02JUN2009	 TE Connectivity
DIMENSIONS: INCHES(MM)		CHK S. ZHAO 02JUN2009	
TOLERANCES UNLESS OTHERWISE SPECIFIED:		APVD S. YAO	NAME RIGHT ANGLE RECEPTACLE ASSEMBLY
0 PLC ±. 1 PLC ±.01 2 PLC ±.01 3 PLC ±.005 4 PLC ±.0020 ANGLES ±.020		PRODUCT SPEC 108-2292	A/C PASS THRU W/SLIM GUIDES
MATERIAL		APPLICATION SPEC 114-13038	MULTI-BEAM XLE
FINISH		SIZE A100779	DRAWING NO C=6450874
CUSTOMER DRAWING		WEIGHT	RESTRICTED TO
SCALE 3:1		SHEET 6 OF 8	REV B4

LOC	DIST	REVISIONS			
P	LTH	DESCRIPTION	DATE	DMN	APVD
-	-	SEE SHEET 1	-	-	-

PART NUMBER	ROWS	SIGNAL							POWER																
		7	6	5	4	3	2	1	P15	P14	P13	P12	P11	P10	P9	P8	P7	P6	P5	P4	P3	P2	P1		
6450874-7	D	H	H	H	H		H																		
	C	G	G	G	G		G																		
	B	F	F	F	F		F																		
	A	E	E	E	E		E																		
3ACP + 12P + 28S		[HD]																							

NO CONTACTS LOADED
 NO CONTACTS LOADED
 .250 11 PLC
 .375 3 PLC

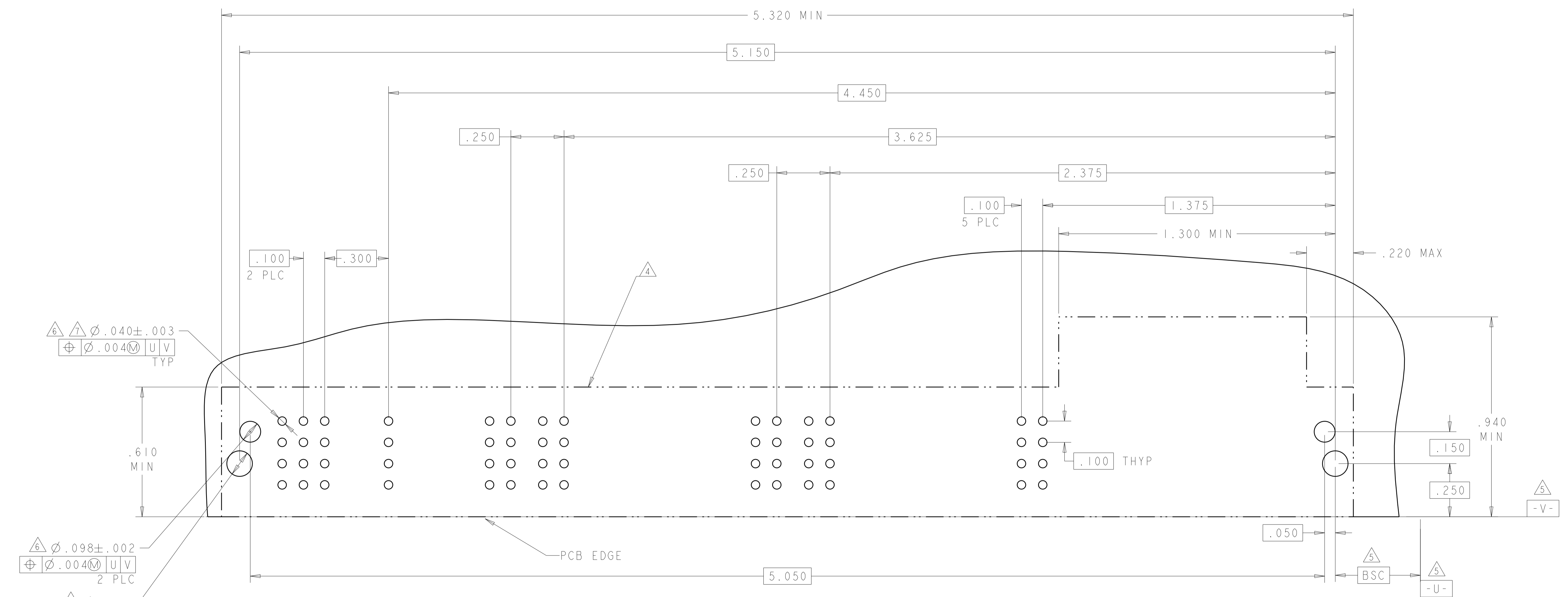


THIS DRAWING IS A CONTROLLED DOCUMENT.		DMN: C. ZHOU 02JUN2009	STE TE Connectivity
DIMENSIONS: INCHES(MM)		CHK: S. ZHAO 02JUN2009	
TOLERANCES UNLESS OTHERWISE SPECIFIED:		APVD: S. YAO	NAME: RIGHT ANGLE RECEPTACLE ASSEMBLY
0 PLC ± .01	1 PLC ± .01	PRODUCT SPEC: 108-2292	A/C PASS THRU W/SLIM GUIDES
2 PLC ± .01	3 PLC ± .005	APPLICATION SPEC: 114-13038	MULTI-BEAM XLE
4 PLC ± .0020	ANGLES ± .0020	SIZE: A100779	CAGE CODE: C=6450874
MATERIAL: -	FINISH: -	WEIGHT: -	RESTRICTED TO: -
CUSTOMER DRAWING		SCALE: 3:1	SHEET 7 OF 8

LOC	DIST	REVISIONS			
P	LTH	DESCRIPTION	DATE	DWN	APVD
-	-	SEE SHEET 1	-	-	-

PART NUMBER	ROWS	SIGNAL							POWER														
		7	6	5	4	3	2	1	P15	P14	P13	P12	P11	P10	P9	P8	P7	P6	P5	P4	P3	P2	P1
6450874-8	D	H	H	H			H																
	C	G	G	G			G																
	B	F	F	F			F																
	A	E	E	E			E																
3ACP + 12P + 28S		[HD]							[HD]														

NO CONTACTS LOADED



- Δ $\phi .040 \pm .003$
 $\oplus \phi .004 \text{ (M)}$ U V
 TYP
- Δ $\phi .098 \pm .002$
 $\oplus \phi .004 \text{ (M)}$ U V
 2 PLC
- Δ $\phi .120$
 $\oplus \phi .004 \text{ (M)}$ U V
 2 PLC

THIS DRAWING IS A CONTROLLED DOCUMENT.

DIMENSIONS: INCHES(MM)	TOLERANCES UNLESS OTHERWISE SPECIFIED:	DWN C. ZHOU 02JUN2009	CHK S. ZHAO 02JUN2009	APVD S. YAO	NAME RIGHT ANGLE RECEPTACLE ASSEMBLY A/C PASS THRU W/SLIM GUIDES MULTI-BEAM XLE
MATERIAL	FINISH	PRODUCT SPEC 108-2292	APPLICATION SPEC 114-13038	WEIGHT	SIZE A100779
CUSTOMER DRAWING		SCALE 3:1		SHEET 8 OF 8	REV B4

STC TE Connectivity