



Chipsmall Limited consists of a professional team with an average of over 10 year of expertise in the distribution of electronic components. Based in Hongkong, we have already established firm and mutual-benefit business relationships with customers from,Europe,America and south Asia,supplying obsolete and hard-to-find components to meet their specific needs.

With the principle of “Quality Parts,Customers Priority,Honest Operation,and Considerate Service”,our business mainly focus on the distribution of electronic components. Line cards we deal with include Microchip,ALPS,ROHM,Xilinx,Pulse,ON,Everlight and Freescale. Main products comprise IC,Modules,Potentiometer,IC Socket,Relay,Connector.Our parts cover such applications as commercial,industrial, and automotives areas.

We are looking forward to setting up business relationship with you and hope to provide you with the best service and solution. Let us make a better world for our industry!



## Contact us

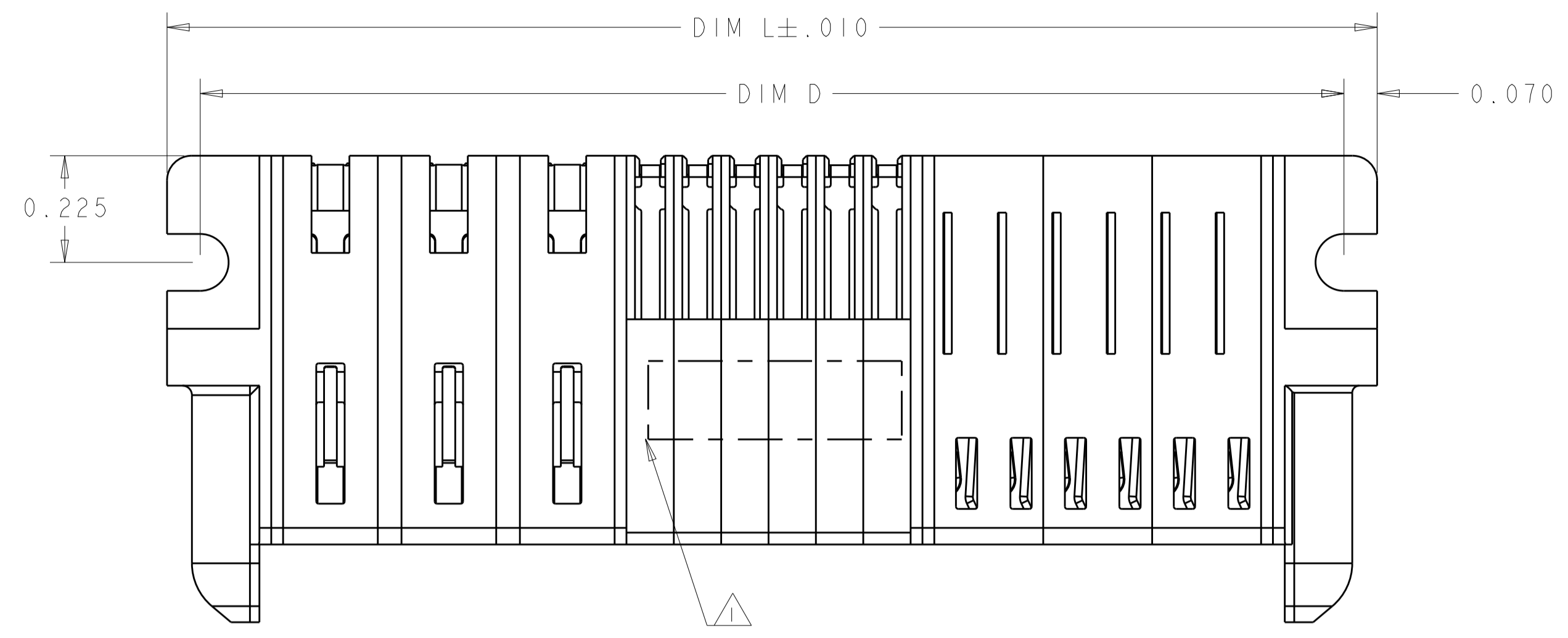
Tel: +86-755-8981 8866 Fax: +86-755-8427 6832

Email & Skype: info@chipsmall.com Web: www.chipsmall.com

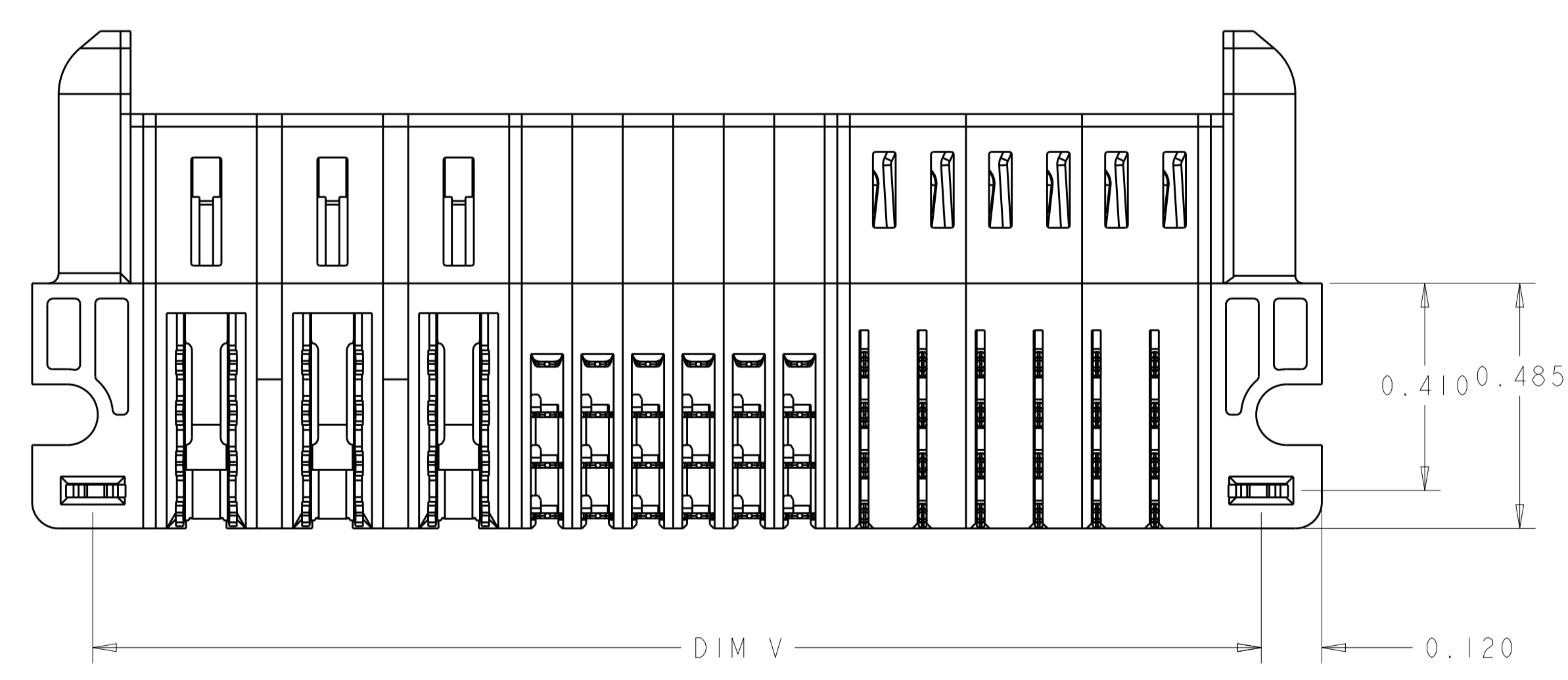
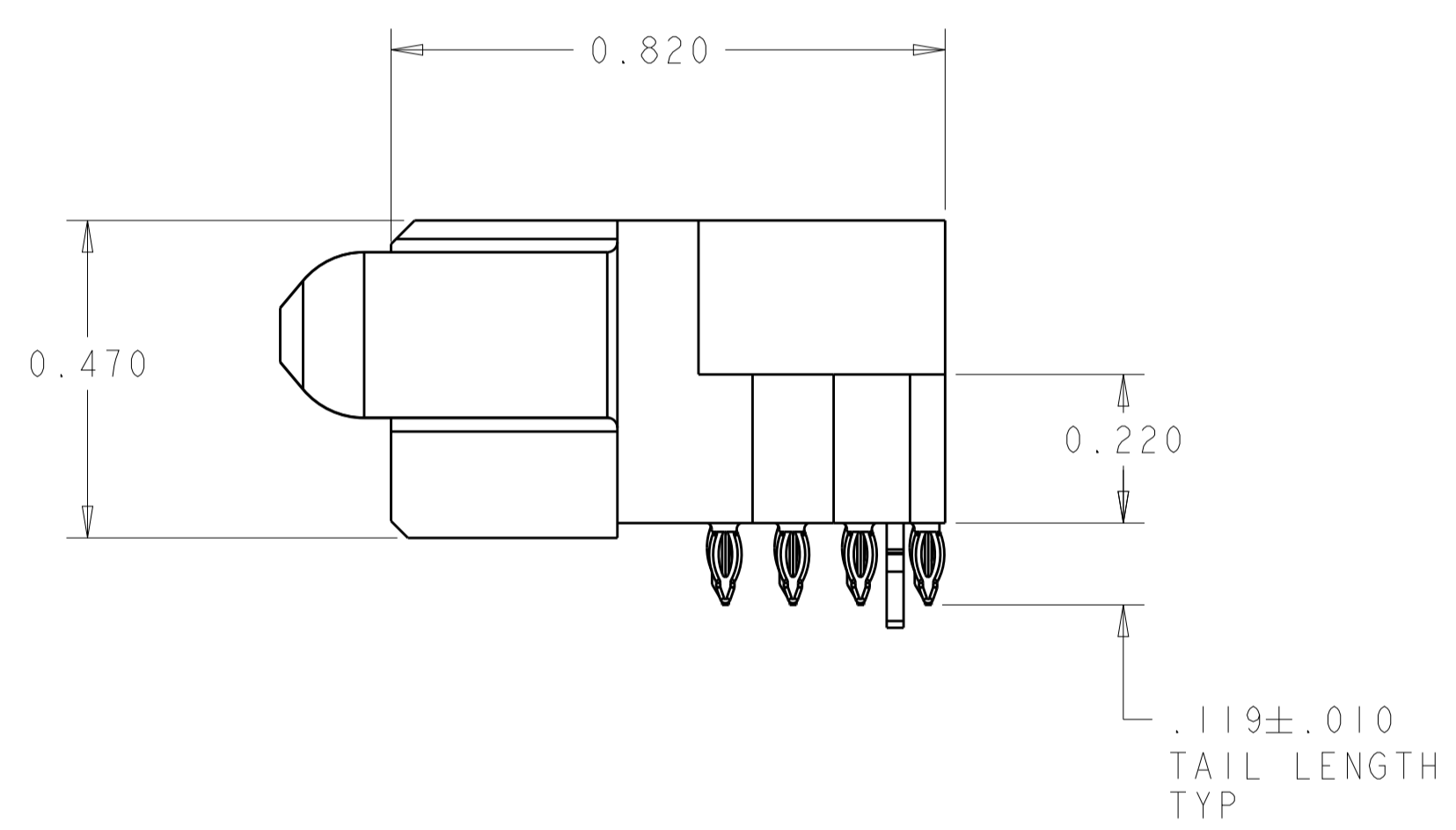
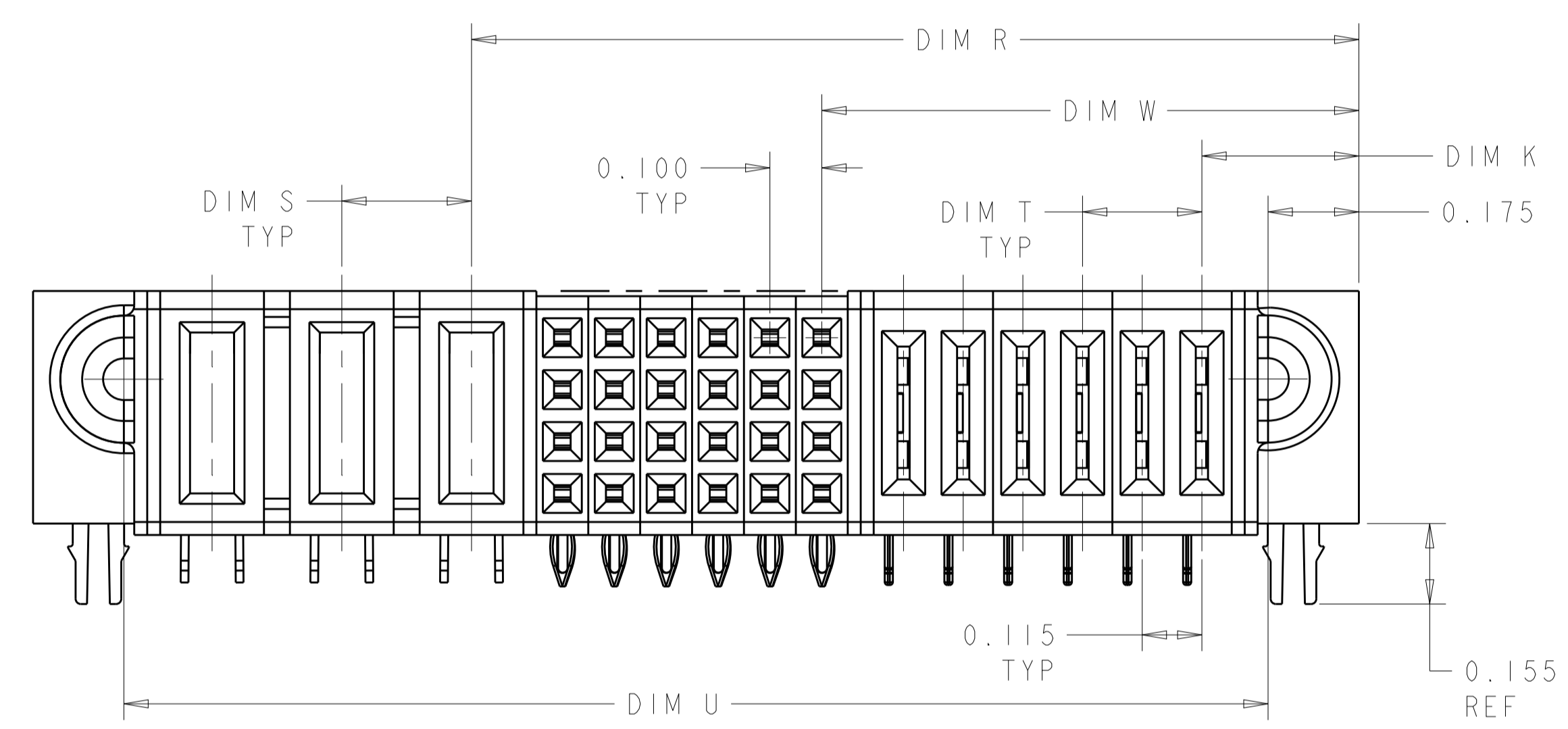
Address: A1208, Overseas Decoration Building, #122 Zhenhua RD., Futian, Shenzhen, China



LOC		DIST		REVISIONS			
ES	00	P	LTN	DESCRIPTION	DATE	DMN	APVD
		F5		REMOVED 2-8			



- △ "AMP", PART NUMBER, AND DATE CODE TO BE MARKED IN AREA SHOWN PARTS UNDER 2.000 MAY BE MARKED ON BOTH SIDES.
- △ MATERIAL: HOUSING - GLASS FILLED HIGH TEMP THERMO PLASTIC, UL94 V-0  
 SIGNAL CONTACT - COPPER ALLOY  
 POWER CONTACT - HIGH CONDUCTIVITY COPPER ALLOY
- △ CONTACT PLATING: NOBLE METAL PLATING ON CONTACT FUNCTIONAL AREA OF POWER AND SIGNAL CONTACTS
- △ MECHANICAL CONNECTOR KEEP OUT ZONE
- △ DATUM AND BASIC DIMENSIONS ESTABLISHED BY CUSTOMER
- △ PCB - ALL HOLE DIAMETERS ARE FINISHED HOLE SIZES
- △ PCB - .0453 ±.0010 DRILLED HOLE PLATED WITH .0003 MIN Sn OVER .001-.003 PLATING TO ACHIEVE A .040 HOLE
- △ FOR P/S/P, P/S/LP CONFIGURATION, PLEASE REFER TO SHEET 2
- △ CONTACTS LUBRICATED WITH HMI5 AFTER PLATING.



.240	.165	1.980	2.080	1.870	2.220	1.4225	.990	.2775	3LP + 16S + 4LP	2-6450880-7
.250	.250	1.750	1.850	1.640	1.990	1.345	.845	.395	2P + 16S + 2P	2-6450880-6
.230	.250	-	5.595	5.385	5.735	4.6025	3.345	.370	12P + 48S + 12LP	2-6450880-3
-	-	.880	.980	.770	1.120	.8425	.435	.2775	1LP + 16S + 1LP	2-6450880-0
.200	.200	2.350	2.450	2.240	2.590	1.670	1.095	.320	4HDP + 20S + 4HDP	1-6450880-9
.250	.250	3.900	4.000	3.790	4.140	2.820	1.520	.320	5P + 48S + 5P	1-6450880-8
.250	.250	3.300	3.400	3.190	3.540	2.195	1.520	.345	5P + 24S + 5P	1-6450880-7
.250	.250	1.750	1.850	1.640	1.990	1.370	.845	.370	2P + 16S + 2P	1-6450880-5
.250	.250	6.000	6.100	5.890	6.240	4.145	2.270	.345	8P + 72S + 8P	1-6450880-1
-	-	.600	.700	.490	.840	-	.270	-	16S	1-6450880-0
.230	.250	5.495	5.595	5.385	5.735	4.6025	3.345	.370	12P+ 48S+ 8LP	6450880-8
.250	.250	4.400	4.500	4.290	4.640	2.545	2.270	.345	8P + 8S + 8P	6450880-7
.230	-	1.190	1.290	1.080	1.430	-	1.060	.3775	6LP + 8S	6450880-6
-	-	1.475	1.575	1.365	1.715	1.320	.595	.370	1P + 24S + 1P	6450880-5
.230	.250	-	5.595	5.385	5.735	4.6025	3.345	.370	12P+ 48S+ 8LP	6450880-4
.300	.200	5.150	5.250	5.040	5.390	2.845	1.520	.370	4ACP + 48S + 12HDP	6450880-3
.230	.250	2.315	2.415	2.205	2.555	1.710	1.035	.3025	6LP + 24S + 3P	6450880-1
DIM T	DIM S	DIM V	DIM D	DIM U	DIM L	DIM R	DIM W	DIM K	DESCRIPTION	PART NUMBER

THIS DRAWING IS A CONTROLLED DOCUMENT. DWN S. ZHAO 25MAY2007  
 CH S. ZHAO 25MAY2007  
 APVD S. ZHAO 25MAY2007

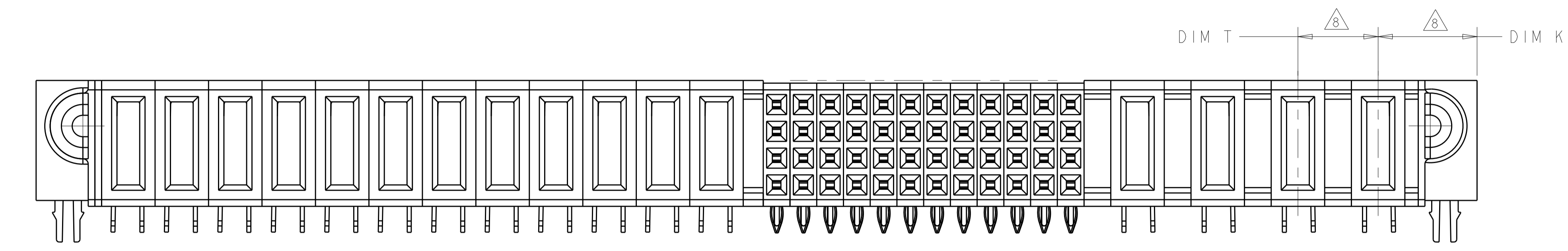
DIMENSIONS: INCHES TOLERANCES UNLESS OTHERWISE SPECIFIED:  
 0 PLC ±.1  
 1 PLC ±.01  
 2 PLC ±.005  
 3 PLC ±.0025  
 4 PLC ±.0020  
 ANGLES ±.0025

MATERIAL: 2 FINISH: -

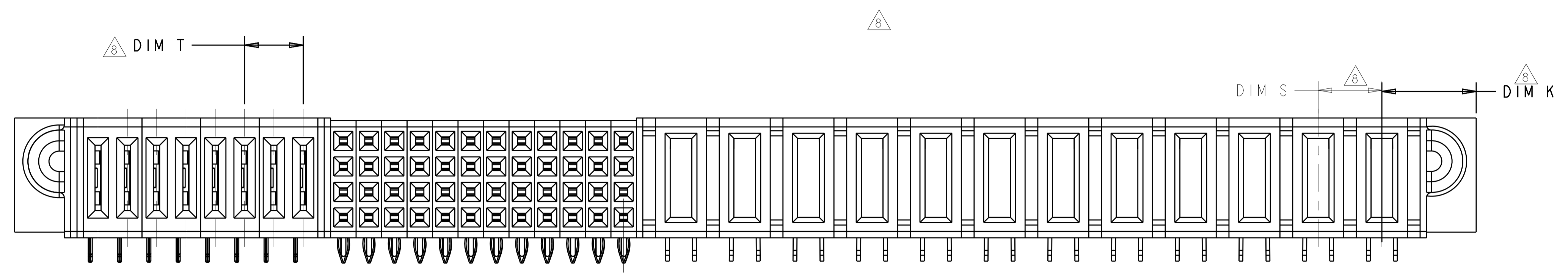
PRODUCT SPEC: 108-2292  
 APPLICATION SPEC: 114-13251  
 WEIGHT: -  
 CUSTOMER DRAWING

**STE** TE Connectivity  
 NAME: RIGHT ANGLE RECEPTACLE WITH LP CONTACT AND SHORT END MODULES MULTI-BEAM XLE  
 SIZE: A100779 C=6450880  
 SCALE: 4:1 SHEET 13 OF 13 REV F5

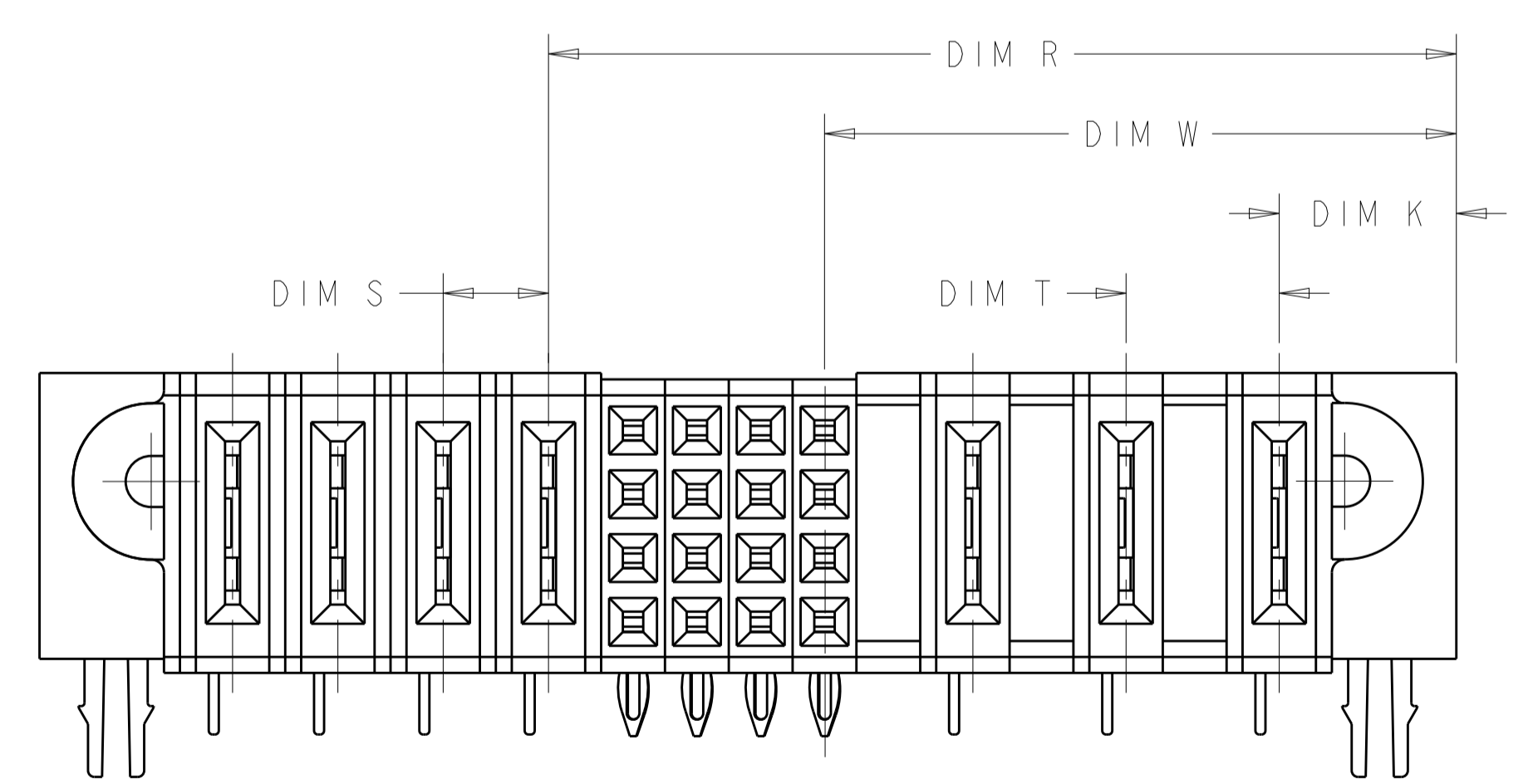
LOC		DIST		REVISIONS			
ES	00	P	LTN	DESCRIPTION	DATE	DWN	APVD
		-		SEE SHEET 1	-	-	-



PART NUMBER 6450880-3  
 UNSPECIFIED DIM REFER TO SHEET 1  
 SCALE 7:2



PART NUMBER 6450880-4, 2-6450880-3  
 UNSPECIFIED DIM REFER TO SHEET 1  
 SCALE 7:2

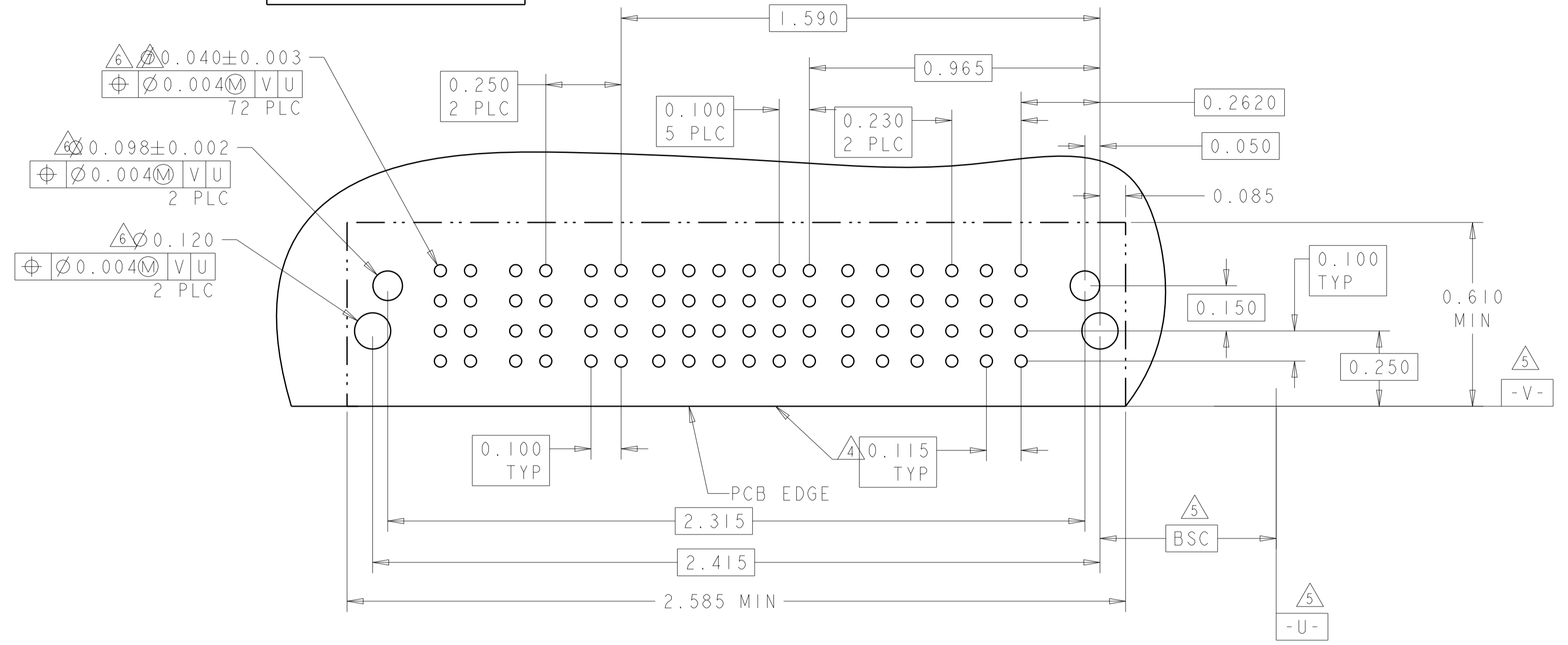


PART NUMBER 2-6450880-0, 2-6450880-7  
 UNSPECIFIED DIM REFER TO SHEET 1  
 FOR CONFIGURATION LP/S/LP

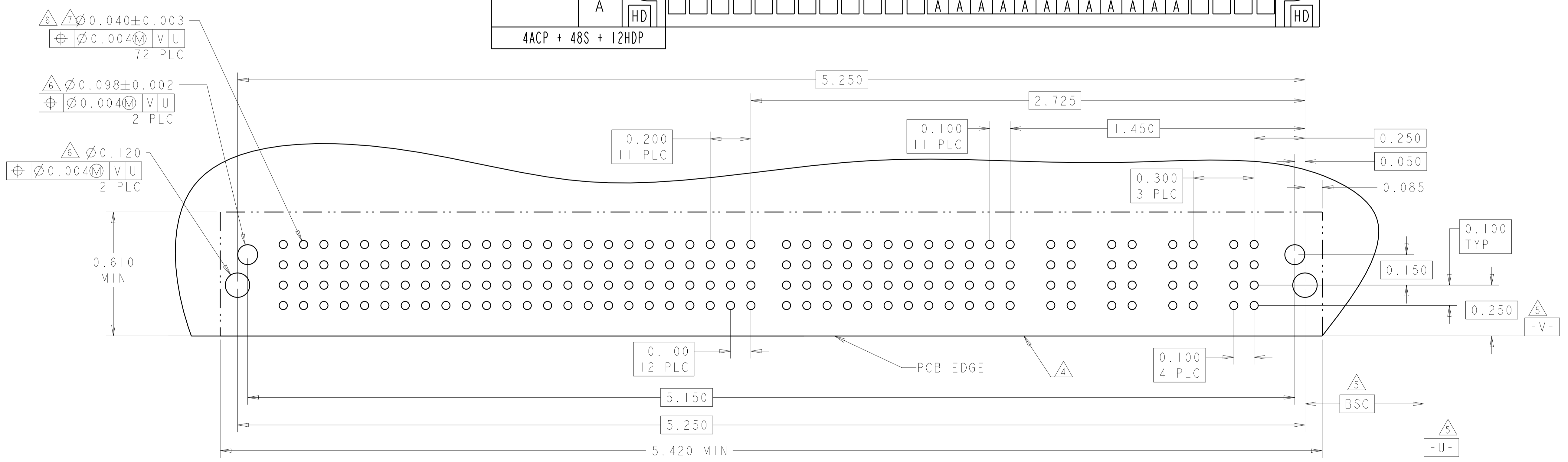
THIS DRAWING IS A CONTROLLED DOCUMENT.		DWN S. ZHAO 25MAY2007	
DIMENSIONS: INCHES		CHK S. ZHAO 25MAY2007	
		APVD S. ZHAO 25MAY2007	
TOLERANCES UNLESS OTHERWISE SPECIFIED: 0 PLC ±.1 1 PLC ±.01 2 PLC ±.005 3 PLC ±.002 4 PLC ±.0020 ANGLES ±.2° FINISH		PRODUCT SPEC 108-2292 APPLICATION SPEC 114-13251 WEIGHT CUSTOMER DRAWING	
MATERIAL		NAME RIGHT ANGLE RECEPTACLE WITH LP CONTACT AND SHORT END MODULES MULTI-BEAM XLE	RESTRICTED TO
		SIZE CAGE CODE DRAWING NO. A100779C=6450880	SCALE 4:1 SHEET 2 OF 13 REV F5

LOC		DIST		REVISIONS			
ES	00	P	LTH	DESCRIPTION	DATE	DWN	APVD
		-		SEE SHEET 1			

PART NUMBER	ROWS	POWER						SIGNAL						POWER						
		P3	P2	P1	6	5	4	3	2	1	LP6	LP5	LP4	LP3	LP2	LP1	LP6	LP5	LP4	LP3
6450880-1	D C B A	RP						RS						LS						
		C						D						LS						
		B						C						LS						
		A						D						LS						
6LP + 24S + 3P																				



PART NUMBER	ROWS	POWER												SIGNAL												POWER			
		P16	P15	P14	P13	P12	P11	P10	P9	P8	P7	P6	P5	12	11	10	9	8	7	6	5	4	3	2	1	P4	P3	P2	P1
6450880-3	D C B A	RS												D												RS			
		C												D												RS			
		B												C												RS			
		A												D												RS			
4ACP + 48S + 12HDP																													



SIGNAL CONTACT ROW D	D
SIGNAL CONTACT ROW C	C
SIGNAL CONTACT ROW B	B
SIGNAL CONTACT ROW A	A
STD LP CONTACT	LS
MFBL POWER CONTACT	RP
STD POWER CONTACT	RS
DESCRIPTION	CODE

THIS DRAWING IS A CONTROLLED DOCUMENT.

DIMENSIONS: INCHES

TOLERANCES UNLESS OTHERWISE SPECIFIED:

0 PLC	±.01
1 PLC	±.01
2 PLC	±.01
3 PLC	±.005
4 PLC	±.002
ANGLES	±.002
FINISH	AS SHOWN

MATERIAL: -

DATE: 25MAY2007

DESIGNED BY: S. ZHAO

CHECKED BY: S. ZHAO

APPROVED BY: S. ZHAO

PRODUCT SPEC: 108-2292

APPLICATION SPEC: 114-13251

WEIGHT: -

CUSTOMER DRAWING

SCALE: 4:1

SHEET 3 OF 13

REV: F5

TE Connectivity

RIGHT ANGLE RECEPTACLE WITH LP CONTACT AND SHORT END MODULES MULTI-BEAM XLE

SIZE: A1

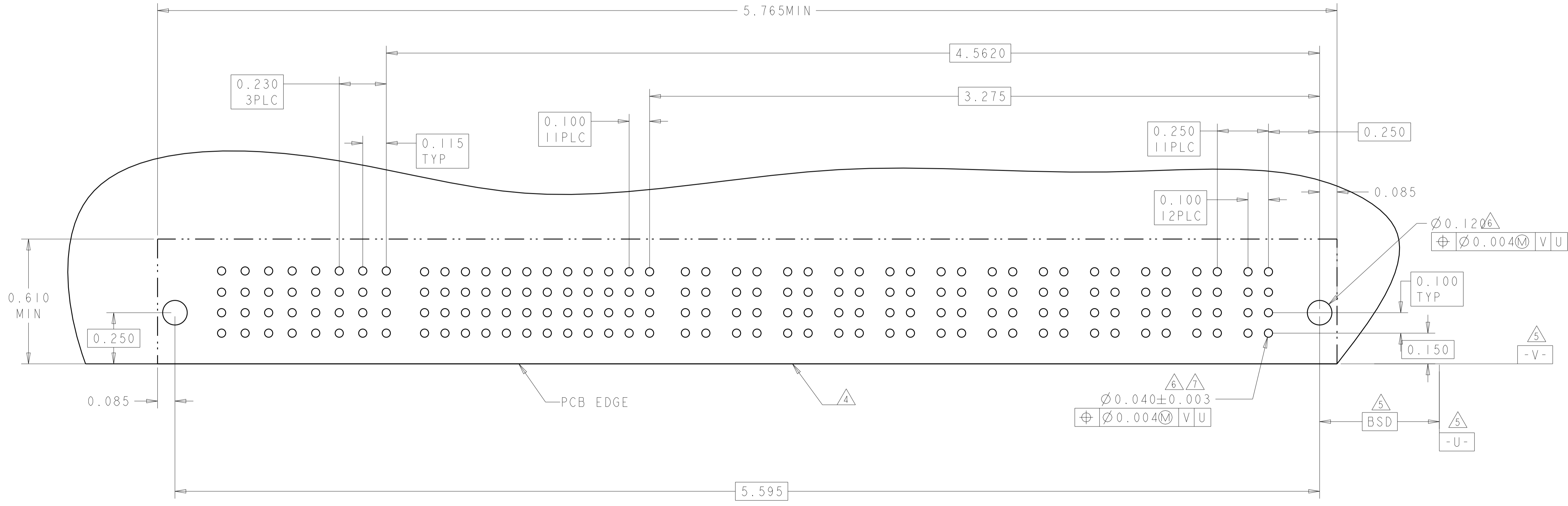
CAGE CODE: 6450880

LOC	DIST	REVISIONS			
P	LTN	DESCRIPTION	DATE	DMN	APVD
-	-	SEE SHEET 1	-	-	-

PART NUMBER	ROWS	POWER								SIGNAL												POWER											
		LP8	LP7	LP6	LP5	LP4	LP3	LP2	LP1	I2	I1	I0	9	8	7	6	5	4	3	2	1	P12	P11	P10	P9	P8	P7	P6	P5	P4	P3	P2	P1
6450880-4	D									D	D	D	D	D	D	D	D	D	D	D	RS	RS	RS	RS	RS	RS	RS	RS	RS	RS	RS	RS	
	C	LS	LS	LS	LS	LS	LS	LS	LS	C	C	C	C	C	C	C	C	C	C	C	RS	RS	RS	RS	RS	RS	RS	RS	RS	RS	RS		
	B									B	B	B	B	B	B	B	B	B	B	B													
	A									A	A	A	A	A	A	A	A	A	A	A													
12P + 48S + 8LP																																	

PART NUMBER	ROWS	POWER								SIGNAL												POWER											
		LP8	LP7	LP6	LP5	LP4	LP3	LP2	LP1	I2	I1	I0	9	8	7	6	5	4	3	2	1	P12	P11	P10	P9	P8	P7	P6	P5	P4	P3	P2	P1
6450880-8	D									D	D	D	D	D	D	D	D	D	D	D	RS	RS	RS	RS	RS	RS	RS	RS	RS	RS	RS		
	C	LS	LS	LS	LS	LS	LS	LS	LS	C	C	C	C	C	C	C	C	C	C	C	RS	RS	RS	RS	RS	RS	RS	RS	RS	RS	RS		
	B									B	B	B	B	B	B	B	B	B	B	B													
	A									A	A	A	A	A	A	A	A	A	A	A													
12P + 48S + 8LP																																	

PART NUMBER	ROWS	POWER								SIGNAL												POWER											
		LP8	LP7	LP6	LP5	LP4	LP3	LP2	LP1	I2	I1	I0	9	8	7	6	5	4	3	2	1	P12	P11	P10	P9	P8	P7	P6	P5	P4	P3	P2	P1
2-6450880-3	D									D	D	D	D	D	D	D	D	D	D	D	RS	RS	RS	RS	RS	RS	RS	RS	RS	RS	RS		
	C	LS	LS	LS	LS	LS	LS	LS	LS	C	C	C	C	C	C	C	C	C	C	C	RS	RS	RS	RS	RS	RS	RS	RS	RS	RS	RS		
	B									B	B	B	B	B	B	B	B	B	B	B													
	A									A	A	A	A	A	A	A	A	A	A	A													
12P + 48S + 8LP																																	



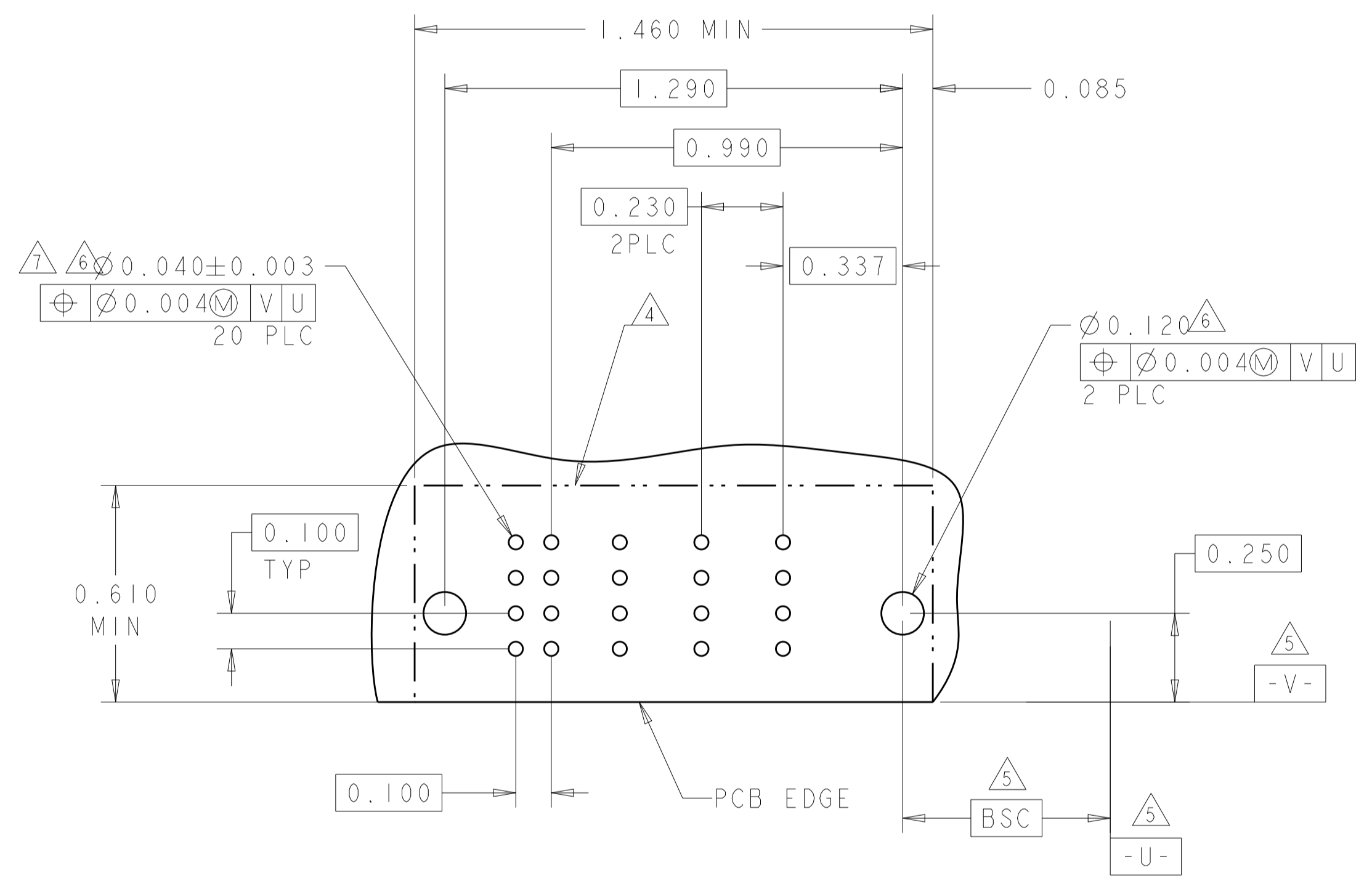
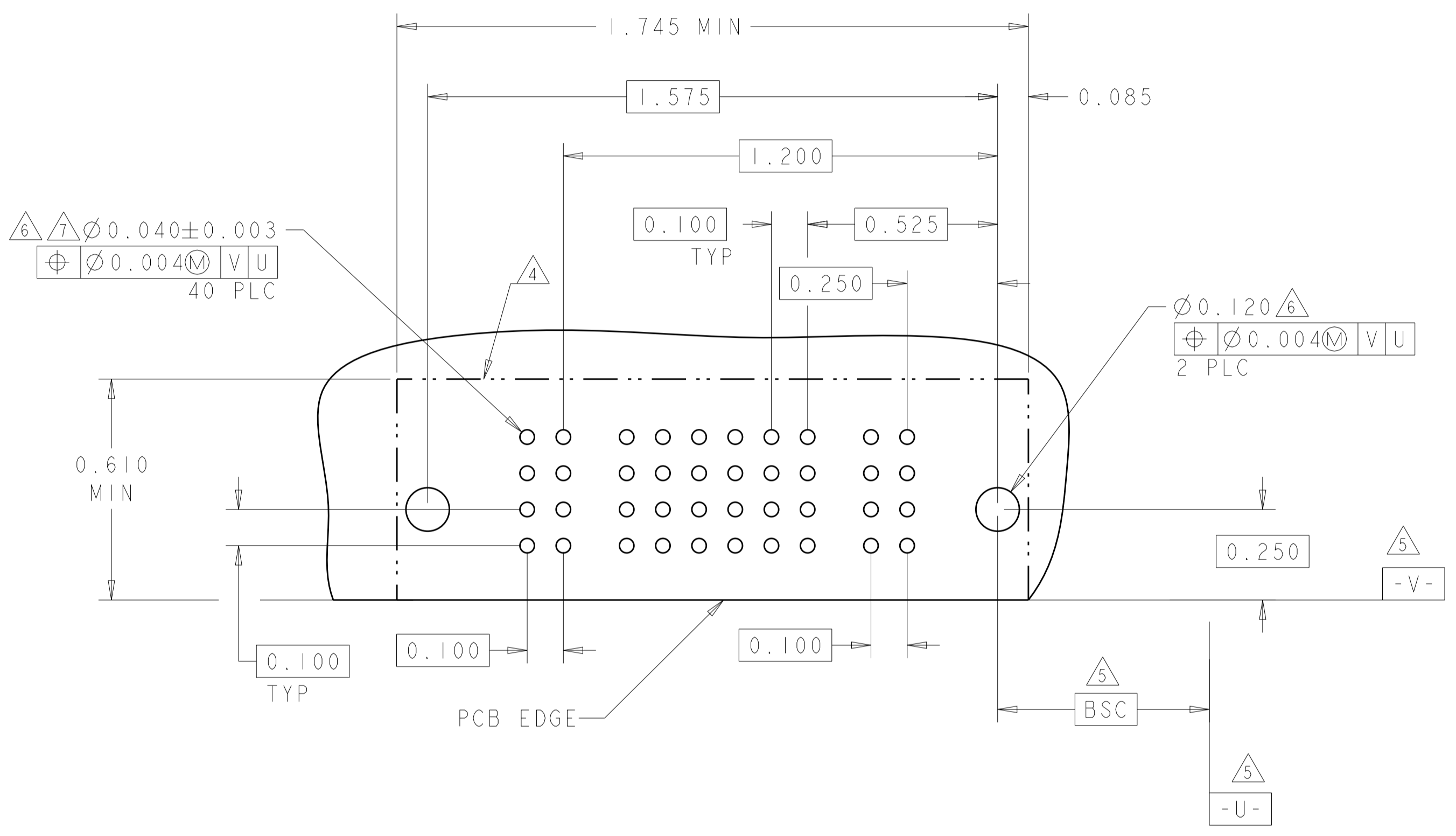
PCB LAYOUT FOR P/N: 6450880-4 ; 6450880-8 AND 2-6450880-3

THIS DRAWING IS A CONTROLLED DOCUMENT.		DMN S. ZHAO 25MAY2007	 TE Connectivity
DIMENSIONS: INCHES		CHK S. ZHAO 25MAY2007	
		APVD S. ZHAO 25MAY2007	
TOLERANCES UNLESS OTHERWISE SPECIFIED: 0 PLC ±.1 1 PLC ±.01 2 PLC ±.01 3 PLC ±.005 4 PLC ±.002 ANGLES ±.020 FINISH		PRODUCT SPEC 108-2292 APPLICATION SPEC 114-13251 WEIGHT CUSTOMER DRAWING	
MATERIAL		NAME RIGHT ANGLE RECEPTACLE WITH LP CONTACT AND SHORT END MODULES MULTI-BEAM XLE	RESTRICTED TO
		SIZE A100779	SCALE 4:1 SHEET 4 OF 13 REV F5

LOC		DIST		REVISIONS			
P	LTN	DESCRIPTION	DATE	DMN	APVD		
-	-	SEE SHEET 1	-	-	-		

PART NUMBER	ROWS	POWER		SIGNAL						POWER	
		P2	P1	6	5	4	3	2	1	P2	P1
6450880-5	D	RS	D	D	D	D	D	D	D	RS	
	C		C	C	C	C	C	C			
	B		B	B	B	B	B	B			
	A		A	A	A	A	A	A			
IP + 24S + IP											

PART NUMBER	ROWS	SIGNAL		POWER					
		2	1	LP6	LP5	LP4	LP3	LP2	LP1
6450880-6	D	D	D	LS	LS	LS	LS	LS	LS
	C	C							
	B	B							
	A	A							
6LP + 8S									



THIS DRAWING IS A CONTROLLED DOCUMENT.

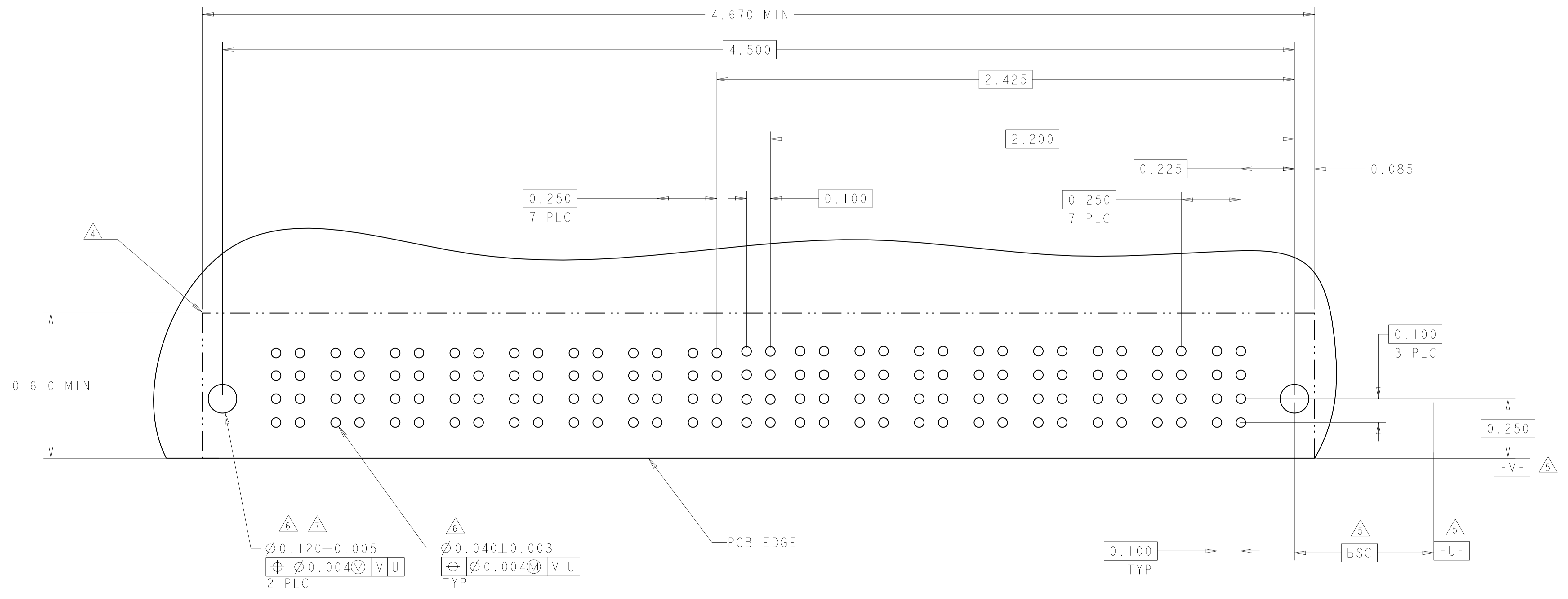
DIMENSIONS: INCHES	TOLERANCES UNLESS OTHERWISE SPECIFIED:	DMN S. ZHAO 25MAY2007	CHK S. ZHAO 25MAY2007	APVD S. ZHAO 25MAY2007	NAME
0 PLC ±.1	1 PLC ±.01	PRODUCT SPEC	108-2292	APPLICATION SPEC	RIGHT ANGLE RECEPTACLE WITH LP CONTACT AND SHORT END MODULES MULTI-BEAM XLE
2 PLC ±.005	3 PLC ±.002	SIZE	114-13251	WEIGHT	A100779C=6450880
4 PLC ±.002	ANGLES ±.2°	FINISH		CUSTOMER DRAWING	SCALE 4:1 SHEET 5 OF 13 REV F5

4805 (3/11)

LOC		DIST		REVISIONS			
ES	00	P	LTN	DESCRIPTION	DATE	DMN	APVD
		-		SEE SHEET 1			

PART NUMBER	ROWS	POWER									SIGNAL		POWER								
		P16	P15	P14	P13	P12	P11	P10	P9	2	1	P8	P7	P6	P5	P4	P3	P2	P1		
6450880-7	D C B A	RS	RS	RS	RS	RS	RS	RS	RS	RS	D	D	RS	RS	RS	RS	RS	RS	RS	RS	
											C	C									
												B	B								
												A	A								
8P + 8S + 8P																					

(DI)



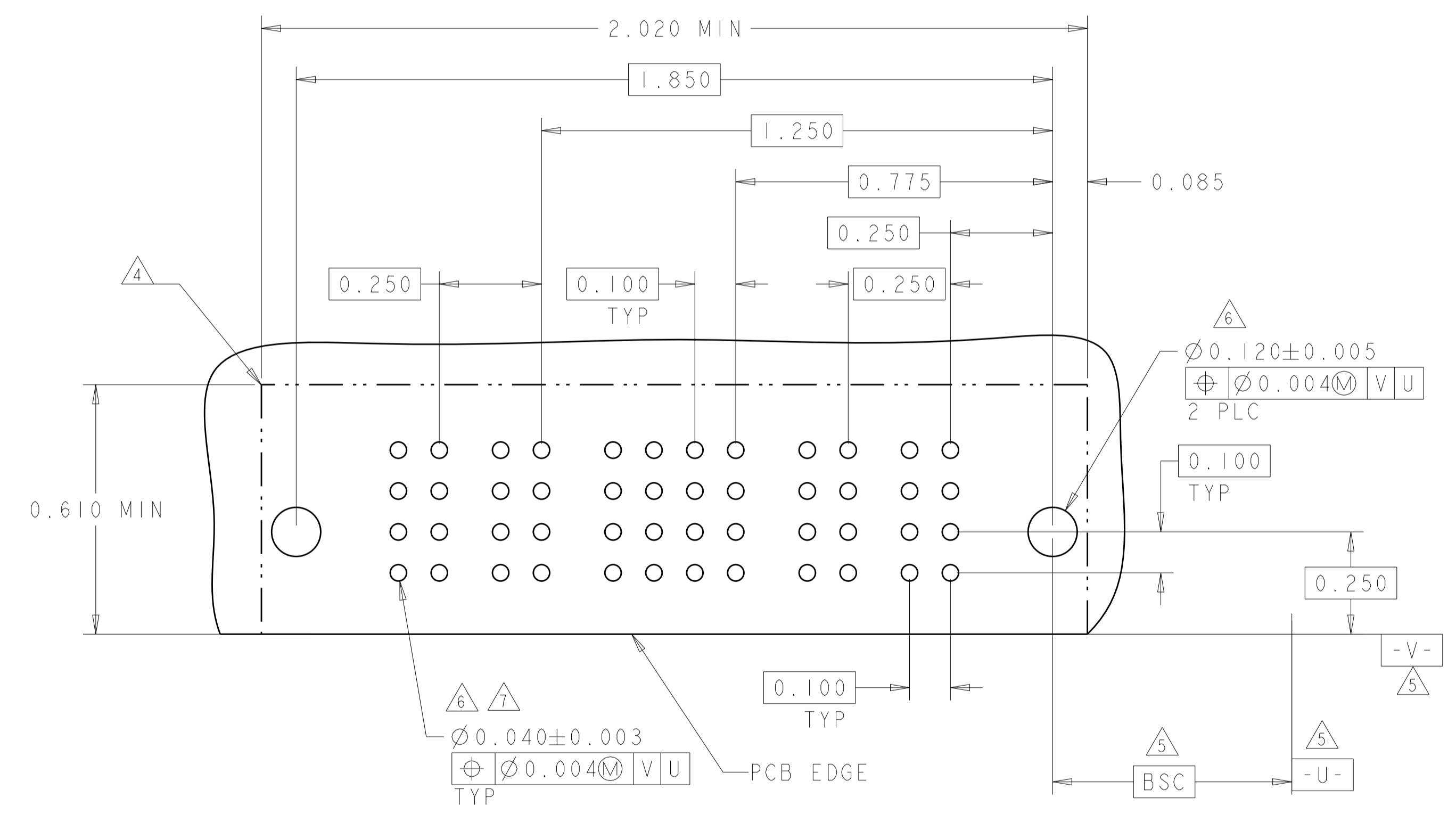
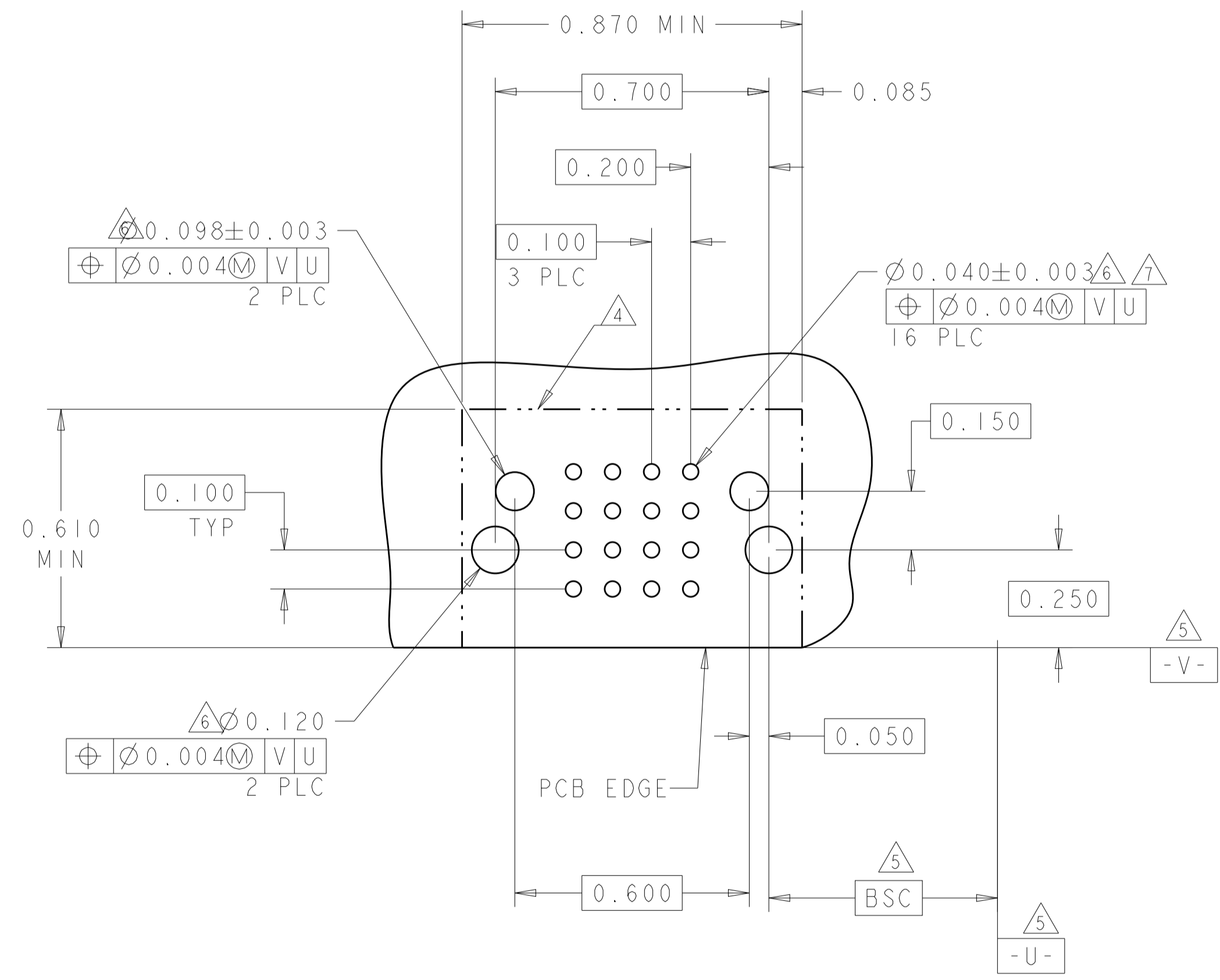
THIS DRAWING IS A CONTROLLED DOCUMENT.

DMN: S. ZHAO	25MAY2007		NAME: RIGHT ANGLE RECEPTACLE WITH LP CONTACT AND SHORT END MODULES MULTI-BEAM XLE
CHK: S. ZHAO	25MAY2007		
APPV: S. ZHAO	25MAY2007		
DATE: S. ZHAO	25MAY2007		
DIMENSIONS: INCHES	TOLERANCES UNLESS OTHERWISE SPECIFIED:	PRODUCT SPEC	RESTRICTED TO
0 PLC ±.1	1 PLC ±.01	108-2292	A100779
2 PLC ±.01	3 PLC ±.005	APPLICATION SPEC	C=6450880
4 PLC ±.0020	ANGLES ±.0020	114-13251	SCALE 4:1 SHEET 6 OF 13 REV F5
MATERIAL	FINISH	WEIGHT	CUSTOMER DRAWING

LOC		DIST		REVISIONS			
ES	00	P	LTN	DESCRIPTION	DATE	OWN	APVD
		-		SEE SHEET 1			

PART NUMBER	ROWS	SIGNAL			
		4	3	2	1
1-6450880-0	D	D	D	D	D
	C	C	C	C	C
	B	B	B	B	B
	A	A	A	A	A
16S					

PART NUMBER	ROWS	POWER		SIGNAL				POWER	
		P4	P3	4	3	2	1	P2	P1
1-6450880-5	D	RS	RS	D	D	D	D	RS	RS
	C			C	C	C			
	B			B	B	B			
	A			A	A	A			
2P + 16S + 2P									



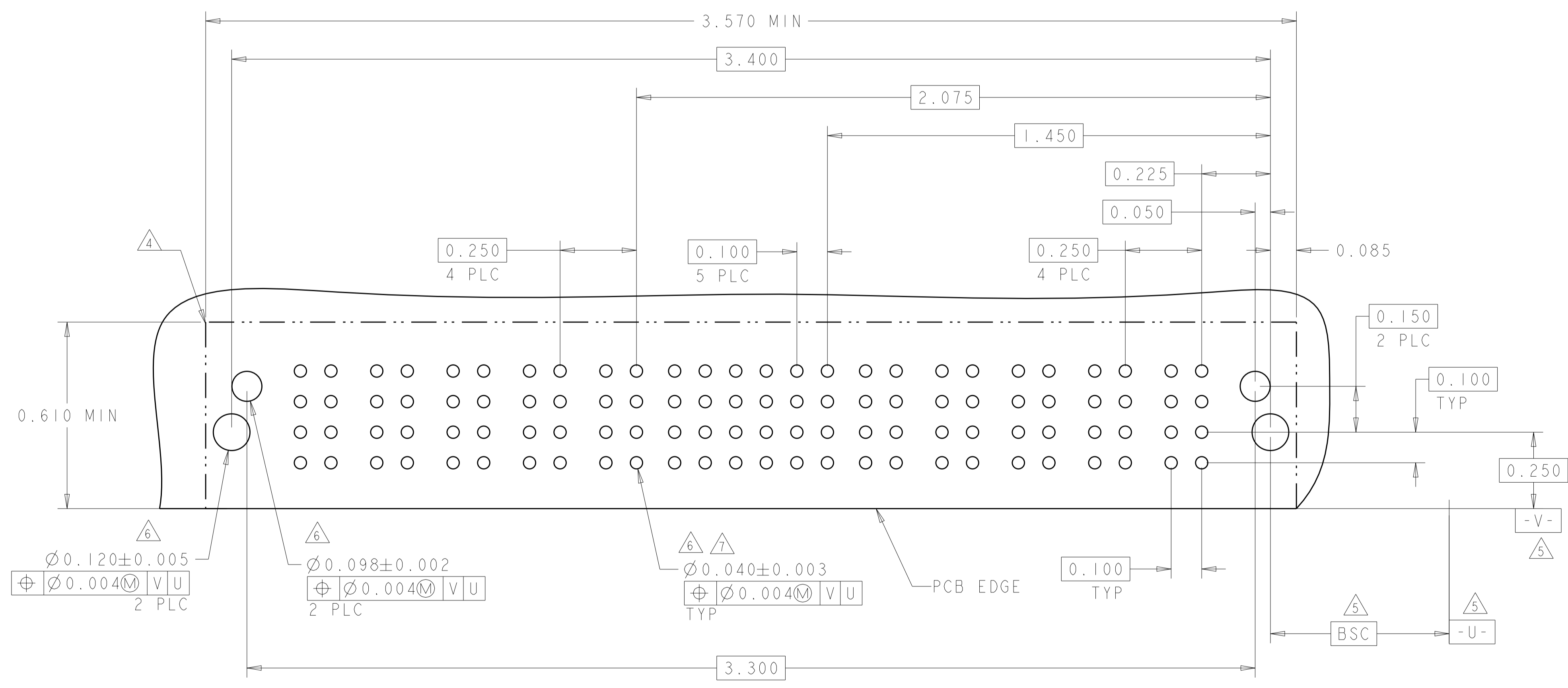
THIS DRAWING IS A CONTROLLED DOCUMENT.		OWN S. ZHAO 25MAY2007	TE Connectivity
DIMENSIONS: INCHES		CHK S. ZHAO 25MAY2007	
TOLERANCES UNLESS OTHERWISE SPECIFIED:		APVD S. ZHAO 25MAY2007	NAME
0 PLC ±.	1 PLC ±.1	PRODUCT SPEC	RIGHT ANGLE RECEPTACLE WITH LP CONTACT AND SHORT END MODULES MULTI-BEAM XLE
2 PLC ±.01	3 PLC ±.005	APPLICATION SPEC	SIZE CAGE CODE DRAWING NO
4 PLC ±.0020	ANGLES ±.7°	114-13251	RESTRICTED TO
MATERIAL	FINISH	WEIGHT	A100779C=6450880
CUSTOMER DRAWING		SCALE 4:1	SHEET 7 OF 13 REV F5





LOC	DIST	REVISIONS					
		P	LTN	DESCRIPTION	DATE	DMN	APVD
ES	00	-	-	SEE SHEET 1	-	-	-

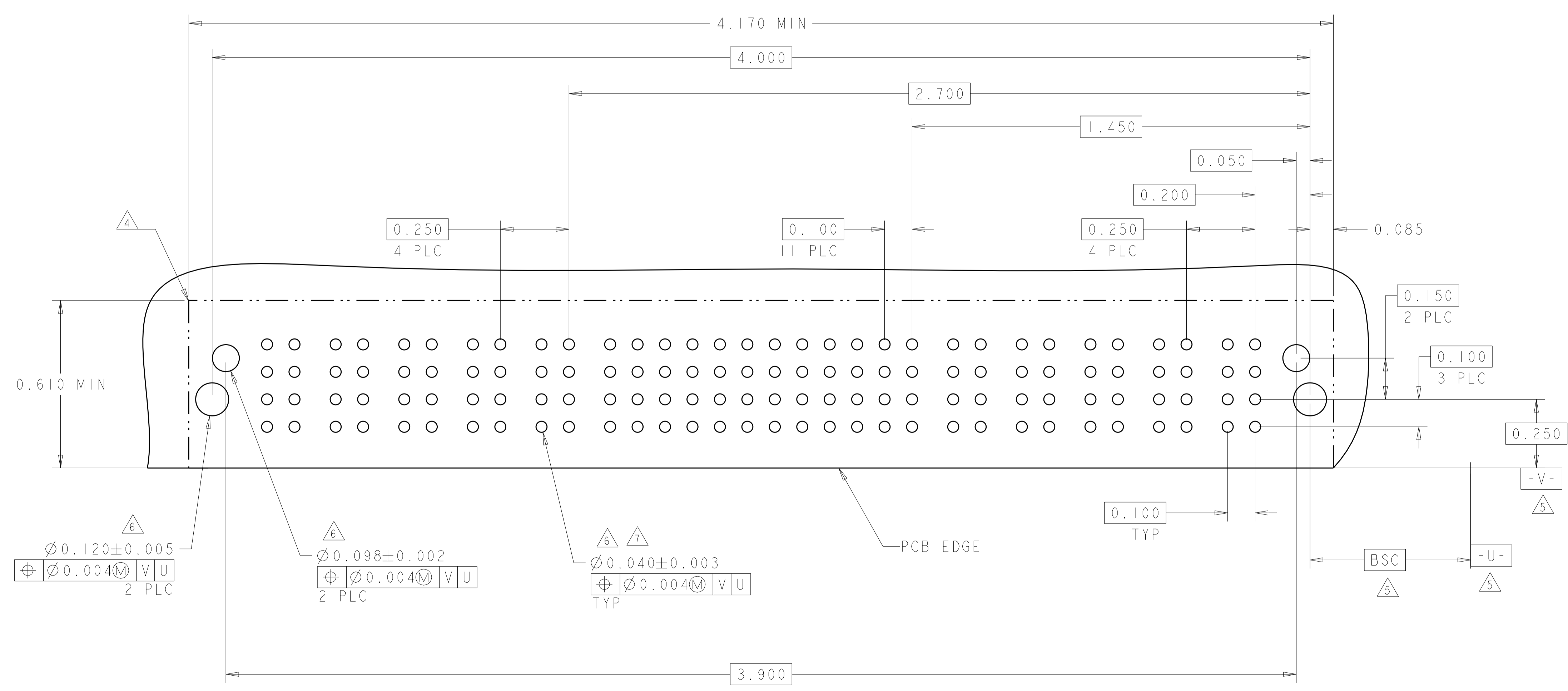
PART NUMBER	ROWS	POWER					SIGNAL						POWER				
		P10	P9	P8	P7	P6	6	5	4	3	2	1	P5	P4	P3	P2	P1
1-6450880-7	D C B A	RS	RS	RS	RS	RS	D	D	D	D	D	D	RS	RS	RS	RS	RS
							C	C	C	C	C	C					
							B	B	B	B	B	B					
							A	A	A	A	A	A					
5P + 24S + 5P																	



THIS DRAWING IS A CONTROLLED DOCUMENT.		DMN S. ZHAO 25MAY2007	<b>STE</b> TE Connectivity
DIMENSIONS: INCHES		CHK S. ZHAO 25MAY2007	
TOLERANCES UNLESS OTHERWISE SPECIFIED:		APVD S. ZHAO 25MAY2007	NAME RIGHT ANGLE RECEPTACLE WITH LP CONTACT AND SHORT END MODULES MULTI-BEAM XLE
0 PLC ±.1		PRODUCT SPEC 108-2292	SIZE CAGE CODE DRAWING NO. A100779C=6450880
1 PLC ±.01		APPLICATION SPEC 114-13251	RESTRICTED TO
2 PLC ±.005		WEIGHT	SCALE 4:1 SHEET 9 OF 13 REV F5
3 PLC ±.002		FINISH	CUSTOMER DRAWING
4 PLC ±.0020			
ANGLES ±.2°			

LOC	DIST	REVISIONS					
		P	LTN	DESCRIPTION	DATE	DWN	APVD
ES	00	-	-	SEE SHEET 1	-	-	-

PART NUMBER	ROWS	POWER					SIGNAL										POWER										
		P10	P9	P8	P7	P6	12	11	10	9	8	7	6	5	4	3	2	1	P5	P4	P3	P2	P1				
I-6450880-8	D C B A	RS	RS	RS	RS	RS	D	D	D	D	D	D	D	D	D	D	D	D	D	RS	RS	RS	RS	RS			
							C	C	C	C	C	C	C	C	C	C	C	C	C						C	C	
							B	B	B	B	B	B	B	B	B	B	B	B	B						B	B	B
							A	A	A	A	A	A	A	A	A	A	A	A	A						A	A	A
5P + 48S + 5P																											

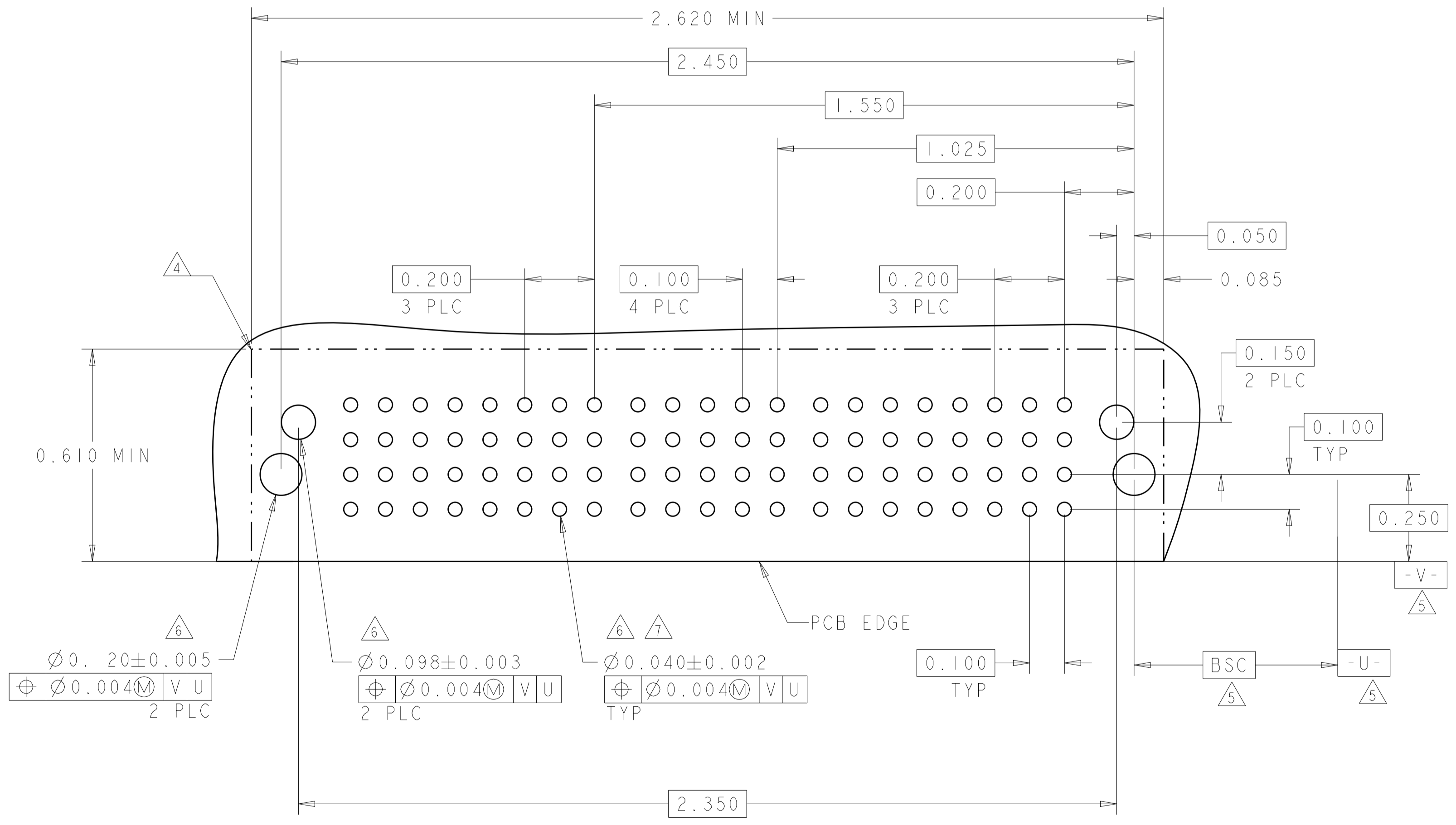


THIS DRAWING IS A CONTROLLED DOCUMENT.

DWN: S. ZHAO	25MAY2007		NAME: RIGHT ANGLE RECEPTACLE WITH LP CONTACT AND SHORT END MODULES MULTI-BEAM XLE
CHK: S. ZHAO	25MAY2007		
APVD: S. ZHAO	25MAY2007		
APVD: S. ZHAO	25MAY2007		
DIMENSIONS: INCHES	TOLERANCES UNLESS OTHERWISE SPECIFIED:	PRODUCT SPEC	RESTRICTED TO
0 PLC ±.1	1 PLC ±.01	108-2292	SIZE: A1
2 PLC ±.01	3 PLC ±.005	APPLICATION SPEC	CAGE CODE: 100779
4 PLC ±.002	5 PLC ±.0020	114-13251	DRAWING NO: C=6450880
ANGLES ±.7°	FINISH	WEIGHT	SCALE: 4:1
MATERIAL			SHEET 10 OF 13
		CUSTOMER DRAWING	REV: F5

LOC	DIST	REVISIONS					
ES	00	P	LTH	DESCRIPTION	DATE	DWN	APVD
-	-	-	-	SEE SHEET 1	-	-	-

PART NUMBER	ROWS		POWER				SIGNAL					POWER				
			P8	P7	P6	P5	5	4	3	2	1	P4	P3	P2	P1	
I-6450880-9	D		RS	RS	RS	RS	D	D	D	D	D	RS	RS	RS	RS	
	C						C	C	C	C						
	B						B	B	B	B						
	A						A	A	A	A						
4HDP + 20S + 4HDP																

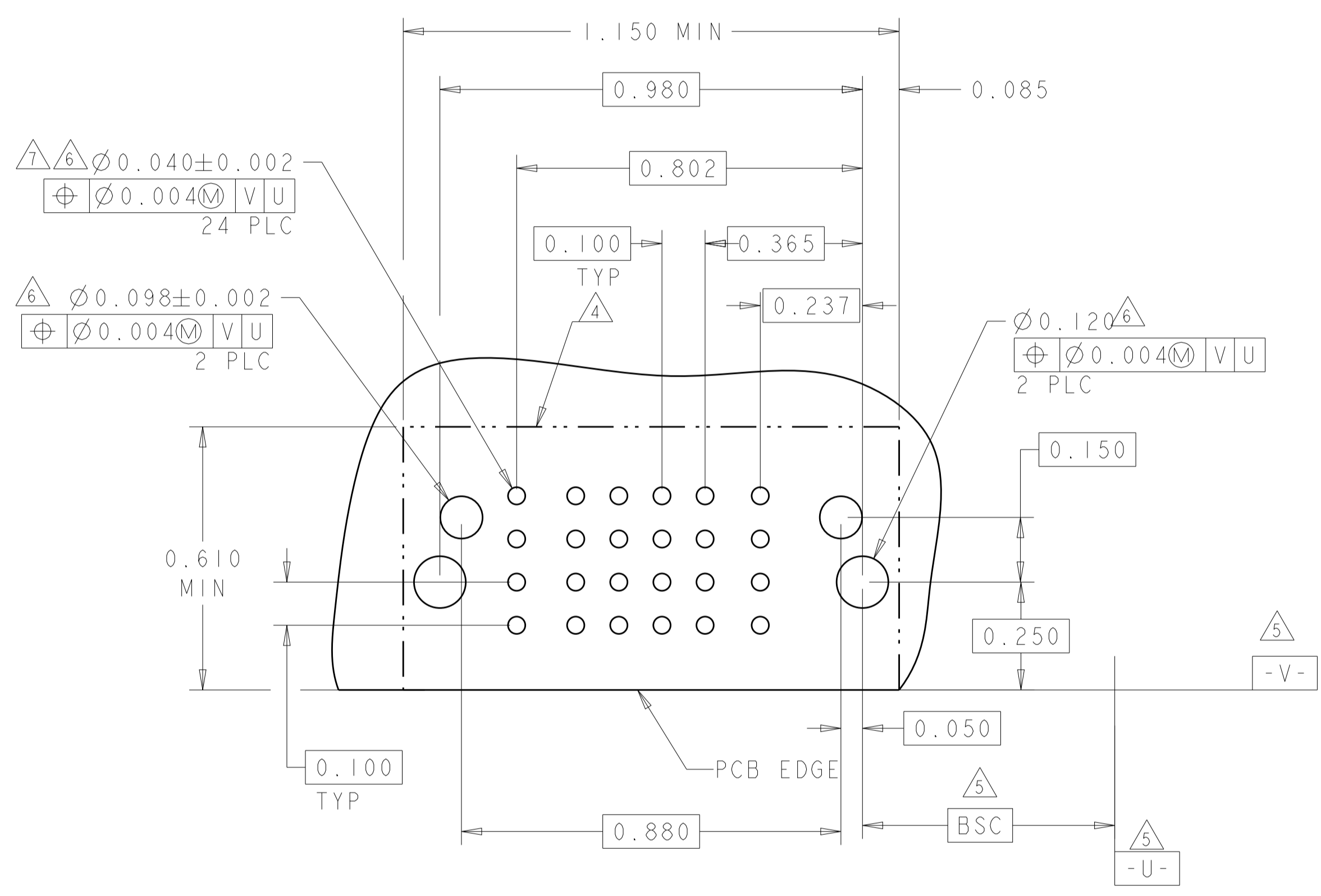


THIS DRAWING IS A CONTROLLED DOCUMENT.		DWN: S. ZHAO 25MAY2007		NAME: RIGHT ANGLE RECEPTACLE WITH LP CONTACT AND SHORT END MODULES MULTI-BEAM XLE											
DIMENSIONS: INCHES		CHK: S. ZHAO 25MAY2007		PRODUCT SPEC: 108-2292											
TOLERANCES UNLESS OTHERWISE SPECIFIED:		APVD: S. ZHAO 25MAY2007		APPLICATION SPEC: 114-13251											
<table border="1"> <tr><td>0 PLC</td><td>±.</td></tr> <tr><td>1 PLC</td><td>±.1</td></tr> <tr><td>2 PLC</td><td>±.01</td></tr> <tr><td>3 PLC</td><td>±.005</td></tr> <tr><td>4 PLC</td><td>±.002</td></tr> <tr><td>ANGLES</td><td>±.2°</td></tr> </table>		0 PLC		±.	1 PLC	±.1	2 PLC	±.01	3 PLC	±.005	4 PLC	±.002	ANGLES	±.2°	RESTRICTED TO:
0 PLC	±.														
1 PLC	±.1														
2 PLC	±.01														
3 PLC	±.005														
4 PLC	±.002														
ANGLES	±.2°														
MATERIAL:	FINISH:	WEIGHT:	SCALE: 4:1	SHEET 11 OF 13											
CUSTOMER DRAWING		A100779C=6450880		REV: F5											

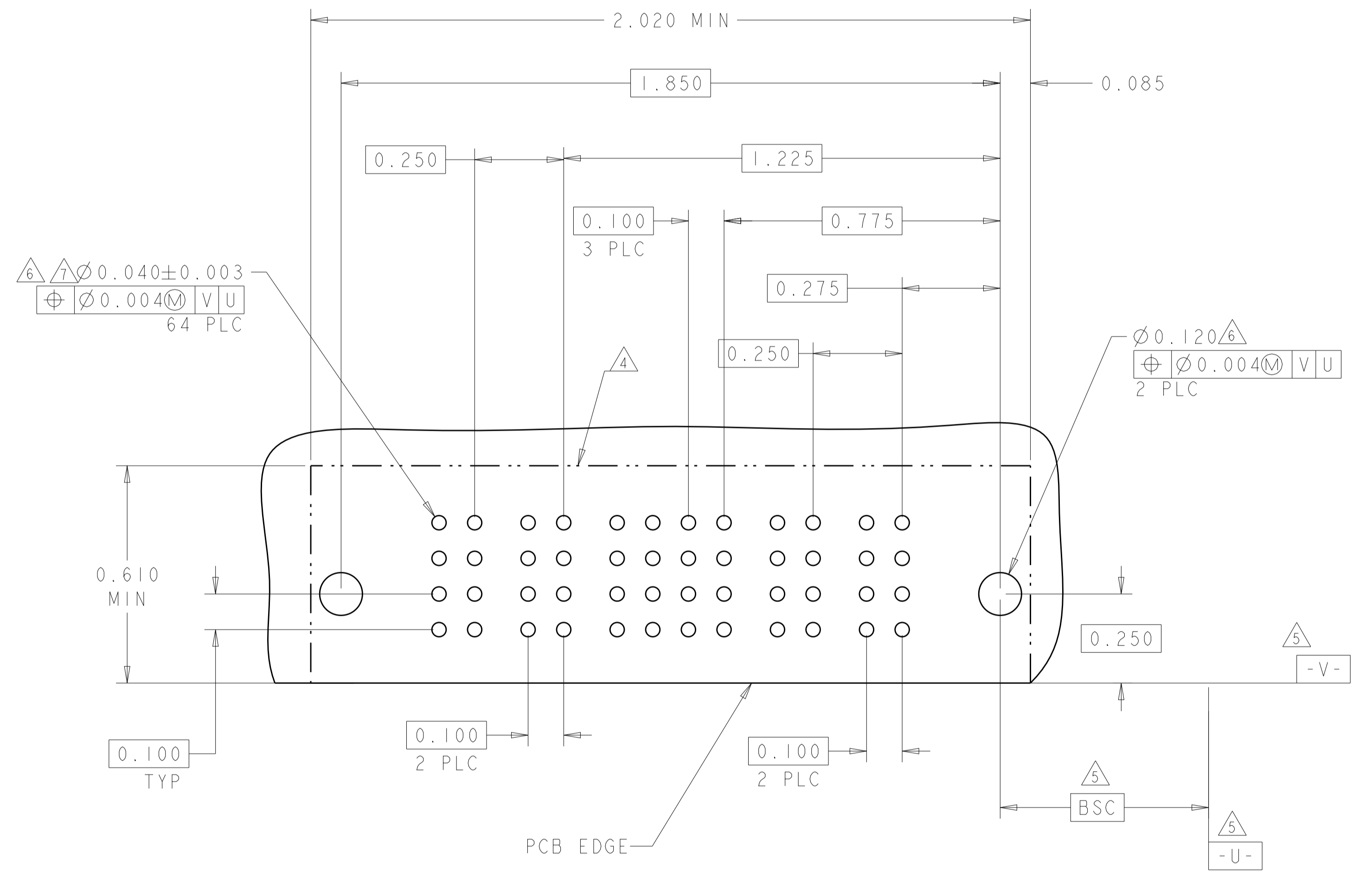
LOC	DIST	REVISIONS			
P	LTH	DESCRIPTION	DATE	DNW	APVD
-	-	SEE SHEET 1	-	-	-

PART NUMBER	ROWS		POWER				SIGNAL				POWER		
			P2	4	3	2	1	P1					
2-6450880-0	D C B A	HD	LS	D	D	D	D	LS					HD
ILP + 16S + ILP				C	C	C	C						
				B	B	B	B						
				A	A	A	A						

E7



PART NUMBER	ROWS		POWER		SIGNAL				POWER	
			P4	P3	4	3	2	1	P2	P1
2-6450880-6	D C B A		RS	RS	D	D	D	D	RS	RS
2P + 16S + 2P					C	C	C	C		
					B	B	B	B		
					A	A	A	A		



THIS DRAWING IS A CONTROLLED DOCUMENT.

DIMENSIONS: INCHES	TOLERANCES UNLESS OTHERWISE SPECIFIED:	0 PLC ±.1	1 PLC ±.1	2 PLC ±.01	3 PLC ±.005	4 PLC ±.002	ANGLES ±.2°	FINISH
--------------------	--	-----------	-----------	------------	-------------	-------------	-------------	--------

DNW: S. ZHAO	25MAY2007	CHK: S. ZHAO	25MAY2007	APVD: S. ZHAO	25MAY2007
PRODUCT SPEC	108-2292	APPLICATION SPEC	114-13251	WEIGHT	
CUSTOMER DRAWING	SCALE: 4:1	SHEET 12 OF 13	REV: F5		

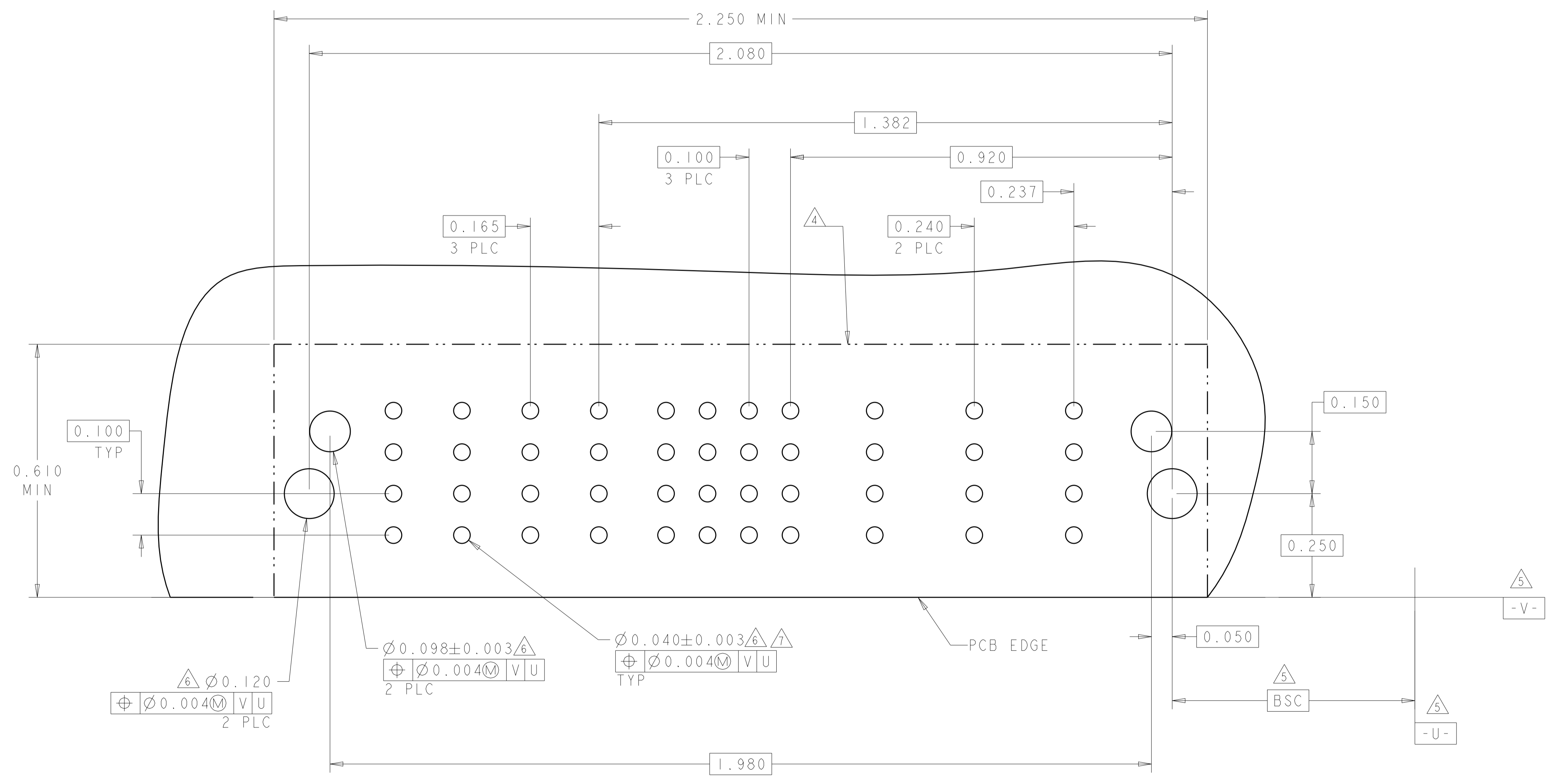
**STE** TE Connectivity

NAME: RIGHT ANGLE RECEPTACLE WITH LP CONTACT AND SHORT END MODULES MULTI-BEAM XLE

SIZE: A100779 C=6450880

LOC		DIST		REVISIONS			
ES	00	P	LTH	DESCRIPTION	DATE	DWN	APVD
		-		SEE SHEET 1			

PART NUMBER	ROWS	POWER				SIGNAL				POWER		
		LP7	LP6	LP5	LP4	4	3	2	1	LP3	LP2	LP1
2-6450880-7	D	LS	LS	LS	LS	D	D	D	D	LS	LS	LS
	C					C	C	C				
	B					B	B	B				
	A					A	A	A				
3LP + 16S + 4LP												



THIS DRAWING IS A CONTROLLED DOCUMENT.		DWN S. ZHAO 25MAY2007	
DIMENSIONS: INCHES		CHK S. ZHAO 25MAY2007	
		APVD S. ZHAO 25MAY2007	
TOLERANCES UNLESS OTHERWISE SPECIFIED: 0 PLC ±.1 1 PLC ±.1 2 PLC ±.01 3 PLC ±.005 4 PLC ±.002 ANGLES ±.2°		PRODUCT SPEC 108-2292 APPLICATION SPEC 114-13251 WEIGHT - CUSTOMER DRAWING	
MATERIAL -		FINISH -	NAME RIGHT ANGLE RECEPTACLE WITH LP CONTACT AND SHORT END MODULES MULTI-BEAM XLE SIZE CAGE CODE DRAWING NO. A100779C=6450880 RESTRICTED TO - SCALE 4:1 SHEET 13 OF 13 REV F5