



Chipsmall Limited consists of a professional team with an average of over 10 year of expertise in the distribution of electronic components. Based in Hongkong, we have already established firm and mutual-benefit business relationships with customers from,Europe,America and south Asia,supplying obsolete and hard-to-find components to meet their specific needs.

With the principle of “Quality Parts,Customers Priority,Honest Operation,and Considerate Service”,our business mainly focus on the distribution of electronic components. Line cards we deal with include Microchip,ALPS,ROHM,Xilinx,Pulse,ON,Everlight and Freescale. Main products comprise IC,Modules,Potentiometer,IC Socket,Relay,Connector.Our parts cover such applications as commercial,industrial, and automotives areas.

We are looking forward to setting up business relationship with you and hope to provide you with the best service and solution. Let us make a better world for our industry!



Contact us

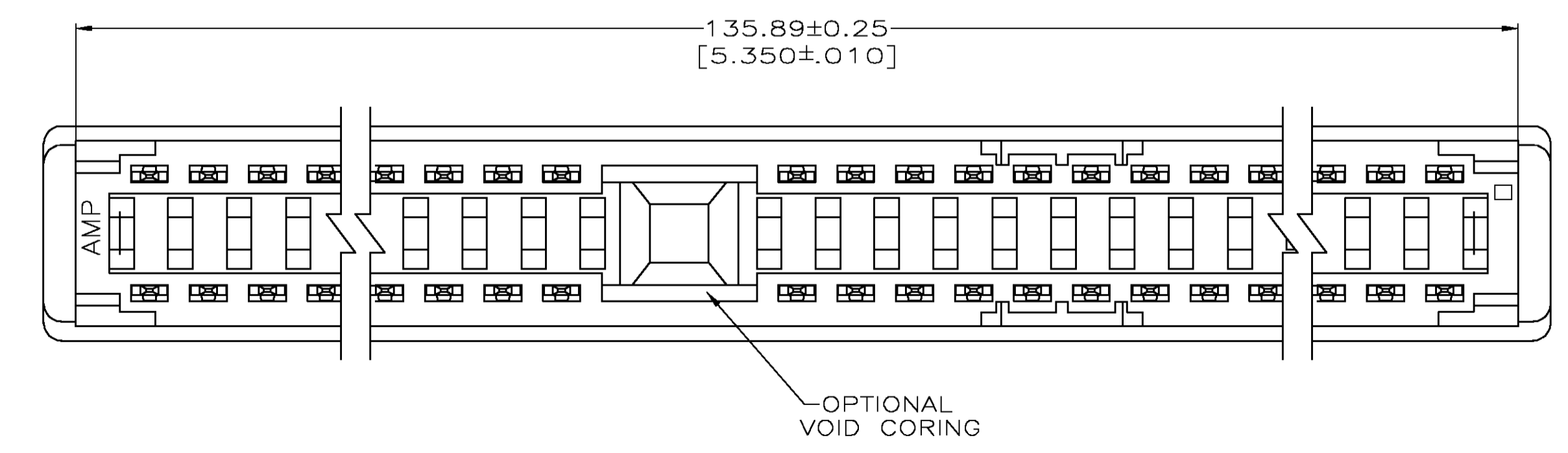
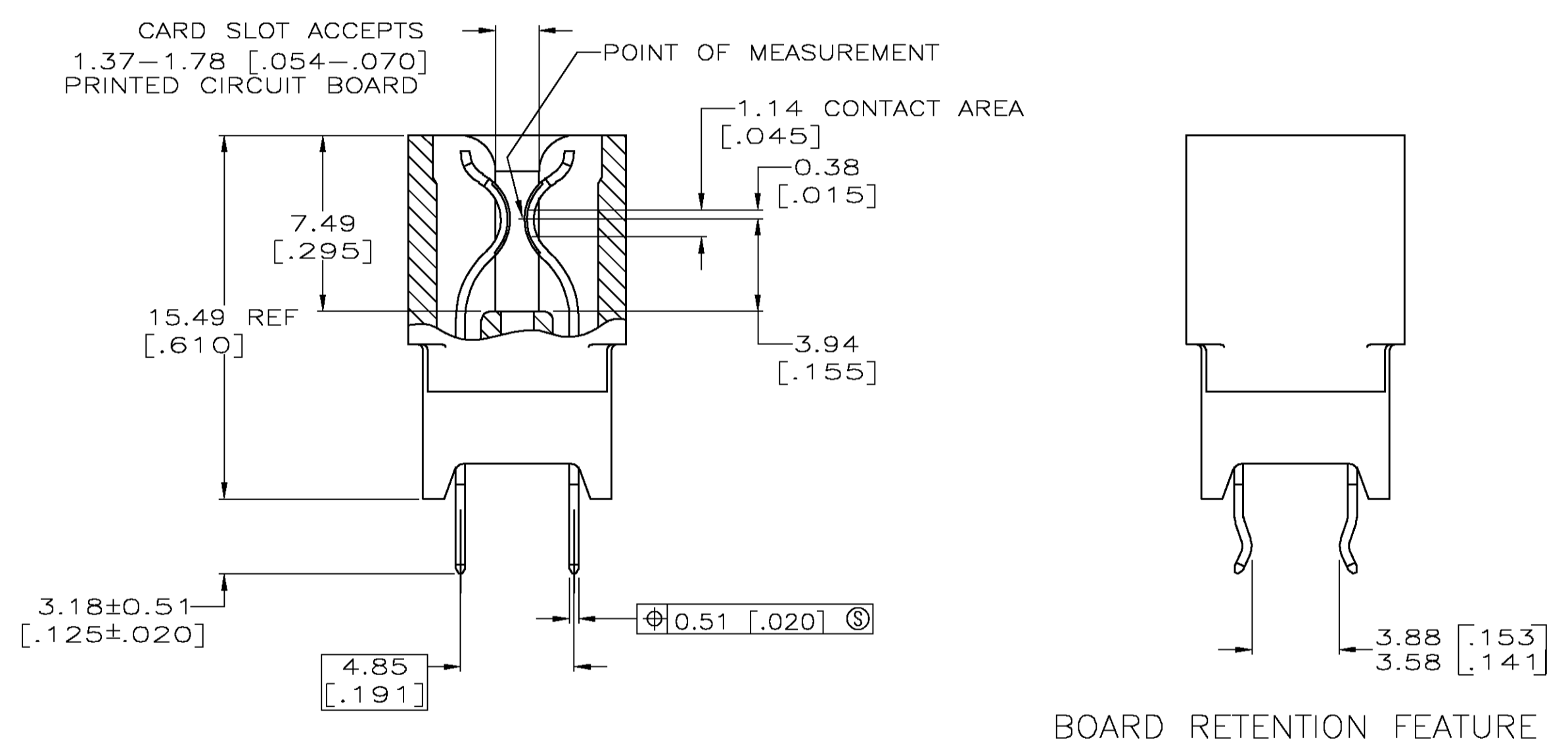
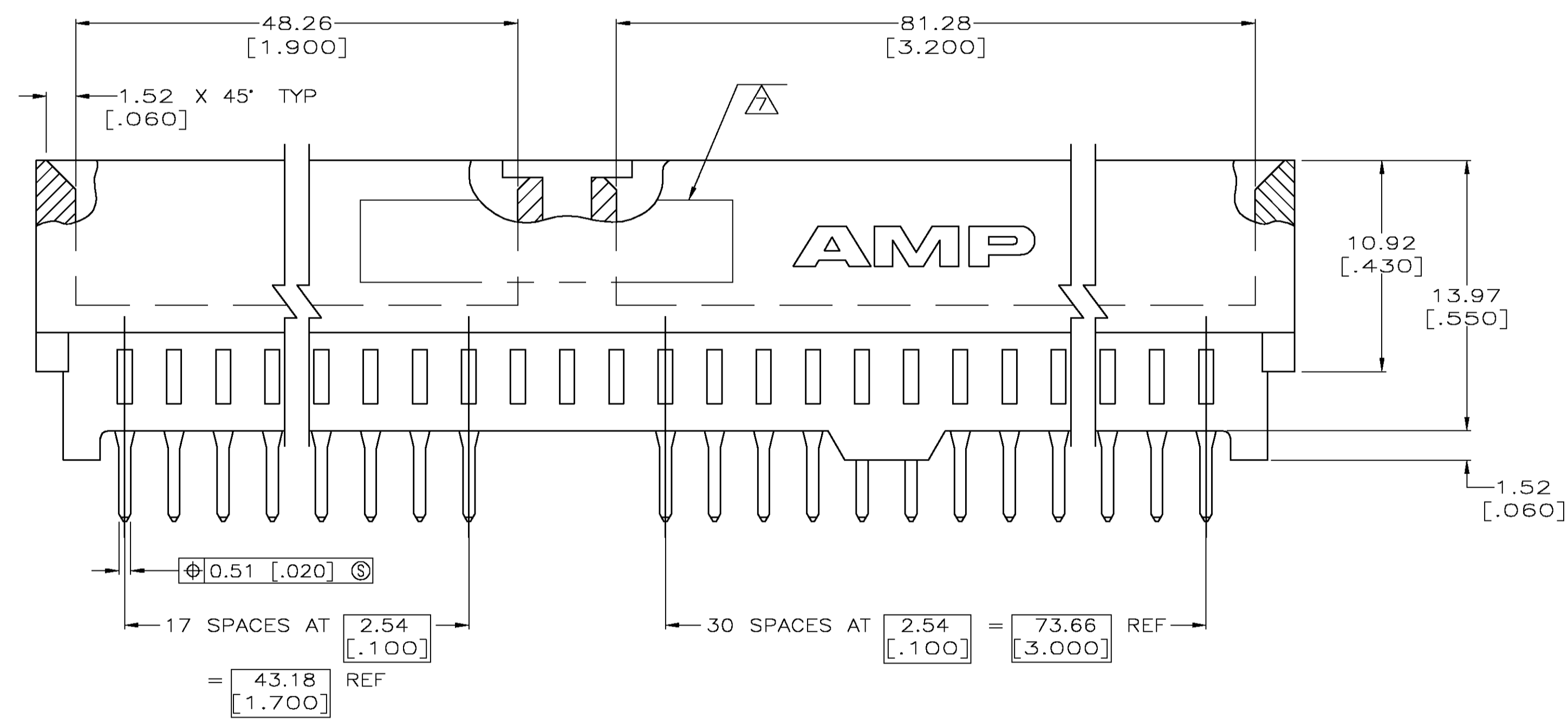
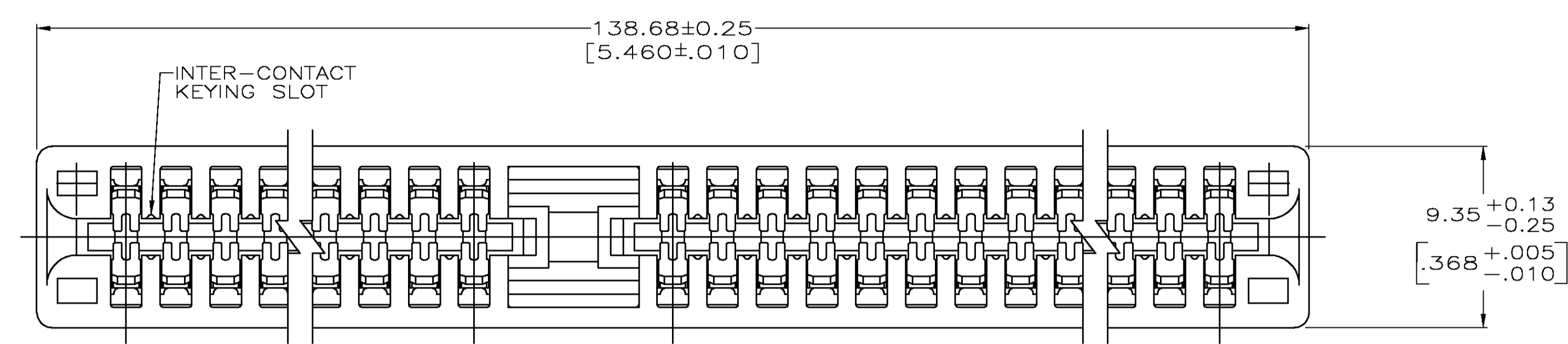
Tel: +86-755-8981 8866 Fax: +86-755-8427 6832

Email & Skype: info@chipsmall.com Web: www.chipsmall.com

Address: A1208, Overseas Decoration Building, #122 Zhenhua RD., Futian, Shenzhen, China



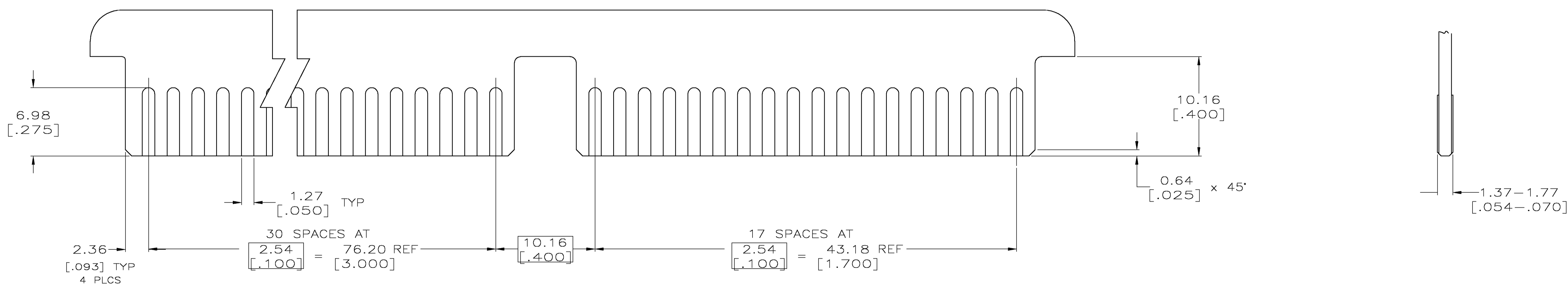
- ① HOUSING: GLASS FILLED POLYESTER; COLOR: BLACK.
- ② CONTACT: PHOSPHOR BRONZE.
- ③ NICKEL PLATE: 0.00127 [.000050] MIN - ALL OVER.
- ④ TIN-LEAD PLATE: 0.00254 [.000100] MIN-SOLDER POSTS.
- ⑤ GOLD PLATE: 0.00076 [.000030] MIN - CONTACT AREA.
- ⑥ NICKEL PLATE PER MIL-G-45204. GOLD PLATE PER QQ-N-290.
- △ AMP PART NUMBER, DATE CODE AND CSA LOGO ARE MARKED IN APPROXIMATE AREA SHOWN, EITHER SIDE.
- 8. RECOMMENDED PCB FINISHED HOLE DIA: 1.02±0.08 [.040±.003].
- 9. THE RETENTIVE FEATURE OF THIS CONNECTOR IS DESIGNED FOR FULL SEATING IN .062±0.08 THICK CIRCUIT BOARDS. FOR APPLICATIONS IN BOARDS OF OTHER THICKNESSES CONTACT AMP INCORPORATED.
- ⑩ PACKAGED 20 CONNECTORS PER TUBE.
- ⑪ PACKAGED 72 CONNECTORS PER EPS TRAY.
- ⑫ GOLD PLATE: 0.00038 [.000015] MIN - CONTACT AREA.
- ⑬ PACKAGED IN SLIDE PACK.
- ⑭ PACKAGE 57 CONNECTORS IN TUBES.
- ⑮ DATUMS AND BASIC DIMENSIONS TO BE DETERMINED BY CUSTOMER.



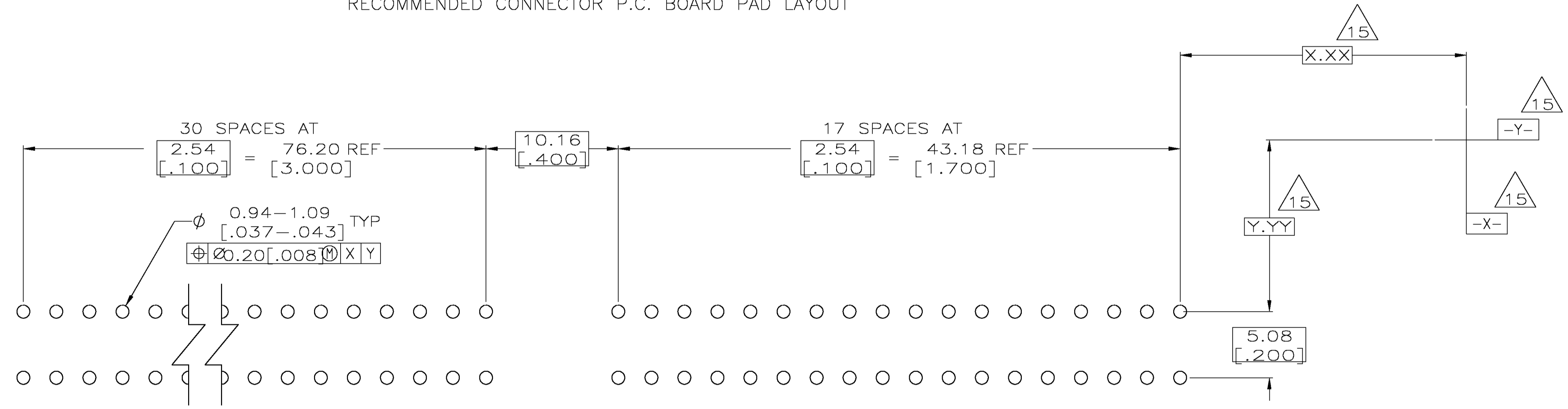
OBSOLETE	NOTE 5	NOTE 13			2-645169-4
OBSOLETE				49	1-645169-3
OBSOLETE	NOTE 5	NOTE 11		49	645169-9
OBSOLETE	NOTE 5	NOTE 11	3-6,41,42,51,52,93-96	49	645169-8
OBSOLETE	NOTE 5	NOTE 14	3-6, 41, 42, 51, 52, 93-96	49	645169-7
OBSOLETE	NOTE 5	NOTE 10		49	645169-6
OBSOLETE	NOTE 12	NOTE 11		49	645169-5
	NOTE 5	NOTE 11	5,6,31,32,41,42,93,94	49	645169-4
	NOTE 5	NOTE 11	-	49	645169-3
	NOTE 5	NOTE 11	5,6,31,32,41,42,93,94	49	645169-2
PLATING	PACKAGE	BOARD RETENTION LOCATION	NO OF POSN	PART NUMBER	

THIS DRAWING IS A CONTROLLED DOCUMENT.

DIMENSIONS: mm	TOLERANCES UNLESS OTHERWISE SPECIFIED:	DIN R BROWN 7/30/97	APVD M PAVLOVICH 7/30/97	tyco Electronics Tyco Electronics Corporation Harrisburg, Pa 17105-3608
0 PLC ± -	1 PLC ± -	PRODUCT SPEC 108-9039	NAME	CONNECTOR ASSEMBLY, STANDARD EDGE II, 2.54 [.100]
2 PLC ± 0.13 [.005]	3 PLC ± -	APPLICATION SPEC	SIZE CAGE CODE DRAWING NO	RESTRICTED TO
4 PLC ± -	ANGLES ± z	WEIGHT	A1 00779 C=645169	
MATERIAL	FINISH	CUSTOMER DRAWING	SCALE 5:1	SHEET 1 OF 2



RECOMMENDED CONNECTOR P.C. BOARD PAD LAYOUT



RECOMMENDED CONNECTOR P.C. BOARD HOLE PATTERN

THIS DRAWING IS A CONTROLLED DOCUMENT.		DIN R BROWN 7/30/97		Tyco Electronics Corporation Harrisburg, Pa 17105-3608	
DIMENSIONS: mm		CHK M PAVLOVICH 7/30/97		NAME	CONNECTOR ASSEMBLY, STANDARD EDGE II, 2.54 [.100]
TOLERANCES UNLESS OTHERWISE SPECIFIED:		APVD	PRODUCT SPEC	108-9039	
0 PLC ± -			APPLICATION SPEC	-	
1 PLC ± -			SIZE	A1	
2 PLC ± 0.13 [.005]			WEIGHT	00779 C=645169	
3 PLC ± -			CUSTOMER DRAWING	SCALE 5:1 SHEET 2 OF 2 REV W	
4 PLC ± -					
ANGLES ± -					
FINISH					