



Chipsmall Limited consists of a professional team with an average of over 10 year of expertise in the distribution of electronic components. Based in Hongkong, we have already established firm and mutual-benefit business relationships with customers from,Europe,America and south Asia,supplying obsolete and hard-to-find components to meet their specific needs.

With the principle of "Quality Parts,Customers Priority,Honest Operation,and Considerate Service",our business mainly focus on the distribution of electronic components. Line cards we deal with include Microchip,ALPS,ROHM,Xilinx,Pulse,ON,Everlight and Freescale. Main products comprise IC,Modules,Potentiometer,IC Socket,Relay,Connector.Our parts cover such applications as commercial,industrial, and automotives areas.

We are looking forward to setting up business relationship with you and hope to provide you with the best service and solution. Let us make a better world for our industry!



## Contact us

Tel: +86-755-8981 8866 Fax: +86-755-8427 6832

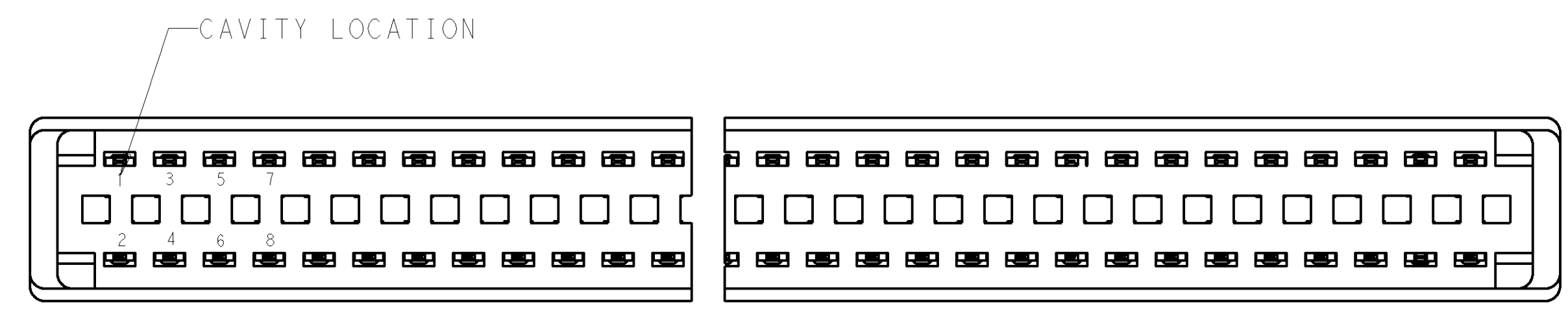
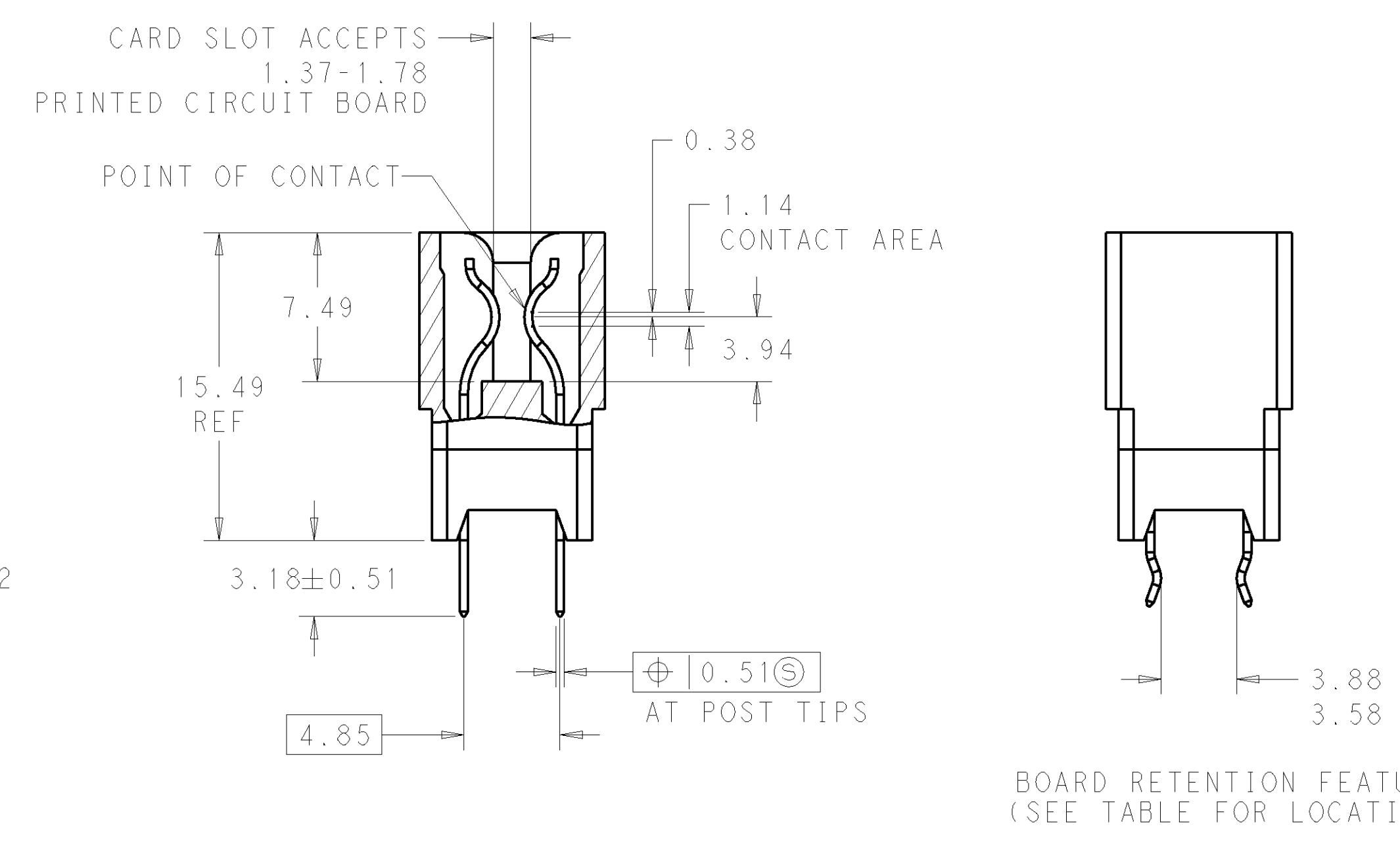
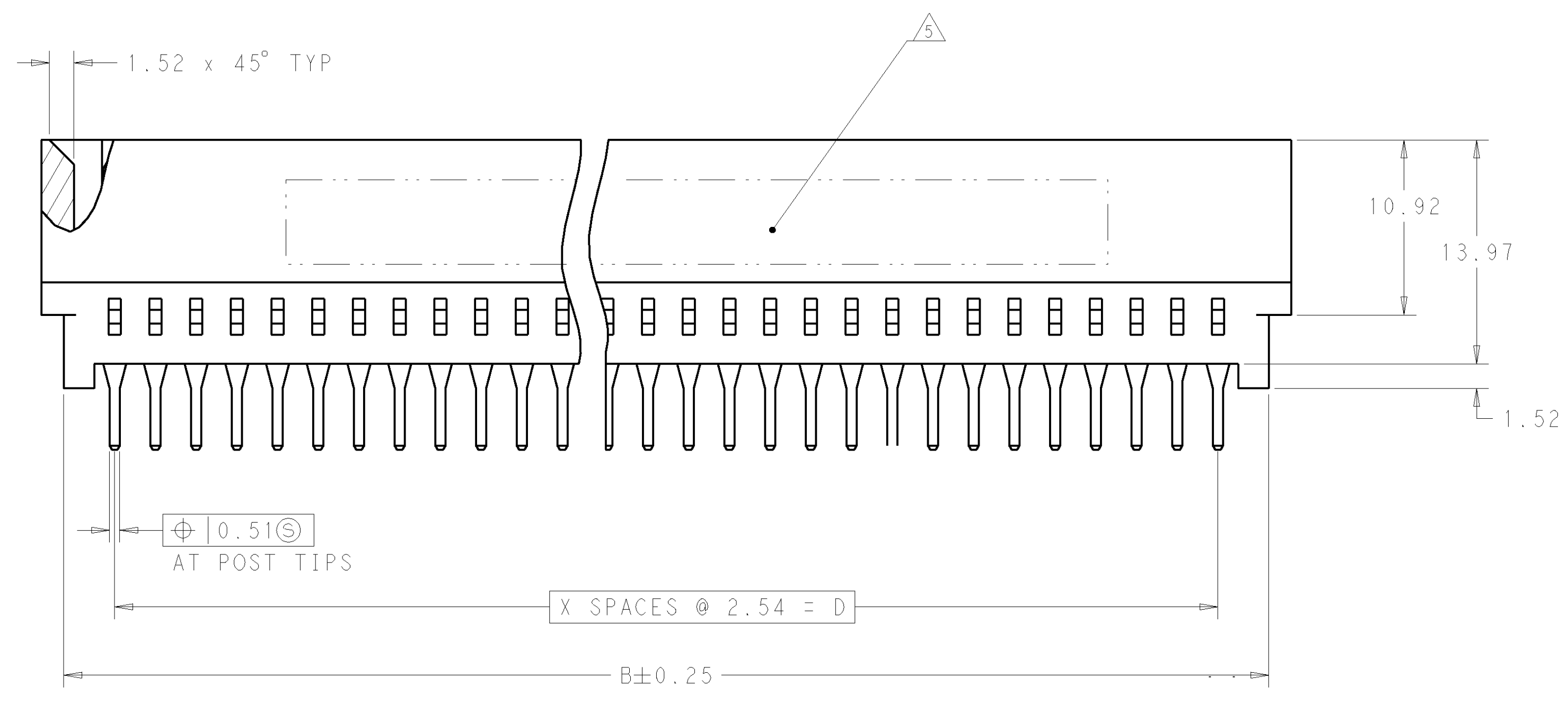
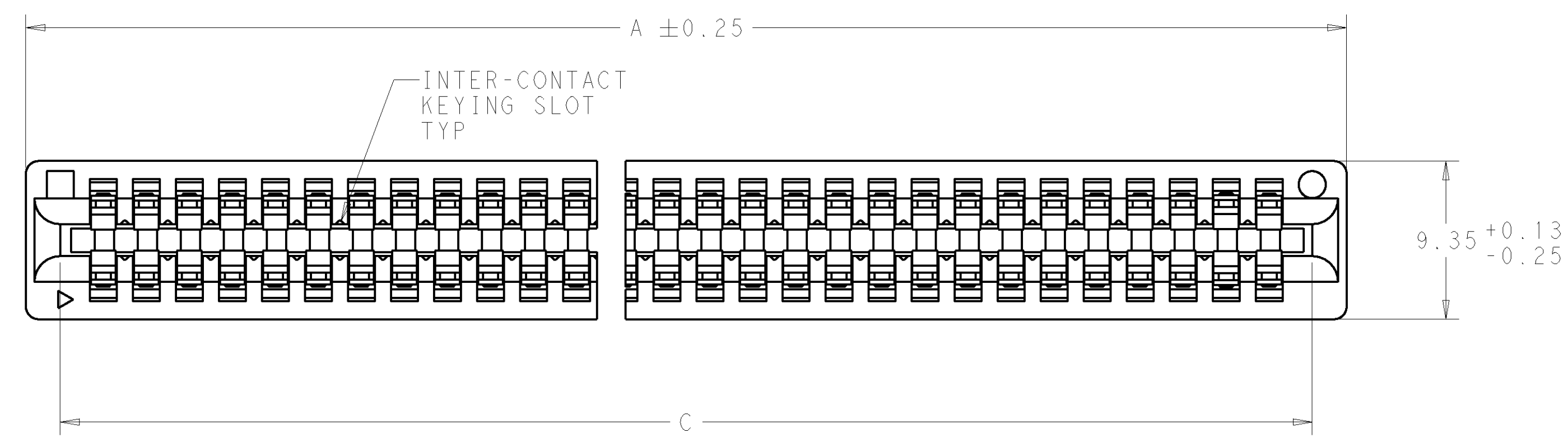
Email & Skype: info@chipsmall.com Web: www.chipsmall.com

Address: A1208, Overseas Decoration Building, #122 Zhenhua RD., Futian, Shenzhen, China



LOC	DIST	REV	LYR	DESCRIPTION	DATE	DWN	APVD
GP	00						
		AG		REV PER ECO-09-020951	15SEP2009	RG	EH
		AG1		REVISED PER ECO-10-000443	15JAN10	KK	AEG

- MATERIAL:  
HOUSING: GLASS FILLED POLYESTER: COLOR, BLACK  
CONTACT: PHOS BRONZE
- FINISH:  
(SEE TABLE) GOLD PLATING IN CONTACT AREA,  
0.00254 MIN TIN/LEAD ON SOLDER POSTS, ALL OVER 0.00127 MIN NICKEL
  - ③ 0.00076 MIN GOLD
  - ④ 0.000076 MIN GOLD FLASH
  - ⑤ AMP LOGO, TE PART NUMBER, DATE CODE AND CSA LOGO INK STAMPED WHITE (HOT STAMPED OR LAZER PRINTED) IN THE APPROXIMATE AREA SHOWN, EITHER SIDE PERMISSABLE, WHEN HOUSING SIZE PERMITS
- RECOMMENDED PCB FINISHED HOLE DIAMETER = 1.02±0.08
- THE RETENTION FEATURE OF THIS CONNECTOR IS DESIGNED FOR FULL SEATING IN 1.57±0.20 THICK CIRCUIT BOARDS. FOR APPLICATIONS IN BOARDS OF OTHER THICKNESS, CONTACT TYCO ELECTRONICS.



SUPERSEDED	2-645235-1
OBSOLETE	1-645235-7
SUPERSEDED	1-645235-3
SUPERSEDED	645235-7
	PART NUMBER

④	3-6, 55-58, 63-66, 115-118	149.86	154.94	156.21	159.00	59	60	1-645235-8
③	3-6, 65-68	86.36	91.44	92.71	95.50	34	35	1-645235-1
③	3-6, 31-34	43.18	48.26	49.53	52.32	17	18	645235-4
③	3-6, 49-52, 95-98	124.46	129.54	130.81	133.60	49	50	645235-3
③	3-6, 29-32 OR 31-34, 57-60	76.20	81.28	82.55	85.34	30	31	645235-1
GOLD PLATING	BOARD RETENTION FEATURE LOCATION	D	C	B	A	X	NO. OF DUAL POSITIONS	PART NUMBER

DIMENSIONS: mm		TOLERANCES UNLESS OTHERWISE SPECIFIED:		DWN: MAYER/GBZTBOWSKI		15SEP2009		Tyco Electronics	
① PLC ±		② PLC ±0.13		E. HOWARD		15SEP2009		Harrisburg, PA 17105-3608	
③ PLC ±		④ PLC ±		APVD: FELICKINGER/SPECHEKEL		NAME		CONNECTOR ASSEMBLY	
⑤ ANGLES ±		FINISH: #2		PRODUCT SPEC: 108-9039		SIZE: CAGE CODE: DRAWING NO:		STANDARD EDGE, II	
MATERIAL: SEE NOTE 1		FINISH: SEE NOTE 2		APPLICATION SPEC: 114-13018		SCALE: 4:1		2.54 CENTERLINE	
				WEIGHT: -		RESTRICTED TO:		A100779C-645235	
				CUSTOMER DRAWING		SHEET 1 OF 1		REV: AG1	