



Chipsmall Limited consists of a professional team with an average of over 10 year of expertise in the distribution of electronic components. Based in Hongkong, we have already established firm and mutual-benefit business relationships with customers from,Europe,America and south Asia,supplying obsolete and hard-to-find components to meet their specific needs.

With the principle of "Quality Parts,Customers Priority,Honest Operation,and Considerate Service",our business mainly focus on the distribution of electronic components. Line cards we deal with include Microchip,ALPS,ROHM,Xilinx,Pulse,ON,Everlight and Freescale. Main products comprise IC,Modules,Potentiometer,IC Socket,Relay,Connector.Our parts cover such applications as commercial,industrial, and automotives areas.

We are looking forward to setting up business relationship with you and hope to provide you with the best service and solution. Let us make a better world for our industry!



Contact us

Tel: +86-755-8981 8866 Fax: +86-755-8427 6832

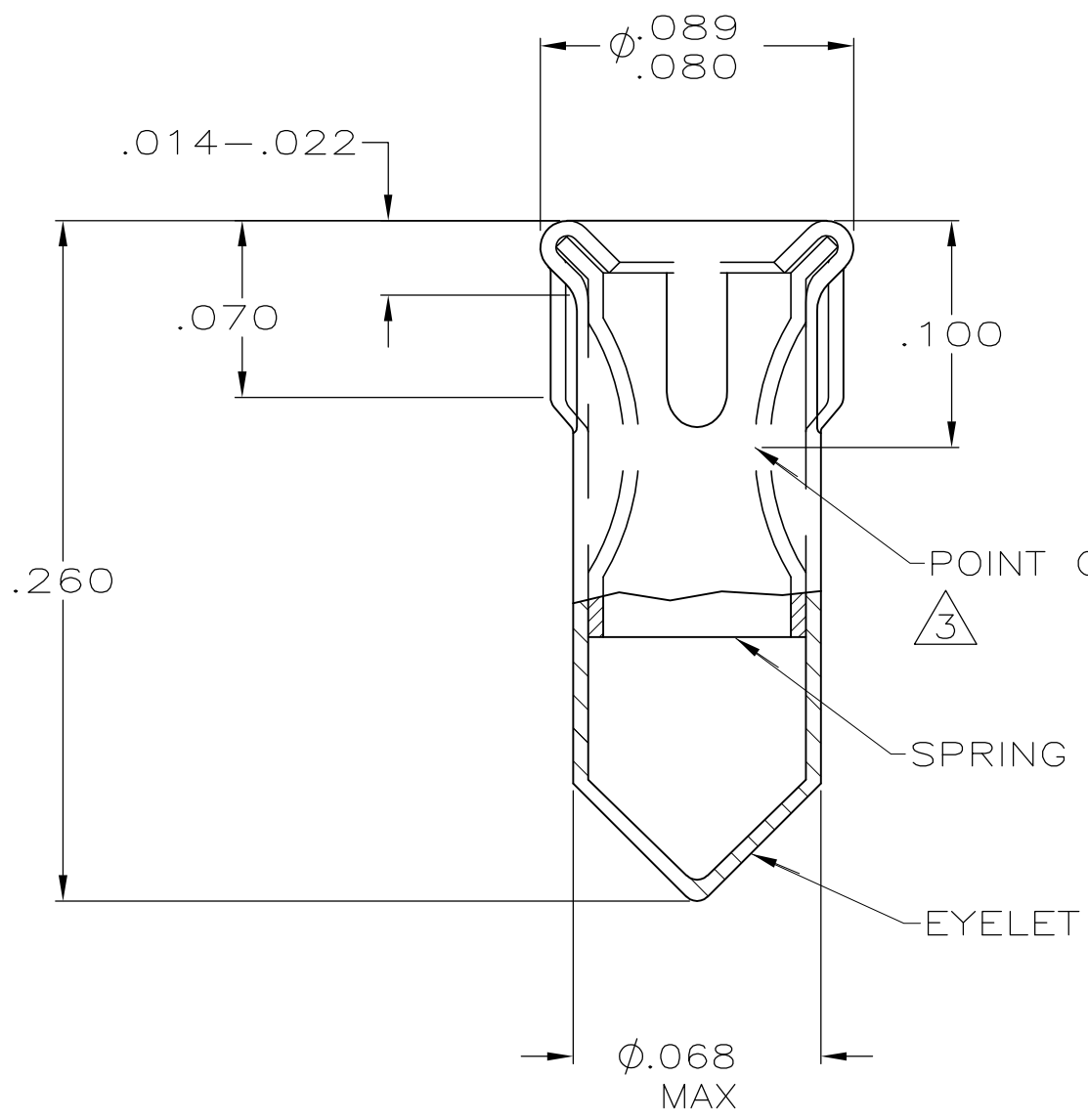
Email & Skype: info@chipsmall.com Web: www.chipsmall.com

Address: A1208, Overseas Decoration Building, #122 Zhenhua RD., Futian, Shenzhen, China

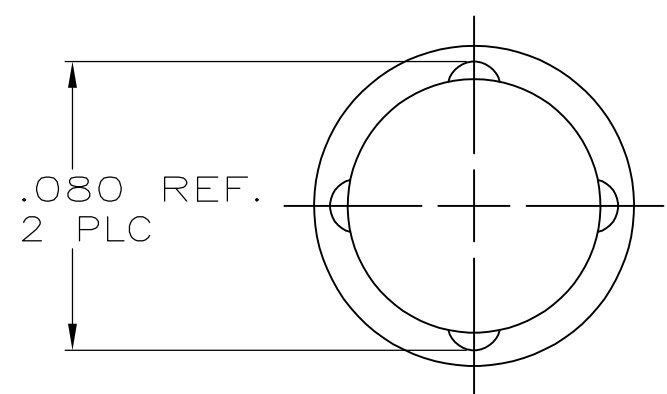


THIS DRAWING IS UNPUBLISHED. RELEASED FOR PUBLICATION
 © COPYRIGHT BY TYCO ELECTRONICS CORPORATION. ALL INTERNATIONAL RIGHTS RESERVED.

LOC	DIST	REVISIONS					
AG	53	P	LTR	DESCRIPTION	DATE	DWN	APVD
			E	REVISED PER ECO-09-026264	25MAR2010	HMR	DB



- MATERIAL: EYELET-COPPER (QQ-C-533)
 SPRING-BERYLLIUM COPPER (QQ-C-576).
- TIN PL. .000150 MIN THK
- NICKEL UNDERPLATE ALL OVER, MATING SURFACE PLATED TO MEET PERFORMANCE REQUIREMENTS OF TYCO PRODUCT SPECIFICATION 108-14008.
- RECOMMENDED HOLE SIZE FOR MACHINE INSERTION .069-.075
- TIN PLATE .000100 MIN THK
- TIN-LEAD PLATE .000150 MIN THK



	.037-.041	.100-.210	3	6	645500-3
	.037-.041		NOTE 5		645500-2
OBSOLETE	.037-.041	.100-.210	NOTE 3	NOTE 2	645500-1
	DIA	LENGTH	SPRING	EYELET	PART NUMBER
	PIN		FINISH		

THIS DRAWING IS A CONTROLLED DOCUMENT.		DWN	24-JUN-99	Tyco Electronics Corporation	
		L.A. McEACHIN		Harrisburg, PA 17105-3608	
DIMENSIONS: INCHES		CHK	19-JUL-99	NAME	
		G.S. RIDGILL		SOCKET, MSS, SERIES 4	
TOLERANCES UNLESS OTHERWISE SPECIFIED:		APVD	19-JUL-99	PRODUCT SPEC	
0 PLC ± -		G.S. RIDGILL		APPLICATION SPEC	
1 PLC ± -				SIZE	CAGE CODE
2 PLC ± -				A3	00779
3 PLC ± .010				DRAWING NO	RESTRICTED TO
4 PLC ± -				C-645500	-
ANGLES ± -				SCALE	SHEET
FINISH				NTS	1 OF 1
MATERIAL -				REV	E
SEE TABLE				CUSTOMER DRAWING	