



Chipsmall Limited consists of a professional team with an average of over 10 year of expertise in the distribution of electronic components. Based in Hongkong, we have already established firm and mutual-benefit business relationships with customers from,Europe,America and south Asia,supplying obsolete and hard-to-find components to meet their specific needs.

With the principle of "Quality Parts,Customers Priority,Honest Operation,and Considerate Service",our business mainly focus on the distribution of electronic components. Line cards we deal with include Microchip,ALPS,ROHM,Xilinx,Pulse,ON,Everlight and Freescale. Main products comprise IC,Modules,Potentiometer,IC Socket,Relay,Connector.Our parts cover such applications as commercial,industrial, and automotives areas.

We are looking forward to setting up business relationship with you and hope to provide you with the best service and solution. Let us make a better world for our industry!



## Contact us

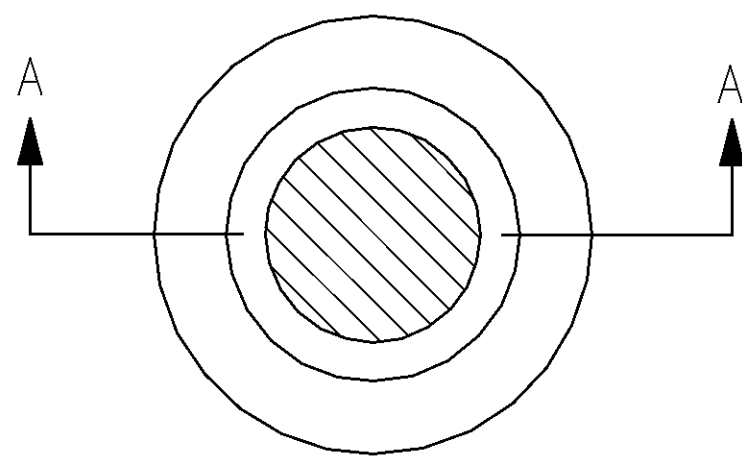
Tel: +86-755-8981 8866 Fax: +86-755-8427 6832

Email & Skype: info@chipsmall.com Web: www.chipsmall.com

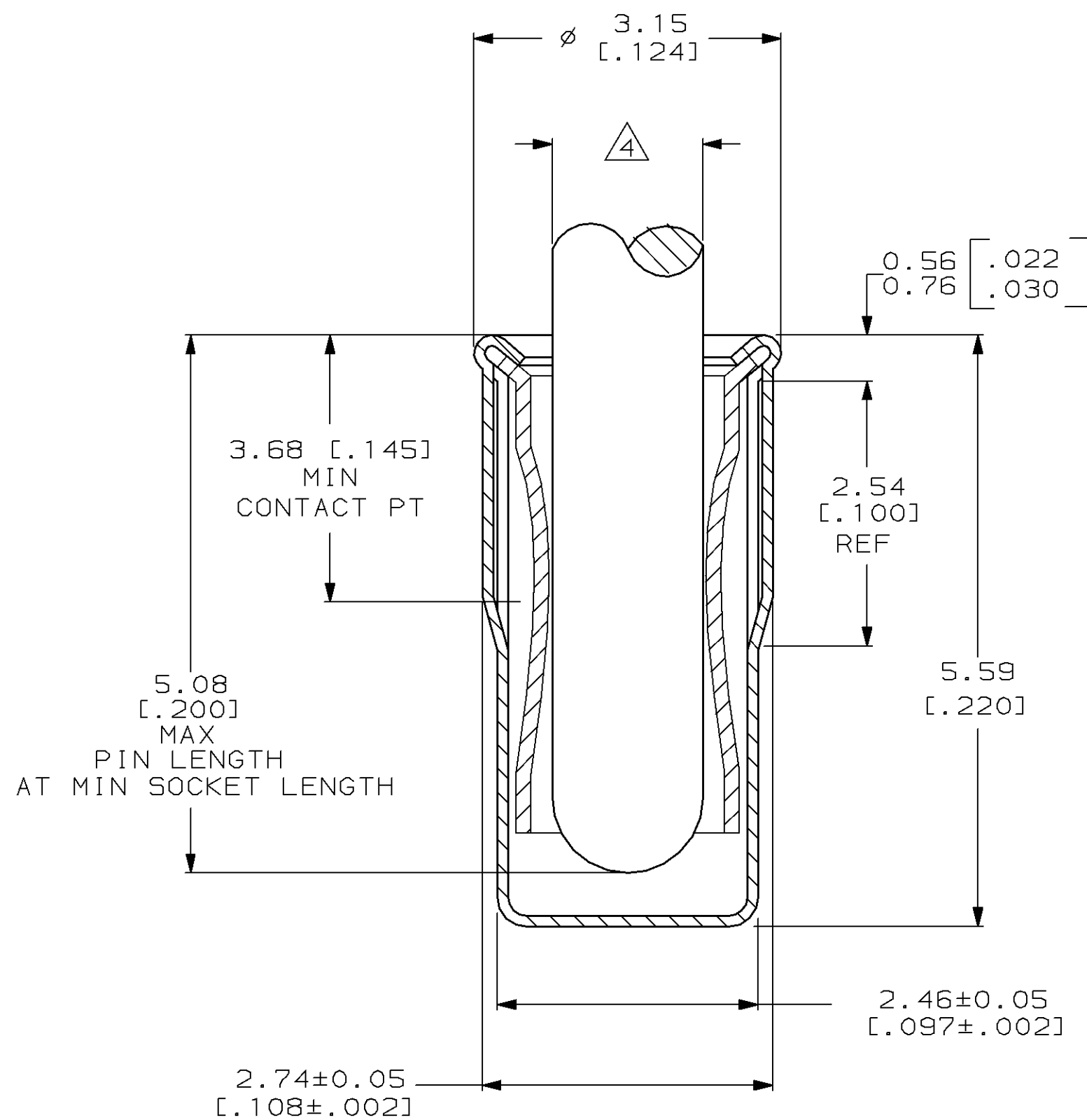
Address: A1208, Overseas Decoration Building, #122 Zhenhua RD., Futian, Shenzhen, China



LOC	DIST	P	F	ZONE	LTR	DESCRIPTION	DATE	APPD
AG	53				C	REVISED PER 0030-0159-96	5-17-95	RT



- 1. PLATING: SPRING; GOLD, 0.00076 [.000030] THK MIN PER MIL-G-45204, TYPE II. EYELET; TIN 0.00254 [.000100] THK MIN PER MIL-T-10727.
- 2. RECOMMENDED HOLE SIZES PLATED OR UNPLATED: MACHINE INSERTION; 2.62±0.08 [.103±.003].
- 3. TO INSURE PROPER SPRING TENSION DO NOT EXCEED A 0.05 [.002] DIFFERENCE IN PIN DIA WHEN CHANGING TO A SMALLER PIN.
- 4. RECOMMENDED PIN DIA 1.47-1.57 [.058-.062].



SECTION A-A

645512-1 AS SHOWN

DO NOT SCALE PRINT. UNLESS SPECIFIED DIMENSIONS IN mm [INCHES]		PART NO	
TOLERANCES ON :	DR K.SALMON 4-18-90	AMP Incorporated Harrisburg, PA 17105-3608	
2 PLC DEC ± -	CHK - R.MILLER 4-18-90		
3 PLC DEC ± 0.20 [.008]	APPD - F.BOYD 4-18-90	NAME ASSEMBLY, SOCKET, SPRING, MINIATURE SERIES 5	
ANGLES ± -	APPD -		
MATERIAL SPRING; BERYLLIUM COPPER QQ-C-533	PRODUCT SPEC -	SIZE C 00779	DRAWING NO 645512
EYELET; COPPER QQ-C-576	APPLICATION SPEC -	SCALE 20:1	SHEET 10F1
FINISH	WEIGHT -		