



Chipsmall Limited consists of a professional team with an average of over 10 year of expertise in the distribution of electronic components. Based in Hongkong, we have already established firm and mutual-benefit business relationships with customers from,Europe,America and south Asia,supplying obsolete and hard-to-find components to meet their specific needs.

With the principle of “Quality Parts,Customers Priority,Honest Operation,and Considerate Service”,our business mainly focus on the distribution of electronic components. Line cards we deal with include Microchip,ALPS,ROHM,Xilinx,Pulse,ON,Everlight and Freescale. Main products comprise IC,Modules,Potentiometer,IC Socket,Relay,Connector.Our parts cover such applications as commercial,industrial, and automotives areas.

We are looking forward to setting up business relationship with you and hope to provide you with the best service and solution. Let us make a better world for our industry!



Contact us

Tel: +86-755-8981 8866 Fax: +86-755-8427 6832

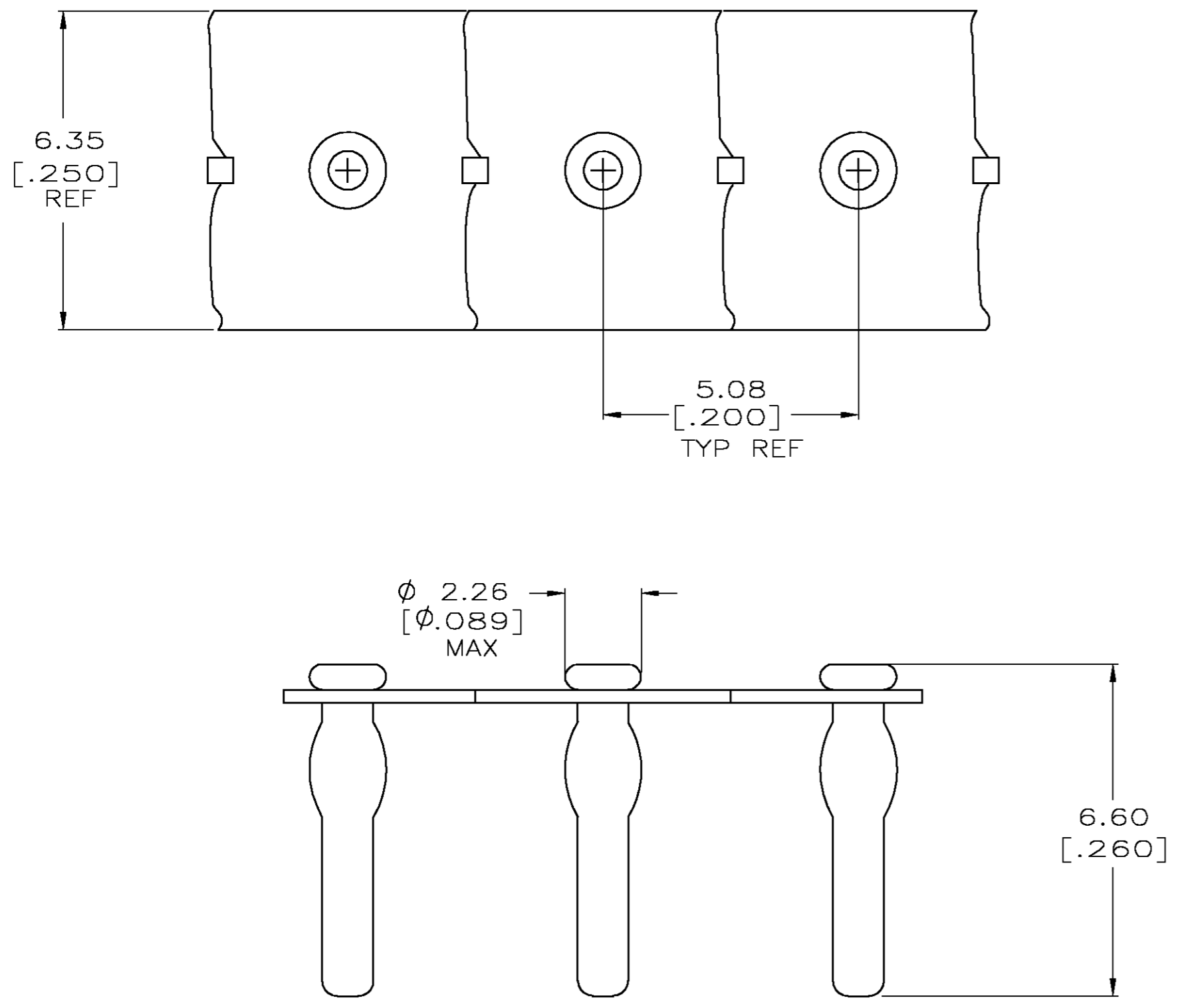
Email & Skype: info@chipsmall.com Web: www.chipsmall.com

Address: A1208, Overseas Decoration Building, #122 Zhenhua RD., Futian, Shenzhen, China

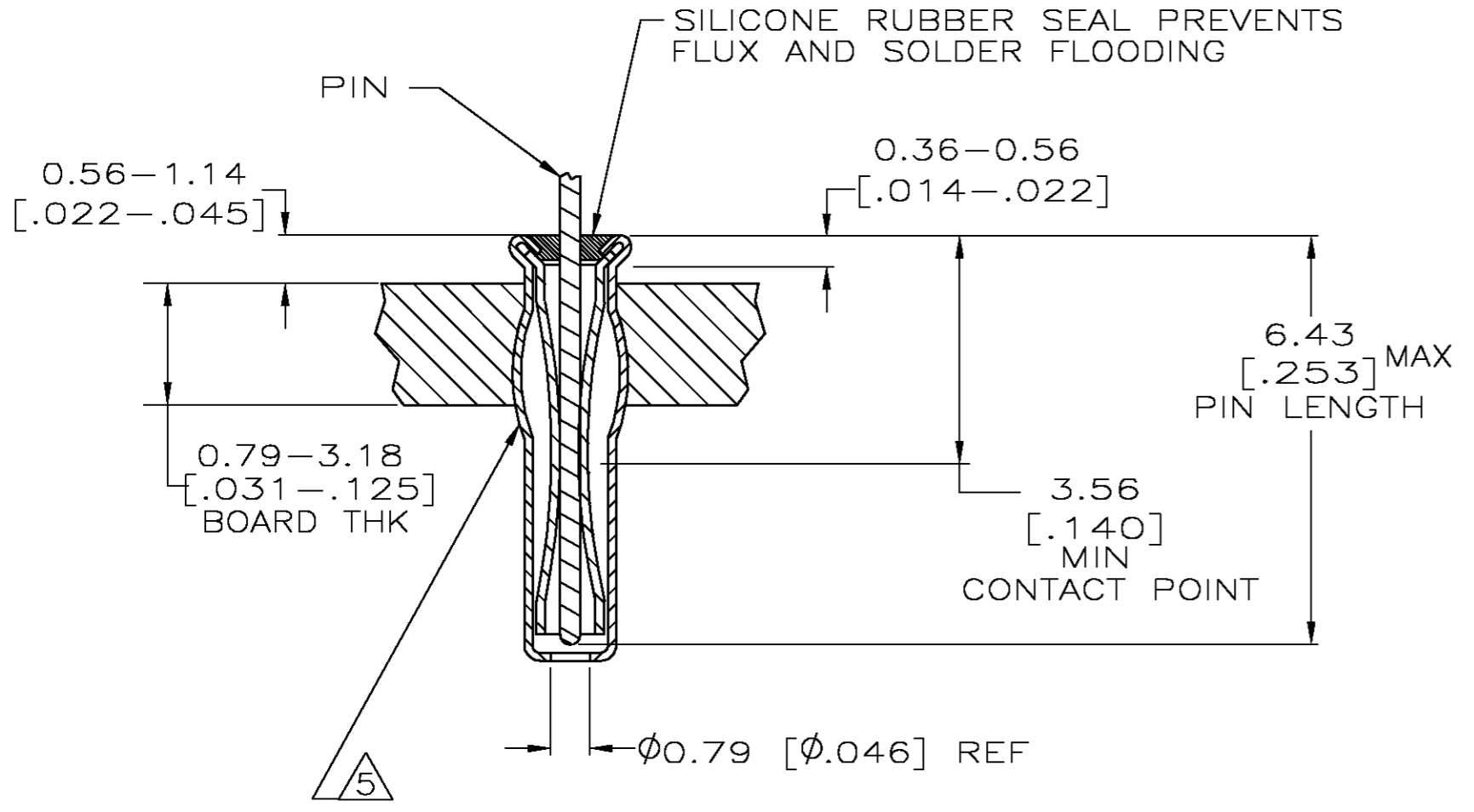


THIS DRAWING IS UNPUBLISHED. RELEASED FOR PUBLICATION
 © COPYRIGHT BY TYCO ELECTRONICS CORPORATION. ALL RIGHTS RESERVED.

LOC		DIST		REVISIONS			
P	LTR	DESCRIPTION	DATE	DWN	APVD		
GP	00						
	C	REVISED PER OS11-0088-03	6-12-03	JB	KK		



- 1 MATERIAL:
 EYELET- COPPER(QQ-C-576)
 SPRING- BERYLLIUM-COPPER (QQ-C-533)
 SEALANT- SILICONE RUBBER
- 2 TIN OR TIN-LEAD PLATE (MIL-T-10727) 0.00381 [.000150] MIN THK
- 3. PACKAGE 10,000 PER REEL.
- 4 TO ENSURE 1/2 OZ MIN RETENTION, DO NOT EXCEED 0.05 [.002] DIFFERENCE IN PIN DIA WHEN CHANGING TO A SMALLER DIA PIN.
- 5 PRODUCT IS OVALIZED FOR RETENTION IN THE P.C. BOARD. THE RECOMMENDED HOLE DIAMETER IS $\phi 1.80$ [$\phi 0.071$] MINIMUM, +0.08 [.003] MAX. PRIOR TO SOLDERING.
- 6 TIN PER ASTM B 545, 0.00254 [.000100] MIN THK



$\phi 0.86-\phi 0.94$ [$\phi 0.034-\phi 0.037$]	6	6	6-645522-1
PIN DIA 4	2	2	645522-1
	SPRING EYELET FINISH		PART NO.

THIS DRAWING IS A CONTROLLED DOCUMENT.		DWN C.WHITT 3-16-92	Tyco Electronics Corporation	
DIMENSIONS: INCHES		CHK R.TALLEY 3-23-92	NAME tyco Electronics MINIATURE SPRING SOCKET ASSEMBLY, SERIES 4	
TOLERANCES UNLESS OTHERWISE SPECIFIED:		APVD S.ROBERTSON 3-23-92	SIZE A2	CAGE CODE 00779
0 PLC ± -		PRODUCT SPEC -	DRAWING NO C=645522	RESTRICTED TO -
1 PLC ± -		APPLICATION SPEC 114-26004	SCALE 10:1	SHEET 1 OF 1
2 PLC ± -		WEIGHT -	REV C	
3 PLC ± 0.20[.008]		CUSTOMER DRAWING		
4 PLC ± -				
ANGLES ± -				
FINISH SEE TABLE				

645522