



Chipsmall Limited consists of a professional team with an average of over 10 year of expertise in the distribution of electronic components. Based in Hongkong, we have already established firm and mutual-benefit business relationships with customers from,Europe,America and south Asia,supplying obsolete and hard-to-find components to meet their specific needs.

With the principle of “Quality Parts,Customers Priority,Honest Operation,and Considerate Service”,our business mainly focus on the distribution of electronic components. Line cards we deal with include Microchip,ALPS,ROHM,Xilinx,Pulse,ON,Everlight and Freescale. Main products comprise IC,Modules,Potentiometer,IC Socket,Relay,Connector.Our parts cover such applications as commercial,industrial, and automotives areas.

We are looking forward to setting up business relationship with you and hope to provide you with the best service and solution. Let us make a better world for our industry!



Contact us

Tel: +86-755-8981 8866 Fax: +86-755-8427 6832

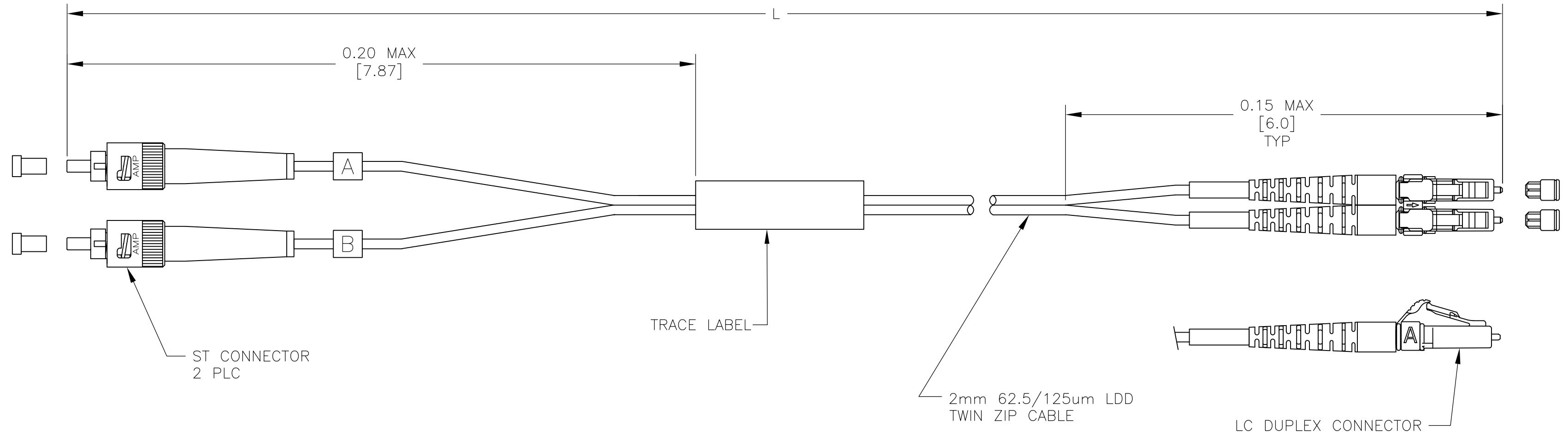
Email & Skype: info@chipsmall.com Web: www.chipsmall.com

Address: A1208, Overseas Decoration Building, #122 Zhenhua RD., Futian, Shenzhen, China



LOC	DIST	REVISIONS					
CE	16	P	LTR	DESCRIPTION	DATE	DWN	APVD
		B		REVISED PER ECR-08-015371	20JUN08	JWD	JD

1. MAXIMUM INSERTION LOSS: 0.5 dB ST
0.2 dB LC
2. PRODUCT AND PROCESSING MUST MEET REQUIREMENTS OF TYCO ELECTRONICS STANDARD 230-702



ST, LEFT CONNECTOR	LC, RIGHT CONNECTOR
A	B
B	A

FIBER ROUTING

40.00±0.40	[1574.8±16.0]	4-6457104-0
35.00±0.35	[1378.0±14.0]	3-6457104-5
30.00±0.30	[1181.1±12.0]	3-6457104-0
25.00±0.30	[984.2±12.0]	2-6457104-5
20.00±0.30	[787.4±12.0]	2-6457104-0
15.00±0.15	[590.6±6.0]	1-6457104-5
10.00±0.15	[393±6]	1-6457104-0
9.00±0.15	[354.3±6.0]	6457104-9
8.00±0.15	[315.0±6.0]	6457104-8
7.00±0.08	[275.6±3.0]	6457104-7
6.00±0.08	[236.2±3.0]	6457104-6
5.00±0.08	[196.9±3.1]	6457104-5
3.00±0.05	[118.1±2.0]	6457104-3
2.00±0.05	[78.7±2.0]	6457104-2
1.00±0.05	[39.4±2.0]	6457104-1
L METERS	[INCHES]	PART NO.

THIS DRAWING IS A CONTROLLED DOCUMENT.

DWN	C.S.VASU	23 SEP 05	Tyco Electronics Corporation Harrisburg, PA 17105-3608
CHK	J.DUNCAN	23 SEP 05	
APVD	J.DUNCAN	23 SEP 05	
DIMENSIONS: METERS [INCHES] TOLERANCES UNLESS OTHERWISE SPECIFIED: 0 PLC ± - 1 PLC ± - 2 PLC ± - 3 PLC ± - 4 PLC ± - ANGLES ± - MATERIAL FINISH -			NAME: CABLE ASSEMBLY, FIBER OPTIC, 62.5/125 TWIN ZIP ST TO LC DUPLEX PRODUCT SPEC - APPLICATION SPEC - WEIGHT - SIZE: A2 CAGE CODE: 00779 DRAWING NO: 6457104 RESTRICTED TO: -
CUSTOMER DRAWING			SCALE: NTS SHEET: 1 of 1 REV: B