



Chipsmall Limited consists of a professional team with an average of over 10 year of expertise in the distribution of electronic components. Based in Hongkong, we have already established firm and mutual-benefit business relationships with customers from,Europe,America and south Asia,supplying obsolete and hard-to-find components to meet their specific needs.

With the principle of "Quality Parts,Customers Priority,Honest Operation,and Considerate Service",our business mainly focus on the distribution of electronic components. Line cards we deal with include Microchip,ALPS,ROHM,Xilinx,Pulse,ON,Everlight and Freescale. Main products comprise IC,Modules,Potentiometer,IC Socket,Relay,Connector.Our parts cover such applications as commercial,industrial, and automotives areas.

We are looking forward to setting up business relationship with you and hope to provide you with the best service and solution. Let us make a better world for our industry!



Contact us

Tel: +86-755-8981 8866 Fax: +86-755-8427 6832

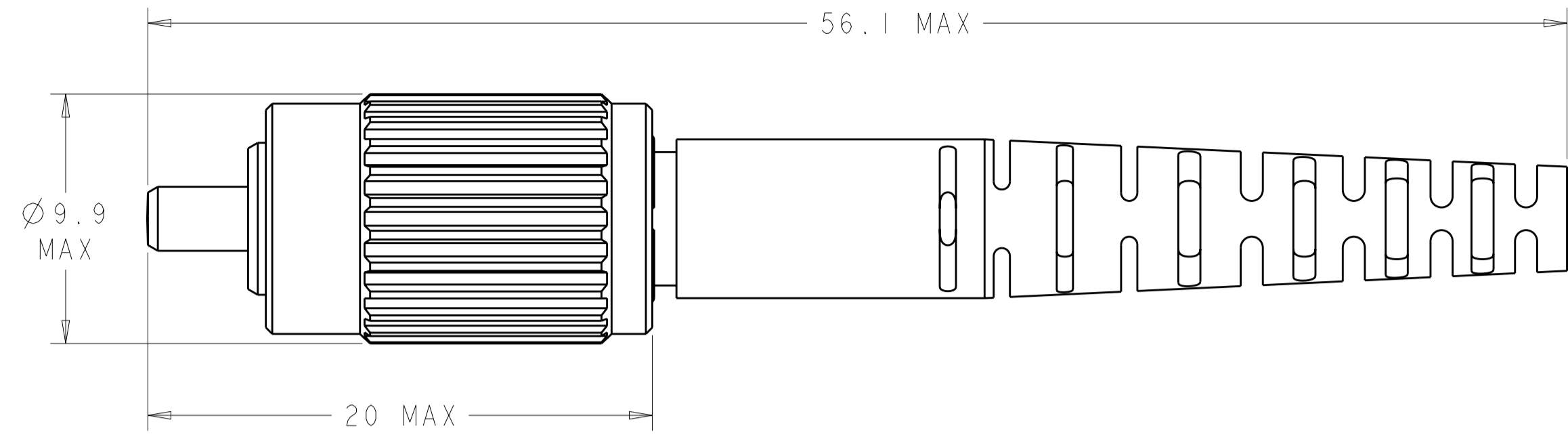
Email & Skype: info@chipsmall.com Web: www.chipsmall.com

Address: A1208, Overseas Decoration Building, #122 Zhenhua RD., Futian, Shenzhen, China



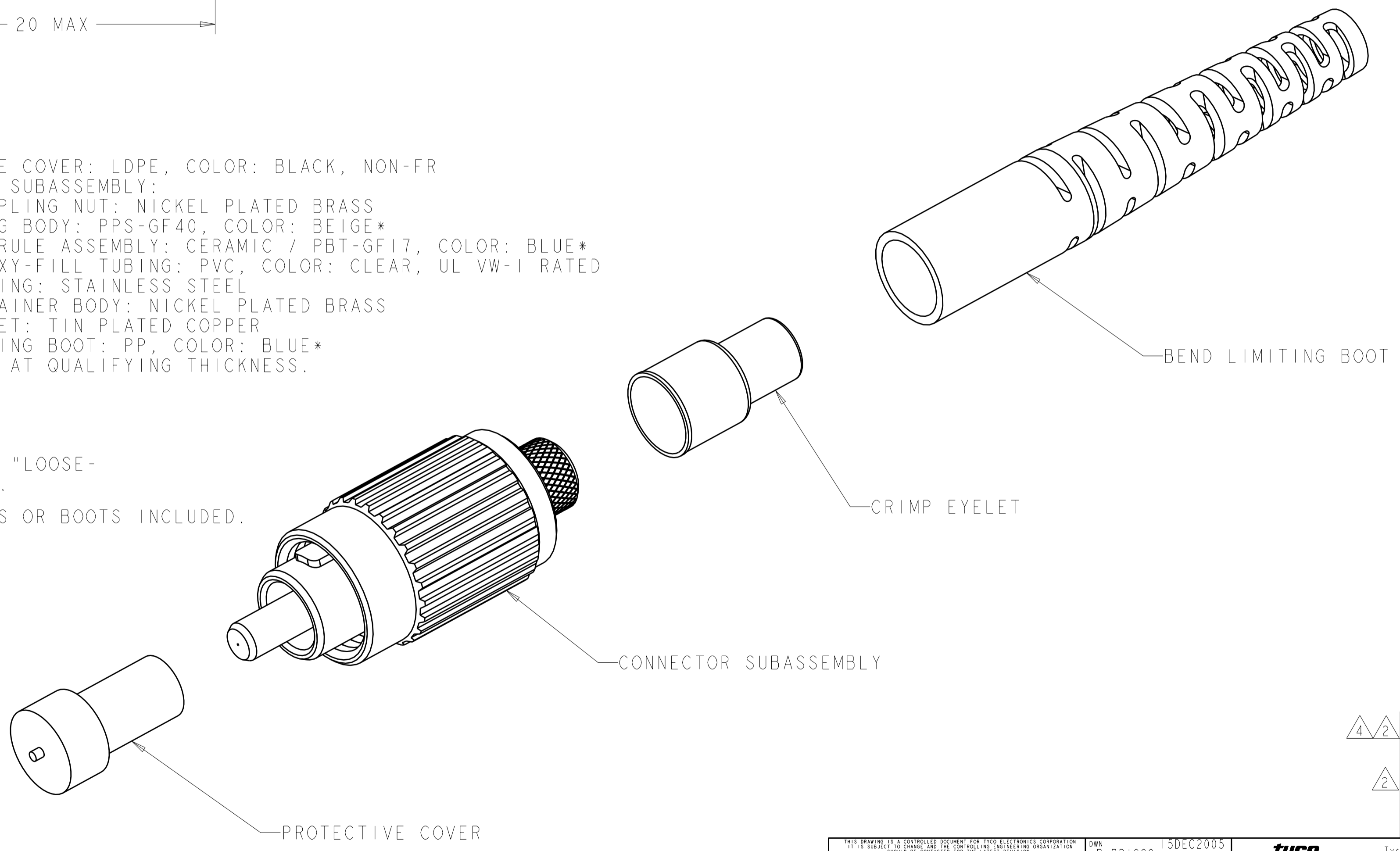
THIS DRAWING IS UNPUBLISHED. RELEASED FOR PUBLICATION 20
 © COPYRIGHT 20 BY TYCO ELECTRONICS CORPORATION. ALL RIGHTS RESERVED.

LOC	DIST	REVISIONS			
P	LTR	DESCRIPTION	DATE	DWN	APVD
CE	00	A	RELEASE TO ACTIVE	08JUN2006	BB SM



1 MATERIAL:
 PROTECTIVE COVER: LDPE, COLOR: BLACK, NON-FR
 CONNECTOR SUBASSEMBLY:
 COUPLING NUT: NICKEL PLATED BRASS
 PLUG BODY: PPS-GF40, COLOR: BEIGE*
 FERRULE ASSEMBLY: CERAMIC / PBT-GF17, COLOR: BLUE*
 EPOXY-FILL TUBING: PVC, COLOR: CLEAR, UL VW-1 RATED
 SPRING: STAINLESS STEEL
 RETAINER BODY: NICKEL PLATED BRASS
 CRIMP EYELET: TIN PLATED COPPER
 BEND LIMITING BOOT: PP, COLOR: BLUE*
 *UL94 V-0 RATED AT QUALIFYING THICKNESS.

- 2 BULK PACKAGE.
- 3. TO BE USED WITH "LOOSE-JACKETED" CABLE.
- 4 NO CRIMP EYELETS OR BOOTS INCLUDED.



4 2	6457216-5
	6457216-4
2	6457216-2
PART NUMBER	

<small>THIS DRAWING IS A CONTROLLED DOCUMENT FOR TYCO ELECTRONICS CORPORATION. IT IS SUBJECT TO CHANGE AND THE CONTROLLING ENGINEERING ORGANIZATION SHOULD BE CONTACTED FOR THE LATEST REVISION.</small>		DWN B. BRIGGS 15DEC2005 CHK S. MILLER 15DEC2005 APVD S. BUCHTER 15DEC2005	tyco Electronics Tyco Electronics Harrisburg, PA 17105-3608
DIMENSIONS: mm 	TOLERANCES UNLESS OTHERWISE SPECIFIED: 0 PLC ± 1 PLC ± 2 PLC ± 3 PLC ± 4 PLC ± ANGLES ± FINISH	PRODUCT SPEC APPLICATION SPEC WEIGHT	NAME CONNECTOR KIT, FC TYPE, SINGLEMODE, METAL RETAINER BODY SIZE CAGE CODE DRAWING NO RESTRICTED TO A2 00779 C-6457216 -
MATERIAL 1 -		CUSTOMER DRAWING	SCALE 5:1 SHEET 1 OF 1 REV A