



Chipsmall Limited consists of a professional team with an average of over 10 year of expertise in the distribution of electronic components. Based in Hongkong, we have already established firm and mutual-benefit business relationships with customers from,Europe,America and south Asia,supplying obsolete and hard-to-find components to meet their specific needs.

With the principle of "Quality Parts,Customers Priority,Honest Operation,and Considerate Service",our business mainly focus on the distribution of electronic components. Line cards we deal with include Microchip,ALPS,ROHM,Xilinx,Pulse,ON,Everlight and Freescale. Main products comprise IC,Modules,Potentiometer,IC Socket,Relay,Connector.Our parts cover such applications as commercial,industrial, and automotives areas.

We are looking forward to setting up business relationship with you and hope to provide you with the best service and solution. Let us make a better world for our industry!



Contact us

Tel: +86-755-8981 8866 Fax: +86-755-8427 6832

Email & Skype: info@chipsmall.com Web: www.chipsmall.com

Address: A1208, Overseas Decoration Building, #122 Zhenhua RD., Futian, Shenzhen, China



4

3

2

1

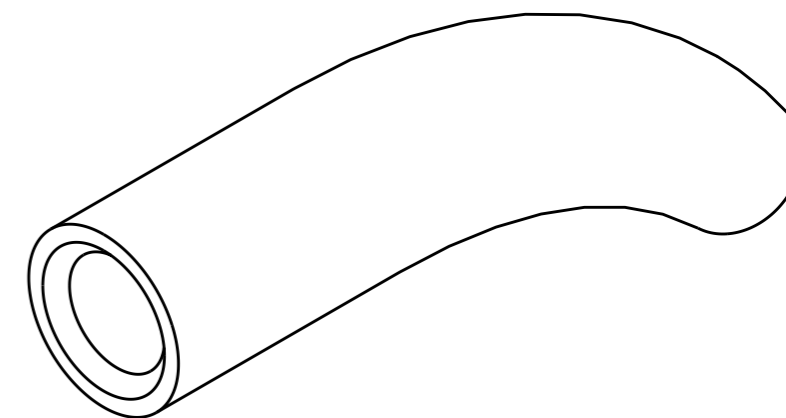
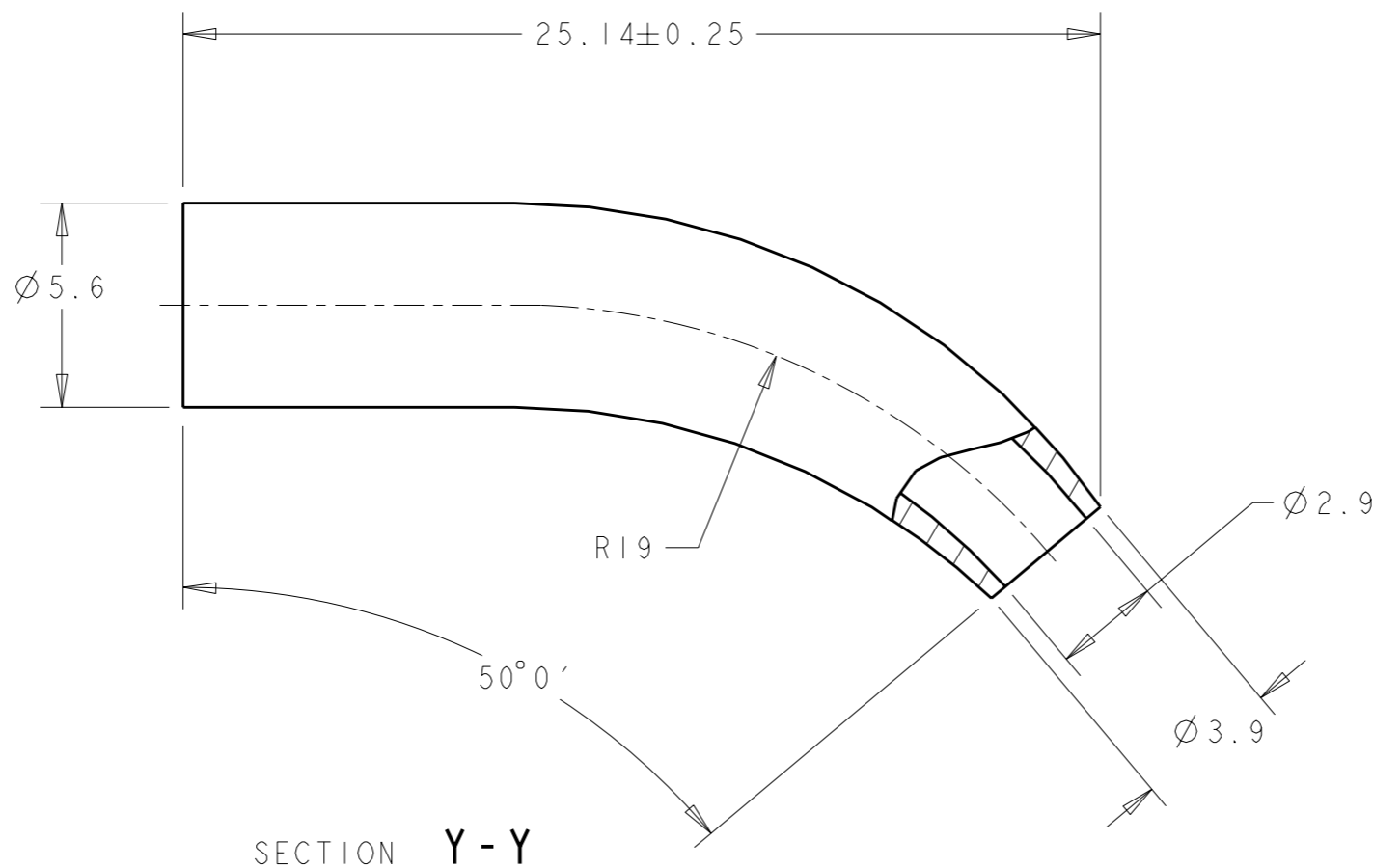
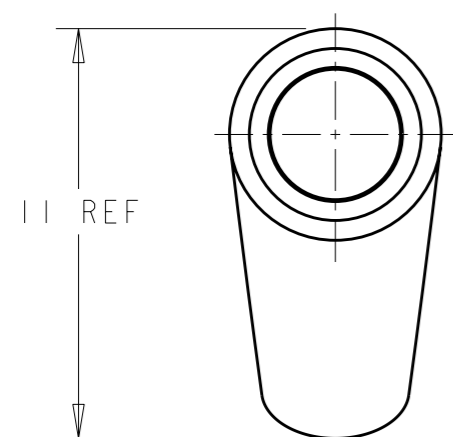
THIS DRAWING IS UNPUBLISHED.

RELEASED FOR PUBLICATION

© COPYRIGHT -

ALL RIGHTS RESERVED.

LOC	DIST	REVISIONS					
		P	LTR	DESCRIPTION	DATE	DWN	APVD
HG	-		D2	REVISED PER ECO-11-005140	16APR2011	RK	HMR



RED	6457543-8
WHITE	6457543-7
YELLOW	6457543-6
GREEN	6457543-5
BLACK	6457543-4
BLUE	6457543-2
BEIGE	6457543-1
COLOR	PART NO

SECTION Y-Y

1 TPE, UL 94 V-0 RATED AT QUALIFYING THICKNESS, SEE TABLE FOR COLORS.

THIS DRAWING IS A CONTROLLED DOCUMENT.		DWN E. HOPKINS 26 JAN 2005	TE Connectivity	
DIMENSIONS: mm		CHK D. ERDMAN 26 JAN 2005		
		APVD S. BUCHTER 26 JAN 2005		
TOLERANCES UNLESS OTHERWISE SPECIFIED:		NAME BOOT, ANGLED, LC 50 DEGREE		
0 PLC ±0.1 1 PLC ±0.1 2 PLC ± 3 PLC ± 4 PLC ± ANGLES ±5°		PRODUCT SPEC -		
MATERIAL 1		APPLICATION SPEC -		
FINISH -		WEIGHT -		
		SIZE A3		CAGE CODE -
		DRAWING NO C-6457543		RESTRICTED TO -
		SCALE 5:1		SHEET 1
		OF 1		REV D2
		CUSTOMER DRAWING		