



Chipsmall Limited consists of a professional team with an average of over 10 year of expertise in the distribution of electronic components. Based in Hongkong, we have already established firm and mutual-benefit business relationships with customers from,Europe,America and south Asia,supplying obsolete and hard-to-find components to meet their specific needs.

With the principle of “Quality Parts,Customers Priority,Honest Operation,and Considerate Service”,our business mainly focus on the distribution of electronic components. Line cards we deal with include Microchip,ALPS,ROHM,Xilinx,Pulse,ON,Everlight and Freescale. Main products comprise IC,Modules,Potentiometer,IC Socket,Relay,Connector.Our parts cover such applications as commercial,industrial, and automotives areas.

We are looking forward to setting up business relationship with you and hope to provide you with the best service and solution. Let us make a better world for our industry!



## Contact us

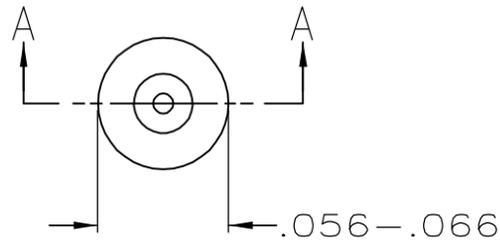
Tel: +86-755-8981 8866 Fax: +86-755-8427 6832

Email & Skype: info@chipsmall.com Web: www.chipsmall.com

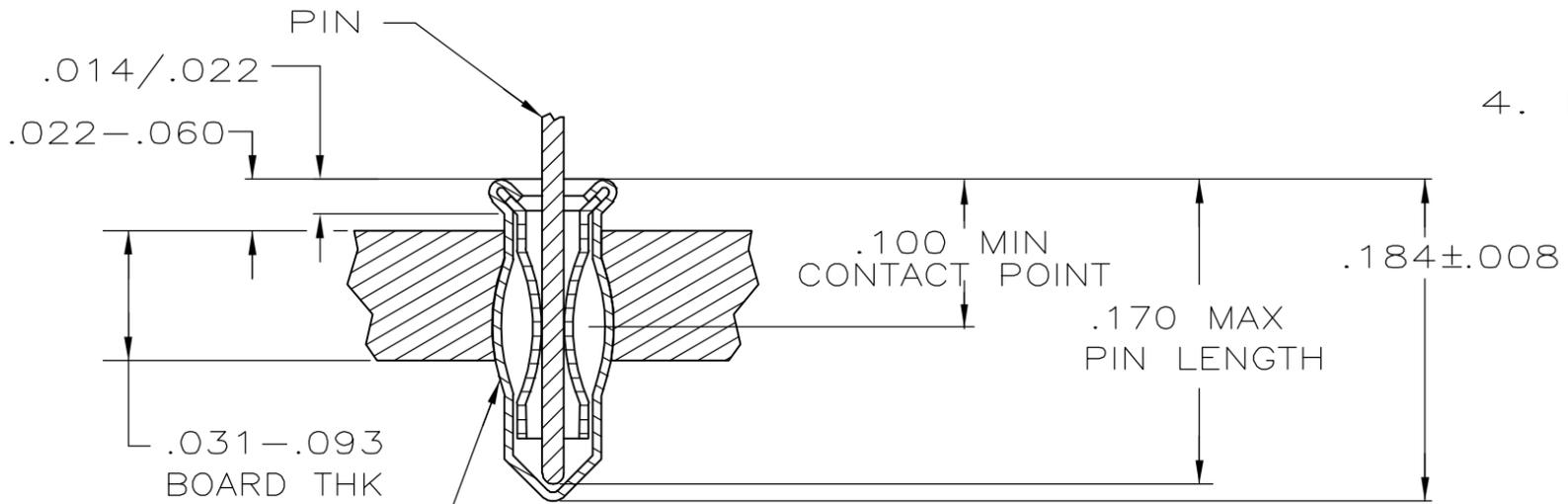
Address: A1208, Overseas Decoration Building, #122 Zhenhua RD., Futian, Shenzhen, China



LOC	DIST	REVISIONS					
AG	53	P	LTR	DESCRIPTION	DATE	DWN	APVD
			F1	REVISED PER ECO-06-018765	13APR07	DH	DB



- MATERIAL:  
 EYELET - COPPER (QQ-C-576)  
 SPRING - BERYLLIUM COPPER (QQ-C-533)
- PLATING:  
 TIN (MIL-T-10727) .000150 MIN THK  
 GOLD (MIL-G-45204) .000030 MIN THK OVER NICKEL (QQ-N-290) .000011 MIN THK ON CONTACT AREA.
- TO INSURE 1/2 OZ MIN RETENTION DO NOT EXCEED .004 DIFFERENCE IN PIN DIA WHEN CHANGING TO A SMALLER DIA PIN
- HOLE SIZE FOR HAND INSERTION 0.043-0.046



INSERTION MACHINE CAPABLE OF OVALIZING SOCKET FOR RETENTION IN PC BOARD WITH .042±.003 DIA HOLE PRIOR TO SOLDERING OPERATION.

SECTION A-A

OBSOLETE	.100/.170	.012/.021	GOLD	TIN	645946-2
			TIN		645946-1
	LENGTH	DIA	SPRING	EYELET	PART NO
	PIN		FINISH		
	NO. 1 SERIES LONG				

THIS DRAWING IS A CONTROLLED DOCUMENT.		DWN	M. BOWERS	12-10-82	<b>AMP</b> AMP Incorporated Harrisburg, PA 17105-3608												
DIMENSIONS: INCHES		CHK	P. MUTZABAUGH	6-10-85													
TOLERANCES UNLESS OTHERWISE SPECIFIED:		APVD	G.D. MILLER	6-10-85													
<table border="1"> <tr><td>0 PLC</td><td>±-</td></tr> <tr><td>1 PLC</td><td>±-</td></tr> <tr><td>2 PLC</td><td>±-</td></tr> <tr><td>3 PLC</td><td>±-</td></tr> <tr><td>4 PLC</td><td>±-</td></tr> <tr><td>ANGLES</td><td>±-</td></tr> </table>		0 PLC	±-	1 PLC	±-	2 PLC	±-	3 PLC	±-	4 PLC	±-	ANGLES	±-	PRODUCT SPEC		NAME	
0 PLC	±-																
1 PLC	±-																
2 PLC	±-																
3 PLC	±-																
4 PLC	±-																
ANGLES	±-																
MATERIAL -		FINISH -		MINIATURE SPRING SOCKET ASSEMBLY													
		WEIGHT	-		RESTRICTED TO												
		CUSTOMER DRAWING		SCALE	NTS												
		SIZE	A3	CAGE CODE	00779												
		DRAWING NO	C- 645946		SHEET												
				1	OF												
				1	REV												
				F1													