



Chipsmall Limited consists of a professional team with an average of over 10 year of expertise in the distribution of electronic components. Based in Hongkong, we have already established firm and mutual-benefit business relationships with customers from,Europe,America and south Asia,supplying obsolete and hard-to-find components to meet their specific needs.

With the principle of “Quality Parts,Customers Priority,Honest Operation,and Considerate Service”,our business mainly focus on the distribution of electronic components. Line cards we deal with include Microchip,ALPS,ROHM,Xilinx,Pulse,ON,Everlight and Freescale. Main products comprise IC,Modules,Potentiometer,IC Socket,Relay,Connector.Our parts cover such applications as commercial,industrial, and automotives areas.

We are looking forward to setting up business relationship with you and hope to provide you with the best service and solution. Let us make a better world for our industry!



Contact us

Tel: +86-755-8981 8866 Fax: +86-755-8427 6832

Email & Skype: info@chipsmall.com Web: www.chipsmall.com

Address: A1208, Overseas Decoration Building, #122 Zhenhua RD., Futian, Shenzhen, China

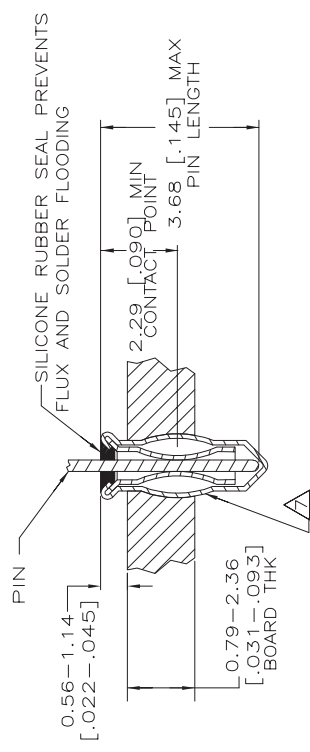
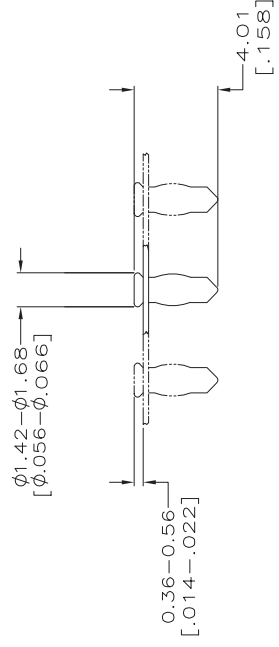
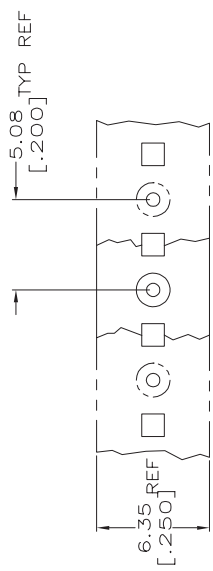


THIS DRAWING IS UNPUBLISHED.
 © COPYRIGHT BY TYCO ELECTRONICS CORPORATION. ALL RIGHTS RESERVED.

RELEASED FOR PUBLICATION
 BY TYCO ELECTRONICS CORPORATION.

LOC	DIST	REV	DATE	UN	APP
AG 00	F LTR	G1	120CT0006	BC	JH
REVISIONS		DESCRIPTION			
AG 00		REV PER ECO-06-013364			

- 1 MATERIAL:
 EYELET - COPPER (QQ-C-576)
 SPRING - BERYLLIUM COPPER (QQ-C-533)
 SEALANT - SILICONE RUBBER
- 2 TIN PLATE (MIL-T-10727)0.00381 [.000150] MIN THK.
- 3 TIN PLATE(MIL-T-10727)0.00254 [.000100] MIN THK.
- 4 GOLD PL(MIL-G-45204)0.00076 [.000030] MIN THK
 ON CONTACT AREA.
- 5 PACKAGED 50,000 PER REEL
- 6 TO INSURE 1/2 OZ MIN RETENTION DO NOT
 EXCEED 0.10 [.004] DIFFERENCE IN PIN DIA WHEN
 CHANGING TO A SMALLER DIA PIN
- 7 PRODUCT IS OVALIZED FOR RETENTION IN THE
 P.C. BOARD. THE RECOMMENDED HOLE DIAMETER IS
 $\phi 1.07$ [$\phi .042$] MINIMUM, +0.08 [.003] MAX.
 PRIOR TO SOLDERING.
- 8 TIN-LEAD PLATE 0.00381 [.000150] MIN THK.
- 9 PACKAGED 10,000 PER REEL



LENGTH	DIA	PIN	FINISH	PART NO
2.29-3.68 [.090-.145]	$\phi 0.38-\phi 0.53$ [$\phi 0.15-\phi 0.21$]	GOLD	TIN	1-645947-7
2.29-3.68 [.090-.145]	$\phi 0.38-\phi 0.53$ [$\phi 0.15-\phi 0.21$]	GOLD	TIN	1-645947-6
2.29-3.68 [.090-.145]	$\phi 0.30-\phi 0.46$ [$\phi 0.12-\phi 0.18$]	GOLD	TIN	1-645947-5
2.29-3.68 [.090-.145]	$\phi 0.30-\phi 0.46$ [$\phi 0.12-\phi 0.18$]	TIN	TIN	1-645947-4
2.29-3.68 [.090-.145]	$\phi 0.38-\phi 0.53$ [$\phi 0.15-\phi 0.21$]	GOLD	TIN	1-645947-2
2.29-3.68 [.090-.145]	$\phi 0.38-\phi 0.53$ [$\phi 0.15-\phi 0.21$]	TIN	TIN	1-645947-1
2.29-3.68 [.090-.145]	$\phi 0.38-\phi 0.53$ [$\phi 0.15-\phi 0.21$]	GOLD	TIN	645947-2
2.29-3.68 [.090-.145]	$\phi 0.38-\phi 0.53$ [$\phi 0.15-\phi 0.21$]	TIN	TIN	645947-1
		SPRING	EYELET	

THIS DRAWING IS A CONTROLLED DOCUMENT.

CHG: M. BOYMERS 12-20-82
 CHK: M. MUTZBAUGH 6-10-85
 AUTH: G. MILLER 6-10-85

TYCO ELECTRONICS
 Tyco Electronics Corporation
 Harrisburg, PA 17105-3608

MINIATURE SPRING SOCKET ASSY
 SERIES 1 SHORT
 WITH SEALANT

RESTRICTED TO

SIZE: 114-26004
 WEIGHT: --
 CASE CODE: A2, 00779, 645947

SCALE: 1 of 1

CUSTOMER DRAWING