



Chipsmall Limited consists of a professional team with an average of over 10 year of expertise in the distribution of electronic components. Based in Hongkong, we have already established firm and mutual-benefit business relationships with customers from,Europe,America and south Asia,supplying obsolete and hard-to-find components to meet their specific needs.

With the principle of “Quality Parts,Customers Priority,Honest Operation,and Considerate Service”,our business mainly focus on the distribution of electronic components. Line cards we deal with include Microchip,ALPS,ROHM,Xilinx,Pulse,ON,Everlight and Freescale. Main products comprise IC,Modules,Potentiometer,IC Socket,Relay,Connector.Our parts cover such applications as commercial,industrial, and automotives areas.

We are looking forward to setting up business relationship with you and hope to provide you with the best service and solution. Let us make a better world for our industry!



## Contact us

Tel: +86-755-8981 8866 Fax: +86-755-8427 6832

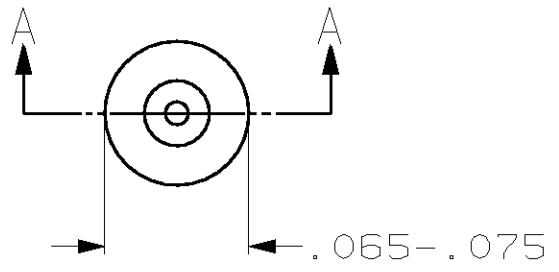
Email & Skype: info@chipsmall.com Web: www.chipsmall.com

Address: A1208, Overseas Decoration Building, #122 Zhenhua RD., Futian, Shenzhen, China

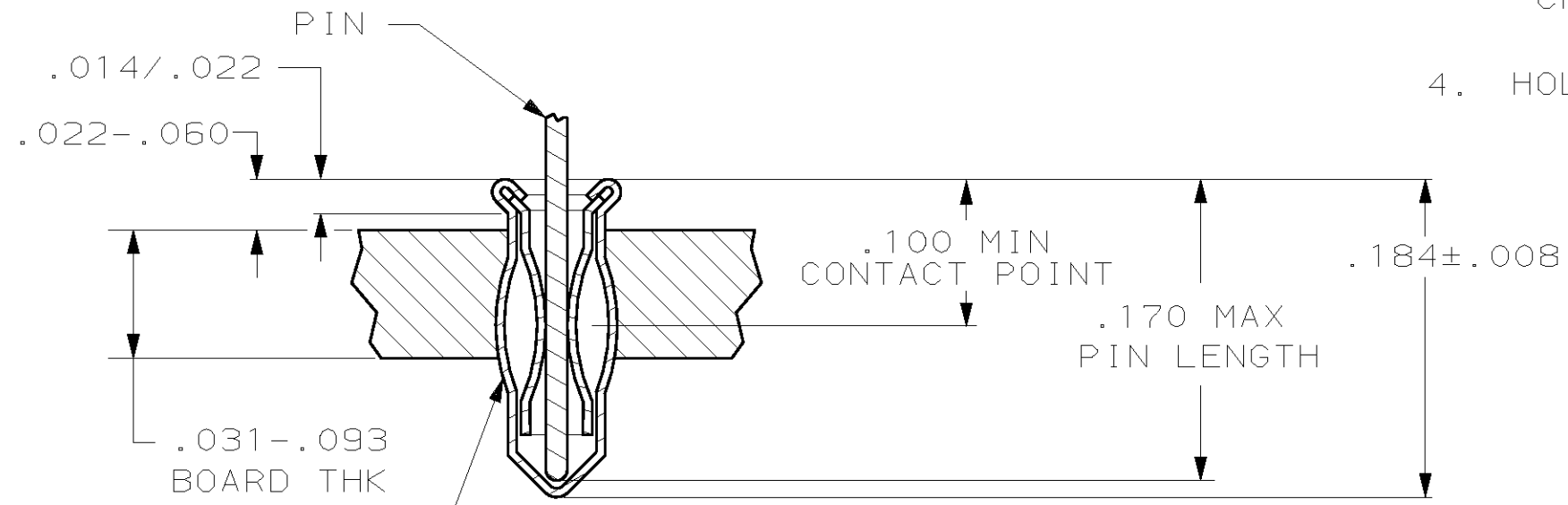


THIS DRAWING IS UNPUBLISHED. RELEASED FOR PUBLICATION, 19 .  
 © COPYRIGHT 19 BY AMP INCORPORATED. ALL RIGHTS RESERVED.

LOC	DIST	REVISIONS			
P	LTR	DESCRIPTION	DATE	DWN	APVD
AG	53	G	REVISED PER 0650-0005-99	3-25-99	LM CF



- MATERIAL:  
EYELET - COPPER (QQ-C-576)  
SPRING - BERYLLIUM COPPER (QQ-C-533)
- PLATING:  
TIN (MIL-T-10727) .000150 MIN THK  
GOLD (MIL-G-45204) .000030 MIN THK OVER NICKEL (QQ-N-290) .000011 MIN THK ON CONTACT AREA.
- TO INSURE 1/2 OZ MIN RETENTION DO NOT EXCEED .004 DIFFERENCE IN PIN DIA WHEN CHANGING TO A SMALLER DIA PIN
- HOLE SIZE FOR HAND INSERTION .053-.055



INSERTION MACHINE CAPABLE OF OVALIZING SOCKET FOR RETENTION IN PC BOARD WITH .052±.003 DIA HOLE PRIOR TO SOLDERING OPERATION

SECTION A-A

.100/.170	.014/.026	GOLD	T1N LEAD	645952-3
		GOLD	TIN	645952-2
		TIN	TIN	645952-1
LENGTH	DIA	SPRING	EYELET	PART NO
PIN		FINISH		
NO. 2 SERIES LONG				

DIMENSIONS: INCHES		TOLERANCES UNLESS OTHERWISE SPECIFIED:		APPROVALS		AMP		NAME		
		0 PLC	±-	DWN	M. BOWERS	12-10-82	AMP Incorporated	MINIATURE SPRING SOCKET ASSEMBLY		
		1 PLC	±-	CHK	P. MUTZABAUGH	6-10-85				Harrisburg, PA 17105-3608
		2 PLC	±-	APVD	G.D. MILLER	6-10-85	SIZE	CAGE CODE	DRAWING NO	
		3 PLC	±-	PRODUCT SPEC			A3	00779	C- 645952	-
MATERIAL -		FINISH -		APPLICATION SPEC -		WEIGHT -		CUSTOMER DRAWING		
						SCALE NTS		SHEET 1 OF 1		
								REV G		