



Chipsmall Limited consists of a professional team with an average of over 10 year of expertise in the distribution of electronic components. Based in Hongkong, we have already established firm and mutual-benefit business relationships with customers from,Europe,America and south Asia,supplying obsolete and hard-to-find components to meet their specific needs.

With the principle of “Quality Parts,Customers Priority,Honest Operation,and Considerate Service”,our business mainly focus on the distribution of electronic components. Line cards we deal with include Microchip,ALPS,ROHM,Xilinx,Pulse,ON,Everlight and Freescale. Main products comprise IC,Modules,Potentiometer,IC Socket,Relay,Connector.Our parts cover such applications as commercial,industrial, and automotives areas.

We are looking forward to setting up business relationship with you and hope to provide you with the best service and solution. Let us make a better world for our industry!



Contact us

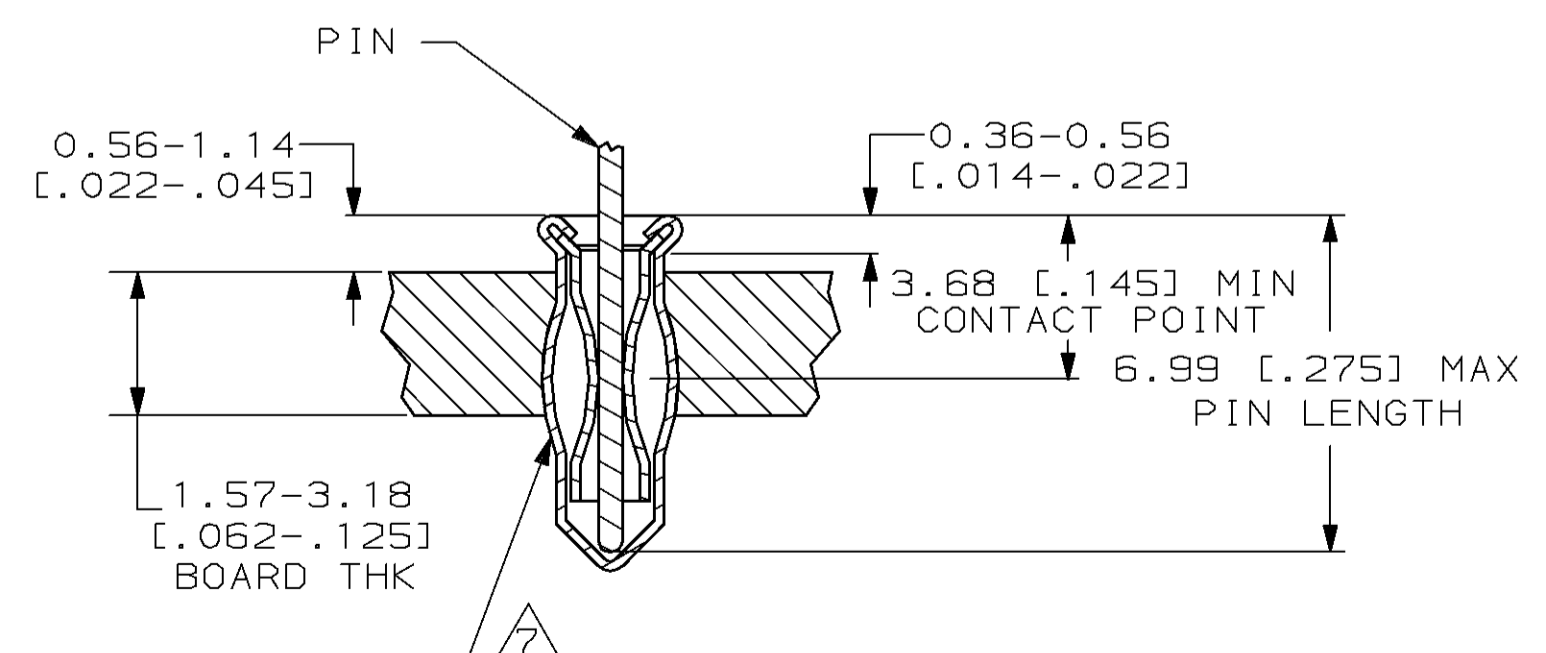
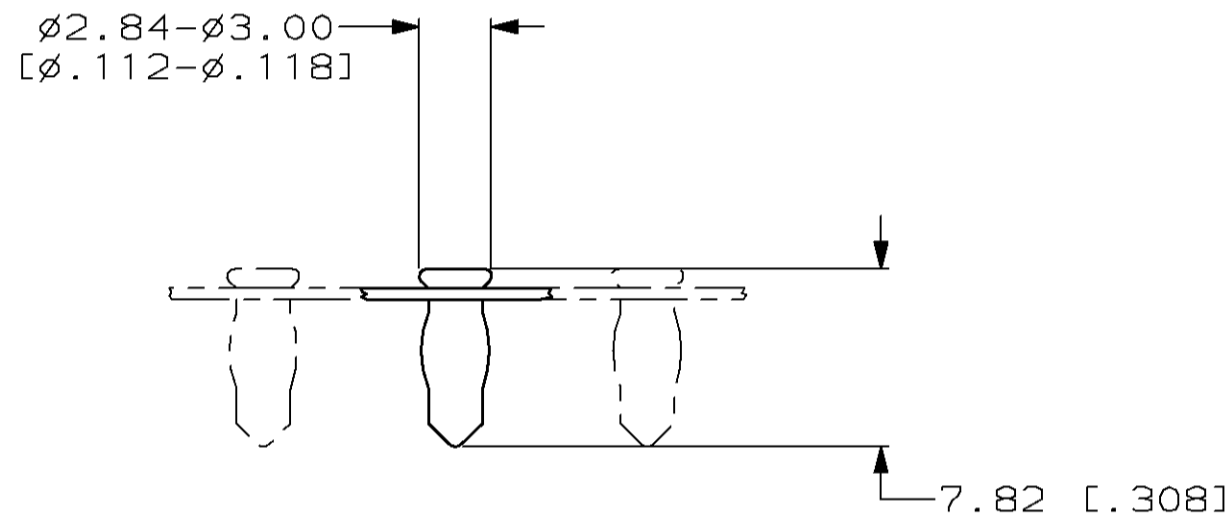
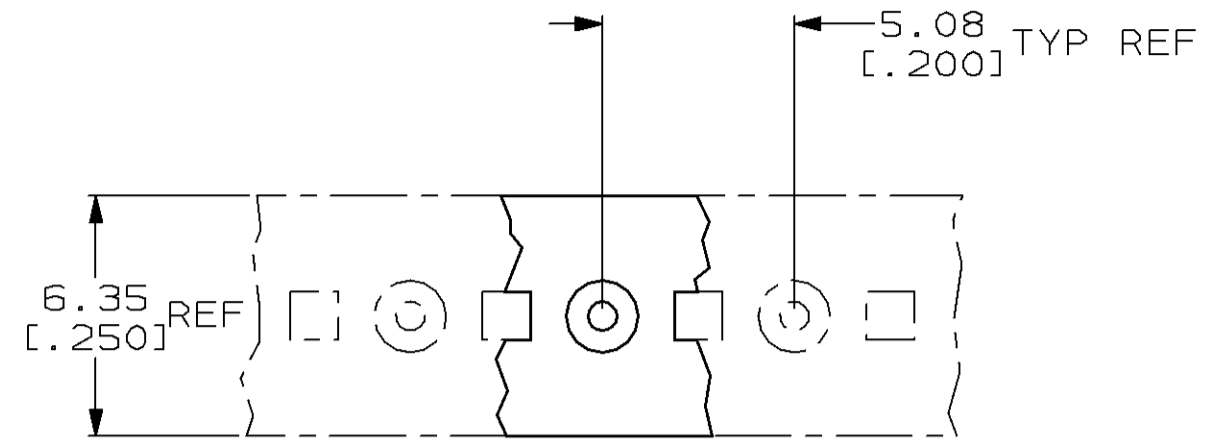
Tel: +86-755-8981 8866 Fax: +86-755-8427 6832

Email & Skype: info@chipsmall.com Web: www.chipsmall.com

Address: A1208, Overseas Decoration Building, #122 Zhenhua RD., Futian, Shenzhen, China



LOC	DIST	P	F	ZONE	LTR	DESCRIPTION	DATE	APPD
AG	53				E	REDWN & REV PER 0160-3551-93	5-5-94	WS



- 1 MATERIAL:
EYELET - COPPER (QQ-C-576)
SPRING - BERYLLIUM COPPER (QQ-C-533)
- 2 TIN PLATE (MIL-T-10727) 0.00381 [.000150] MIN THK.
- 3 TIN PLATE (MIL-T-10727) 0.00254 [.000100] MIN THK.
- 4 GOLD PL (MIL-G-45204) 0.00076 [.000030] MIN THK ON CONTACT AREA.
- 5 PACKAGED 25,000 PER REEL
- 6 TO INSURE 1/2 OZ MIN RETENTION DO NOT EXCEED 0.10 [.004] DIFFERENCE IN PIN DIA WHEN CHANGING TO A SMALLER DIA PIN
- 7 PRODUCT IS OVALIZED FOR RETENTION IN THE P.C. BOARD. THE RECOMMENDED HOLE DIAMETER IS ∅2.59 [∅.102] MINIMUM, +0.08 [.003] MAX. PRIOR TO SOLDERING.
- 8 PACKAGED 10,000 PER REEL

3.76-6.99 [.145-.275]	∅1.07-∅1.24 [∅.042-∅.049]	GOLD 4	TIN 2	8 1-645979-2
3.76-6.99 [.145-.275]	∅1.07-∅1.24 [∅.042-∅.049]	TIN 3	TIN 2	5 645979-1
LENGTH		FINISH		PART NO

DO NOT SCALE PRINT. UNLESS SPECIFIED DIMENSIONS IN mm [INCHES] TOLERANCES ON: 2 PLC DEC ± - 3 PLC DEC ± 0.20 [.008] ANGLES ± -	DR 1-24-85 D.HOLLINGSWORTH	AMP Incorporated Harrisburg, PA 17105-3608							
	CHK 1-15-86 P.MUTZABAUGH								
	APPD 1-22-86 G.D.MILLER	NAME							
	APPD 1-22-86 ER.RALSTON	MINIATURE SPRING SOCKET ASSY SERIES 5 WITHOUT SEALANT							
MATERIAL	1	PRODUCT SPEC	-						
FINISH	SEE TABLE	APPLICATION SPEC	114-26004	SIZE	C	CAGE CODE	00779	DRAWING NO	C=645979
		WEIGHT	-	SCALE	NTS	SHEET	1 OF 1	CUSTOMER DRAWING	

THIS DRAWING IS A CONTROLLED DOCUMENT FOR AMP INCORPORATED. IT IS SUBJECT TO CHANGE AND THE CONTROLLING ENGINEERING ORGANIZATION SHOULD BE CONTACTED FOR THE LATEST REVISION.