



Chipsmall Limited consists of a professional team with an average of over 10 year of expertise in the distribution of electronic components. Based in Hongkong, we have already established firm and mutual-benefit business relationships with customers from,Europe,America and south Asia,supplying obsolete and hard-to-find components to meet their specific needs.

With the principle of “Quality Parts,Customers Priority,Honest Operation,and Considerate Service”,our business mainly focus on the distribution of electronic components. Line cards we deal with include Microchip,ALPS,ROHM,Xilinx,Pulse,ON,Everlight and Freescale. Main products comprise IC,Modules,Potentiometer,IC Socket,Relay,Connector.Our parts cover such applications as commercial,industrial, and automotives areas.

We are looking forward to setting up business relationship with you and hope to provide you with the best service and solution. Let us make a better world for our industry!



## Contact us

Tel: +86-755-8981 8866 Fax: +86-755-8427 6832

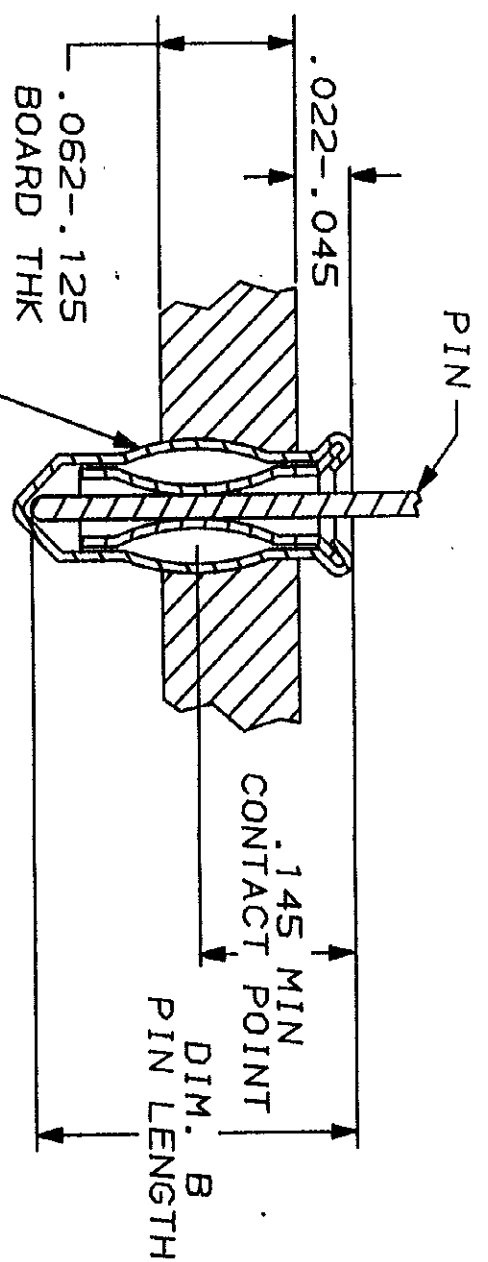
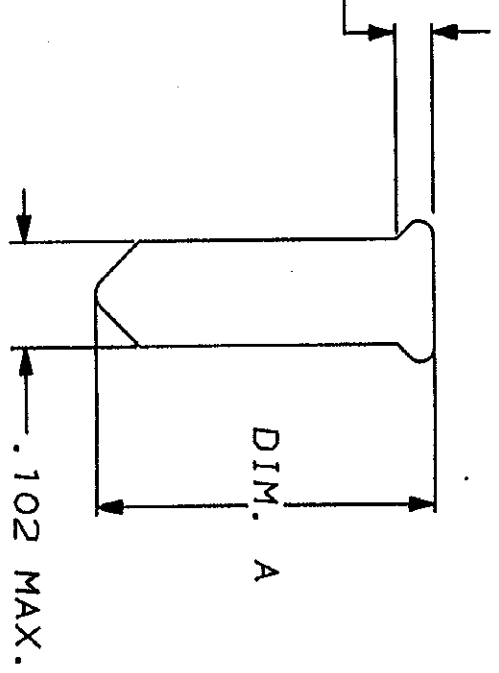
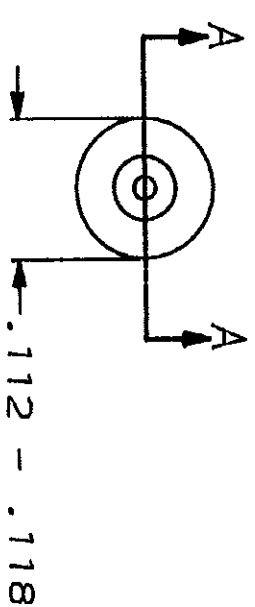
Email & Skype: info@chipsmall.com Web: www.chipsmall.com

Address: A1208, Overseas Decoration Building, #122 Zhenhua RD., Futian, Shenzhen, China



THIS DRAWING IS UNPUBLISHED. RELEASED FOR PUBLICATION '19

© COPYRIGHT 19 BY AMP INCORPORATED, HARRISBURG, PA. ALL INTERNATIONAL RIGHTS RESERVED. AMP PRODUCTS MAY BE COVERED BY U.S. AND FOREIGN PATENTS AND/OR PATENTS PENDING.



MSS INSERTION MACHINE CAPABLE OF OVALIZING SOCKET FOR RETENTION IN PC BOARD WITH .104±.003 DIA HOLE PRIOR TO SOLDERING OPERATION

SECTION A-A

AMP 1470-15 REV 2-81

1 Loc AG DIST 53

REVISONS		DATE	APPROVED
P	F ZONE	LTR	DESCRIPTION
✓		A	REV PER 6-1169 & REL -2 PER 84-0154
✓		B	REV PER 6-1841
✓		C	REV PER CY-0187
✓		C1	REV /ECN AG-5183
✓		D	RLSD -3 PER TTI 88-64
✓		E	REV /AG-1579

1. MATERIAL:  
EYELET - COPPER (QQ-C-576)  
SPRING - BERYLLIUM COPPER (QQ-C-533)
2. TIN PLATE (MIL-T-10727) .000150 MIN THK
3. GOLD PL (MIL-G-45204) .000030 MIN THK OVER NICKEL (AG-N-24D) .000111 MIN THK ON CONTACT AREA.
4. TIN PLATE (MIL-T-10727) .000100 MIN THK
5. TO INSURE 1/2 OZ MIN RETENTION DO NOT EXCEED .004 DIFFERENCE IN PIN DIA WHEN CHANGING TO A SMALLER DIA PIN
6. HOLE SIZE FOR HAND INSERTION .105±.002

.375 MAX	.408±.008	.042/.049	GOLD $\Delta$	TIN $\Delta$	645980-3
.275 MAX	.308±.008		GOLD $\Delta$	TIN $\Delta$	645980-2
DIM. B	DIM. A	DIA $\Delta$	SPRING	EYELET	645980-1
PIN			FINISH		
NO. 5 SERIES			AMP		
BULLET NOSE			AMP INCORPORATED Harrisburg, Pa.		

DRD. HOLLINGSWORTH	SIZE	FSCH NO	DRAWING NO
CHK	B	00779	645980
APPD	SCALE	NTS	REV

CUSTOMER DRAWING