



Chipsmall Limited consists of a professional team with an average of over 10 year of expertise in the distribution of electronic components. Based in Hongkong, we have already established firm and mutual-benefit business relationships with customers from,Europe,America and south Asia,supplying obsolete and hard-to-find components to meet their specific needs.

With the principle of “Quality Parts,Customers Priority,Honest Operation,and Considerate Service”,our business mainly focus on the distribution of electronic components. Line cards we deal with include Microchip,ALPS,ROHM,Xilinx,Pulse,ON,Everlight and Freescale. Main products comprise IC,Modules,Potentiometer,IC Socket,Relay,Connector.Our parts cover such applications as commercial,industrial, and automotives areas.

We are looking forward to setting up business relationship with you and hope to provide you with the best service and solution. Let us make a better world for our industry!



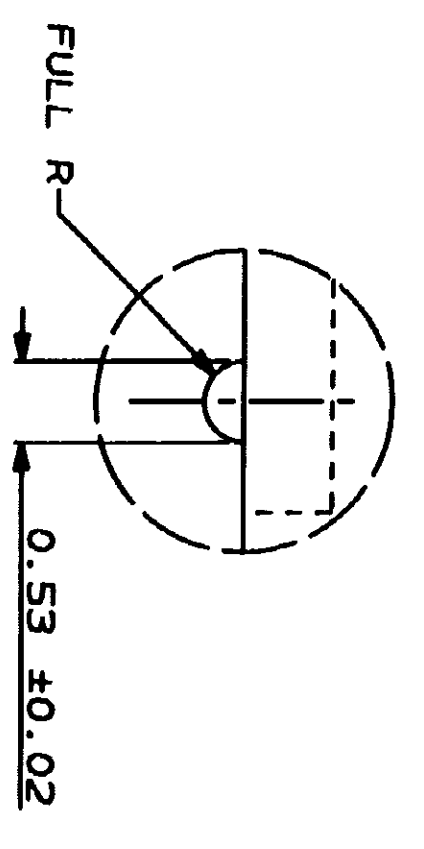
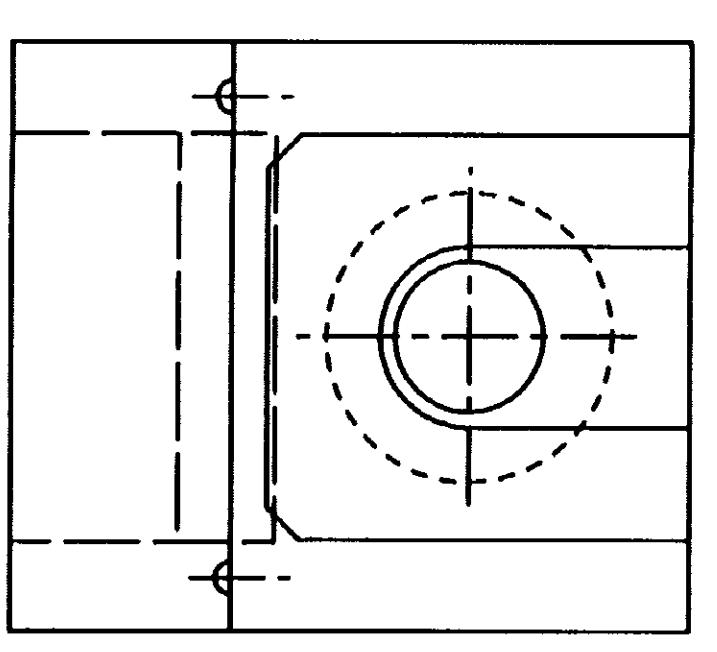
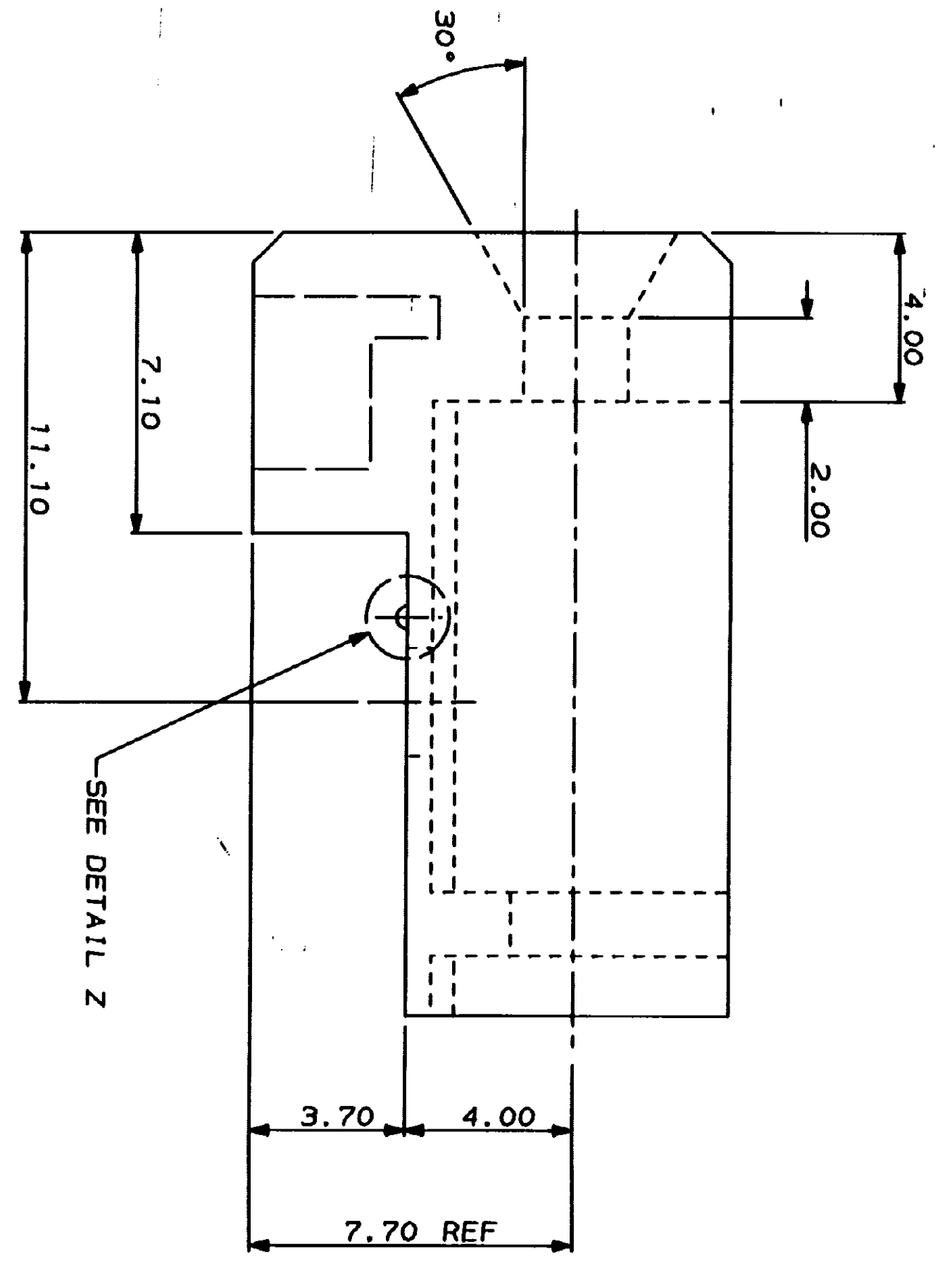
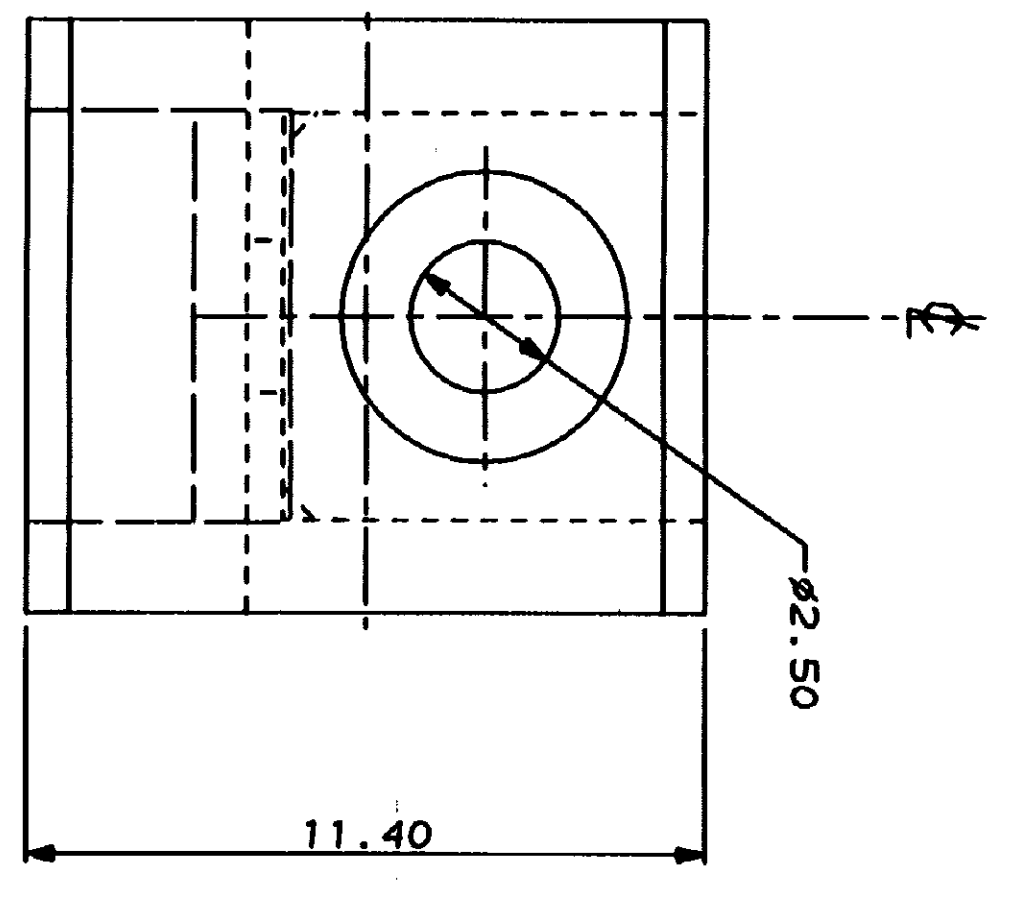
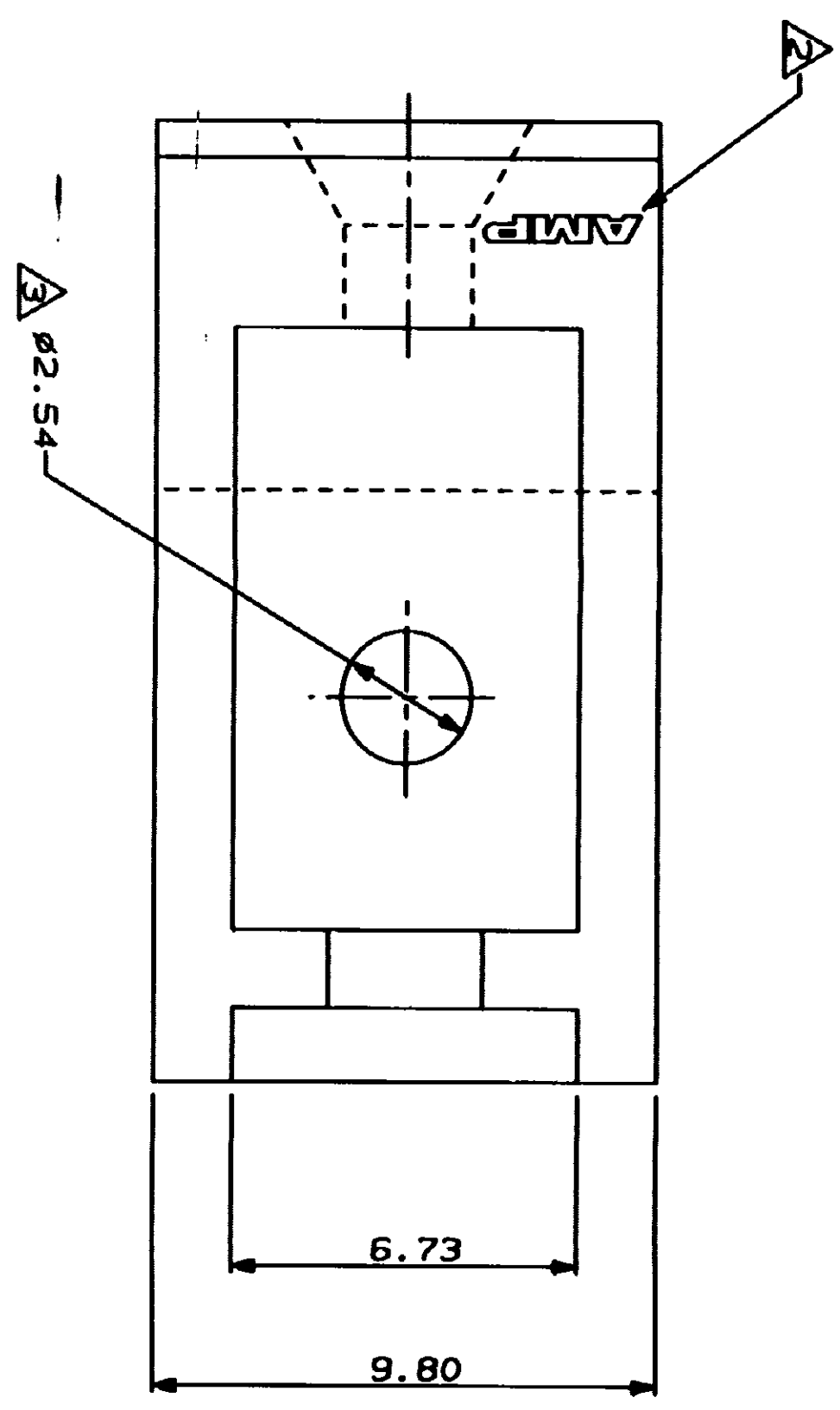
Contact us

Tel: +86-755-8981 8866 Fax: +86-755-8427 6832

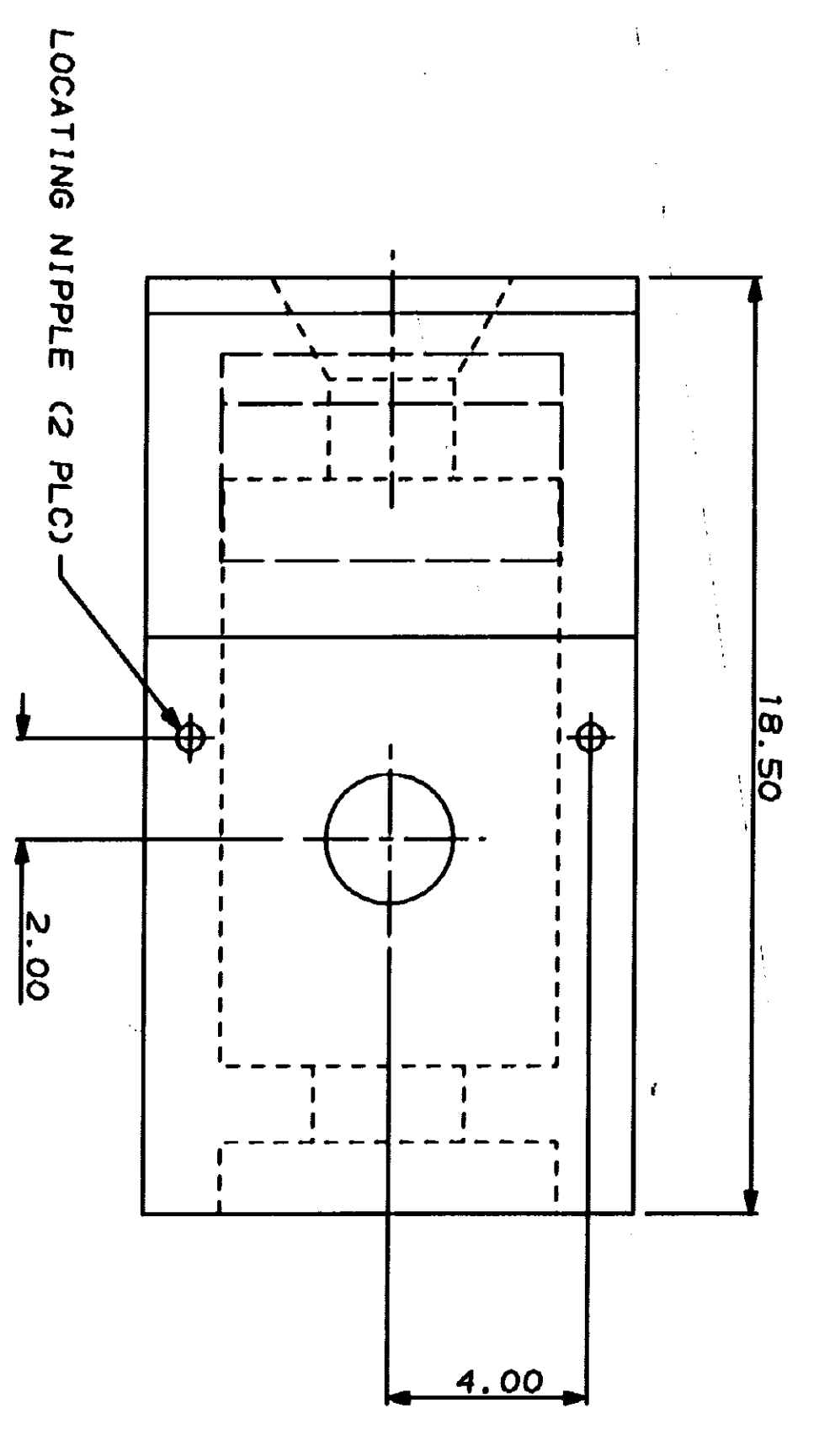
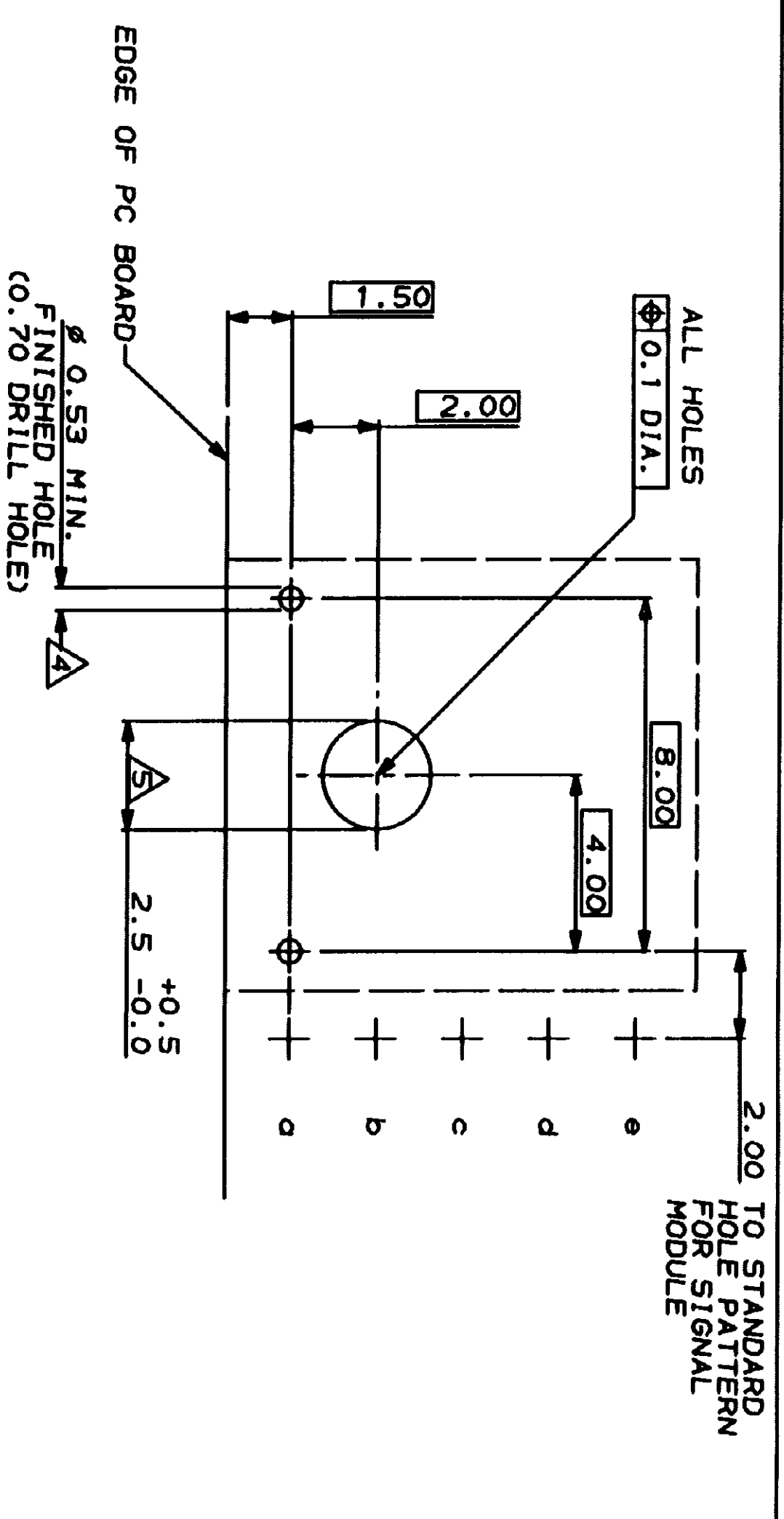
Email & Skype: info@chipsmall.com Web: www.chipsmall.com

Address: A1208, Overseas Decoration Building, #122 Zhenhua RD., Futian, Shenzhen, China





DETAIL Z
 SCALE 20:1



- 1 MATERIAL: GRAY GLASS FILLED POLYESTER.
- 2 AMP TRADEMARK RECESSED.
- 3 THIS PART HAS A THRU HOLE TO ACCEPT GUIDE PIN RECEPTACLE, AMP PART NO. 539065-1.
- 4 LOCATING HOLES NEED NOT BE PLATED THRU HOLES, BUT LOCATING THRU HOLE IS DESIGNED TO FIT MIN. PLATED THRU HOLE DIA. 0.55mm FINISHED.
- 5 PLATED THRU HOLE FOR POWER APPLICATION ONLY.

DO NOT SCALE PRINT. UNLESS SPECIFIED (DIMENSIONS IN mm DIMENSIONS IN INCHES) DIMENSIONS ON 1:1 2 PLG DEC ± 0.1 3 PLG DEC ± 0.1 AMERLES ±		DR 12/02/92 D.R. BENDER	AMP AMP Incorporated Harrisburg, PA 17105-3808
MATERIAL		APPD 03/04/93 L.A. BARKUS	PART NO
PRODUCT SPEC		APPD 03/04/93 L.A. BARKUS	
FINISH		APPD 03/04/93 L.A. BARKUS	
APPLICATION SPEC		SIZE CASE CODE	REPAIRING NO
WEIGHT		00779	646273
		SCALE 8:1	SHEET
			1 OF 1