



Chipsmall Limited consists of a professional team with an average of over 10 year of expertise in the distribution of electronic components. Based in Hongkong, we have already established firm and mutual-benefit business relationships with customers from,Europe,America and south Asia,supplying obsolete and hard-to-find components to meet their specific needs.

With the principle of “Quality Parts,Customers Priority,Honest Operation,and Considerate Service”,our business mainly focus on the distribution of electronic components. Line cards we deal with include Microchip,ALPS,ROHM,Xilinx,Pulse,ON,Everlight and Freescale. Main products comprise IC,Modules,Potentiometer,IC Socket,Relay,Connector.Our parts cover such applications as commercial,industrial, and automotives areas.

We are looking forward to setting up business relationship with you and hope to provide you with the best service and solution. Let us make a better world for our industry!



Contact us

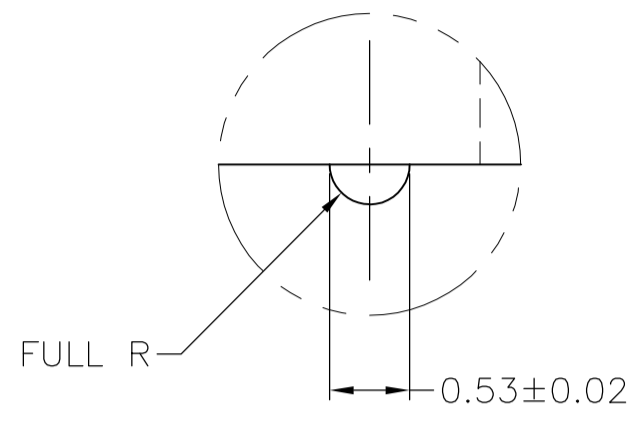
Tel: +86-755-8981 8866 Fax: +86-755-8427 6832

Email & Skype: info@chipsmall.com Web: www.chipsmall.com

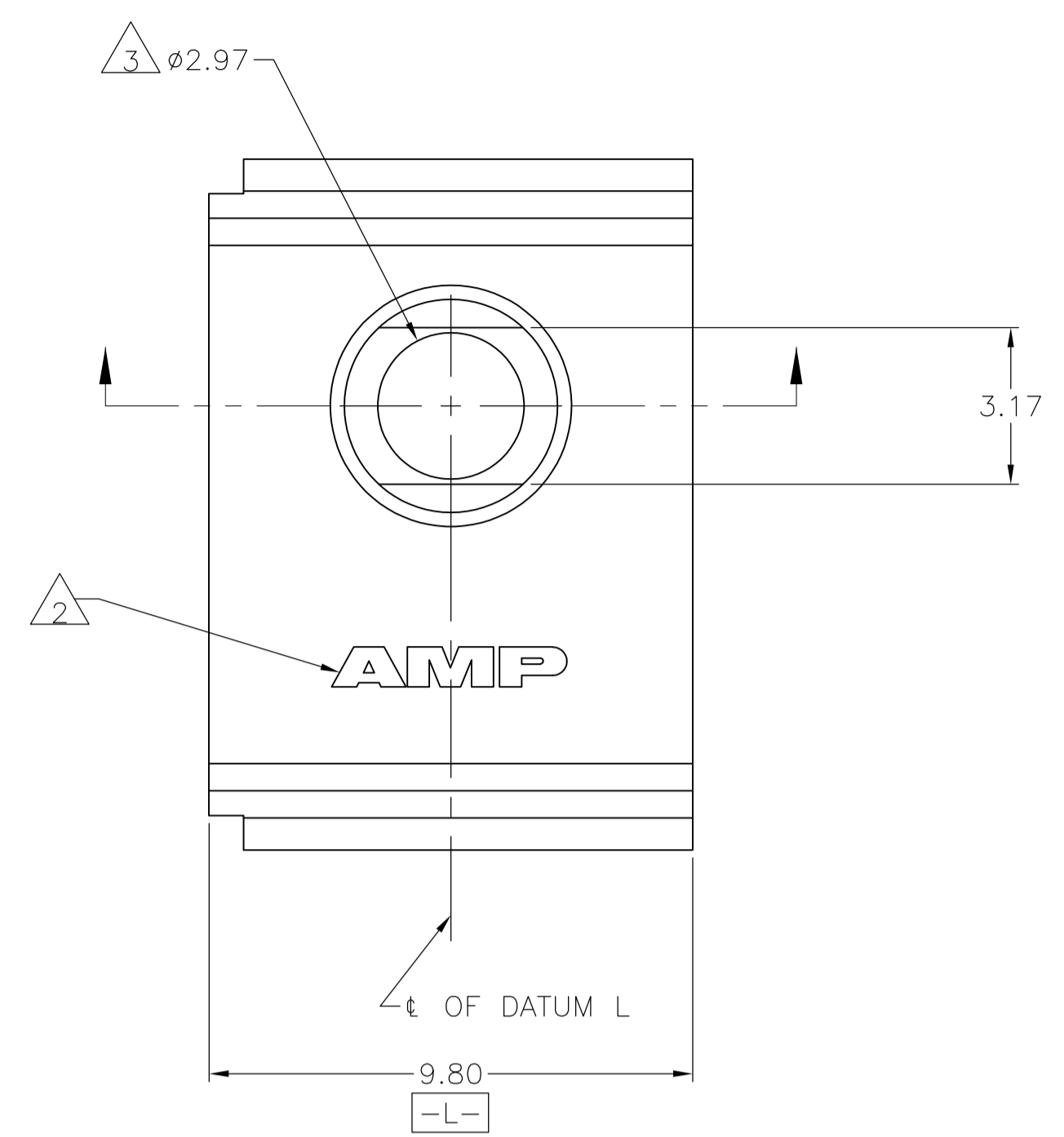
Address: A1208, Overseas Decoration Building, #122 Zhenhua RD., Futian, Shenzhen, China



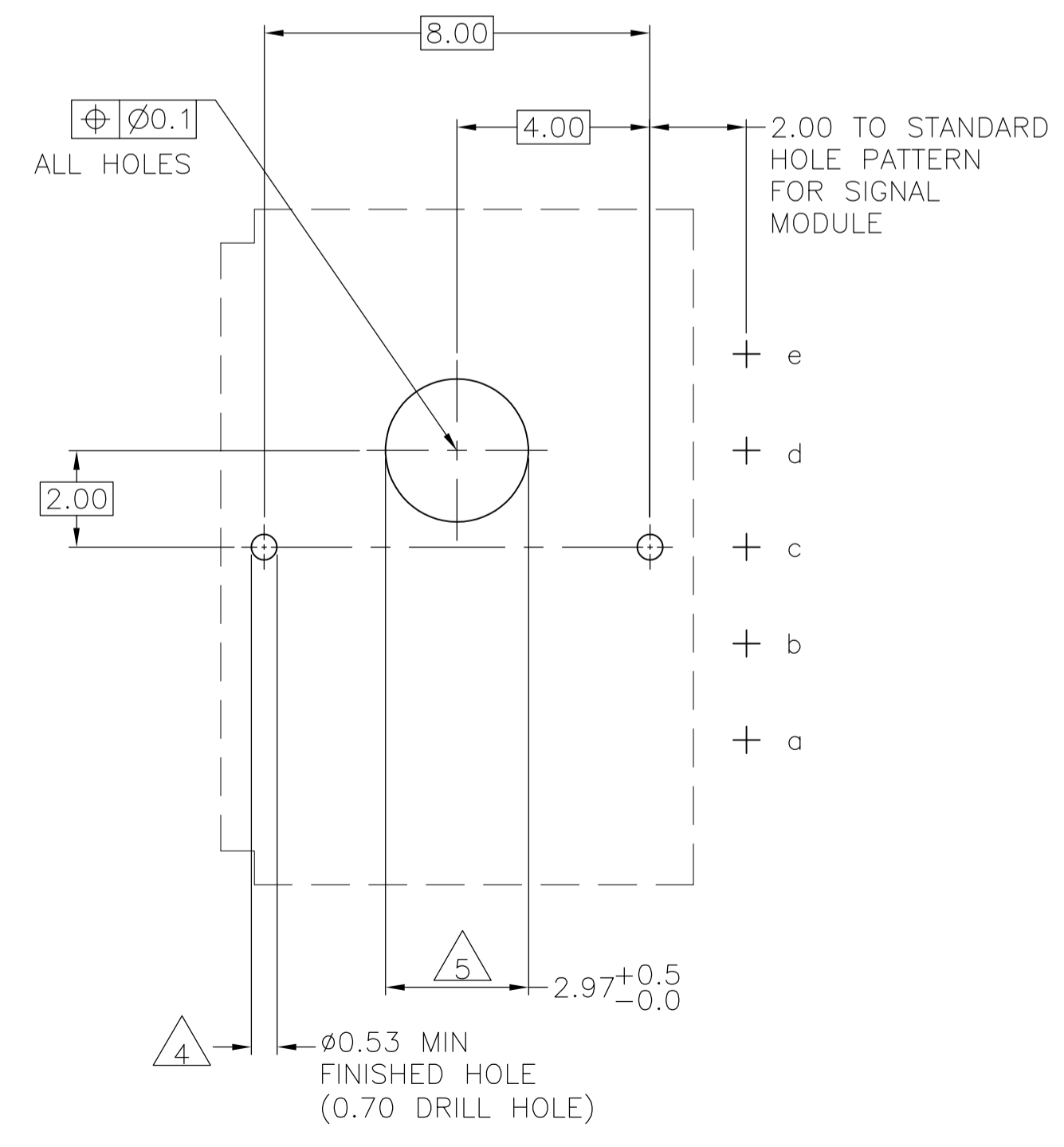
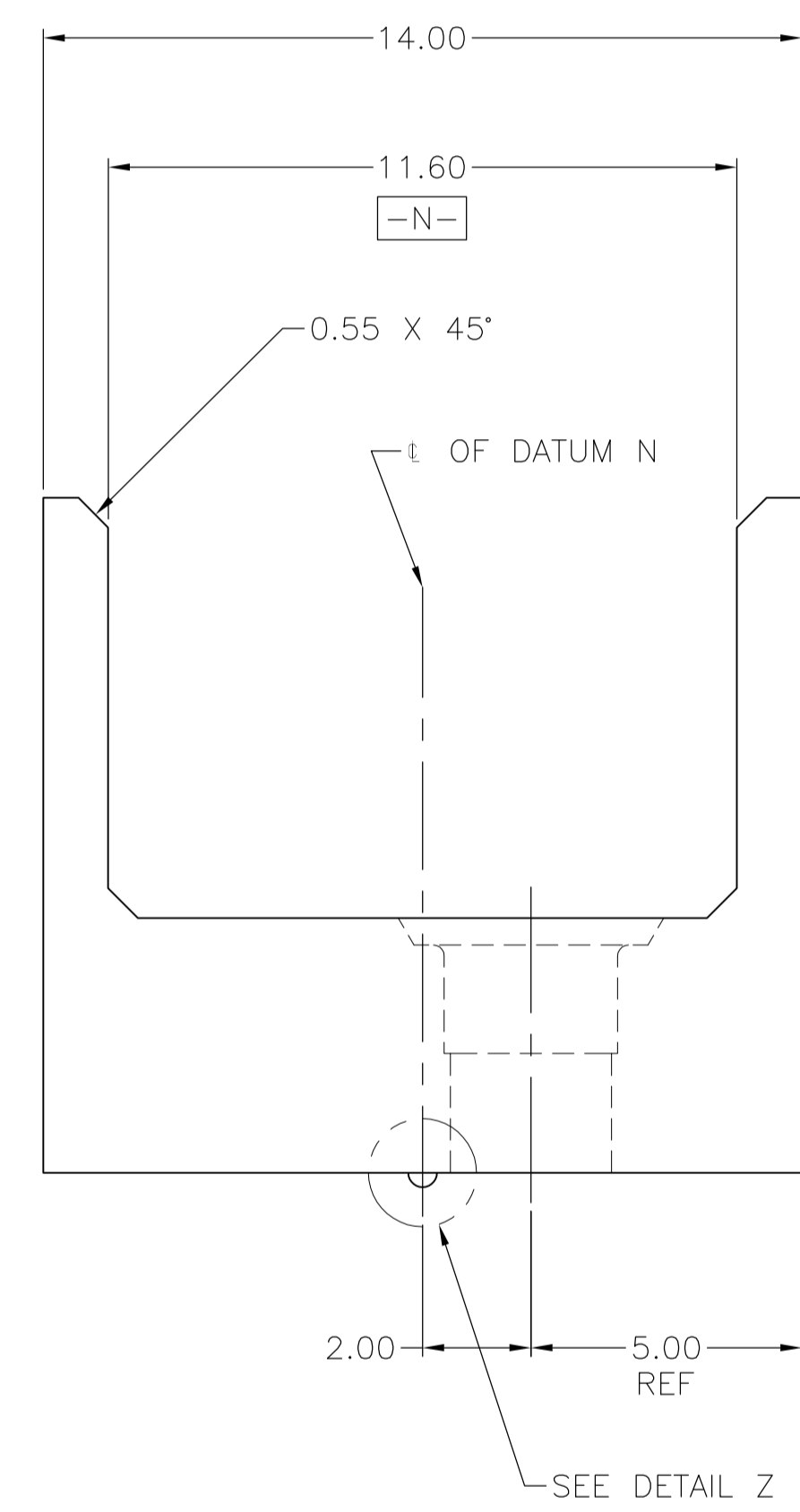
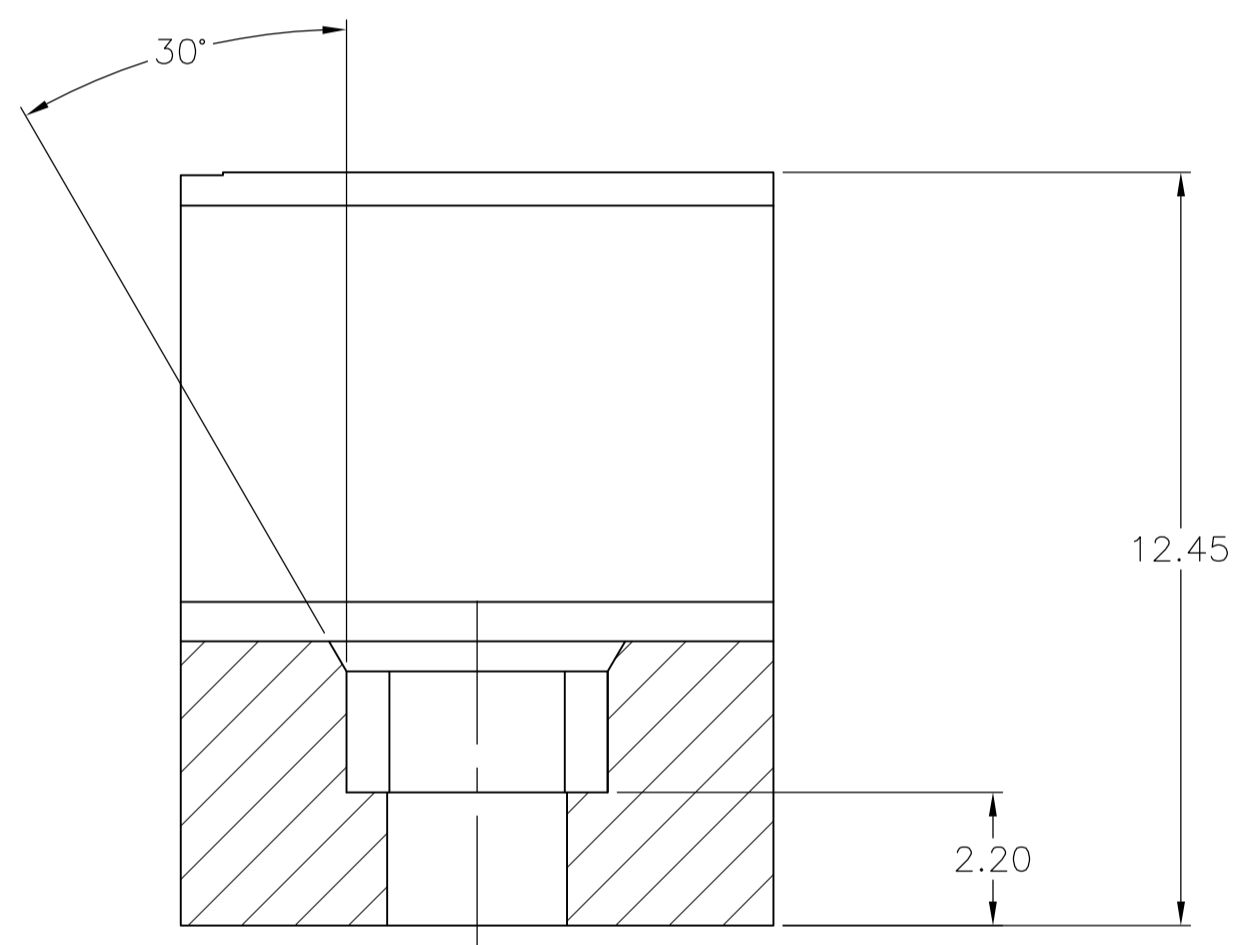
LOC		DIST		REVISIONS			
P	LTR	DESCRIPTION	DATE	DMN	APVD		
B		REV PER EC 0512-0258-04	21MAY04	BC	GS		
B1		REVISED PER ECO-10-000443	15JAN10	KK	AEG		
C		ECR-10-019054	15SEP10	DP	MQW		



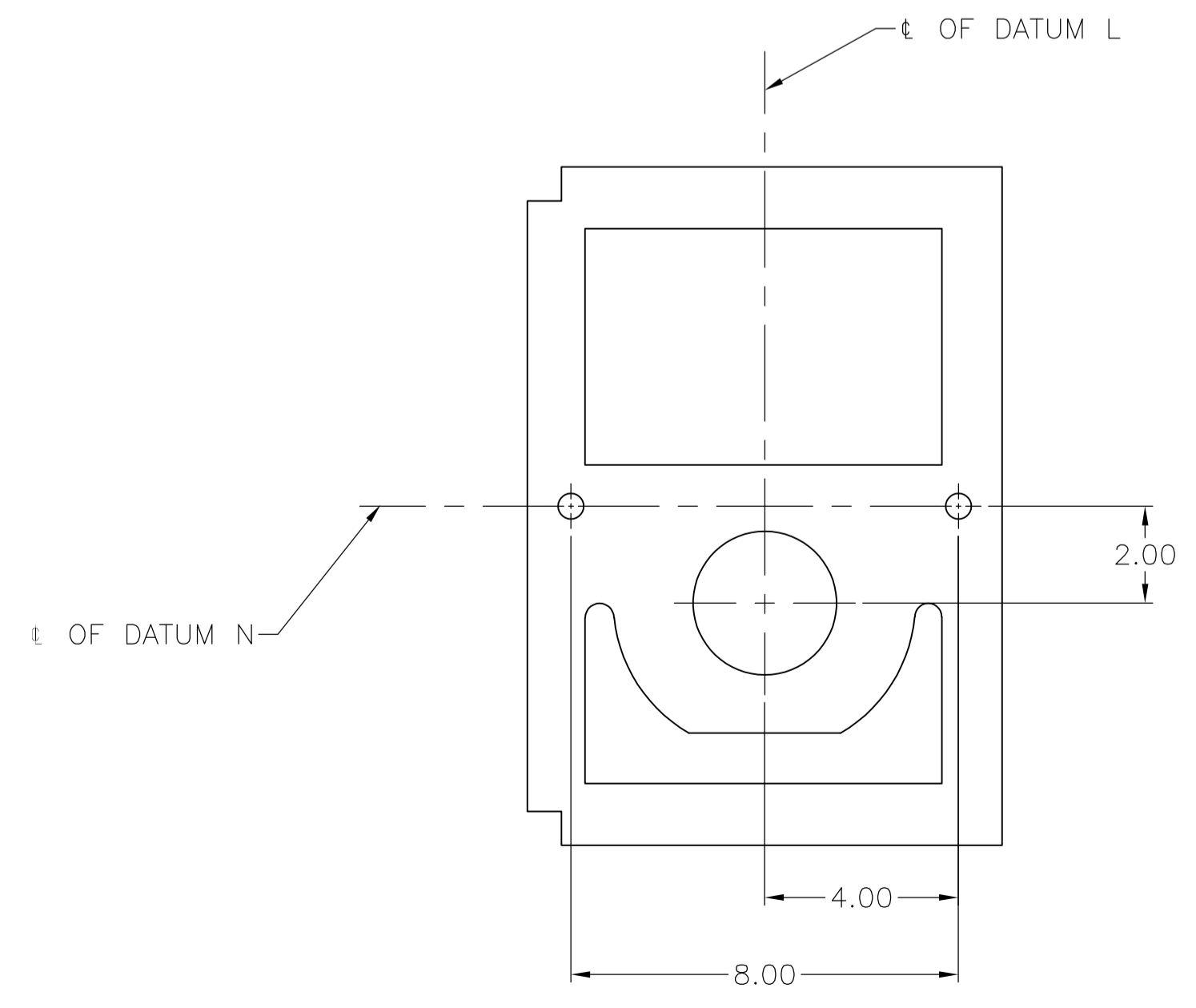
DETAIL Z
SCALE 20:1



- 1 MATERIAL: GLASS FILLED POLYESTER, GRAY.
- 2 AMP TRADEMARK RECESSED.
- 3 THIS PART HAS A THRU HOLE TO ACCEPT A POWER/GUIDE PIN, AMP BASE PART NO 532828.
- 4 LOCATING HOLES NEED NOT BE PLATED THRU HOLES. BUT LOCATING NIPPLE IS DESIGNED TO FIT MIN PLATED THRU HOLE Ø0.55mm FINISHED.
- 5 PLATED THRU HOLE FOR POWER APPLICATION ONLY.
- 6 SAME AS -1. SPECIAL PART FOR NORTEL AND THEIR CONTRACT MANUFACTURERS.
- 7 OBSOLETE PARTS: OBSOLETE CIS STREAMLINING PER D.RENAUD/D.SINISI



RECOMMENDED PCB-HOLE LAYOUT
COMPONENT SIDE



6	7	OBSOLETE	646274-8
			646274-1
		PART NUMBER	

THIS DRAWING IS A CONTROLLED DOCUMENT.		DIN D.R.BENDER 12/02/92		Tyco Electronics Corporation	
DIMENSIONS: mm		CHK L.A.BARKJUS 03/04/93		Tyco Electronics Corporation	
TOLERANCES UNLESS OTHERWISE SPECIFIED:		APVD L.A.BARKJUS 03/04/93		Harrisburg, Pa 17105-3608	
0-PLC	±0.2	NAME		POWER/GUIDE PIN HOUSING	
1-PLC	±0.2	PRODUCT SPEC		MOLDED, 2mm HM	
2-PLC	±0.1	APPLICATION SPEC		SIZE CAGE CODE DRAWING NO	
3-PLC	±0.1	WEIGHT		A1 00779 C=646274	
4-PLC	±0.1	RESTRICTED TO		CUSTOMER DRAWING	
ANGLES		SCALE		8:1	
		SHEET		1 of 1	
		REV		C	