



Chipsmall Limited consists of a professional team with an average of over 10 year of expertise in the distribution of electronic components. Based in Hongkong, we have already established firm and mutual-benefit business relationships with customers from,Europe,America and south Asia,supplying obsolete and hard-to-find components to meet their specific needs.

With the principle of “Quality Parts,Customers Priority,Honest Operation,and Considerate Service”,our business mainly focus on the distribution of electronic components. Line cards we deal with include Microchip,ALPS,ROHM,Xilinx,Pulse,ON,Everlight and Freescale. Main products comprise IC,Modules,Potentiometer,IC Socket,Relay,Connector.Our parts cover such applications as commercial,industrial, and automotives areas.

We are looking forward to setting up business relationship with you and hope to provide you with the best service and solution. Let us make a better world for our industry!



Contact us

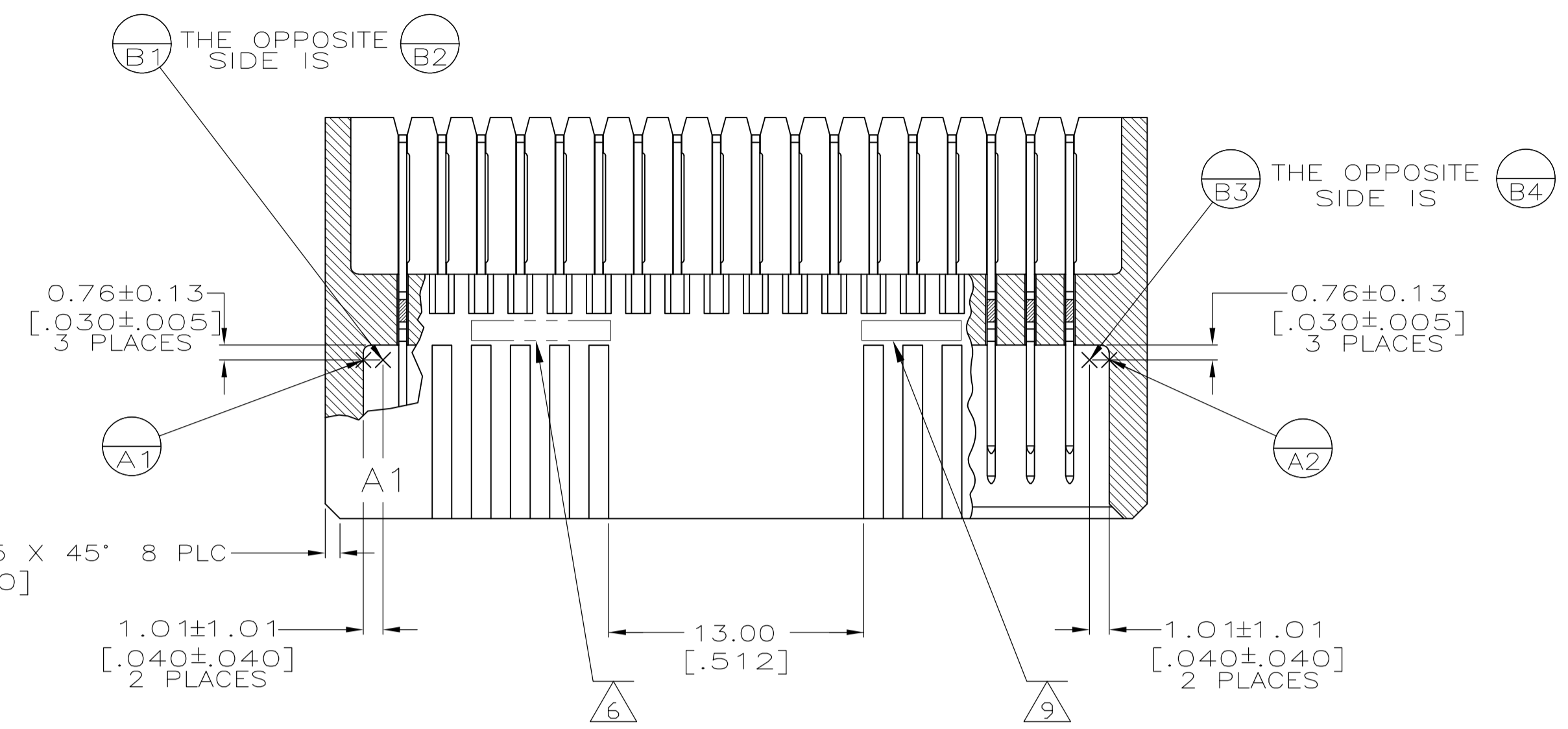
Tel: +86-755-8981 8866 Fax: +86-755-8427 6832

Email & Skype: info@chipsmall.com Web: www.chipsmall.com

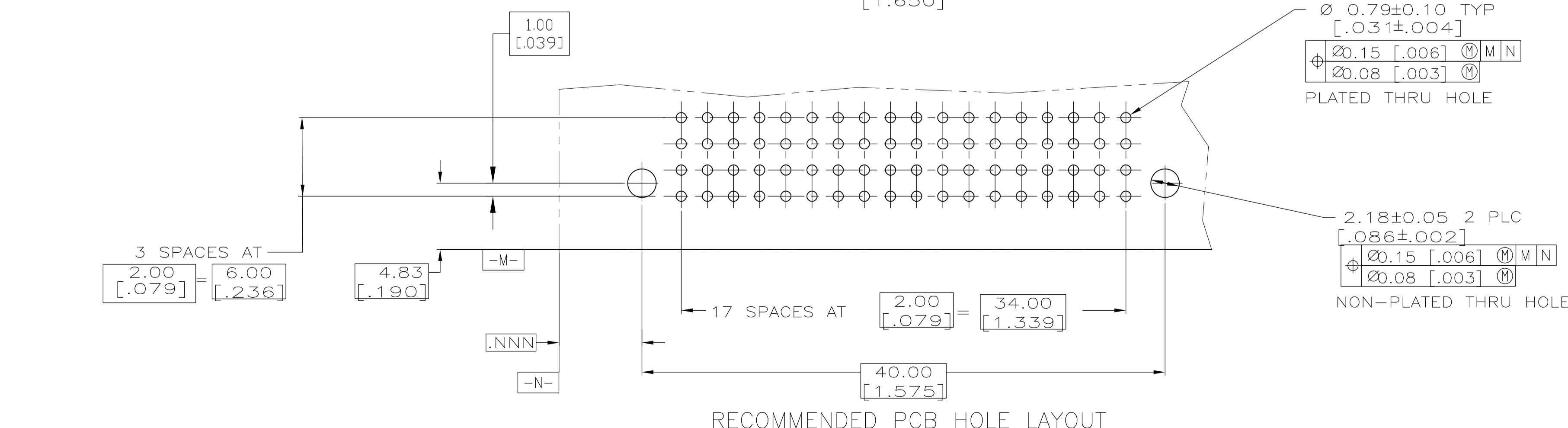
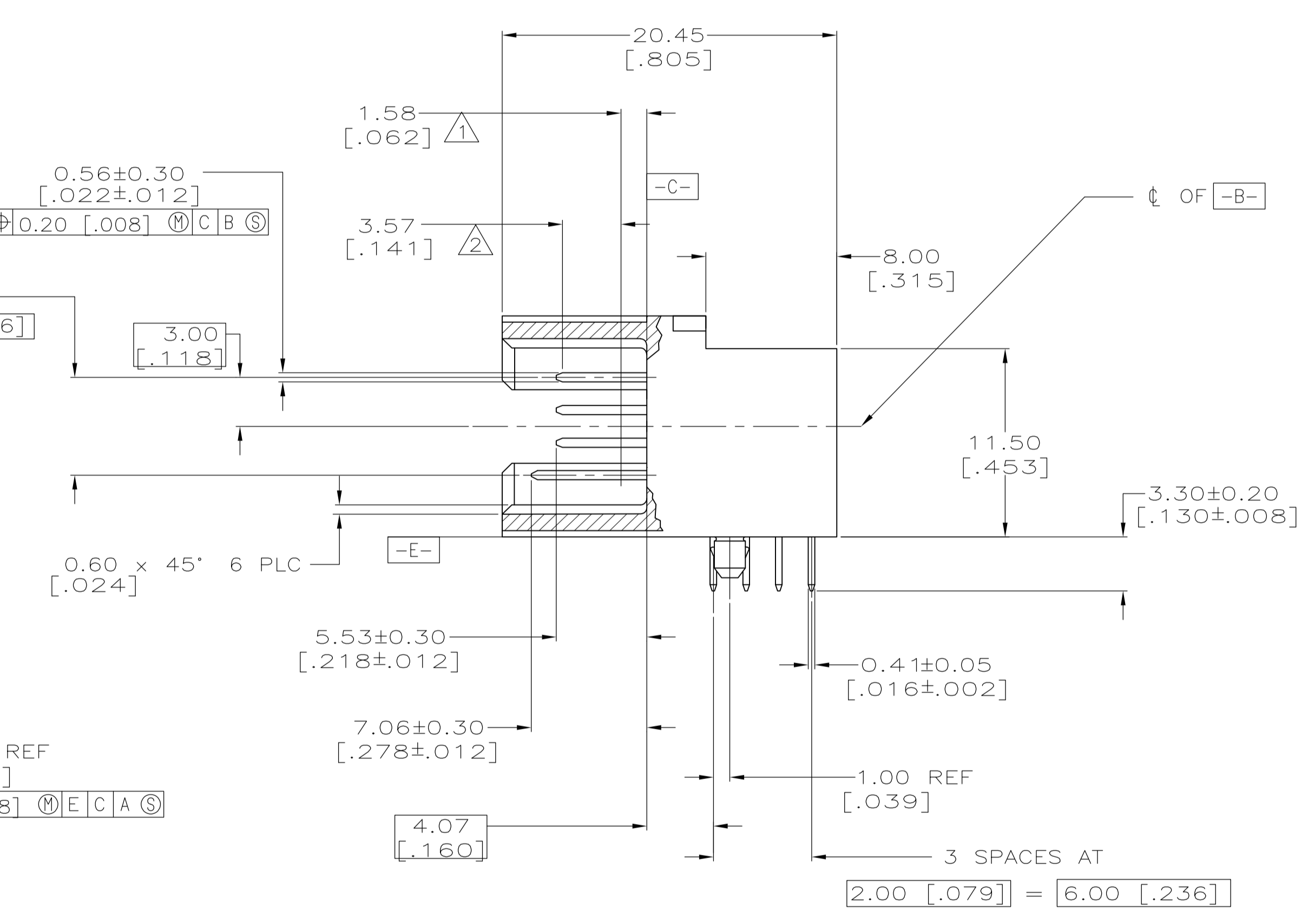
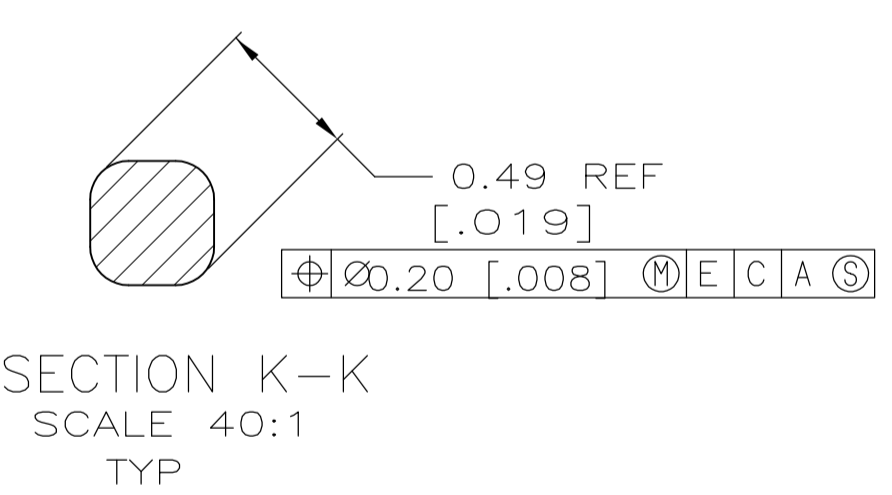
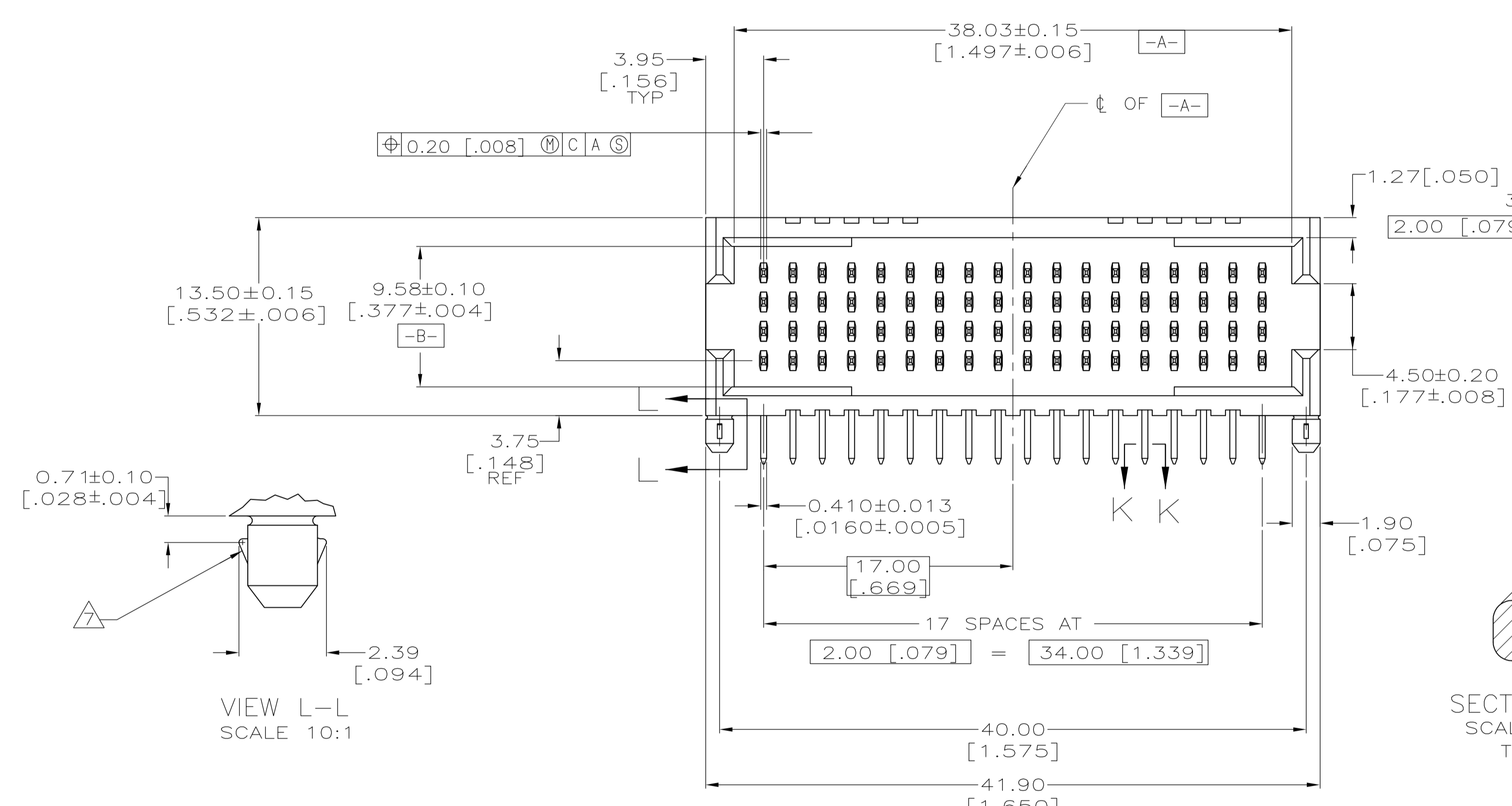
Address: A1208, Overseas Decoration Building, #122 Zhenhua RD., Futian, Shenzhen, China



LOC		DIST		REVISIONS			
DF	X5	F	LTR	DESCRIPTION	DATE	DMN	APVD
		G		ECO 08-024363	08OCT08	MB	MZ
		G1		REVISED PER ECO-09-021510	14SEP09	KK	AEG



- 1 DISTANCE TO INTERFACE - REF ONLY.
- 2 NOMINAL WIPE EXCLUDING POST TIP - REF ONLY.
- 3 HOUSING MATERIAL: LCP, COLOR: BLACK.
- 4 CONTACT BASE MATERIAL: PSOSPHOR BRONZE.
- 5 CONTACT PLATING: 0.00076[.000030] MIN GOLD OVER 0.00127[.000050] MIN NICKEL IN CONTACT AREA. 0.00381[.000150] MIN HOT AIR LEVELED TIN-LEAD ON SOLDER TAILS.
- 6 MARKED WITH TE PART NUMBER IN APPROXIMATE AREA SHOWN.
- 7 RETENTION FEATURE MATERIAL: BERYLLIUM COPPER 0.250±0.013[.0100±.0005] THICK.
- 8 CONTACT PLATING: 0.00076[.000030] MIN GOLD OVER 0.00127[.000050] MIN NICKEL IN CONTACT AREA. 0.00381[.000150] MIN LEAD FREE MATTE TIN ON SOLDER TAILS.
- 9 MARKED WITH DATE CODE IN APPROXIMATE AREA SHOWN.
- 10 OBSOLETE PARTS: OBSOLETE CIS STREAMLINING PER D.RENAUD/D.SINISI



10 OBSOLETE	72	-646279-2
	72	646279-1
FINISH	NO OF POSN	PART NUMBER

THIS DRAWING IS A CONTROLLED DOCUMENT.		DIN J ASICK 10/25/93	Tyco Electronics Corporation Harrisburg, PA 17105-3608	
DIMENSIONS: INCHES [mm]		CHK S.HEADER 07/09/93	Tyco Electronics	
TOLERANCES UNLESS OTHERWISE SPECIFIED:		APVD S.HEADER 07-09-93	NAME	
0 PLC ± -	1 PLC ± -	Z-PACK 2mm RS		
2 PLC ± 0.13 [.005]	3 PLC ± -	R/A PIN HEADER ASSEMBLY		
4 PLC ± -	ANGLES ± °	SEQUENCED MATING POST LENGTH		
MATERIAL	FINISH	SIZE	CAGE CODE	DRAWING NO
	SEE TABLE	A1	00779	646279
WEIGHT		CUSTOMER DRAWING		RESTRICTED TO
		SCALE	SHEET	REV
		4:1	1 of 1	G1