



Chipsmall Limited consists of a professional team with an average of over 10 year of expertise in the distribution of electronic components. Based in Hongkong, we have already established firm and mutual-benefit business relationships with customers from,Europe,America and south Asia,supplying obsolete and hard-to-find components to meet their specific needs.

With the principle of "Quality Parts,Customers Priority,Honest Operation,and Considerate Service",our business mainly focus on the distribution of electronic components. Line cards we deal with include Microchip,ALPS,ROHM,Xilinx,Pulse,ON,Everlight and Freescale. Main products comprise IC,Modules,Potentiometer,IC Socket,Relay,Connector.Our parts cover such applications as commercial,industrial, and automotives areas.

We are looking forward to setting up business relationship with you and hope to provide you with the best service and solution. Let us make a better world for our industry!



Contact us

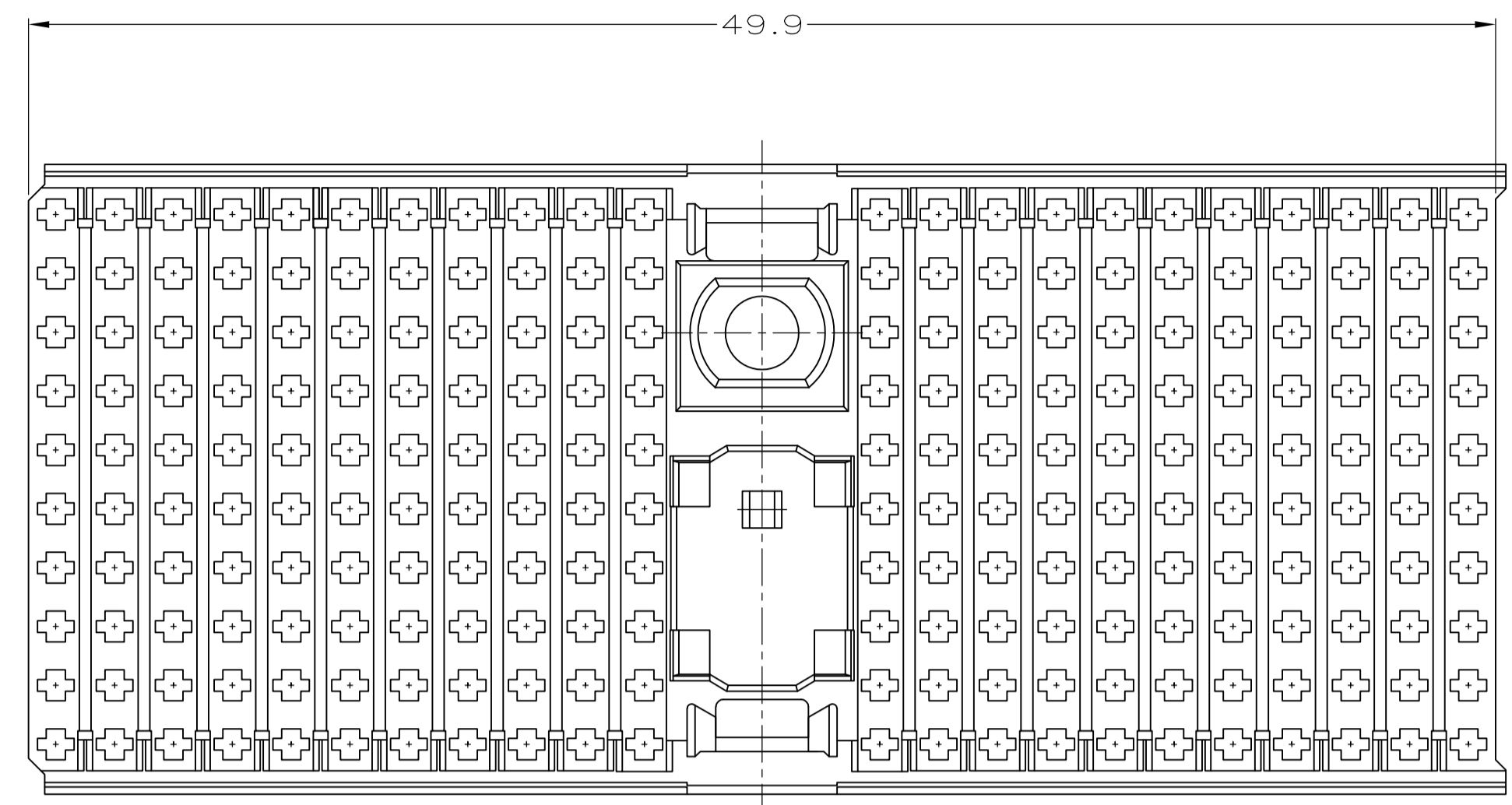
Tel: +86-755-8981 8866 Fax: +86-755-8427 6832

Email & Skype: info@chipsmall.com Web: www.chipsmall.com

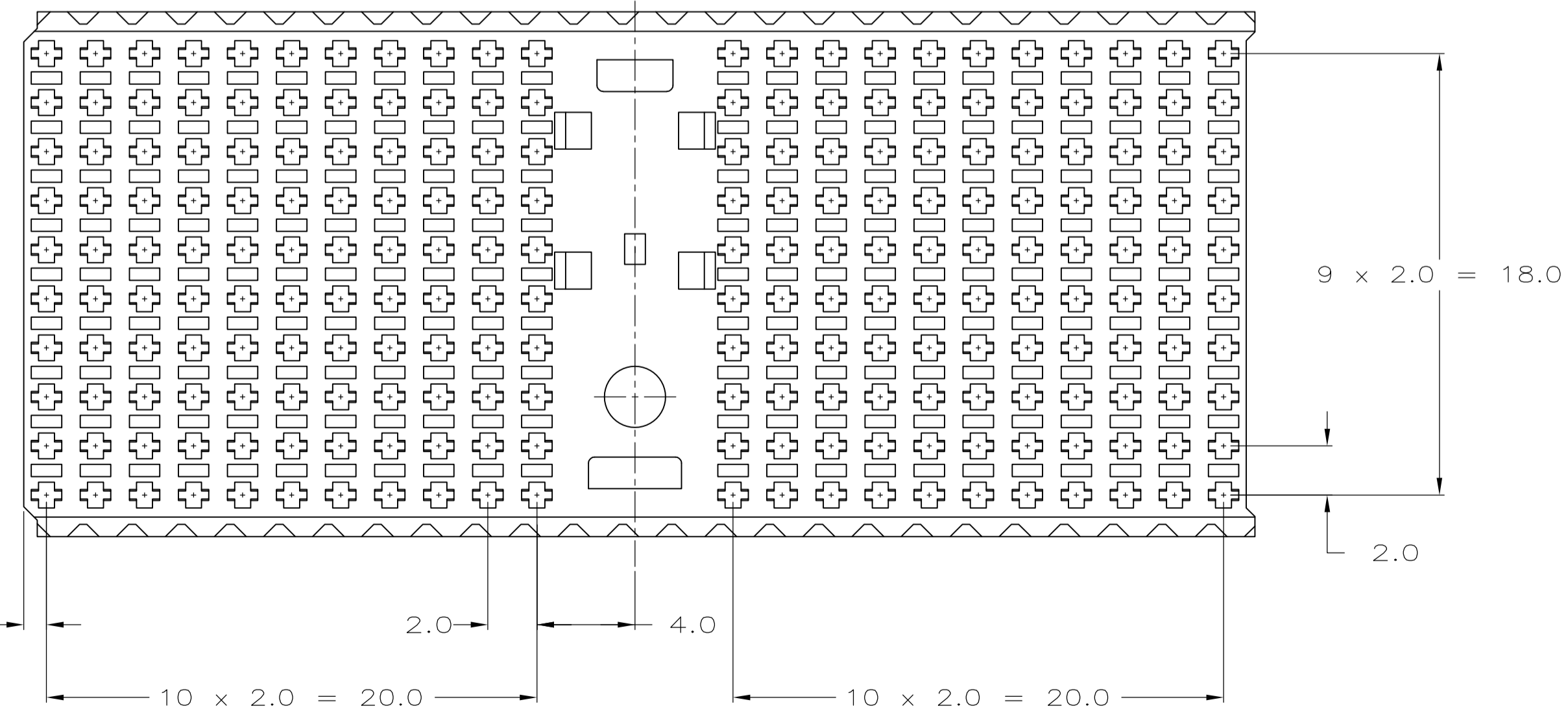
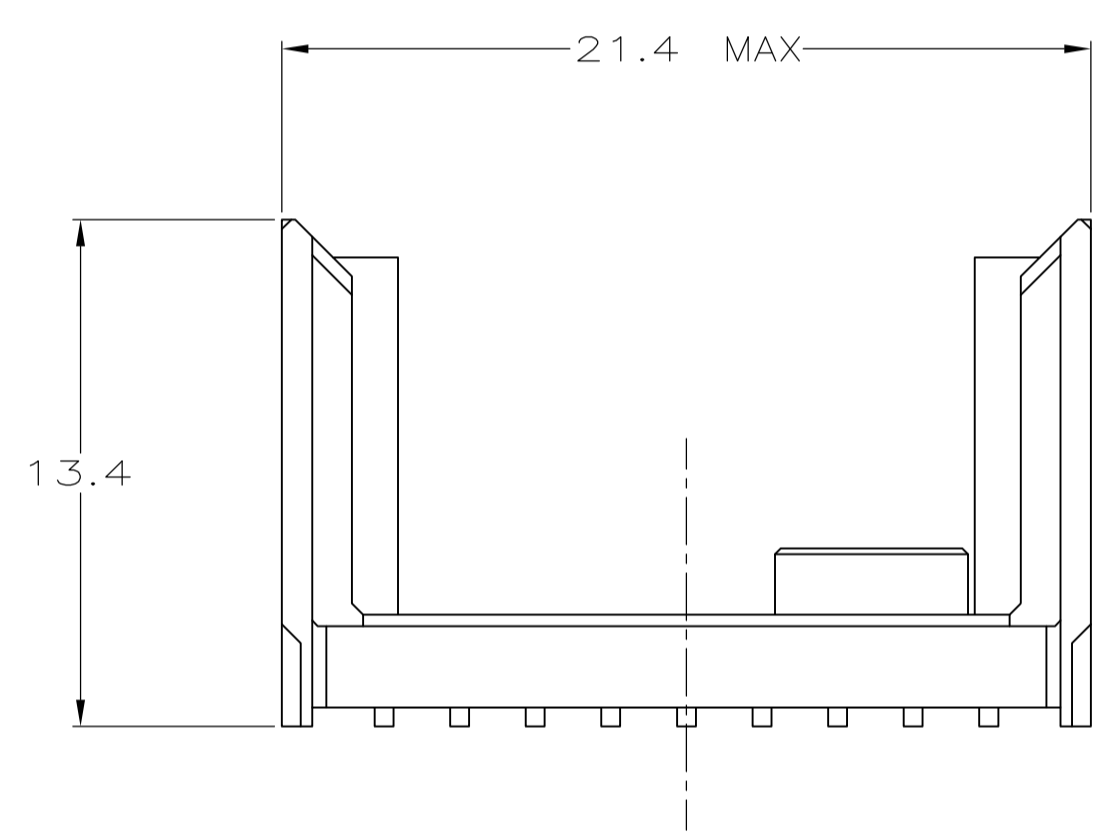
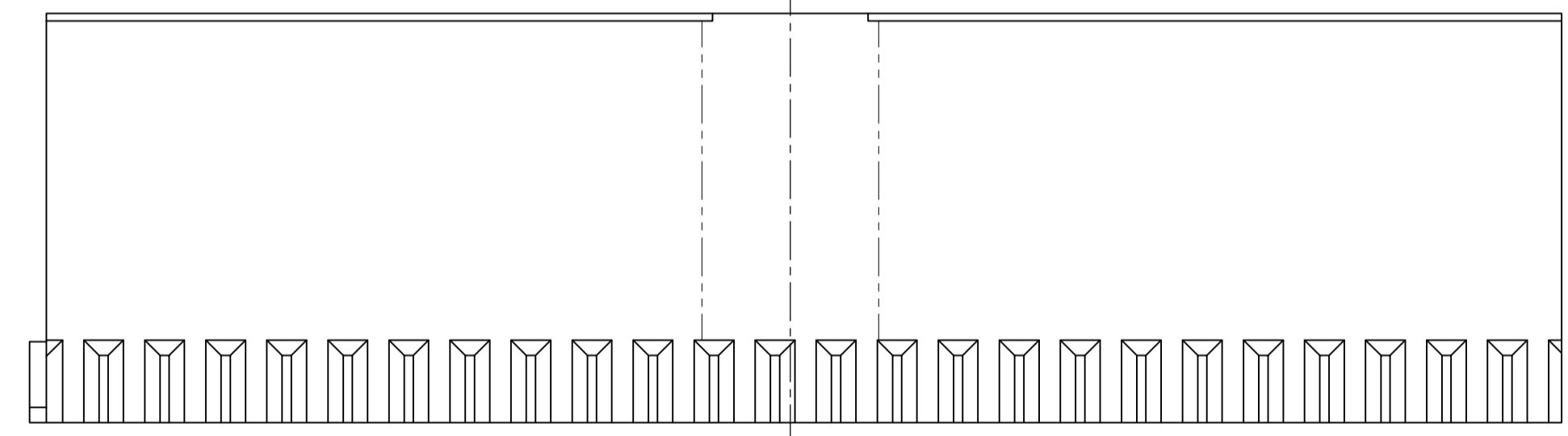
Address: A1208, Overseas Decoration Building, #122 Zhenhua RD., Futian, Shenzhen, China



REVISONS		DATE	DWN	APVD
P	LTR			
B	REVISE PER ECN OU1B-0046-00	09APR00	SU	RP
C	ECR-10-018652	10SEP10	SW	MQW



△ MATERIAL: GLASS-FILLED POLYESTER.



-	△	646370-2
-	M/F P/N 646344-1	646370-1
FINISH	MATERIAL	PART NUMBER

<small>THIS DRAWING IS A CONTROLLED DOCUMENT FOR AMP. REPRODUCTION OR DISSEMINATION OF THIS DRAWING TO ANY OTHER ORGANIZATION SHOULD BE CONTACTED FOR THE LATEST REVISION.</small>		DWN: J. LOCONDRO 24JUL96 CHK: G.P. GROGAN 24JUL96 PROD: G.P. GROGAN 24JUL96 PRODUCT SPEC: - APPLICATION SPEC: - WEIGHT: - CUSTOMER DRAWING: -	AMP AMP Incorporated Harrisburg, PA 17105-3608
DIMENSIONS: mm TOLERANCES UNLESS OTHERWISE SPECIFIED: 0-PLC ± 1-PLC ±0.1 2-PLC ± 3-PLC ± 4-PLC ± ANGLES ±	SIZE: A1 CAGE CODE: 00779 DRAWING NO: 646370 SCALE: 5:1 SHEET: 1 OF 1 REV: C	MALE SHROUD, 176 POSITION 8 ROW, TYPE D, Z-PACK 2mm HM	