



Chipsmall Limited consists of a professional team with an average of over 10 year of expertise in the distribution of electronic components. Based in Hongkong, we have already established firm and mutual-benefit business relationships with customers from,Europe,America and south Asia,supplying obsolete and hard-to-find components to meet their specific needs.

With the principle of “Quality Parts,Customers Priority,Honest Operation,and Considerate Service”,our business mainly focus on the distribution of electronic components. Line cards we deal with include Microchip,ALPS,ROHM,Xilinx,Pulse,ON,Everlight and Freescale. Main products comprise IC,Modules,Potentiometer,IC Socket,Relay,Connector.Our parts cover such applications as commercial,industrial, and automotives areas.

We are looking forward to setting up business relationship with you and hope to provide you with the best service and solution. Let us make a better world for our industry!



Contact us

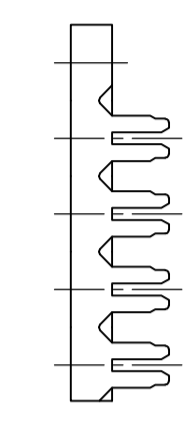
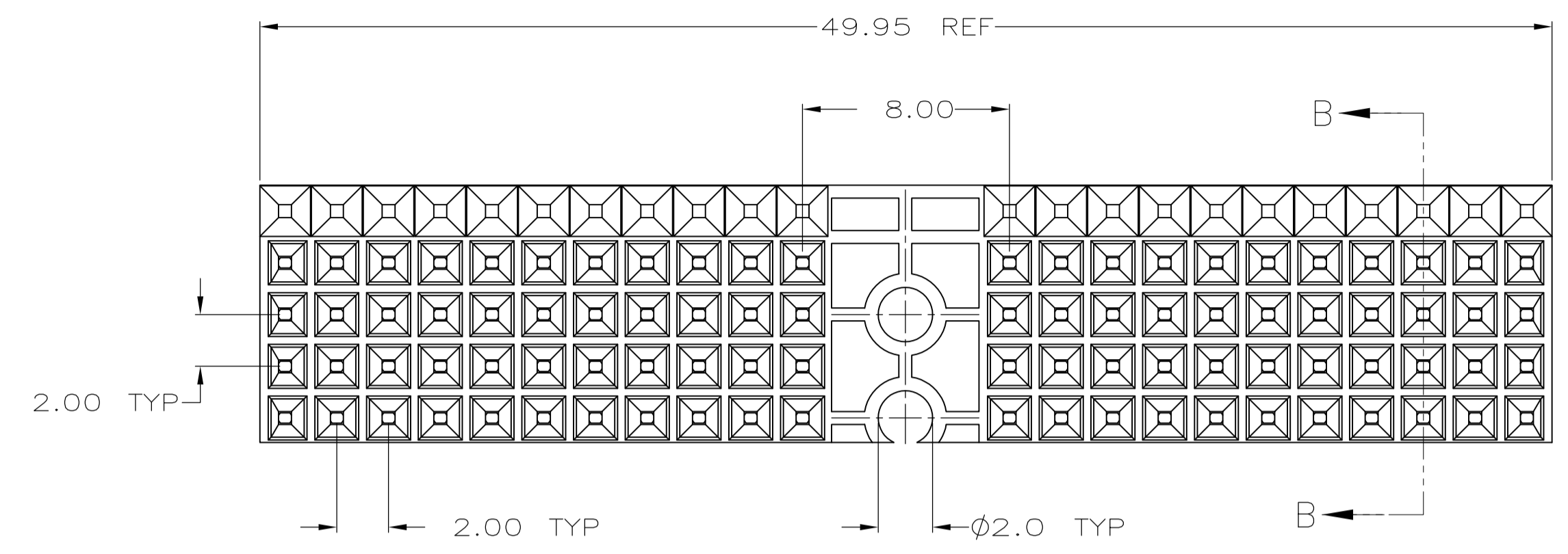
Tel: +86-755-8981 8866 Fax: +86-755-8427 6832

Email & Skype: info@chipsmall.com Web: www.chipsmall.com

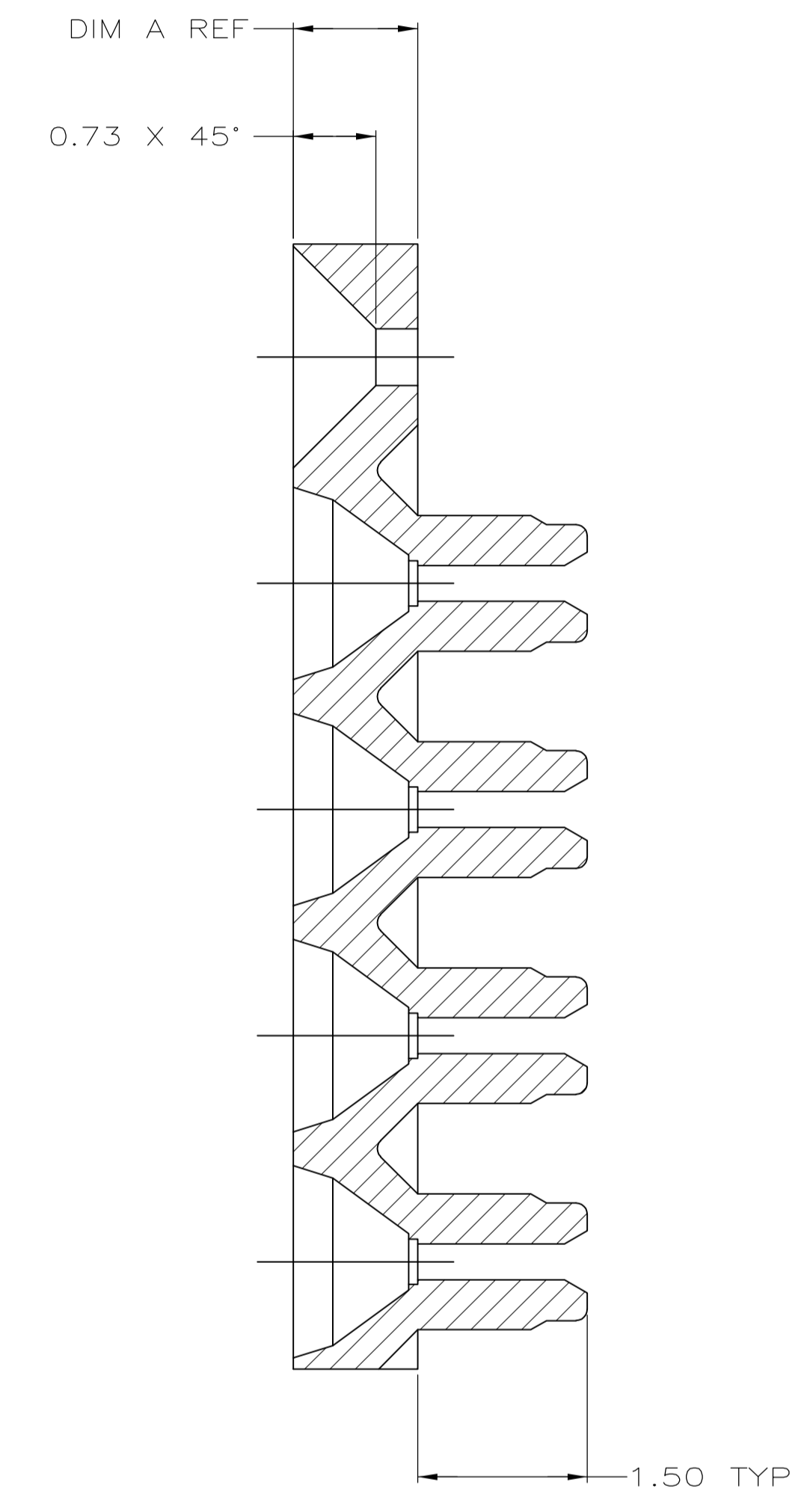
Address: A1208, Overseas Decoration Building, #122 Zhenhua RD., Futian, Shenzhen, China



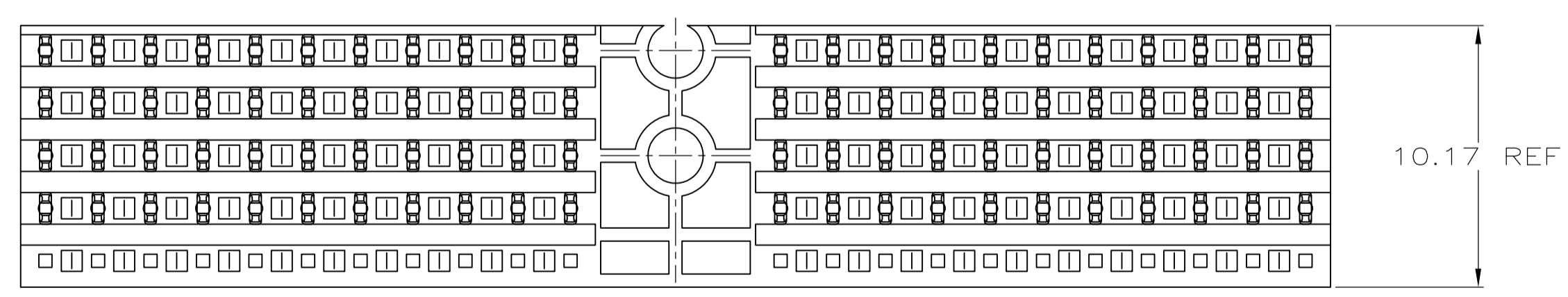
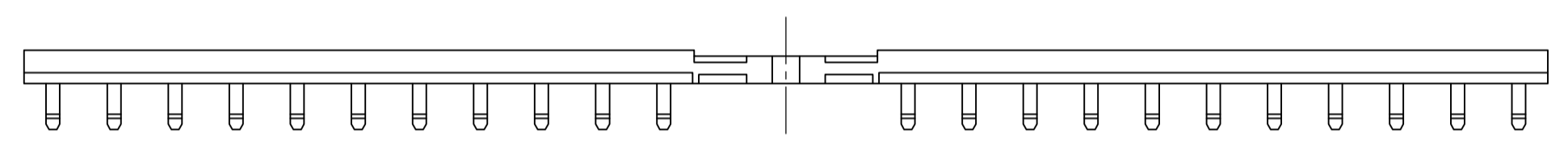
REV	DATE	DESCRIPTION	DATE	DWN	APVD
C	19 MAR 04	REV PER EC 0S12-0217-03		BC	GS
C1	15JAN10	REVISED PER ECO-10-000443		KK	AEG
D	15SEP10	ECR-10-019054		DP	MQW



- 646386-2 AS SHOWN
 - 2 SPACERS REQUIRED PER EACH MALE ASSEMBLY.
- 3 MATERIAL: UNFILLED POLYESTER, COLOR: GREY.
4 OBSOLETE PART NUMBER.
5 OBSOLETE PARTS: OBSOLETE CIS STREAMLINING PER D.RENAUD/D.SINISI



SECTION B-B
SCALE 20:1



	1.9	646386-6
	1.7	4 646386-5
	1.5	4 646386-4
	1.3	4 646386-3
5 OBSOLETE	1.1	646386-2
	0.9	646386-1
	DIM "A" REF	PART NUMBER

<small>THIS DRAWING IS A CONTROLLED DOCUMENT FOR AMP INCORPORATED. IF A SUBJECT TO CHANGE AND THE CONTROLLING ENGINEERING ORGANIZATION SHOULD BE CONTACTED FOR THE LATEST REVISION.</small>		DWN: J.LOCONDRIO 21NOV96 CHK: R.W.FLICKER 21NOV96 R.P.V.D. R.W.FLICKER 21NOV96 PRODUCT SPEC: - APPLICATION SPEC: - WEIGHT: - CUSTOMER DRAWING: -	AMP AMP Incorporated Harrisburg, PA 17105-3608
DIMENSIONS: mm TOLERANCES UNLESS OTHERWISE SPECIFIED: Ø-PLC ±.2 H-PLC ±0.10 F-PLC ±0.05 A-PLC ±0.010 ANGLE ±.1° FINISH -	DIM A REF 0.73 X 45° 1.50 TYP	NAME: SPACER, TYPE A FOR Z-PACK 2mm HM, 8 ROW MALE ASSEMBLY SIZE: A1 CAGE CODE: 00779 DRAWING NO: 646386	SCALE: - SHEET: 1 OF 1 REV: 0