



Chipsmall Limited consists of a professional team with an average of over 10 year of expertise in the distribution of electronic components. Based in Hongkong, we have already established firm and mutual-benefit business relationships with customers from,Europe,America and south Asia,supplying obsolete and hard-to-find components to meet their specific needs.

With the principle of “Quality Parts,Customers Priority,Honest Operation,and Considerate Service”,our business mainly focus on the distribution of electronic components. Line cards we deal with include Microchip,ALPS,ROHM,Xilinx,Pulse,ON,Everlight and Freescale. Main products comprise IC,Modules,Potentiometer,IC Socket,Relay,Connector.Our parts cover such applications as commercial,industrial, and automotives areas.

We are looking forward to setting up business relationship with you and hope to provide you with the best service and solution. Let us make a better world for our industry!



## Contact us

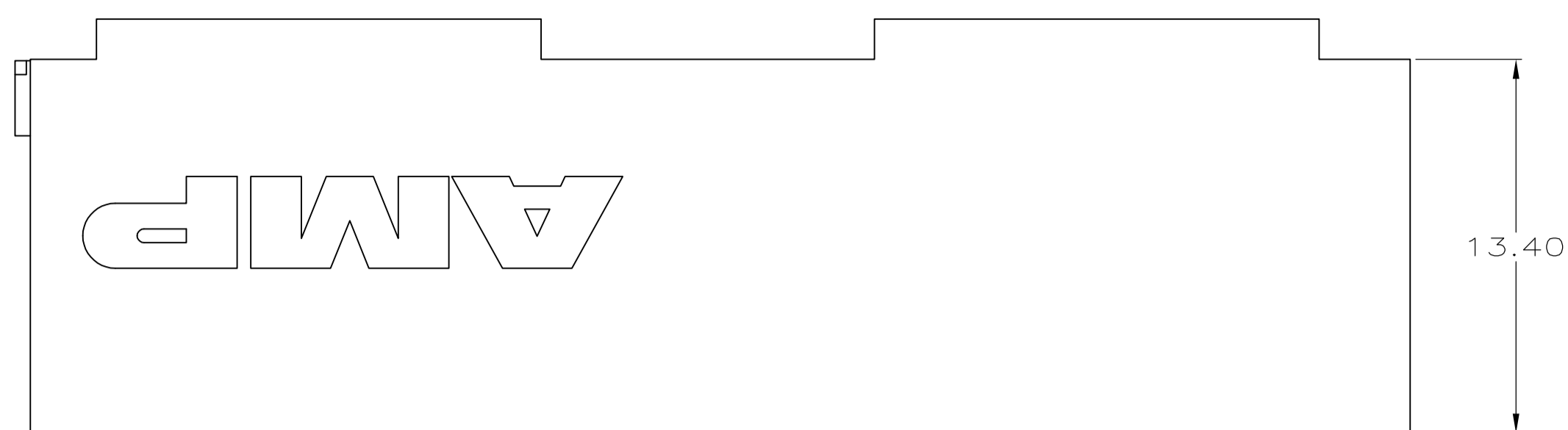
Tel: +86-755-8981 8866 Fax: +86-755-8427 6832

Email & Skype: info@chipsmall.com Web: www.chipsmall.com

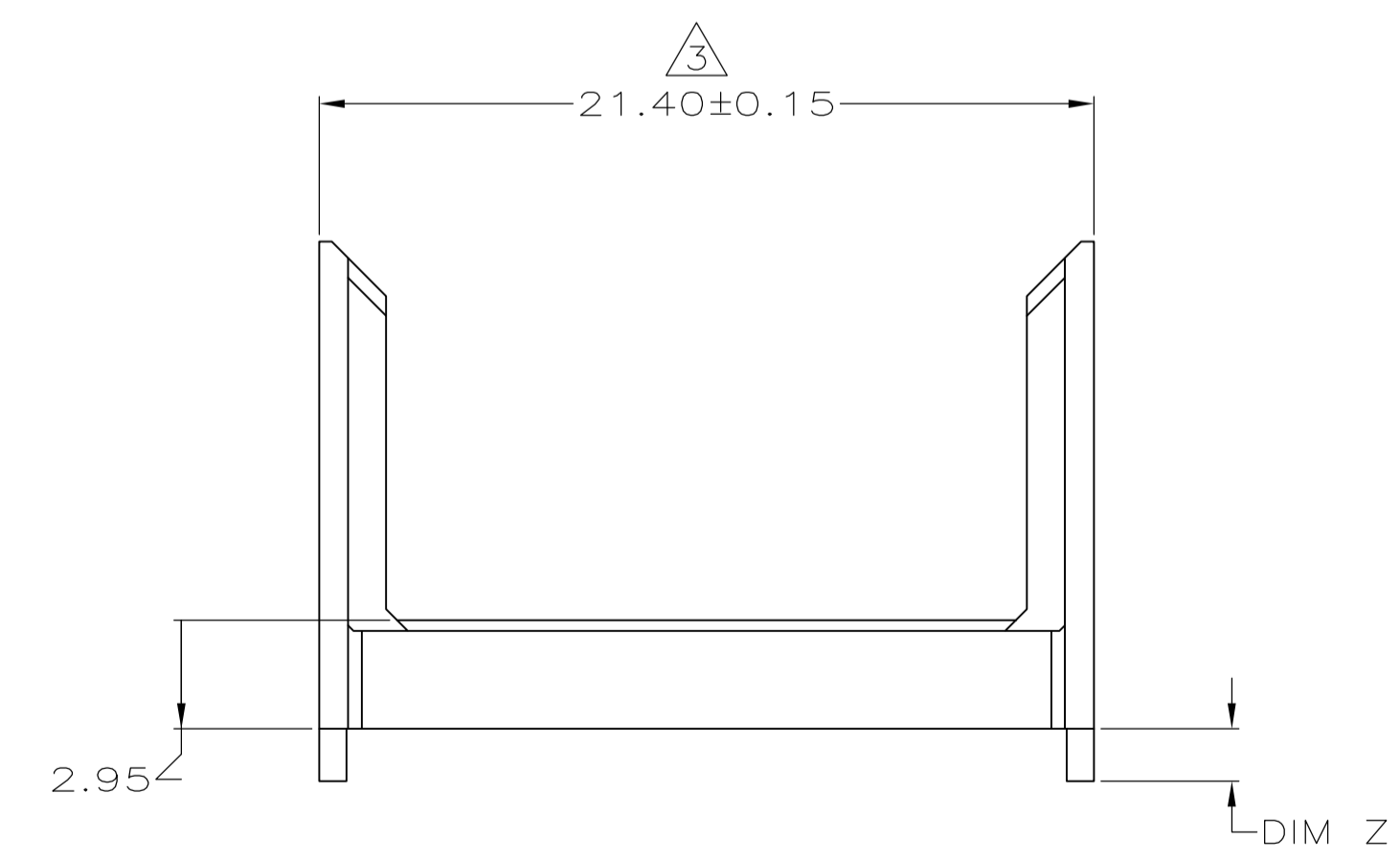
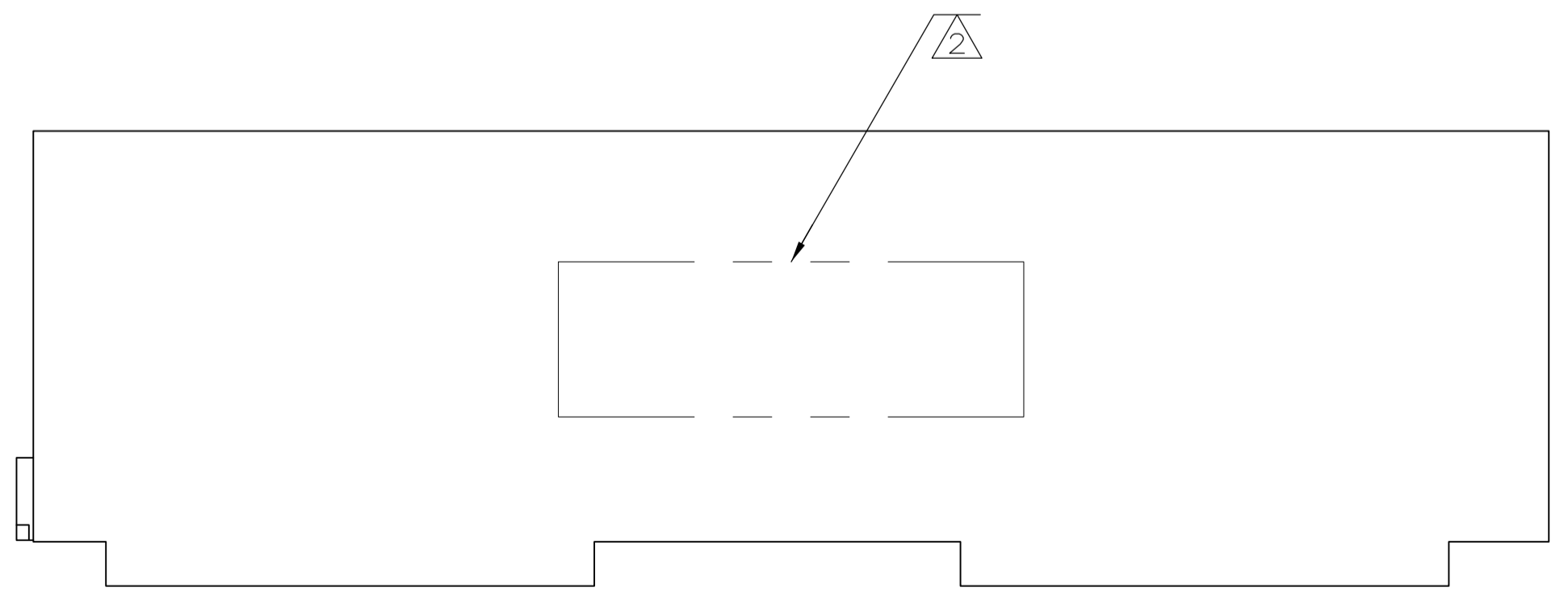
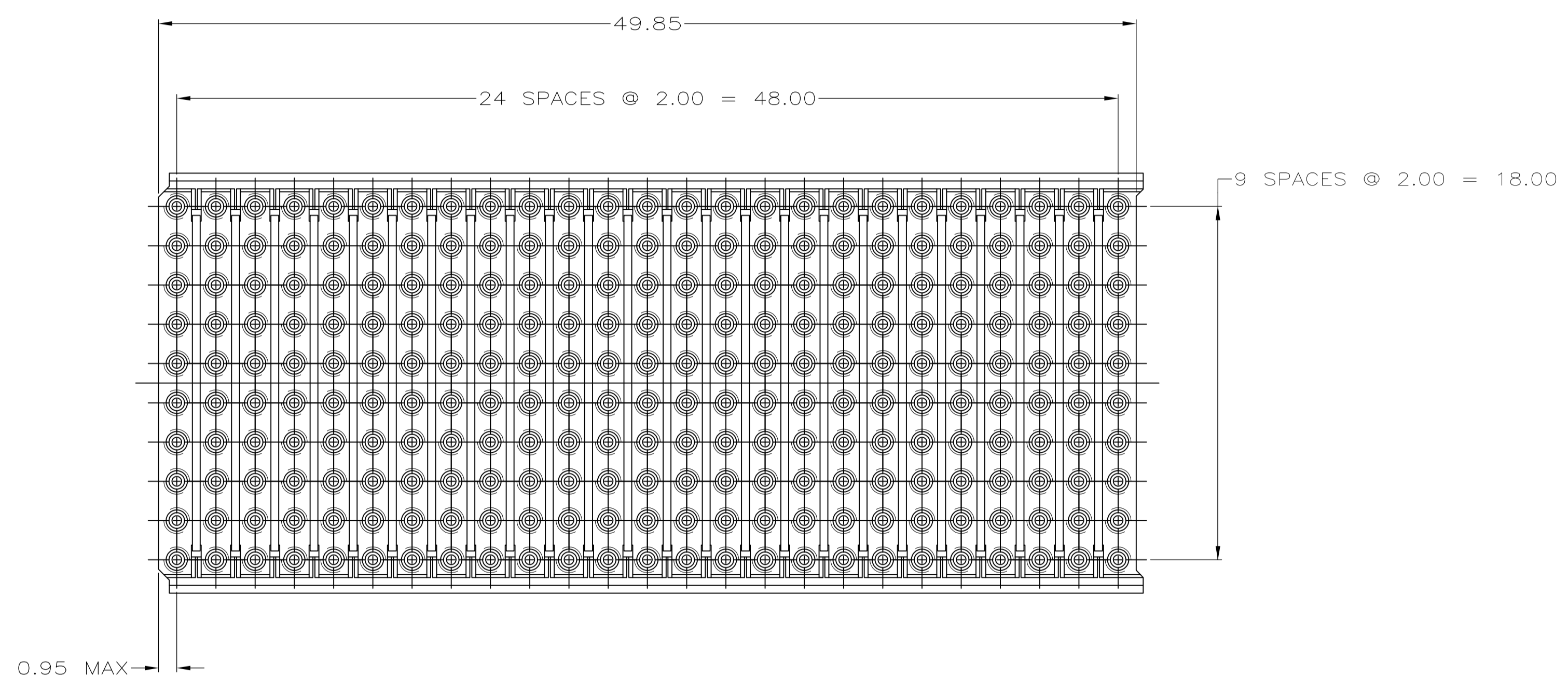
Address: A1208, Overseas Decoration Building, #122 Zhenhua RD., Futian, Shenzhen, China



LOC		DIST		REVISIONS			
P	LTR	DESCRIPTION	DATE	DMN	APVD		
E		REVISED PER EC-07-027626	28NOV07	DH	JE		
E1		REVISED PER ECO-09-024606	03OCT09	KK	AEG		
F		ECR-10-019054	15SEP10	DP	MQW		



- △ MATERIAL: GLASS FILLED POLYESTER.
- △ PART NUMBER MARKED IN APPROXIMATE AREA SHOWN. ADDITIONAL CHARACTERS OR MARKINGS, AS WELL AS THE LOCATION OF THE MARKINGS, MAY BE ADDED FOR TRACEABILITY BASED UPON MANUFACTURERS DISCRETION.
- △ TO BE MEASURED AT BASE OF SHROUD.
- △ OBSOLETE PARTS: OBSOLETE CIS STREAMLINING PER D.RENAUD/D.SINISI



DIM Z	PART NUMBER
1.90	646477-7
1.70	<del>646477-6</del>
1.50	<del>646477-5</del>
1.30	<del>646477-4</del>
1.10	646477-3
0.90	646477-2
-	646477-1
DIM Z	PART NUMBER

THIS DRAWING IS A CONTROLLED DOCUMENT.

DIMEN:	TOLERANCES UNLESS OTHERWISE SPECIFIED:	DIN	9-29-98	Tyco Electronics Corporation Harrisburg, Pa 17105-3608
mm	0-PLG ±	CHK	11-23-98	
	1-PLG ±	APVD	11-23-98	NAME: SHROUD,TYPE E,Z-PACK 2mm HM, 8 ROW,250 POSITION
	2-PLG ±	PRODUCT SPEC		
	3-PLG ±	APPLICATION SPEC		SIZE: A1
	4-PLG ±	WEIGHT		CAGE CODE: 00779
	ANGLES	CUSTOMER DRAWING		DRAWING NO: 646477
MATERIAL: △ 1	FINISH: -	SCALE: 5:1	SHEET 1 OF 1	REV F