



Chipsmall Limited consists of a professional team with an average of over 10 year of expertise in the distribution of electronic components. Based in Hongkong, we have already established firm and mutual-benefit business relationships with customers from,Europe,America and south Asia,supplying obsolete and hard-to-find components to meet their specific needs.

With the principle of “Quality Parts,Customers Priority,Honest Operation,and Considerate Service”,our business mainly focus on the distribution of electronic components. Line cards we deal with include Microchip,ALPS,ROHM,Xilinx,Pulse,ON,Everlight and Freescale. Main products comprise IC,Modules,Potentiometer,IC Socket,Relay,Connector.Our parts cover such applications as commercial,industrial, and automotives areas.

We are looking forward to setting up business relationship with you and hope to provide you with the best service and solution. Let us make a better world for our industry!



Contact us

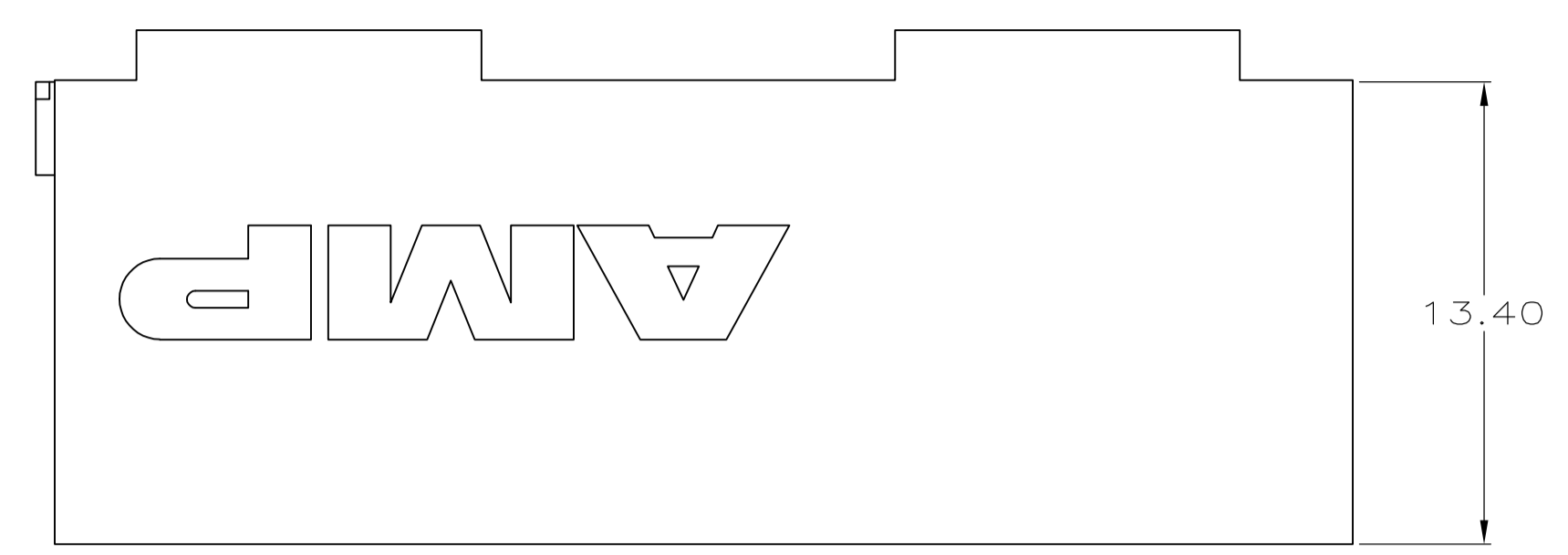
Tel: +86-755-8981 8866 Fax: +86-755-8427 6832

Email & Skype: info@chipsmall.com Web: www.chipsmall.com

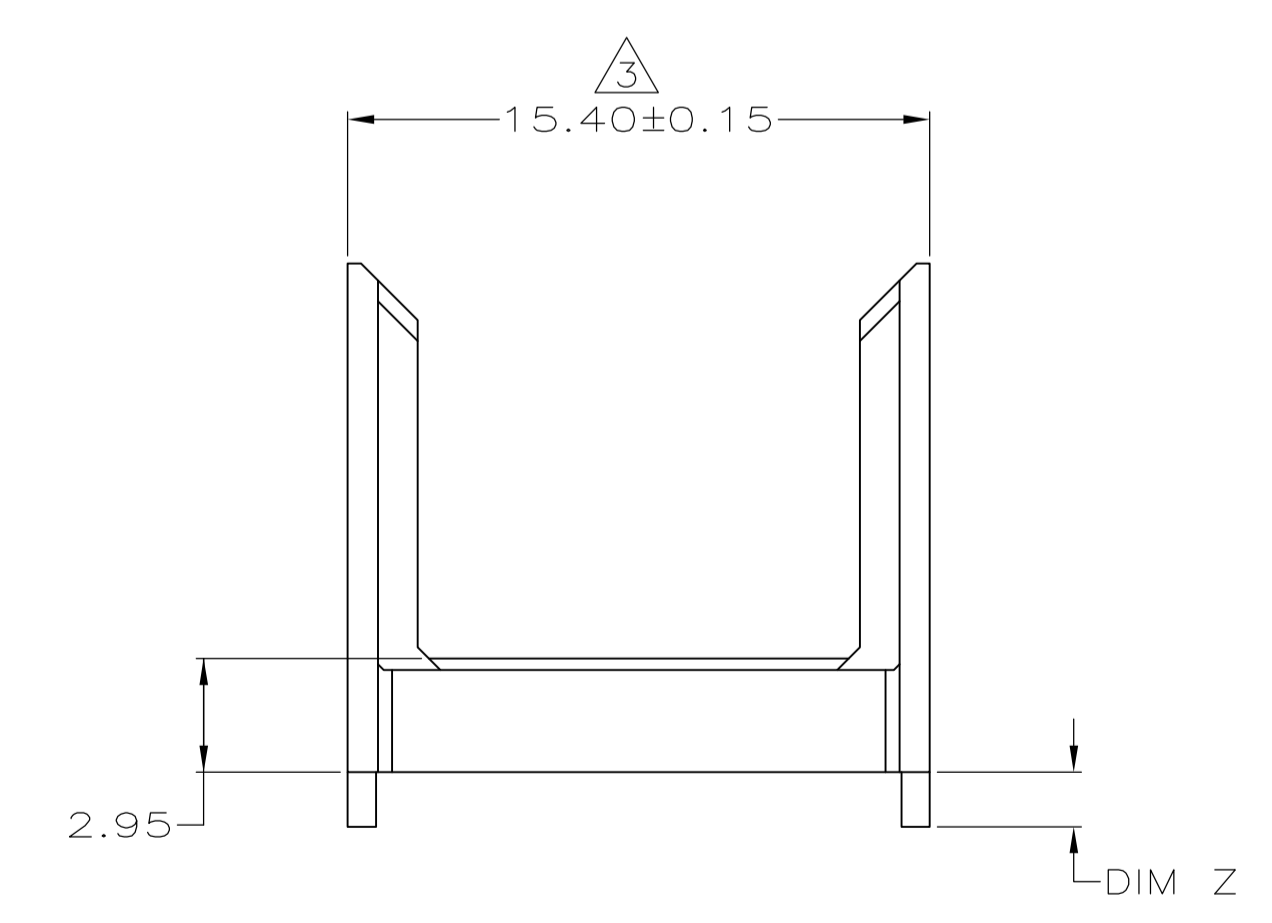
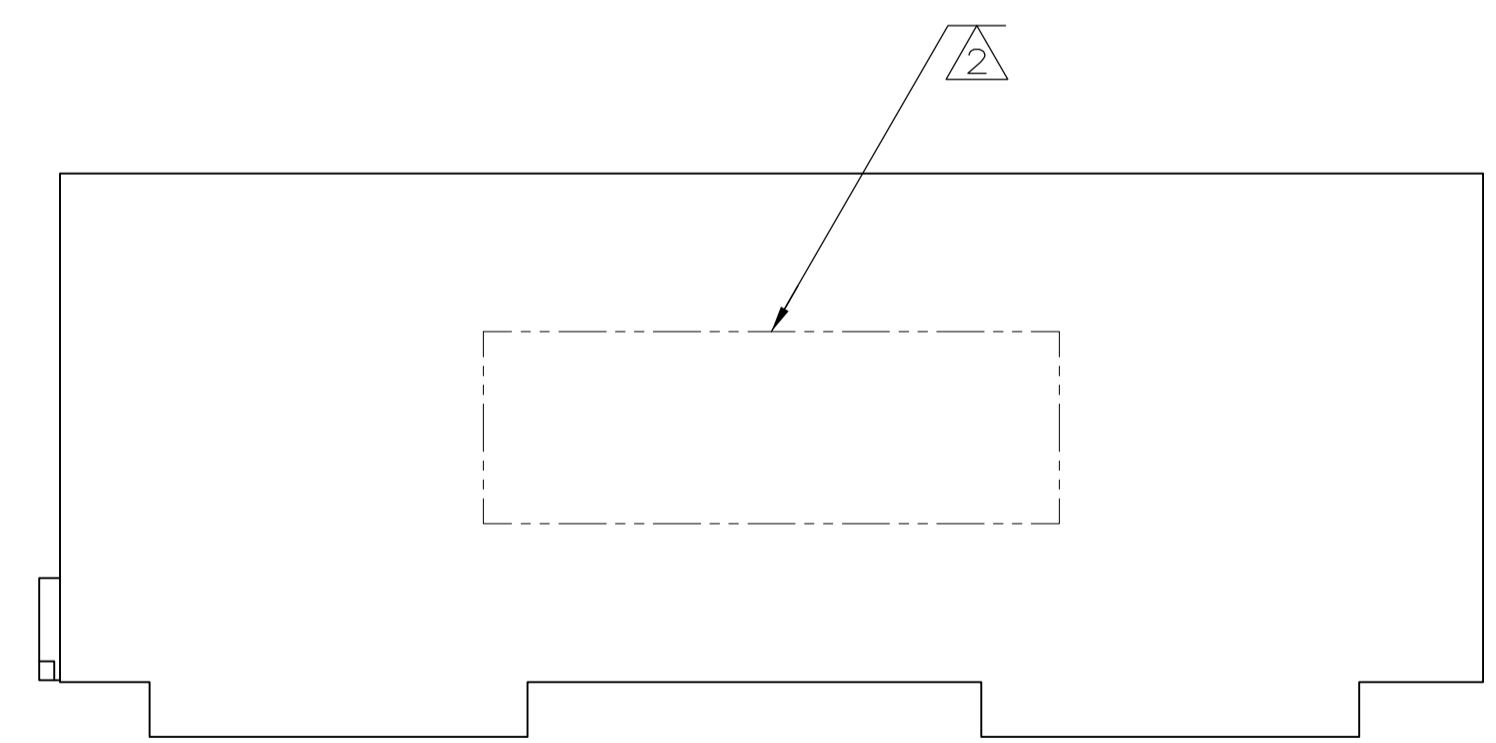
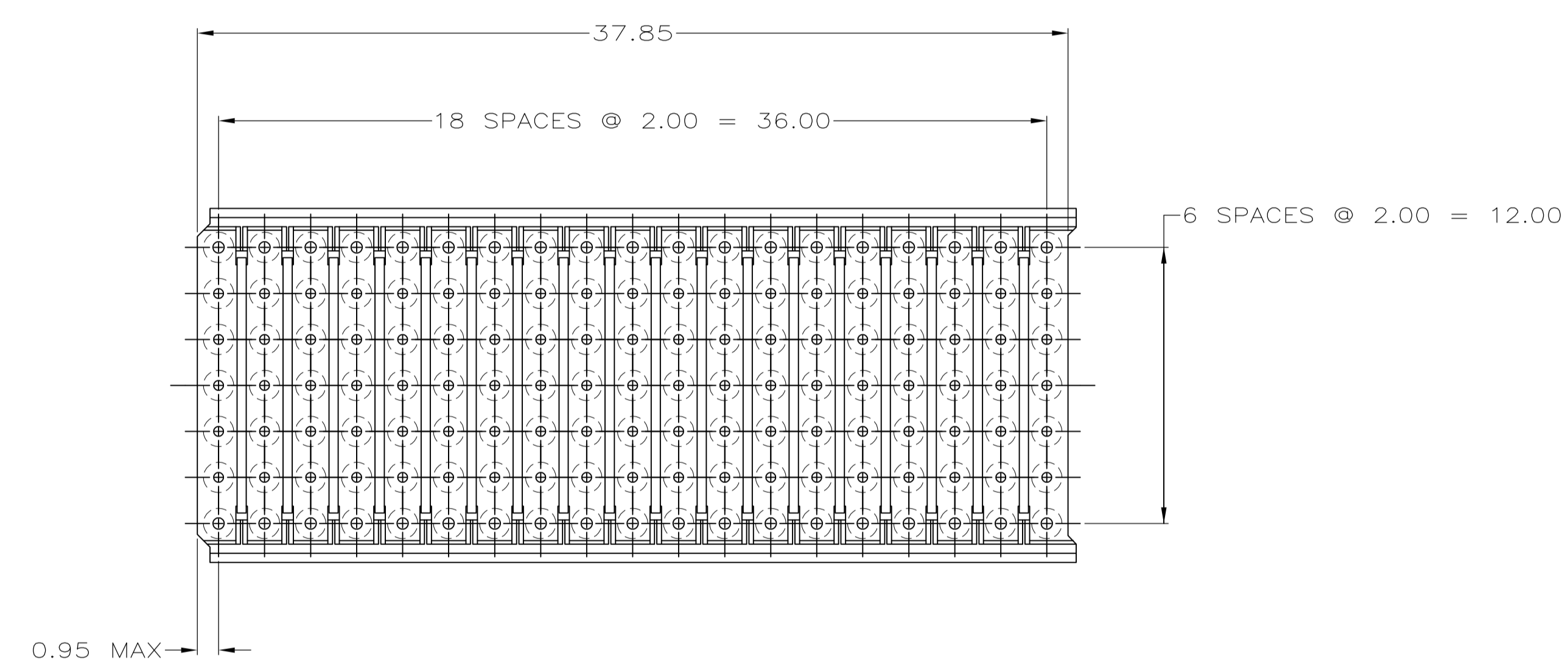
Address: A1208, Overseas Decoration Building, #122 Zhenhua RD., Futian, Shenzhen, China



LOC		DIST		REVISIONS			
AD	47	SP	LTR	DESCRIPTION	DATE	DWN	APVD
				D1 REVISED PER ECO-10-026111	22DEC10	RC	CW



- △ MATERIAL: GLASS FILLED POLYESTER.
- △ PART NUMBER MARKED IN APPROXIMATE AREA SHOWN.
- △ TO BE MEASURED AT BASE OF SHROUD.
- △ OBSOLETE PARTS: OBSOLETE CIS STREAMLINING PER D.RENAUD/D.SINISI



△ OBSOLETE	1.90	-646481-7
	1.70	646481-6
	1.50	646481-5
△ OBSOLETE	1.30	-646481-4
	1.10	-646481-3
△ OBSOLETE	0.90	-646481-2
		646481-1
	DIM Z	PART NUMBER

THIS DRAWING IS A CONTROLLED DOCUMENT

DIMENSIONS:	TOLERANCES UNLESS OTHERWISE SPECIFIED:	DWN	T. SHUEY	9-29-98	Tyco Electronics Tyco Electronics corporation Harrisburg, PA 17105-3608
mm	0-PLC ±	CHK	G. SKIPPER	11-23-98	
	1-PLC ±	APVD	G. SKIPPER	11-23-98	NAME SHROUD, TYPE B,Z-PACK 2mm HM, 5 ROW, 133 POSITION
	2-PLC ±0.05 ±0.2	PRODUCT SPEC			
	3-PLC ±	APPLICATION SPEC			SIZE
	4-PLC ±	WEIGHT			CAGE CODE
	ANGLES	CUSTOMER DRAWING			DRAWING NO
MATERIAL	FINISH				RESTRICTED TO
					A100779
					646481
					SCALE
					5:1
					SHEET
					1 OF 1
					REV
					D1