



Chipsmall Limited consists of a professional team with an average of over 10 year of expertise in the distribution of electronic components. Based in Hongkong, we have already established firm and mutual-benefit business relationships with customers from,Europe,America and south Asia,supplying obsolete and hard-to-find components to meet their specific needs.

With the principle of "Quality Parts,Customers Priority,Honest Operation,and Considerate Service",our business mainly focus on the distribution of electronic components. Line cards we deal with include Microchip,ALPS,ROHM,Xilinx,Pulse,ON,Everlight and Freescale. Main products comprise IC,Modules,Potentiometer,IC Socket,Relay,Connector.Our parts cover such applications as commercial,industrial, and automotives areas.

We are looking forward to setting up business relationship with you and hope to provide you with the best service and solution. Let us make a better world for our industry!



Contact us

Tel: +86-755-8981 8866 Fax: +86-755-8427 6832

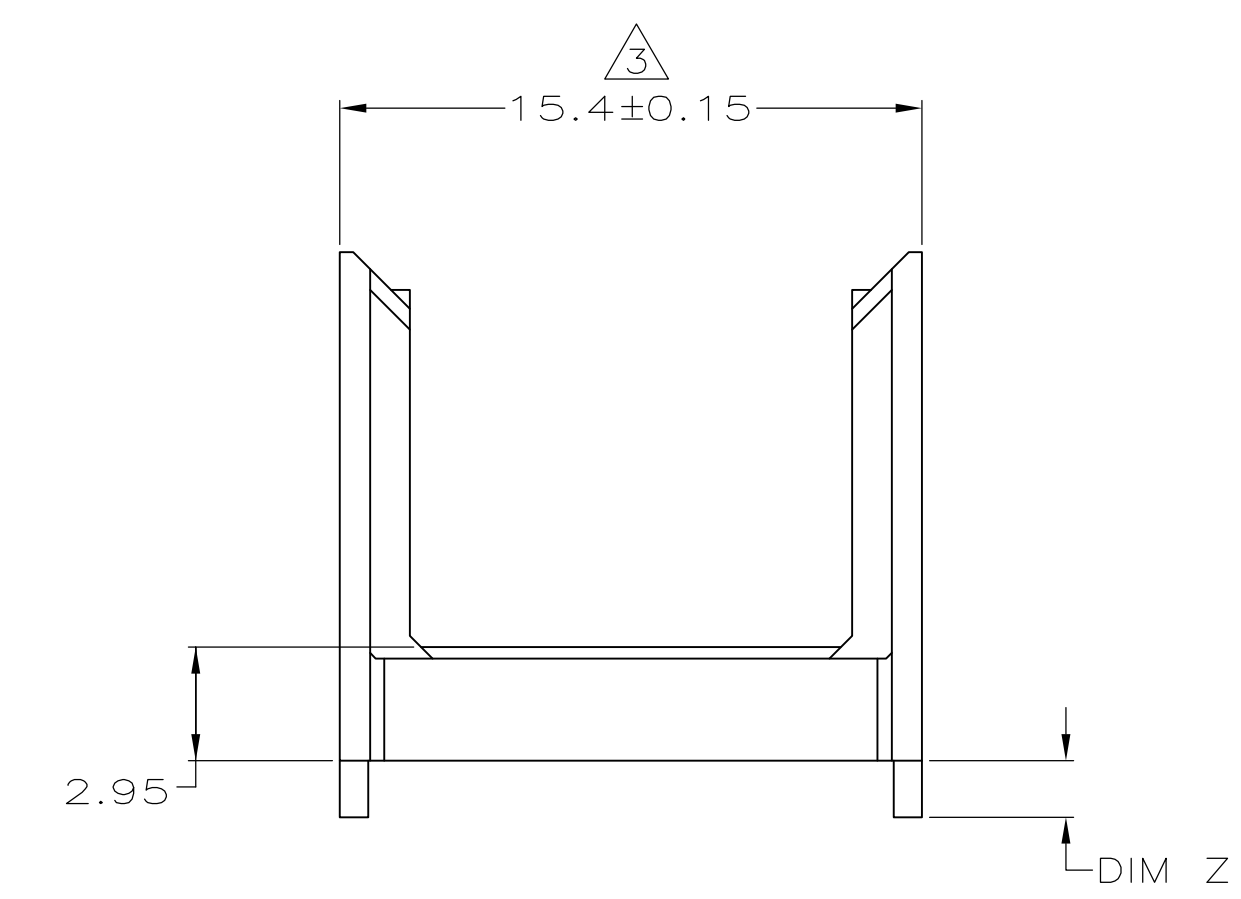
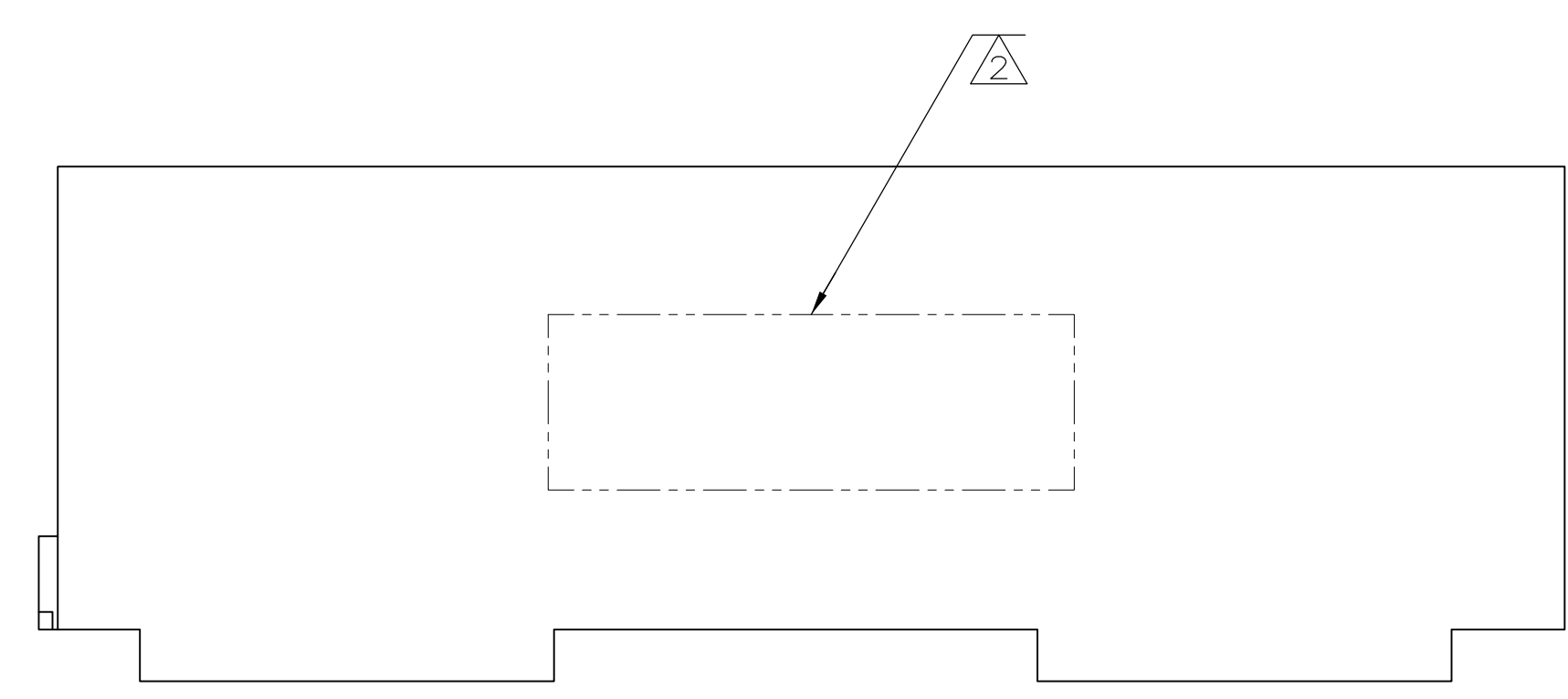
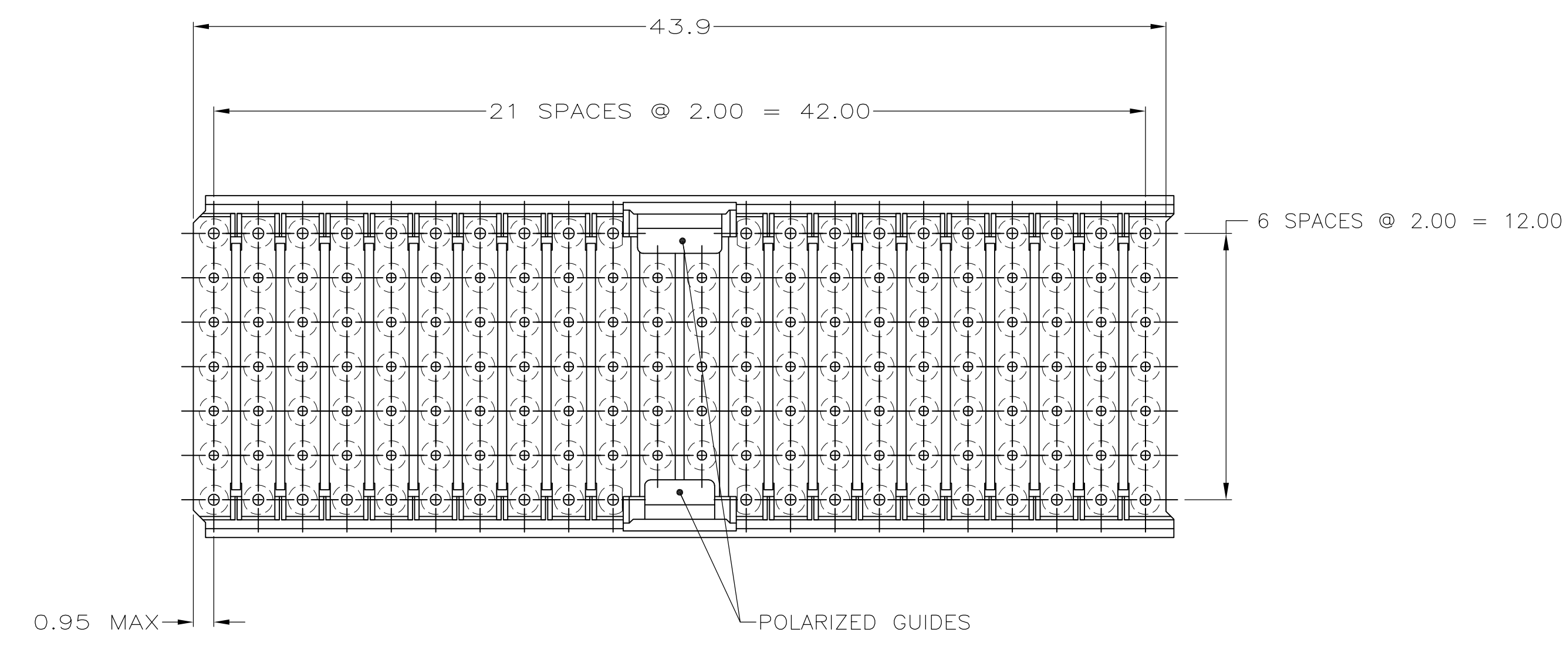
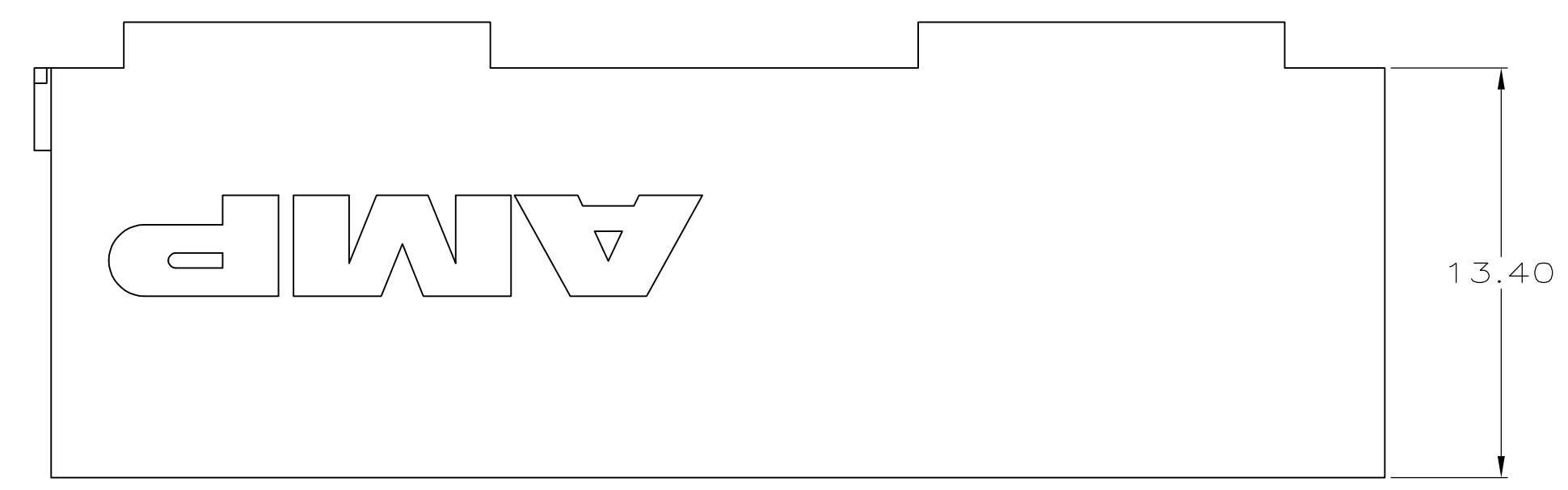
Email & Skype: info@chipsmall.com Web: www.chipsmall.com

Address: A1208, Overseas Decoration Building, #122 Zhenhua RD., Futian, Shenzhen, China



LOC		DIST		REVISIONS			
AD	47	REV	DATE	BY	CHK	APPV	
C		REV PER EC	0U1B-0192-01	27 JUN 01	BC	RP	
C1		REVISED PER ECO	10-000443	15JAN10	KK	AEG	
D		ECR	10-019054	15SEP10	DP	MQW	

- △1 MATERIAL: GLASS FILLED POLYESTER.
- △2 PART NUMBER MARKED IN APPROXIMATE AREA SHOWN.
- △3 TO BE MEASURED AT BASE OF SHROUD.
- △4 OBSOLETE PARTS: OBSOLETE CIS STREAMLINING PER D.RENAUD/D.SINIS



△ OBSOLETE	1.90	646484-7
	1.70	646484-6
	1.50	646484-5
	1.30	646484-4
△ OBSOLETE	1.10	646484-3
	0.90	646484-2
		646484-1
	DIM Z	PART NUMBER

THIS DRAWING IS A CONTROLLED DOCUMENT.

DIMENSIONS: mm	TOLERANCES UNLESS OTHERWISE SPECIFIED:	DWN: T. SHUEY 6-9-98	AMP Incorporated Harrisburg, PA 17105-3608
0-PLC ±	0-PLC ±	CHK: G. SKIPPER 11-23-98	
1-PLC ±0.1	1-PLC ±0.1	APPV: G. SKIPPER 11-23-98	NAME: SHROUD,A-B,Z-PACK 2mm HM,5 ROW, 150 POSITION,WITH GUIDE
2-PLC ±0.05	2-PLC ±0.05 ±0.2	PRODUCT SPEC	APPLICATION SPEC
3-PLC ±	3-PLC ±	SIZE	SCALE
4-PLC ±	4-PLC ±	WEIGHT	RESTRICTED TO
ANGLES ±	ANGLES ±	A100779	646484
MATERIAL: △1	FINISH	CUSTOMER DRAWING	SCALE: 5:1 SHEET 1 of 1 REV 0