



Chipsmall Limited consists of a professional team with an average of over 10 year of expertise in the distribution of electronic components. Based in Hongkong, we have already established firm and mutual-benefit business relationships with customers from,Europe,America and south Asia,supplying obsolete and hard-to-find components to meet their specific needs.

With the principle of “Quality Parts,Customers Priority,Honest Operation,and Considerate Service”,our business mainly focus on the distribution of electronic components. Line cards we deal with include Microchip,ALPS,ROHM,Xilinx,Pulse,ON,Everlight and Freescale. Main products comprise IC,Modules,Potentiometer,IC Socket,Relay,Connector.Our parts cover such applications as commercial,industrial, and automotives areas.

We are looking forward to setting up business relationship with you and hope to provide you with the best service and solution. Let us make a better world for our industry!



Contact us

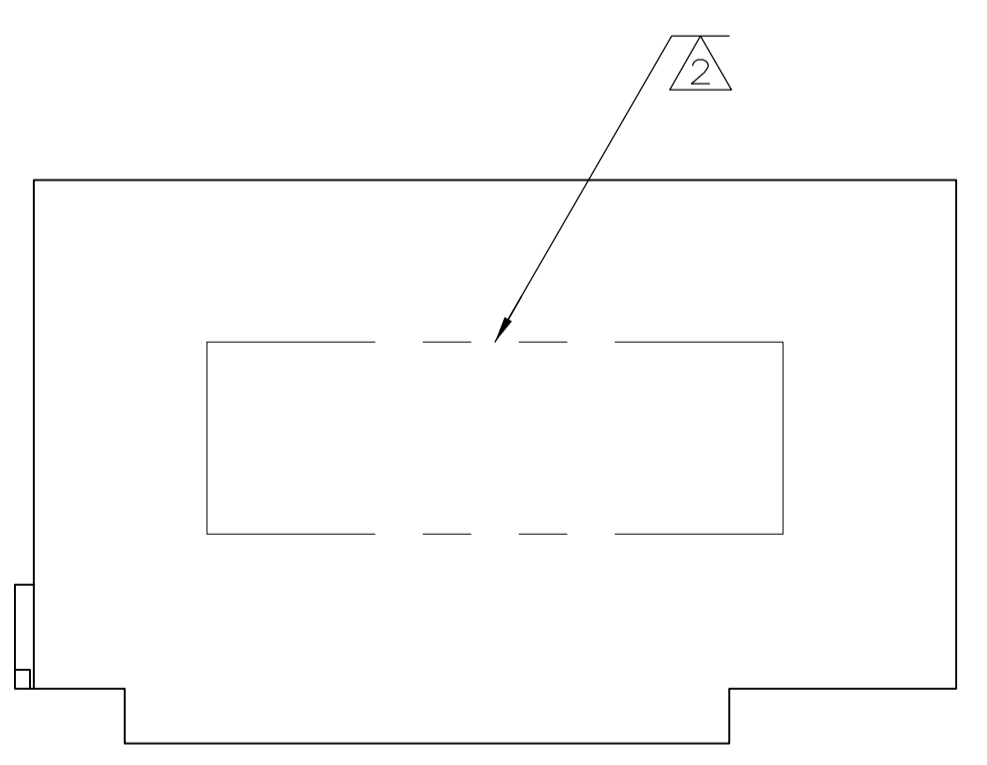
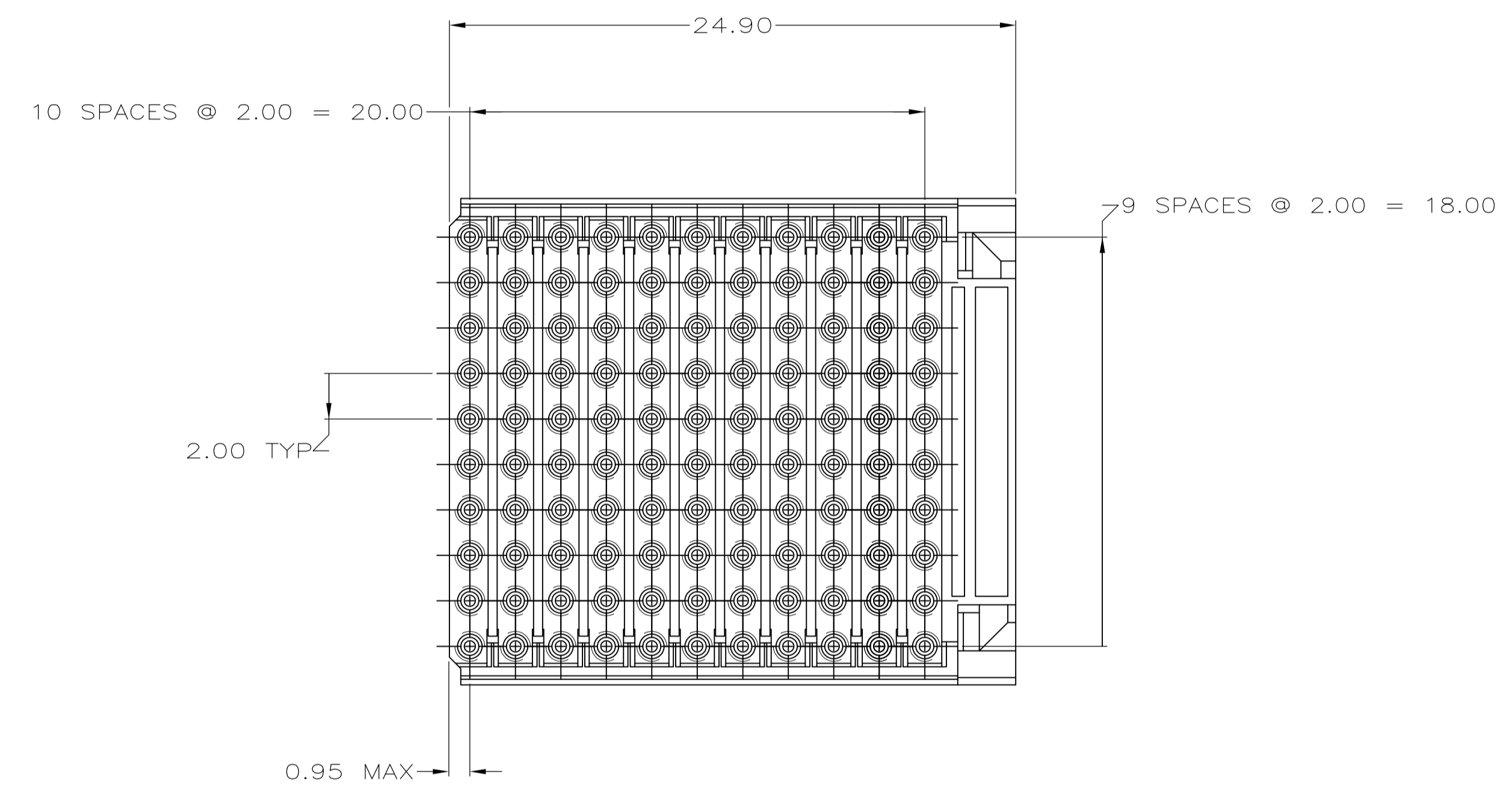
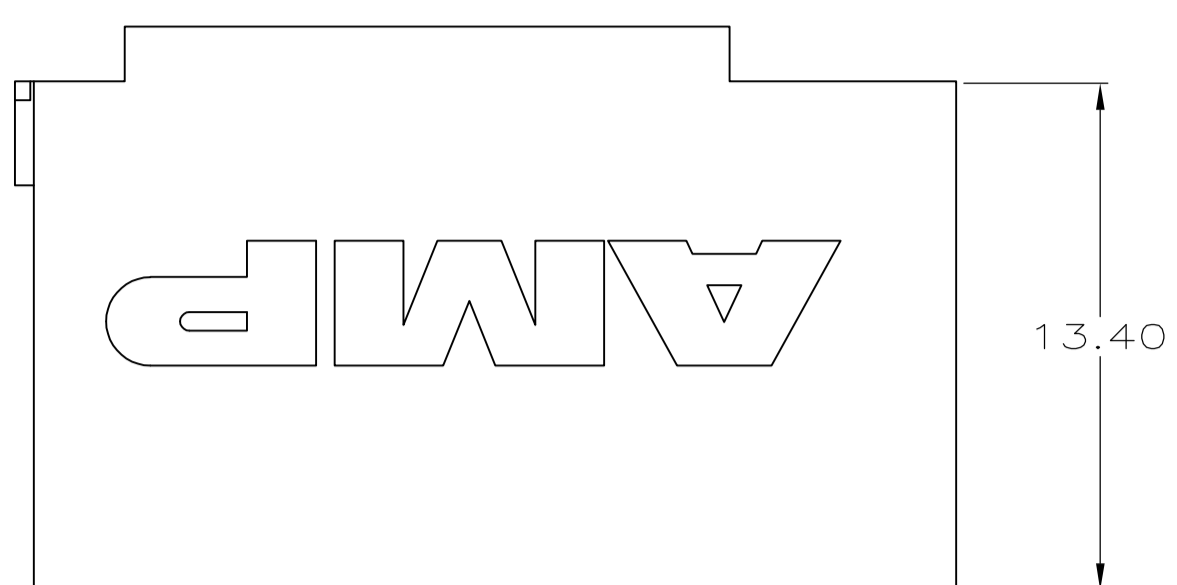
Tel: +86-755-8981 8866 Fax: +86-755-8427 6832

Email & Skype: info@chipsmall.com Web: www.chipsmall.com

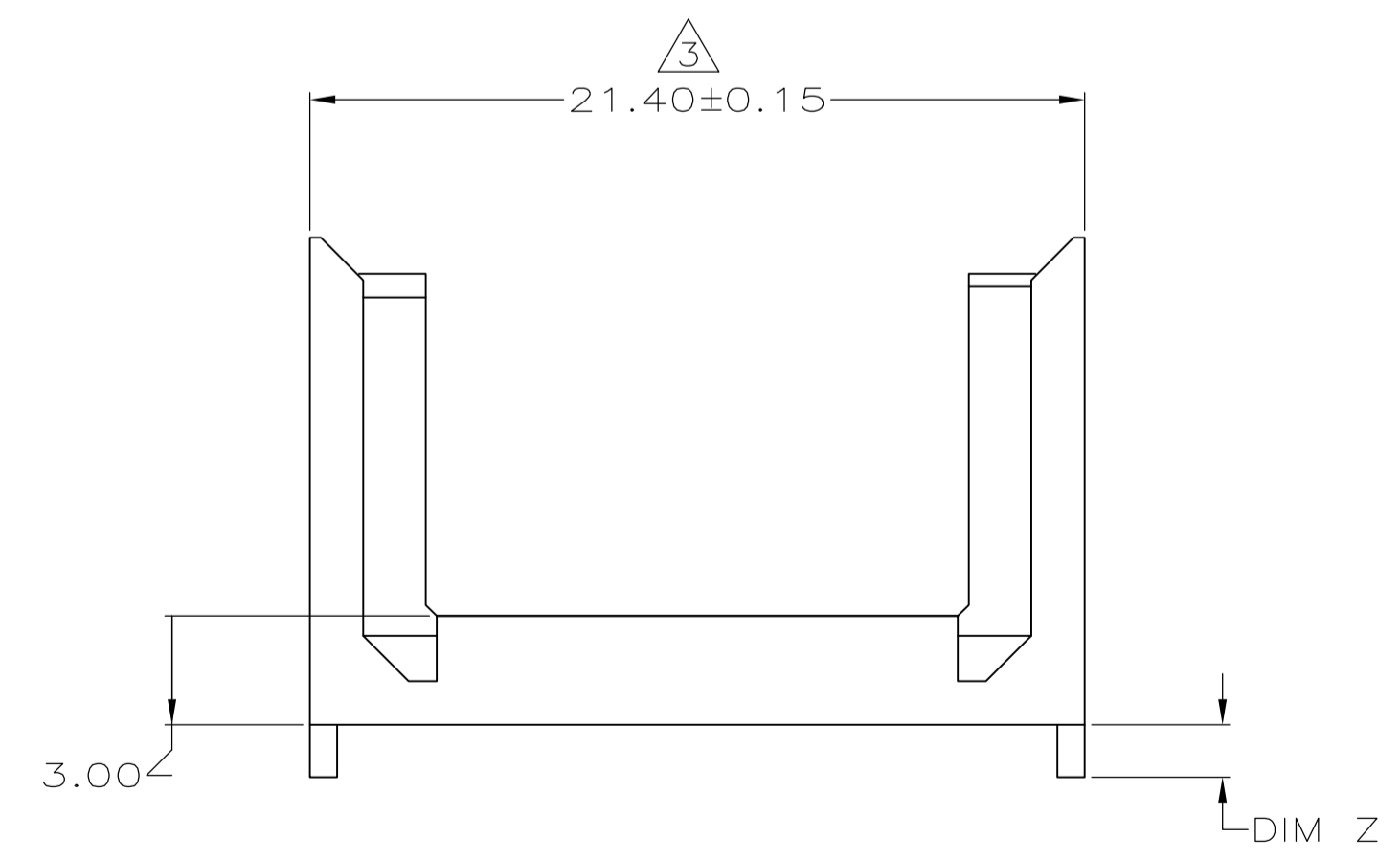
Address: A1208, Overseas Decoration Building, #122 Zhenhua RD., Futian, Shenzhen, China



LOC		DIST		REVISIONS			
AD	47	REV	DATE	BY	CHK	APPV	
C		REVISD PER ECO-07-027626	28NOV07	DH	JE		
C1		REVISD PER ECO-10-000443	16JAN10	KK	AEG		
D		ECR-10-019054	15SEP10	DP	MQW		



- 1 MATERIAL: GLASS FILLED POLYESTER.
- 2 PART NUMBER MARKED IN APPROXIMATE AREA SHOWN. ADDITIONAL CHARACTERS OR MARKINGS, AS WELL AS THE LOCATION OF THE MARKINGS, MAY BE ADDED FOR TRACEABILITY BASED UPON MANUFACTURERS DISCRETION.
- 3 TO BE MEASURED AT BASE OF SHROUD.
- 4 OBSOLETE PARTS: OBSOLETE CIS STREAMLINING PER D.RENAUD/D.SINISI



4	OBSOLETE	1.90	646525-7
		1.70	646525-6
4	OBSOLETE	1.50	646525-5
		1.30	646525-4
		1.10	646525-3
		0.90	646525-2
		-	646525-1
		DIM Z	PART NUMBER

THIS DRAWING IS A CONTROLLED DOCUMENT.		DIN T. SHUEY 2-9-99	Tyco Electronics Corporation Harrisburg, PA 17105-3608	
DIMENSIONS: mm		CHK R. PATTERSON 2-10-99	NAME R. PATTERSON	
TOLERANCES UNLESS OTHERWISE SPECIFIED:		APPV R. PATTERSON 2-10-99	PRODUCT SPEC	
0-PLC ±		APPLICATION SPEC		
1-PLC ±		SIZE		
2-PLC ± 0.05 ± 0.2		CAGE CODE		
3-PLC ±		DRAWING NO		
4-PLC ±		RESTRICTED TO		
ANGLES ±		WEIGHT		
MATERIAL 1		A1 00779 C=646525		
FINISH		CUSTOMER DRAWING		
		SCALE 5:1 SHEET 1 of 1 REV D		