



Chipsmall Limited consists of a professional team with an average of over 10 year of expertise in the distribution of electronic components. Based in Hongkong, we have already established firm and mutual-benefit business relationships with customers from,Europe,America and south Asia,supplying obsolete and hard-to-find components to meet their specific needs.

With the principle of "Quality Parts,Customers Priority,Honest Operation,and Considerate Service",our business mainly focus on the distribution of electronic components. Line cards we deal with include Microchip,ALPS,ROHM,Xilinx,Pulse,ON,Everlight and Freescale. Main products comprise IC,Modules,Potentiometer,IC Socket,Relay,Connector.Our parts cover such applications as commercial,industrial, and automotives areas.

We are looking forward to setting up business relationship with you and hope to provide you with the best service and solution. Let us make a better world for our industry!



Contact us

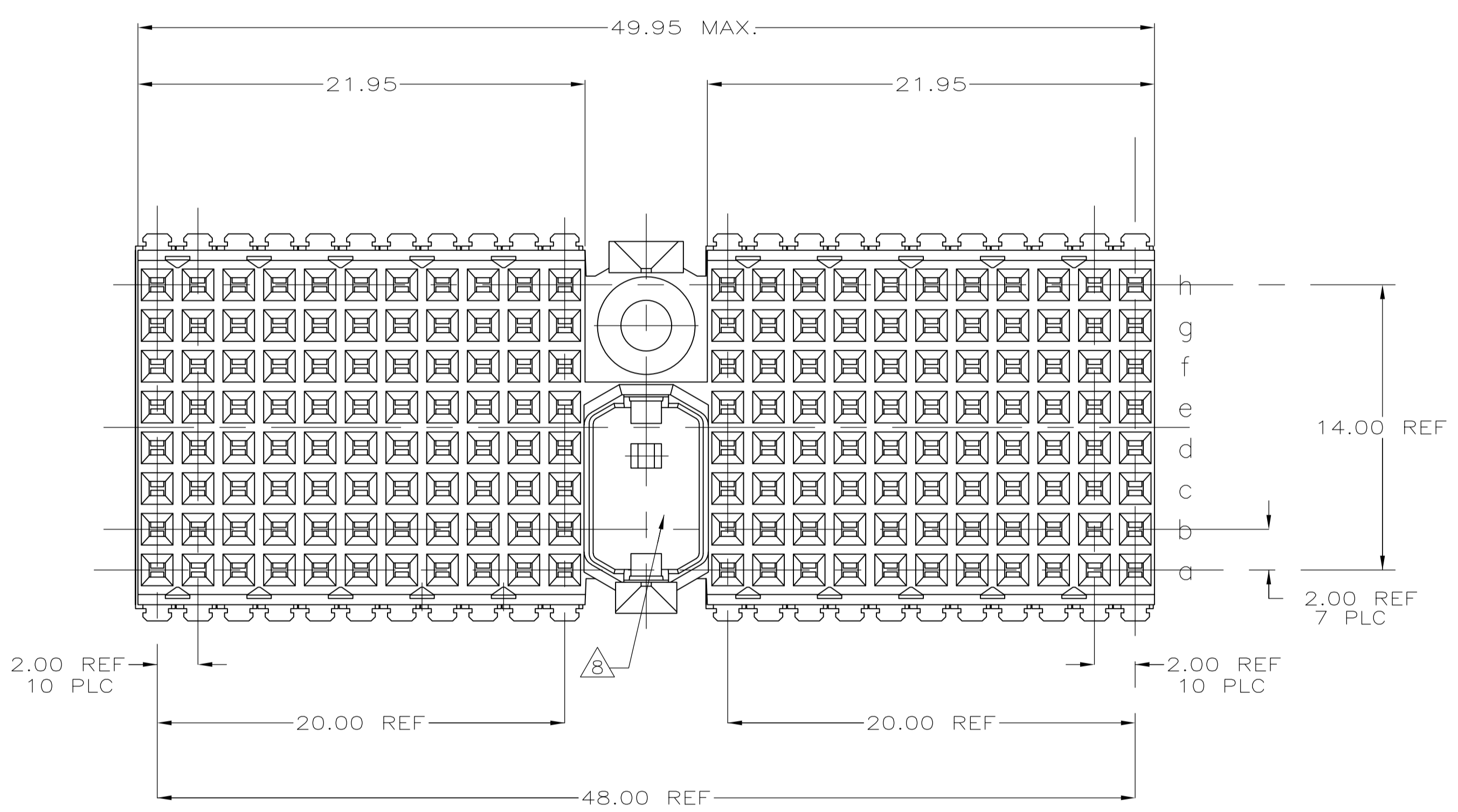
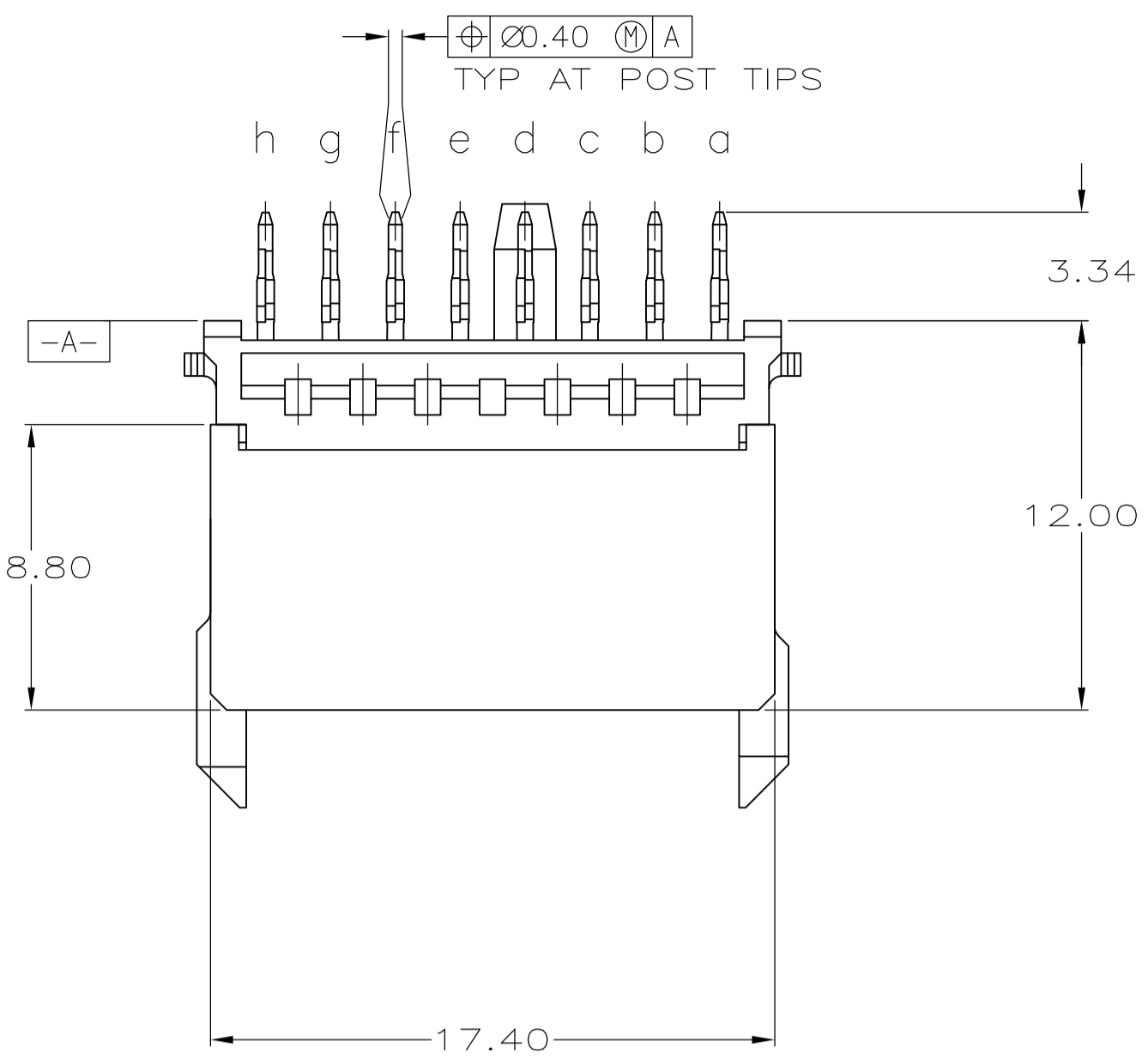
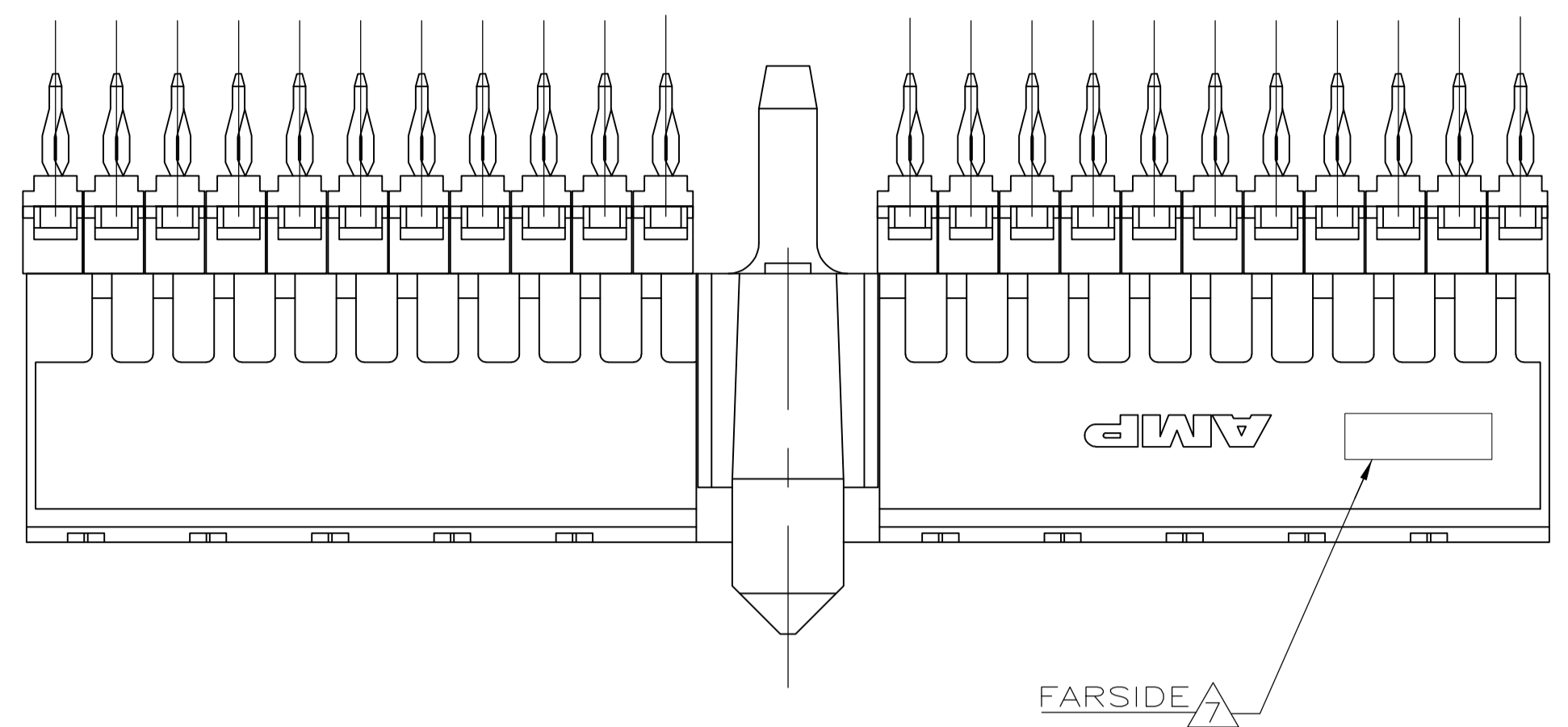
Tel: +86-755-8981 8866 Fax: +86-755-8427 6832

Email & Skype: info@chipsmall.com Web: www.chipsmall.com

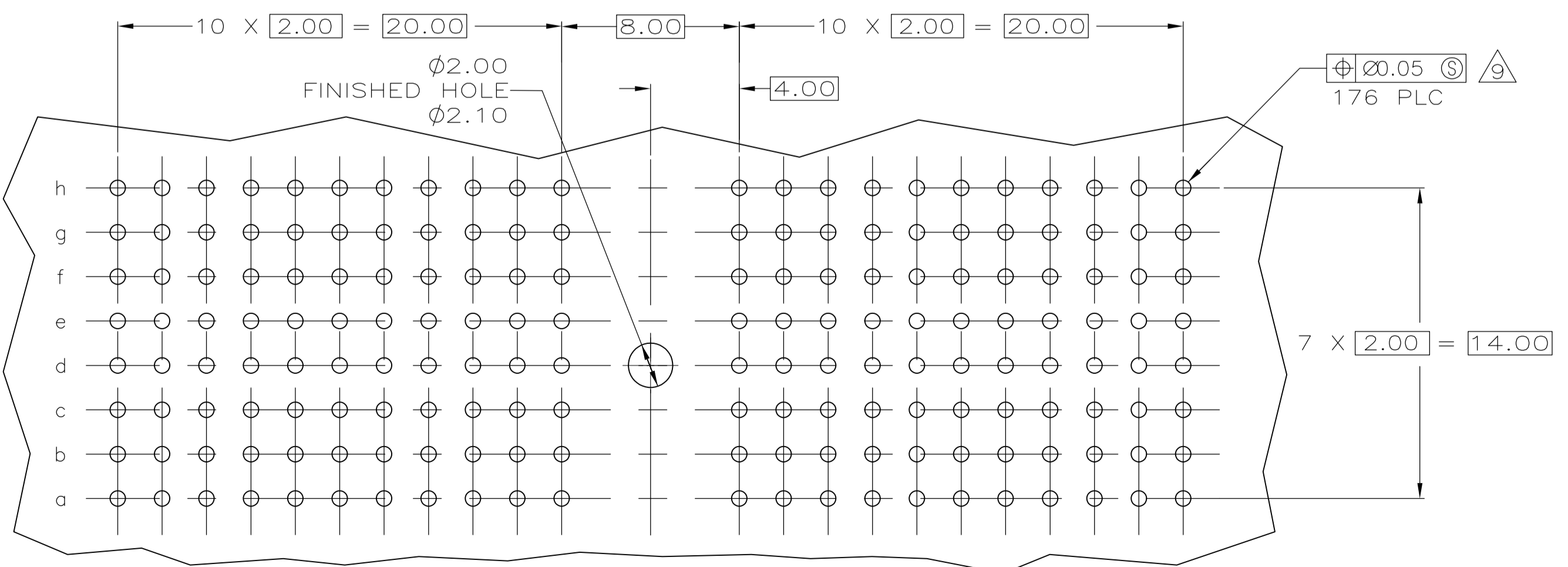
Address: A1208, Overseas Decoration Building, #122 Zhenhua RD., Futian, Shenzhen, China



| LOC | | DIST | | REVISIONS | | | |
|-----|----|---------------|---------------|-----------|----|--------|--|
| AD | 00 | REV | DESCRIPTION | DATE | BY | APPROV | |
| C1 | | REV PER | ECO-10-000443 | 16JAN10 | KK | AEG | |
| D | | ECO-10-019054 | | 15SEP10 | DP | MQW | |
| E | | ECO-11-024491 | | 13DEC11 | SY | MQW | |
| F | | ECO-12-010544 | | 06NOV12 | SY | AC | |



- 1 MATERIAL:
CONTACT: PHOSPHOR BRONZE.
HOUSING: GLASS-FILLED POLYESTER.
- 2 GENERAL PLATING SPECIFICATION: UNDERPLATING (ENTIRE CONTACT): 1.27μm MIN NICKEL AND ACTION PIN: 0.5μm MIN TIN LEAD. FOR PLATING OF MATING SURFACES SEE APPLICABLE SPECIFICATION REFERENCE FOR EACH DASH NUMBER.
- 3 CONFORMS TO ALL TESTING ACCORDING TO IEC 61076-4-101 PERFORMANCE LEVEL 2.
- 4 CONFORMS TO ALL TESTING ACCORDING TO IEC 61076-4-101 PERFORMANCE LEVEL 1.
- 5 CONNECTOR TESTED AND QUALIFIED AGAINST TELCORDIA GR-1217-CORE QUALITY LEVEL 3, CENTRAL OFFICE APPLICATIONS.
- 6 CONNECTOR TESTED AND QUALIFIED AGAINST TELCORDIA GR-1217-CORE QUALITY LEVEL 3, UNCONTROLLED ENVIROMENT APPLICATIONS.
- 7 CONNECTOR MARKED WITH PART NUMBER AND DATE CODE. ADDITIONAL CHARACTERS OR MARKINGS, AS WELL AS THE LOCATION OF THE MARKINGS, MAY BE ADDED FOR TRACEABILITY BASED UPON MANUFACTURERS DISCRETION.
- 8 AREA RESERVED FOR KEYING PART (BASIC P.N. 100526).
- 9 PLATED-THROUGH HOLES AT 2x2mm SQUARE GRID 176 HOLES.
- 10 CONNECTOR LUBRICATED WITH BELCORE APPROVED LUBRICANT, TECHNICAL REFERENCE: TR-NWT-001217 ISSUE 1, SEP 1992.
- 11 OBSOLETE PARTS: OBSOLETE CIS STREAMLINING PER D.RENAUD/D.SINISI



PLATED THRU HOLES PARAMETERS
 REFERENCE APPLICATION SPECIFICATION

| | | | |
|--------|----------|--------|-------------|
| 11 | OBSOLETE | 2/5/10 | 1-646538-9 |
| | OBSOLETE | 2/5/10 | -646538-9- |
| 11 | OBSOLETE | 2/4 | -646538-4- |
| | | 2/3 | 646538-1 |
| FINISH | | | PART NUMBER |

THIS DRAWING IS A CONTROLLED DOCUMENT.

| | | | | |
|------------------|--|----------------------|-----------------------------|--|
| DIMENSIONS: mm | TOLERANCES UNLESS OTHERWISE SPECIFIED: | DIN B. CARBO 06DEC05 | APPROVED G. SKIPPER 06DEC05 | Tyco Electronics Corporation Harrisburg, PA 17105-3608 |
| 0-PLC ± | 1-PLC ± | 2-PLC ± 0.13 | 3-PLC ± | 4-PLC ± |
| MATERIAL 1 | | FINISH SEE TABLE | WEIGHT | RESTRICTED TO |
| CUSTOMER DRAWING | | SCALE 5:1 | SHEET 1 of 1 | REV F |

NAME: RECEPTACLE ASSEMBLY, VERTICAL, 176 POSN., TYPE D, 8 ROW, Z-PACK 2mm HM
 SIZE: A1
 CAGE CODE: 00779
 DRAWING NO: 108-1622
 APPLICATION SPEC: 114-19029
 FINISH: 646538