



Chipsmall Limited consists of a professional team with an average of over 10 year of expertise in the distribution of electronic components. Based in Hongkong, we have already established firm and mutual-benefit business relationships with customers from,Europe,America and south Asia,supplying obsolete and hard-to-find components to meet their specific needs.

With the principle of “Quality Parts,Customers Priority,Honest Operation,and Considerate Service”,our business mainly focus on the distribution of electronic components. Line cards we deal with include Microchip,ALPS,ROHM,Xilinx,Pulse,ON,Everlight and Freescale. Main products comprise IC,Modules,Potentiometer,IC Socket,Relay,Connector.Our parts cover such applications as commercial,industrial, and automotives areas.

We are looking forward to setting up business relationship with you and hope to provide you with the best service and solution. Let us make a better world for our industry!



Contact us

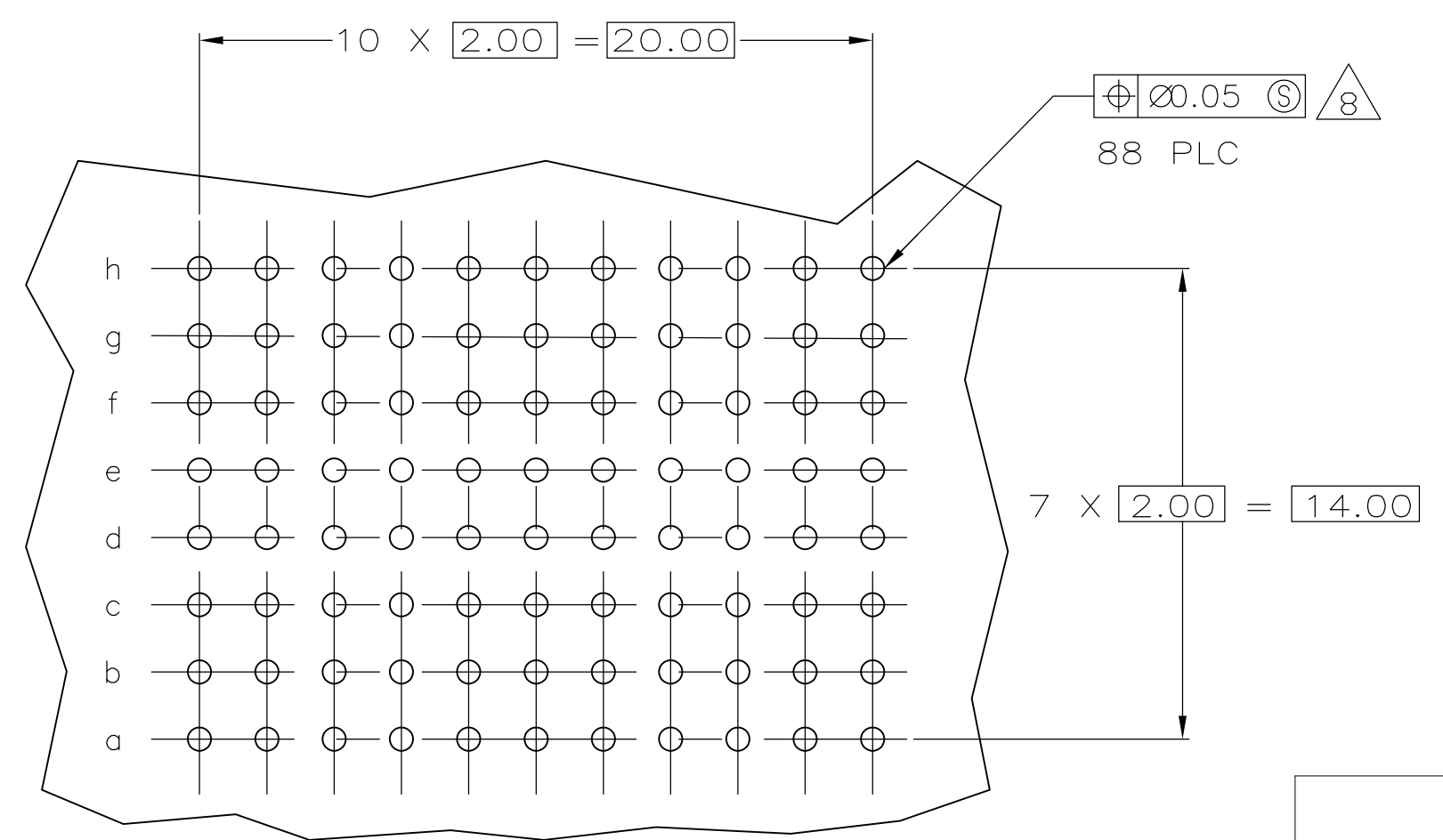
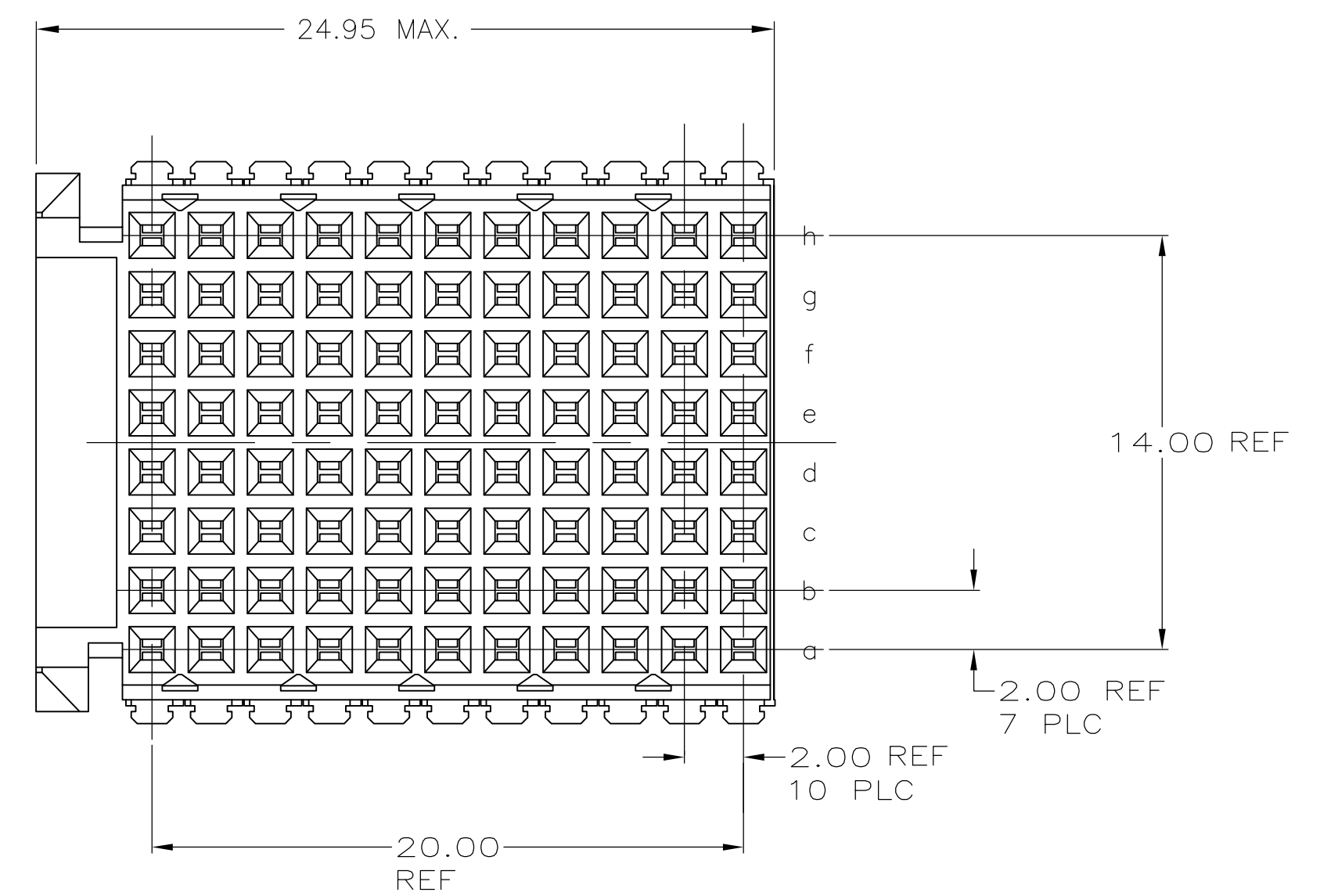
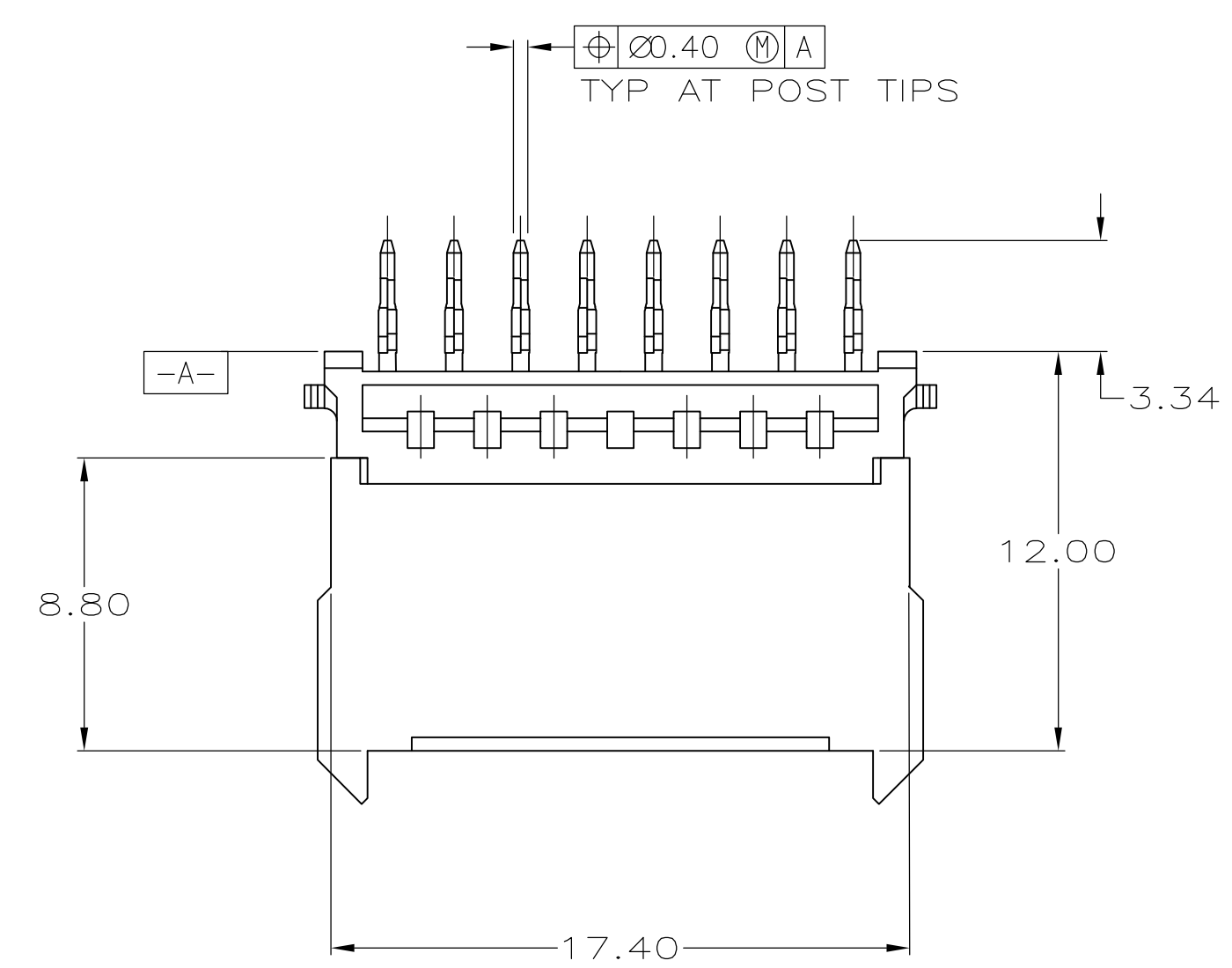
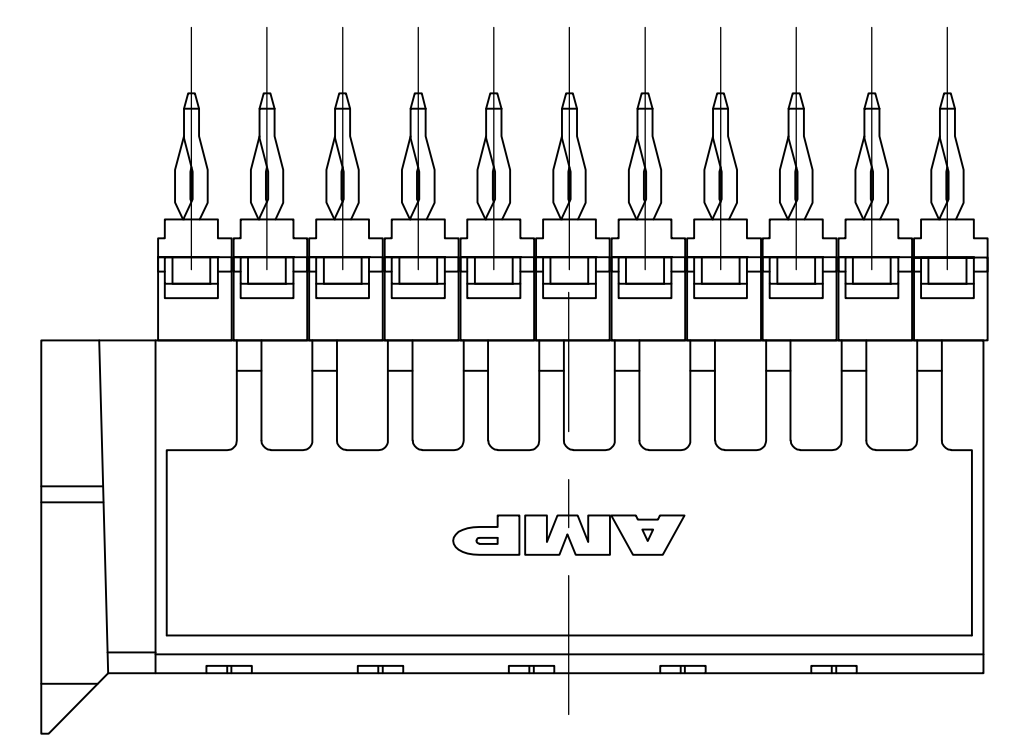
Tel: +86-755-8981 8866 Fax: +86-755-8427 6832

Email & Skype: info@chipsmall.com Web: www.chipsmall.com

Address: A1208, Overseas Decoration Building, #122 Zhenhua RD., Futian, Shenzhen, China



LOC		DIST		REVISIONS			
AD	00	REV	DATE	BY	CHK	APPV	
D2		REVISED PER ECO-09-021826	07JAN10	KK		AEG	
E		ECR-10-019054	15SEP10	DP		MQW	
F		ECO-11-024491	13DEC11	SY		MQW	
G		ECR-12-009867	07NOV12	SY		AC	



RECOMMENDED PCB HOLE LAYOUT
 COMPONENT SIDE SHOWN

PLATED THRU HOLES PARAMETERS
 REFERENCE APPLICATION SPECIFICATION

- 1 MATERIAL:
 CONTACT: PHOSPHOR BRONZE.
 HOUSING: GLASS-FILLED POLYESTER.
- 2 GENERAL PLATING SPECIFICATION: UNDERPLATING
 (ENTIRE CONTACT): 1.27µm MIN NICKEL AND ACTION
 PIN: 0.5µm MIN TIN.
 FOR PLATING OF MATING SURFACES SEE APPLICABLE
 SPECIFICATION REFERENCE FOR EACH DASH NUMBER.
- 3 CONFORMS TO ALL TESTING ACCORDING TO IEC 61076-4-101
 PERFORMANCE LEVEL 2.
- 4 CONFORMS TO ALL TESTING ACCORDING TO IEC 61076-4-101
 PERFORMANCE LEVEL 1.
- 5 CONNECTOR TESTED AND QUALIFIED AGAINST TELCORDIA GR-1217-CORE QUALITY LEVEL 3,
 CENTRAL OFFICE APPLICATIONS.
- 6 CONNECTOR TESTED AND QUALIFIED AGAINST TELCORDIA GR-1217-CORE QUALITY LEVEL 3,
 UNCONTROLLED ENVIROMENT APPLICATIONS.
- 7 PART NUMBER MARKED IN APPROXIMATE AREA SHOWN.
 ADDITIONAL CHARACTERS OR MARKINGS, AS WELL AS THE LOCATION OF THE MARKINGS,
 MAY BE ADDED FOR TRACEABILITY BASED ON MANUFACTURERS DISCRETION.
- 8 PLATED THROUGH HOLES AT 2X2mm SQUARE GRID (88 HOLES).
- 9 CONNECTOR LUBRICATED WITH BELCORE APPROVED LUBRICANT,
 TECHNICAL REFERENCE: TR-NWT-001217 ISSUE 1, SEP 1992.
- 10 OBSOLETE PARTS: OBSOLETE CIS STREAMLINING PER D.RENAUD/D.SINISI

10	OBSOLETE	2	6	9	4-646540-9
10	OBSOLETE	2	5	9	-646540-9-
10	OBSOLETE	2	4	9	-646540-4-
		2	3		646540-1
FINISH					PART NUMBER

THIS DRAWING IS A CONTROLLED DOCUMENT.

DIMENSIONS:	TOLERANCES UNLESS OTHERWISE SPECIFIED:	DIN K. STILES 10/12/98	Tyco Electronics Corporation
mm	0-PLC ±	CHK S. MICKIEWICZ 10/12/98	Harrisburg, PA 17105-3608
	1-PLC ±	APVD	NAME
	2-PLC ± 0.13	PRODUCT SPEC	RECEPTACLE ASSEMBLY, VERTICAL, 88 POSN.,
	3-PLC ±	108-1622	TYPE F, 8 ROW, Z-PACK 2mm HM
	4-PLC ±	APPLICATION SPEC	SIZE CAGE CODE DRAWING NO
	ANGLES	114-19029	A1 00779 C=646540
MATERIAL	FINISH	WEIGHT	RESTRICTED TO
1	SEE TABLE	—	—
CUSTOMER DRAWING		SCALE 5:1	SHEET 1 OF 1 REV G