



Chipsmall Limited consists of a professional team with an average of over 10 year of expertise in the distribution of electronic components. Based in Hongkong, we have already established firm and mutual-benefit business relationships with customers from,Europe,America and south Asia,supplying obsolete and hard-to-find components to meet their specific needs.

With the principle of “Quality Parts,Customers Priority,Honest Operation,and Considerate Service”,our business mainly focus on the distribution of electronic components. Line cards we deal with include Microchip,ALPS,ROHM,Xilinx,Pulse,ON,Everlight and Freescale. Main products comprise IC,Modules,Potentiometer,IC Socket,Relay,Connector.Our parts cover such applications as commercial,industrial, and automotives areas.

We are looking forward to setting up business relationship with you and hope to provide you with the best service and solution. Let us make a better world for our industry!



## Contact us

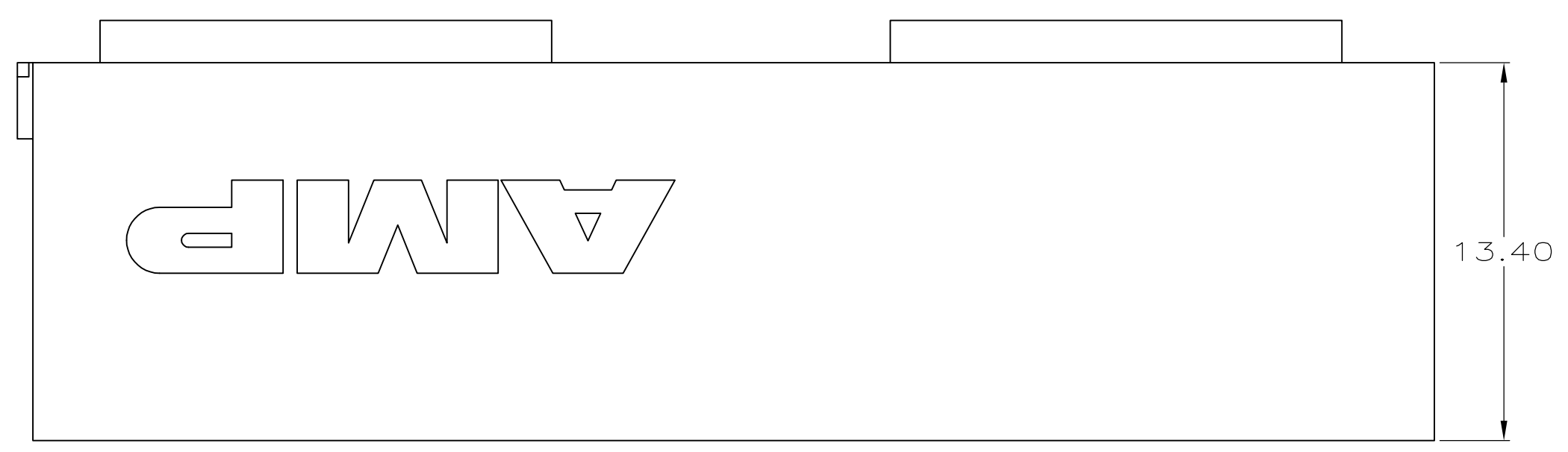
Tel: +86-755-8981 8866 Fax: +86-755-8427 6832

Email & Skype: info@chipsmall.com Web: www.chipsmall.com

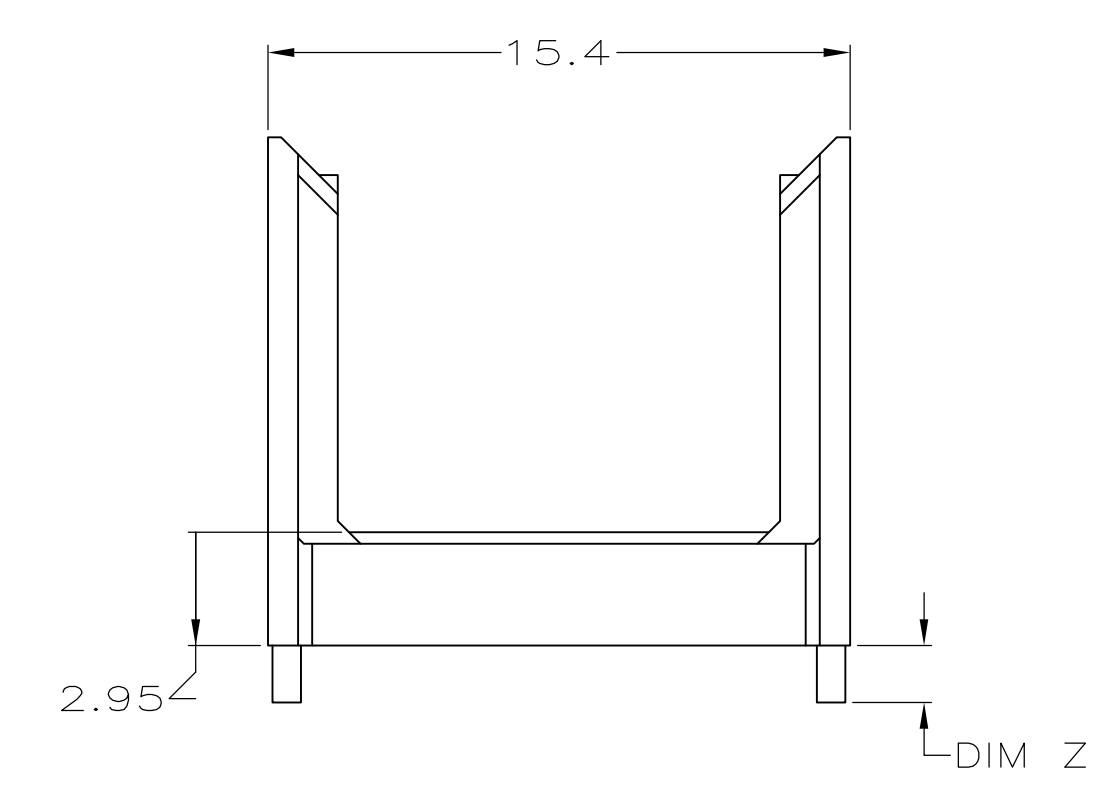
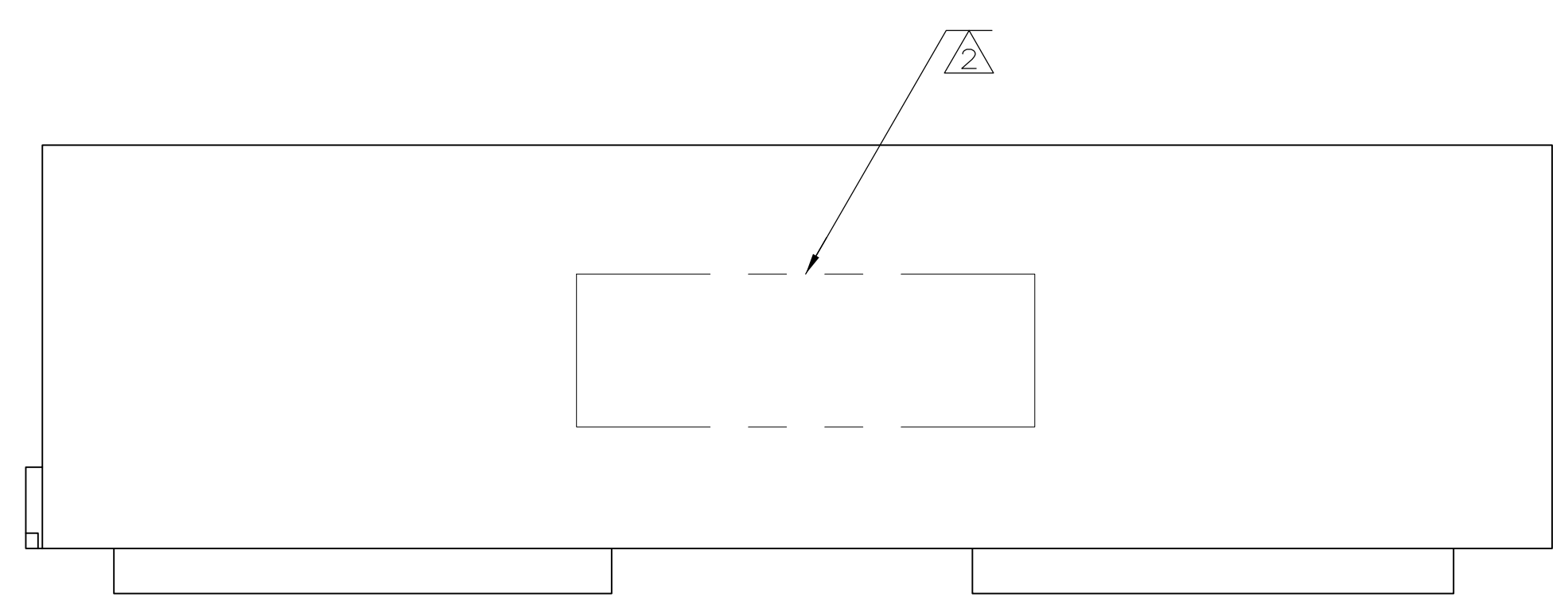
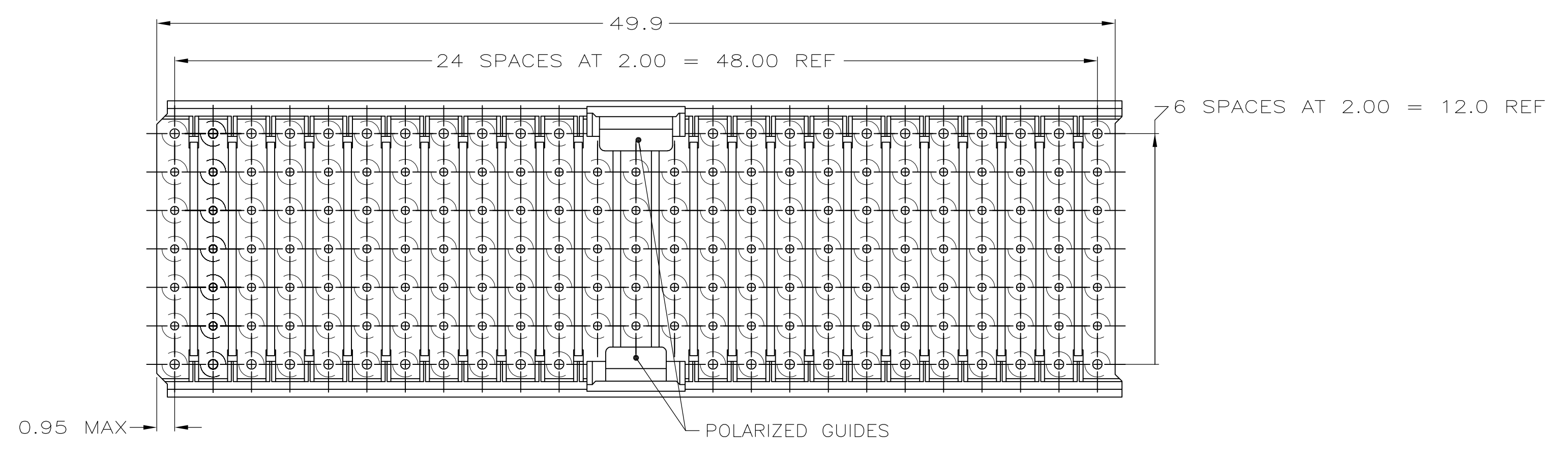
Address: A1208, Overseas Decoration Building, #122 Zhenhua RD., Futian, Shenzhen, China



LOC		DIST		REVISIONS			
AD	47	REV	DATE	BY	CHKD	APVD	
A		REVISED PER ECO-07-027626	28NOV07	DH	JE		
B		ECR-10-019054	15SEP10	DP	MQW		



1 MATERIAL: GLASS FILLED POLYESTER.  
 2 PART NUMBER MARKED IN APPROXIMATE AREA SHOWN.



1.90	646576-7
1.70	646576-6
1.50	646576-5
1.30	646576-4
1.10	646576-3
0.90	646576-2
-	646576-1
DIM Z	PART NUMBER

THIS DRAWING IS A CONTROLLED DOCUMENT.

DIMENSIONS: mm	TOLERANCES UNLESS OTHERWISE SPECIFIED:	DIN L BRINER 8/15/99	Tyco Electronics Corporation Harrisburg, PA 17105-3608
0-PLC ±	1-PLC ±0.1	CHK G SKIPPER 8/15/99	
	2-PLC ±0.05	APVD G SKIPPER 8/15/99	NAME SHROUD, TYPE A/B, Z-PACK 2mm HM, 5 ROW, 169 POSITION WITH GUIDE
	3-PLC ±	PRODUCT SPEC	
	4-PLC ±	APPLICATION SPEC	SIZE A1
	ANGLES	WEIGHT	CAGE CODE 00779
MATERIAL 1	FINISH	CUSTOMER DRAWING	DRAWING NO. 646576
		SCALE 5:1	SHEET 1 OF 1