



Chipsmall Limited consists of a professional team with an average of over 10 year of expertise in the distribution of electronic components. Based in Hongkong, we have already established firm and mutual-benefit business relationships with customers from,Europe,America and south Asia,supplying obsolete and hard-to-find components to meet their specific needs.

With the principle of “Quality Parts,Customers Priority,Honest Operation,and Considerate Service”,our business mainly focus on the distribution of electronic components. Line cards we deal with include Microchip,ALPS,ROHM,Xilinx,Pulse,ON,Everlight and Freescale. Main products comprise IC,Modules,Potentiometer,IC Socket,Relay,Connector.Our parts cover such applications as commercial,industrial, and automotives areas.

We are looking forward to setting up business relationship with you and hope to provide you with the best service and solution. Let us make a better world for our industry!



Contact us

Tel: +86-755-8981 8866 Fax: +86-755-8427 6832

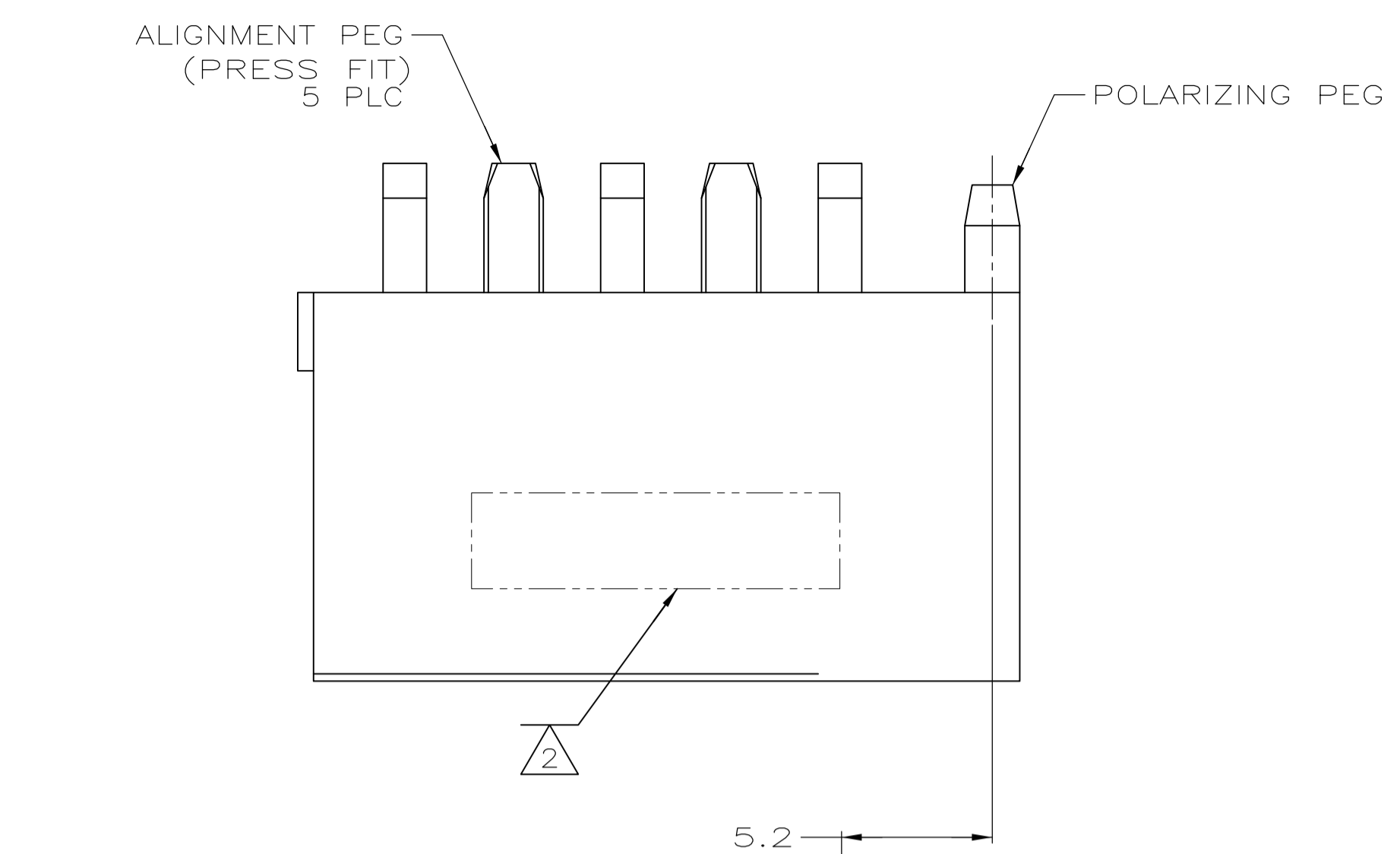
Email & Skype: info@chipsmall.com Web: www.chipsmall.com

Address: A1208, Overseas Decoration Building, #122 Zhenhua RD., Futian, Shenzhen, China

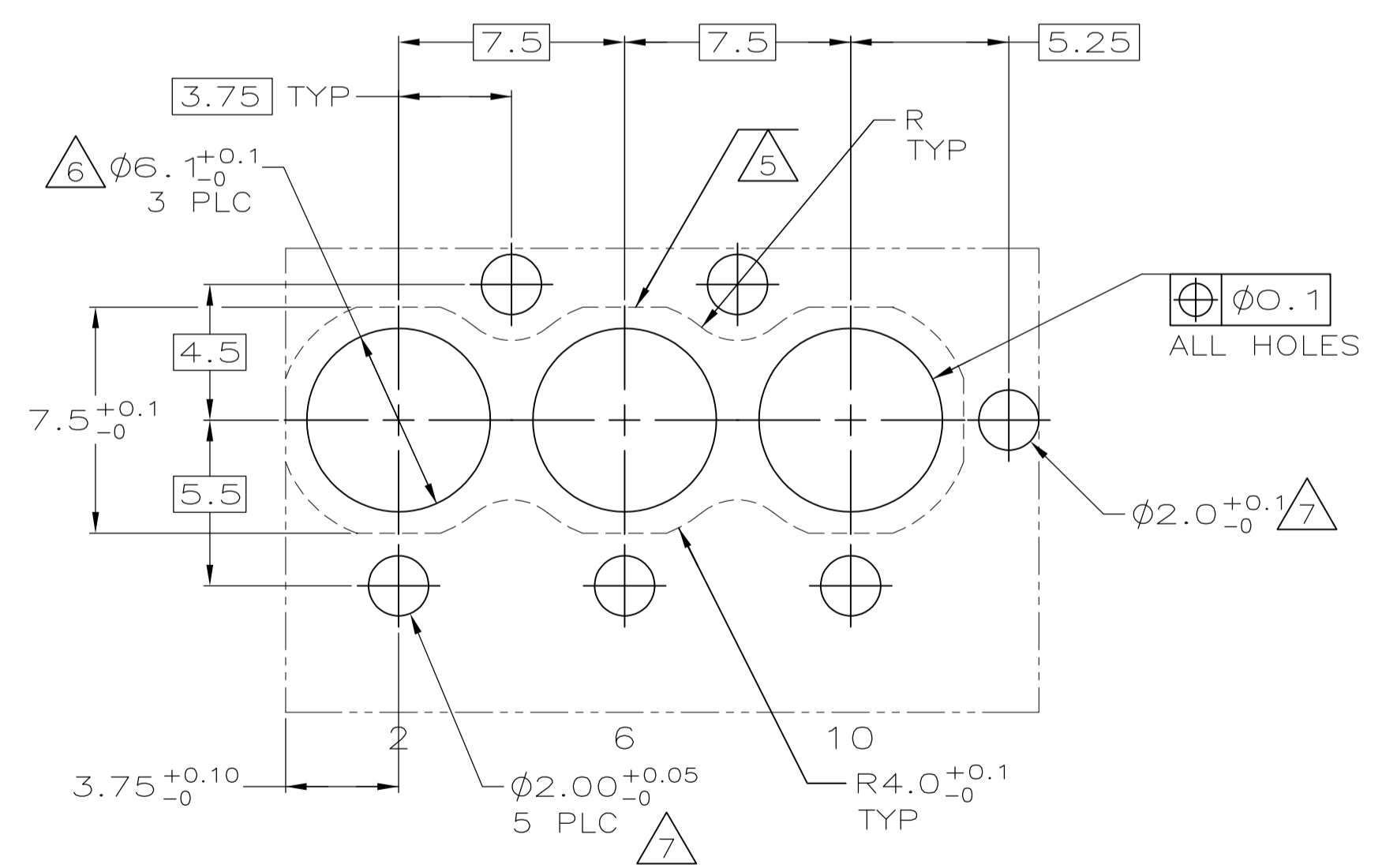
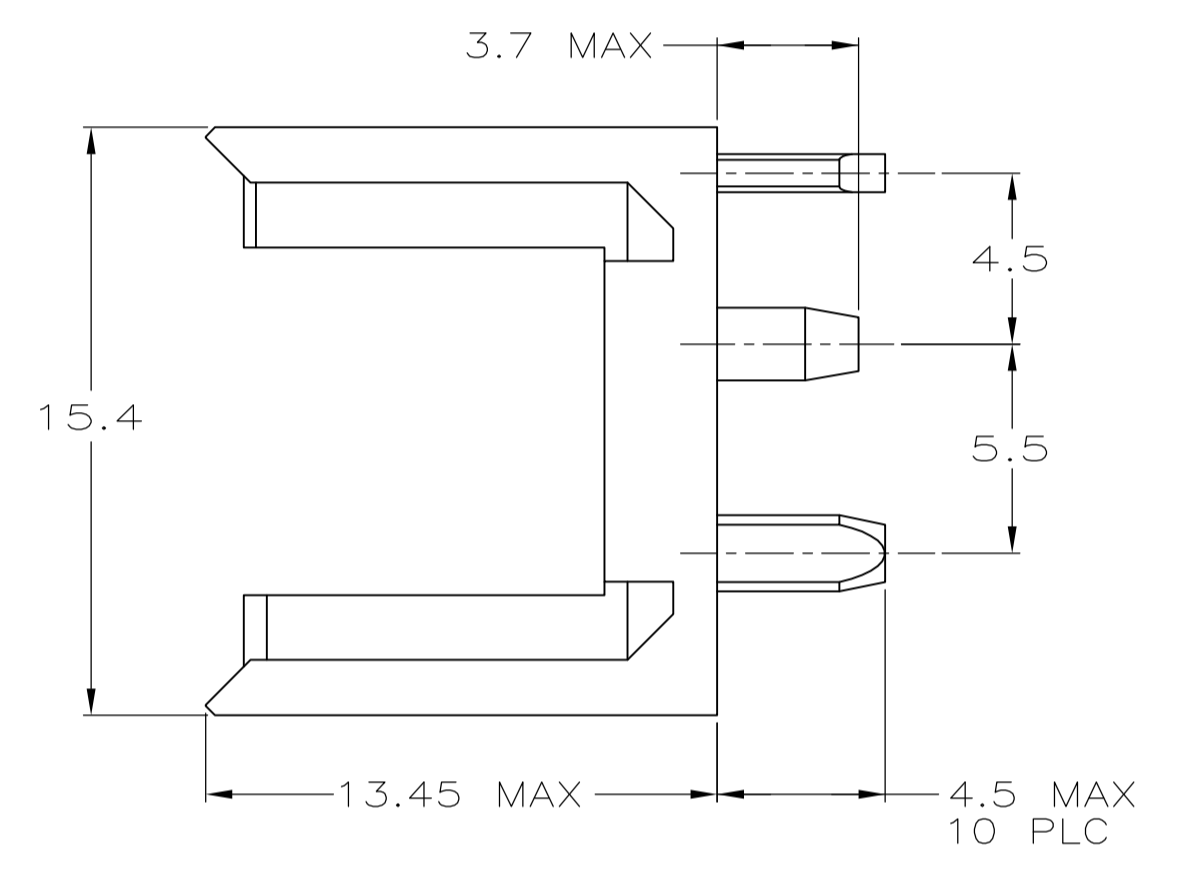
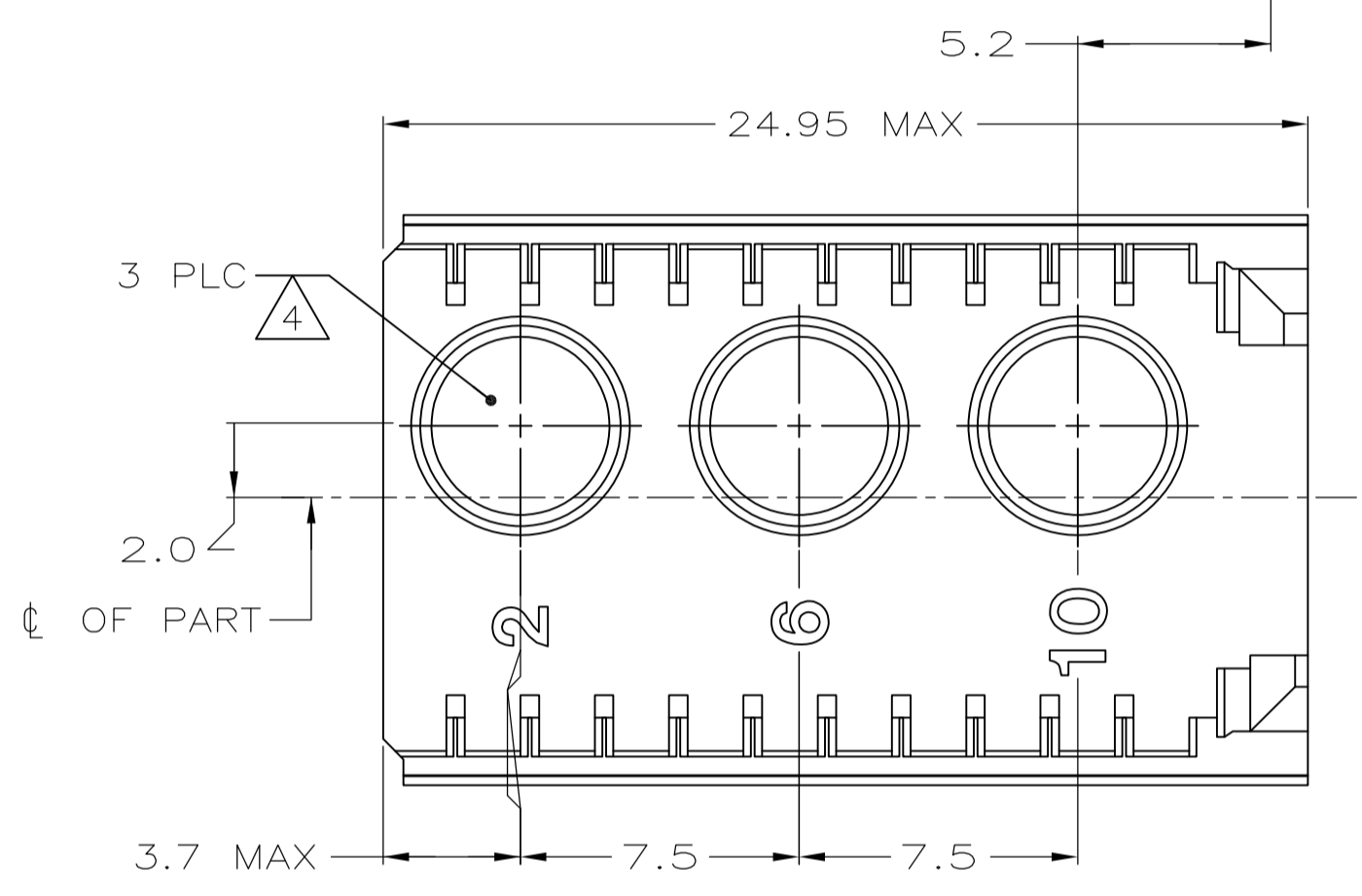


THIS DRAWING IS UNPUBLISHED. RELEASED FOR PUBLICATION .19
COPYRIGHT 19 BY AMP INCORPORATED. ALL RIGHTS RESERVED.

LOC	DIST	P	LTR	DESCRIPTION	DATE	DWN	APVD
AD	47	0		DRAWN	-	-	-
		A		ECR-10-019054	15SEP10	DP	MQW



- 1 MATERIAL:
HOUSING: GLASS-FILLED POLYESTER.
- 2 CONNECTOR MARKED WITH PART NUMBER, (OPPOSITE SIDE).
- 3 AREA RESERVED FOR KEYING PART (BASIC P/N 100525).
- 4 CONTACT CAVITIES SUITABLE FOR $\phi 4.8$ HIGH CURRENT, HIGH FREQUENCY (CABLE OR BOARD MOUNT) OR FIBRE OPTIC CONTACTS AS PER DIN 41626 (ALSO SEE NOTE 10 AND 11).
- 5 PATTERN FOR FIBRE OPTIC CONTACTS.
- 6 NON PLATED THROUGH HOLES FOR CABLE MOUNT APPLICATIONS. REFERENCE APPLICABLE BOARD MOUNT POWER OR COAX CONTACT DRAWING FOR PCB HOLE LAYOUT.
- 7 NON PLATED THROUGH HOLES.



RECOMMENDED PCB-HOLE LAY-OUT
COMPONENT SIDE SHOWN

646703-1
PART NUMBER

THIS DRAWING IS A CONTROLLED DOCUMENT.		DWN L. BRINER 2/27/01	AMP Incorporated Harrisburg, PA 17105-3608										
DIMENSIONS: mm		CHK R. PATTERSON 2/27/01	NAME R. PATTERSON										
TOLERANCES UNLESS OTHERWISE SPECIFIED:		APVD R. PATTERSON 2/27/01	PRODUCT SPEC										
<table border="1"> <tr><td>3-PLC</td><td>±</td></tr> <tr><td>1-PLC</td><td>±</td></tr> <tr><td>2-PLC</td><td>±0.1</td></tr> <tr><td>3-PLC</td><td>±</td></tr> <tr><td>4-PLC</td><td>±</td></tr> </table>		3-PLC	±	1-PLC	±	2-PLC	±0.1	3-PLC	±	4-PLC	±	APPLICATION SPEC	
3-PLC	±												
1-PLC	±												
2-PLC	±0.1												
3-PLC	±												
4-PLC	±												
MATERIAL		WEIGHT	SIZE A100779	DRAWING NO C- 646703									
FINISH		RESTRICTED TO	SCALE 5:1 SHEET 1 OF 1 REV A										
CUSTOMER DRAWING													