



Chipsmall Limited consists of a professional team with an average of over 10 year of expertise in the distribution of electronic components. Based in Hongkong, we have already established firm and mutual-benefit business relationships with customers from,Europe,America and south Asia,supplying obsolete and hard-to-find components to meet their specific needs.

With the principle of “Quality Parts,Customers Priority,Honest Operation,and Considerate Service”,our business mainly focus on the distribution of electronic components. Line cards we deal with include Microchip,ALPS,ROHM,Xilinx,Pulse,ON,Everlight and Freescale. Main products comprise IC,Modules,Potentiometer,IC Socket,Relay,Connector.Our parts cover such applications as commercial,industrial, and automotives areas.

We are looking forward to setting up business relationship with you and hope to provide you with the best service and solution. Let us make a better world for our industry!



Contact us

Tel: +86-755-8981 8866 Fax: +86-755-8427 6832

Email & Skype: info@chipsmall.com Web: www.chipsmall.com

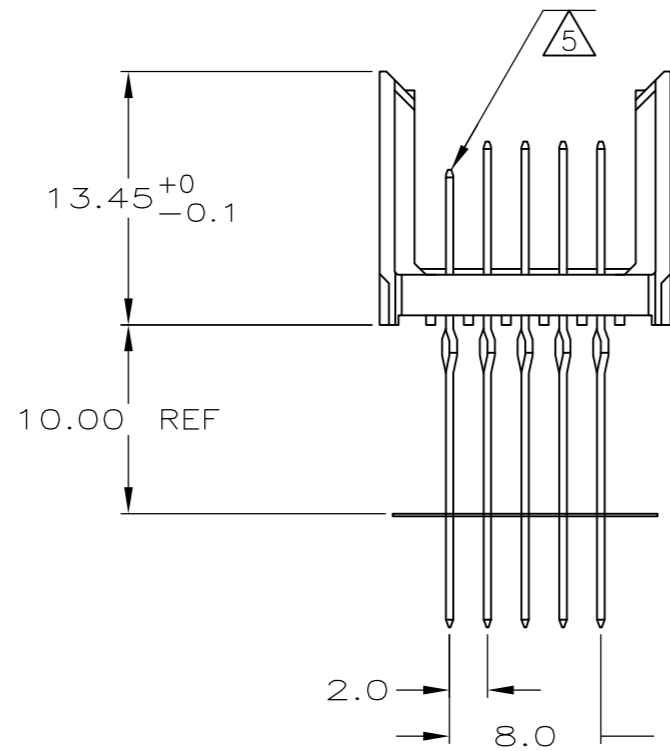
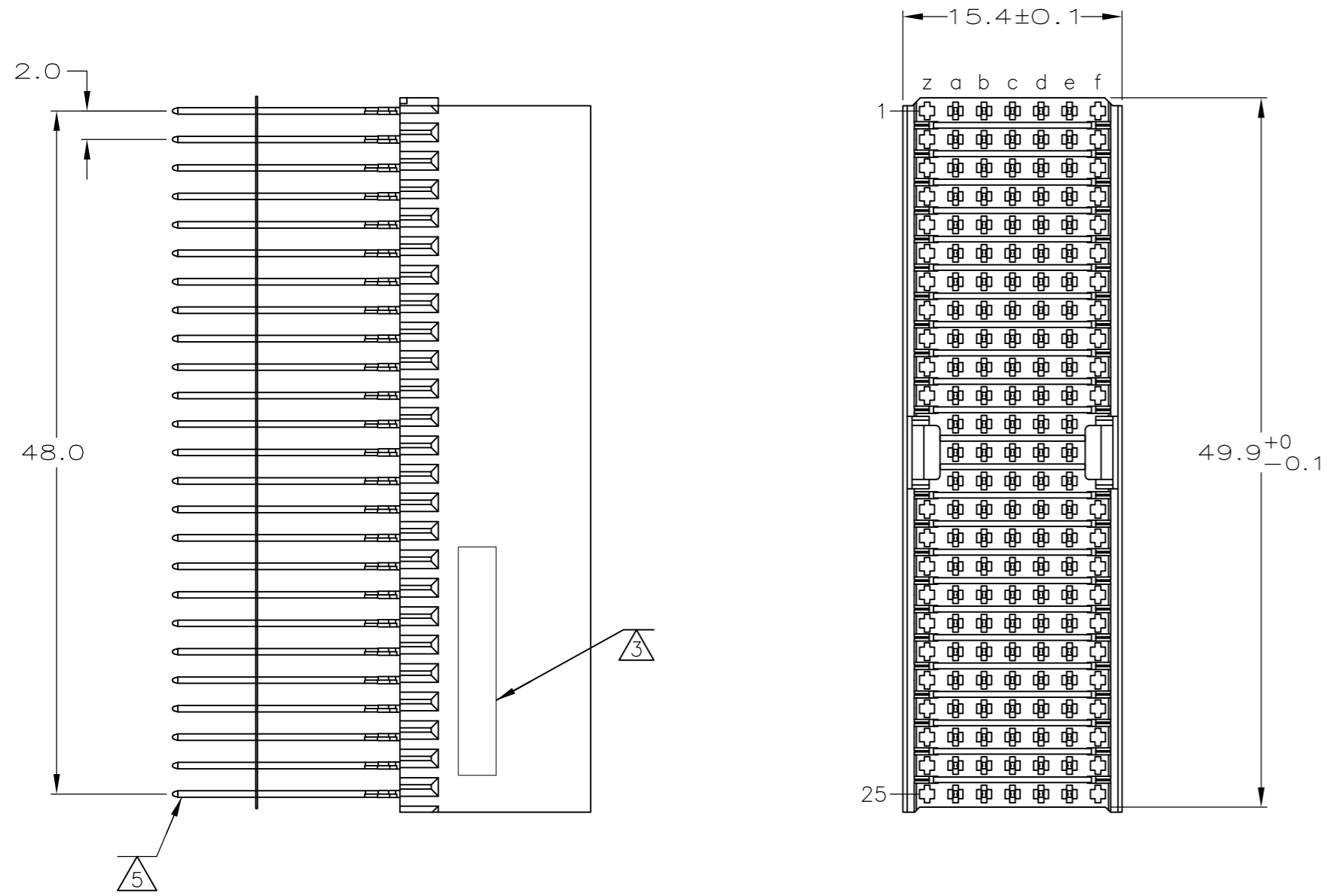
Address: A1208, Overseas Decoration Building, #122 Zhenhua RD., Futian, Shenzhen, China



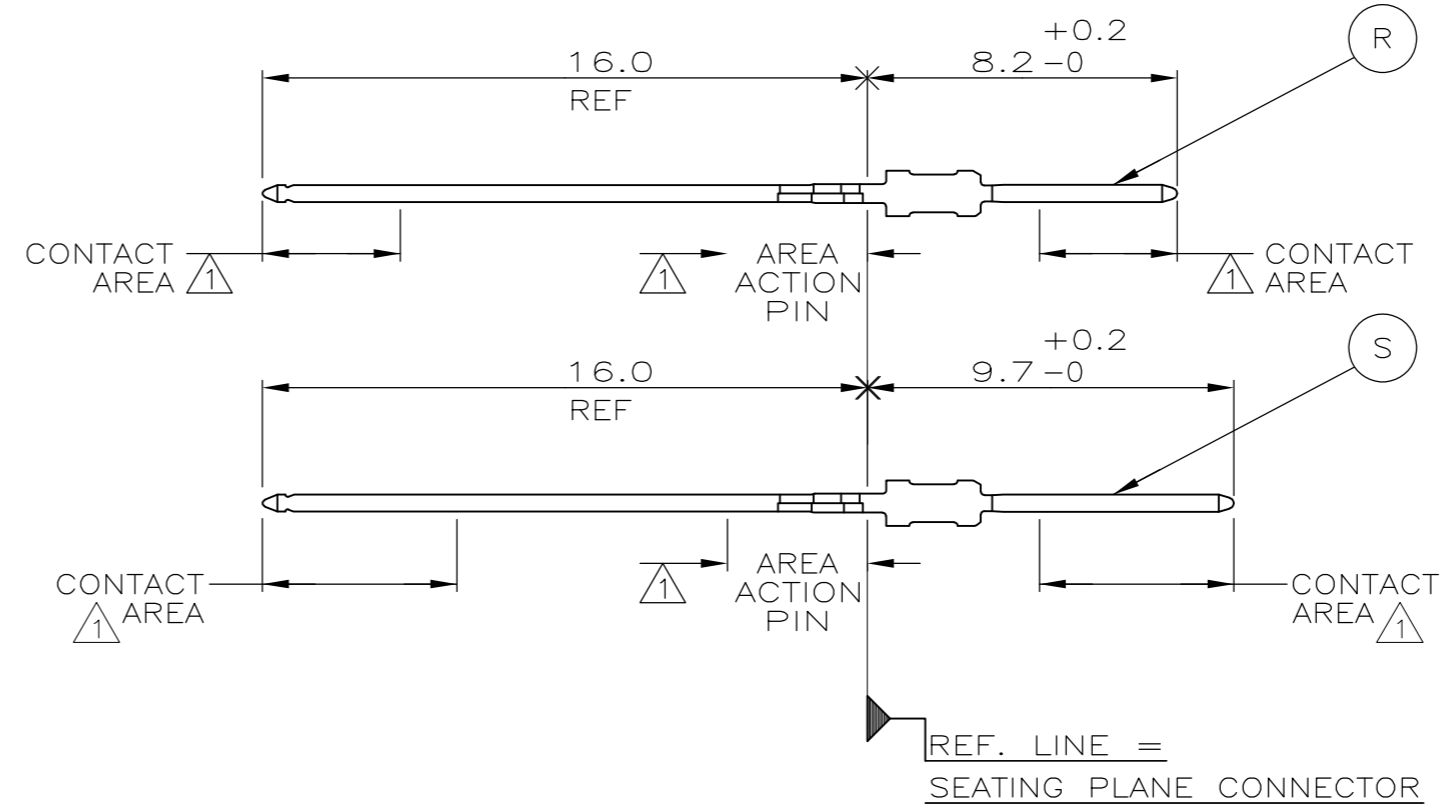
THIS DRAWING IS UNPUBLISHED. RELEASED FOR PUBLICATION
 © COPYRIGHT BY TYCO ELECTRONICS CORPORATION. ALL RIGHTS RESERVED.

LOC	DIST	REVISIONS			
P	LTR	DESCRIPTION	DATE	DWN	APVD
AD	47				
	A	REVISED PER ECO-08-010459	28APR08	DH	JE
	B	ECR-10-019054	15SEP10	DP	MQW

CONNECTOR ASSEMBLY
 EXEMPLARY LOADED
 SCALE 2.5:1



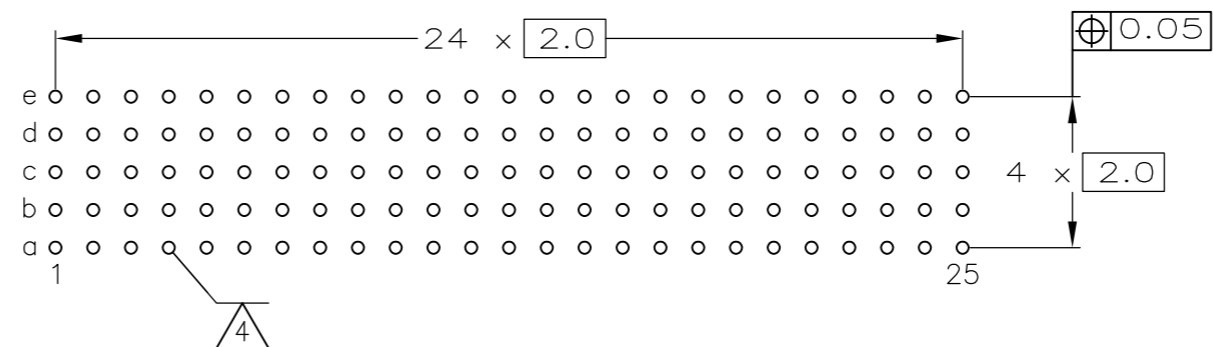
CONTACT DIMENSIONS



CONTACT LAYOUT
 NTS

	z	a	b	c	d	e	f
1	R	R	R	R	R		
2	R	R	R	R	R		
3	R	R	R	R	R		
4	R	R	R	R	R		
5	R	R	R	R	R		
6	R	R	R	R	R		
7	R	R	R	R	R		
8	R	R	R	R	R		
9	R	R	R	R	R		
10	R	R	R	R	R		
11	R	R	R	R	R		
12	R	R	R	R	R		
13	R	R	R	R	R		
14	R	R	R	R	R		
15	R	R	R	R	R		
16	R	R	R	R	R		
17	R	R	R	R	R		
18	R	R	R	R	R		
19	R	R	R	R	R		
20	R	R	R	R	R		
21	R	R	R	R	R		
22	R	R	R	R	R		
23	R	R	R	R	R		
24	R	R	R	R	R		
25	R	S	S	S	S		

RECOMMENDED PCB-HOLE LAYOUT
 COMPONENT SIDE SHOWN



PLATED THRU HOLES PARAMETERS
 REFERENCE APPLICATION SPECIFICATION

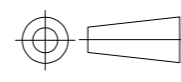
2	6	12	1-646783-9
2	5	12	646783-9
2	4		646783-4
2	3		646783-1
FINISH		PART NUMBER	

THIS DRAWING IS A CONTROLLED DOCUMENT.		DWN DK SCHRUM 08NOV00	Tyco Electronics Corporation Harrisburg, PA 17105-3608	
DIMENSIONS: mm		CHK LS BRINER 08NOV00	NAME PIN ASSEMBLY, Z-PACK 2mm HM TYPE A/B, 125 POSITION	
TOLERANCES UNLESS OTHERWISE SPECIFIED:		APVD LS BRINER 08NOV00	PRODUCT SPEC 108-19082	
0-PLG ±		APPLICATION SPEC 114-19029		
1-PLG ± 0.1		WEIGHT -		
2-PLG ±		SIZE A2 CAGE CODE 00779 C=646783		
3-PLG ±		DRAWING NO -		
4-PLG ±		RESTRICTED TO -		
ANGLES ±		SCALE 5:1 SHEET 1 of 2 REV B		
FINISH SEE TABLE		CUSTOMER DRAWING		

THIS DRAWING IS UNPUBLISHED. RELEASED FOR PUBLICATION
 © COPYRIGHT BY TYCO ELECTRONICS CORPORATION. ALL RIGHTS RESERVED.

LOC	DIST	REVISIONS					
		P	LTR	DESCRIPTION	DATE	DWN	APVD
AD	47	-	-	SEE SHEET 1	-	-	-

- 1 MATERIAL:
CONTACT: PHOSPHOR BRONZE.
HOUSING: GLASS-FILLED POLYESTER.
- 2 GENERAL PLATING SPECIFICATION: UNDERPLATING
(ENTIRE CONTACT): 1.3µm MIN NICKEL AND
ACTION PIN: 0.5µm MIN TIN/LEAD.
FOR PLATING OF MATING SURFACES SEE APPLICABLE
SPECIFICATION REFERENCE FOR EACH DASH NUMBER.
- 3 CONNECTOR MARKED WITH PART NUMBER AND DATE CODE.
ADDITIONAL CHARACTERS OR MARKINGS, AS WELL AS THE LOCATION OF
THE MARKINGS,
MAY BE ADDED FOR TRACEABILITY BASED UPON MANUFACTURERS
DISCRETION.
- 4 PLATED-THROUGH HOLES AT 2x2mm SQUARE GRID
PATTERN DEFINED BY CONTACT LAYOUT.
- 5 FOR ACTUAL PIN LOADING SEE "CONTACT LAYOUT".
- 6 CONFORMS TO ALL TESTING ACCORDING TO IEC 61076-4-101
PERFORMANCE LEVEL 2.
- 7 CONFORMS TO ALL TESTING ACCORDING TO IEC 61076-4-101
PERFORMANCE LEVEL 1.
- 8 CONNECTOR TESTED AND QUALIFIED AGAINST TELCORDIA GR-1217-CORE
QUALITY LEVEL 3,
CENTRAL OFFICE APPLICATIONS.
- 9 CONNECTOR TESTED AND QUALIFIED AGAINST TELCORDIA GR-1217-CORE
QUALITY LEVEL 3,
UNCONTROLLED ENVIROMENT APPLICATIONS.
- 10 FOR ACTUAL PIN DIMENSIONS SEE "CONTACT DIMENSIONS".
- 11 TO BE MEASURED AT BOTTOM OF SHROUD.
- 12 CONNECTOR LUBRICATED WITH BELCORE APPROVED LUBRICANT,
TECHNICAL REFERENCE: TR-NWT-001217 ISSUE 1, SEP 1992.

THIS DRAWING IS A CONTROLLED DOCUMENT.		DWN DK SCHRUM 08NOV00	Tyco Electronics Corporation Harrisburg, PA 17105-3608	
DIMENSIONS: mm		CHK LS BRINER 08NOV00	NAME PIN ASSEMBLY, Z-PACK 2mm HM TYPE A/B, 125 POSITION	
TOLERANCES UNLESS OTHERWISE SPECIFIED:		APVD LS BRINER 08NOV00	RESTRICTED TO -	
		PRODUCT SPEC 108-19082	SIZE A2	
0-PLC ± 1-PLC ± 0.1 2-PLC ± ±0.2 3-PLC ± 4-PLC ± ANGLES ±		APPLICATION SPEC 114-19029	CAGE CODE 00779	DRAWING NO C=646783
MATERIAL SEE SHEET 1	FINISH SEE SHEET 1	WEIGHT -	SCALE 5:1	SHEET 2 of 2
CUSTOMER DRAWING		REV B		

646783