



Chipsmall Limited consists of a professional team with an average of over 10 year of expertise in the distribution of electronic components. Based in Hongkong, we have already established firm and mutual-benefit business relationships with customers from,Europe,America and south Asia,supplying obsolete and hard-to-find components to meet their specific needs.

With the principle of “Quality Parts,Customers Priority,Honest Operation,and Considerate Service”,our business mainly focus on the distribution of electronic components. Line cards we deal with include Microchip,ALPS,ROHM,Xilinx,Pulse,ON,Everlight and Freescale. Main products comprise IC,Modules,Potentiometer,IC Socket,Relay,Connector.Our parts cover such applications as commercial,industrial, and automotives areas.

We are looking forward to setting up business relationship with you and hope to provide you with the best service and solution. Let us make a better world for our industry!



Contact us

Tel: +86-755-8981 8866 Fax: +86-755-8427 6832

Email & Skype: info@chipsmall.com Web: www.chipsmall.com

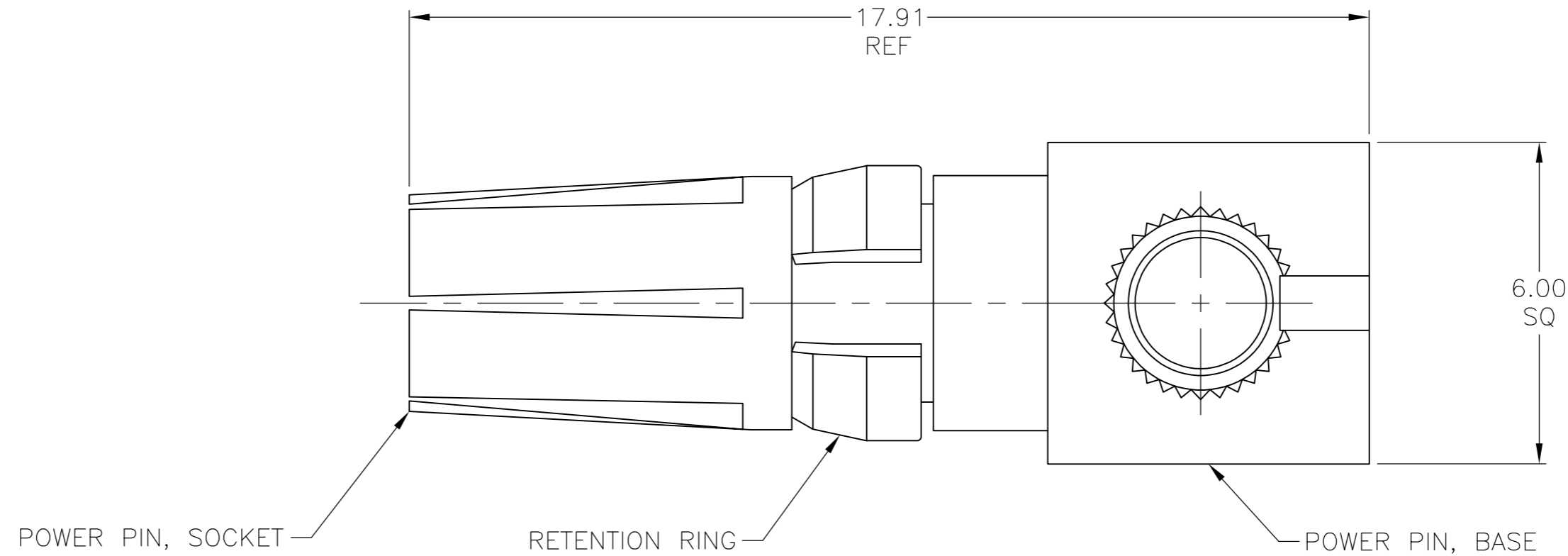
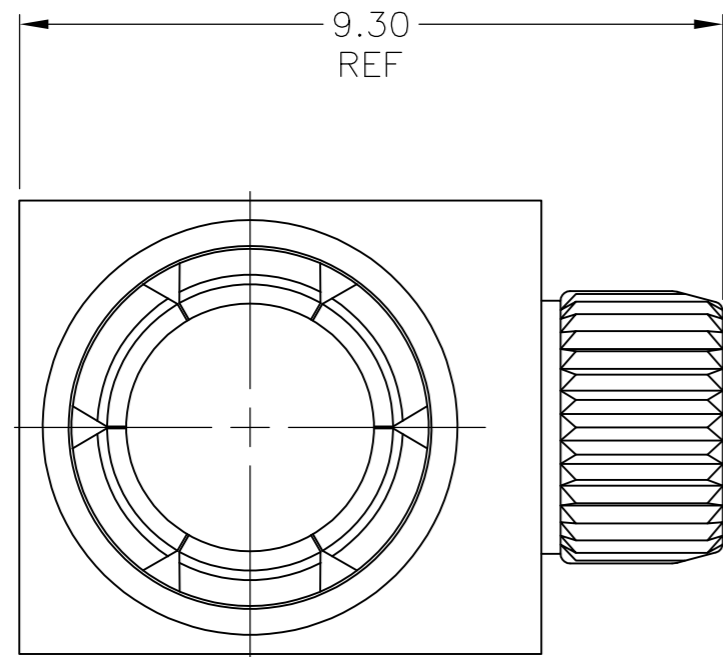
Address: A1208, Overseas Decoration Building, #122 Zhenhua RD., Futian, Shenzhen, China



THIS DRAWING IS UNPUBLISHED. RELEASED FOR PUBLICATION
 © COPYRIGHT BY TYCO ELECTRONICS CORPORATION. ALL RIGHTS RESERVED.

LOC	DIST	REVISIONS			
P	LTR	DESCRIPTION	DATE	DWN	APVD
	E	REV PER EC 0S12-0302-05	12DEC05	BC	GS
	E1	REVISED PER ECO-09-022908	06OCT09	KK	AEG
	F	ECR-10-019054	15SEP10	DP	MQW

- 1 POWER PIN BASE: BRASS.
CONTACT SPRING: BERYLLIUM COPPER.
RETENTION RING: BERYLLIUM COPPER.
- 2 POWER PIN BASE: 2.54µm MIN TIN LEAD OVER 1.27µm MIN NICKEL.
RETENTION RING: 1.27µm MIN NICKEL OVER 2.03µm MAX COPPER.
- 3 POWER PIN SOCKET: 0.76µm MIN GOLD OVER 1.27µm MIN NICKEL.
- 4 POWER PIN SOCKET: 1.27µm MIN GOLD OVER 1.27µm MIN NICKEL.
- 5. RECOMMENDED PLATED THROUGH HOLE DIMENSIONS: DRILLED HOLE IS
ø3.19-3.25, CU THICKNESS 25µm MIN, SnPb THICKNESS
5µm MIN FOR A FINISHED HOLE SIZE OF ø3.02-3.20.
- 6 OBSOLETE PARTS: OBSOLETE CIS STREAMLINING PER D.RENAUD/D.SINISI



POWER PIN, SOCKET

RETENTION RING

POWER PIN, BASE

6	OBSOLETE	2 4	646857-2
		2 3	646857-1
	FINISH		PART NUMBER

THIS DRAWING IS A CONTROLLED DOCUMENT.		DWN L.BRINER 11/30/00	Tyco Electronics Corporation Harrisburg, PA 17105-3608	
DIMENSIONS: mm		CHK R.PATTERSON 11/30/00	NAME ASSEMBLY, POWER CONTACT, Z-PACK 2mm HM, TYPE M, FEMALE 90 DEG, PRINTED CIRCUIT BOARD MOUNT	
TOLERANCES UNLESS OTHERWISE SPECIFIED: Ø-PLG ± 1-PLG ± 2-PLG ± 0.13 ±0.2 3-PLG ± 4-PLG ± ANGLES ± FINISH		APVD R.PATTERSON 11/30/00	SIZE A2	
MATERIAL 1		PRODUCT SPEC APPLICATION SPEC WEIGHT -	CAGE CODE 00779	DRAWING NO 646857
		CUSTOMER DRAWING		RESTRICTED TO -
		SCALE 10:1		SHEET 1 of 1
				REV F