



Chipsmall Limited consists of a professional team with an average of over 10 year of expertise in the distribution of electronic components. Based in Hongkong, we have already established firm and mutual-benefit business relationships with customers from,Europe,America and south Asia,supplying obsolete and hard-to-find components to meet their specific needs.

With the principle of “Quality Parts,Customers Priority,Honest Operation,and Considerate Service”,our business mainly focus on the distribution of electronic components. Line cards we deal with include Microchip,ALPS,ROHM,Xilinx,Pulse,ON,Everlight and Freescale. Main products comprise IC,Modules,Potentiometer,IC Socket,Relay,Connector.Our parts cover such applications as commercial,industrial, and automotives areas.

We are looking forward to setting up business relationship with you and hope to provide you with the best service and solution. Let us make a better world for our industry!



## Contact us

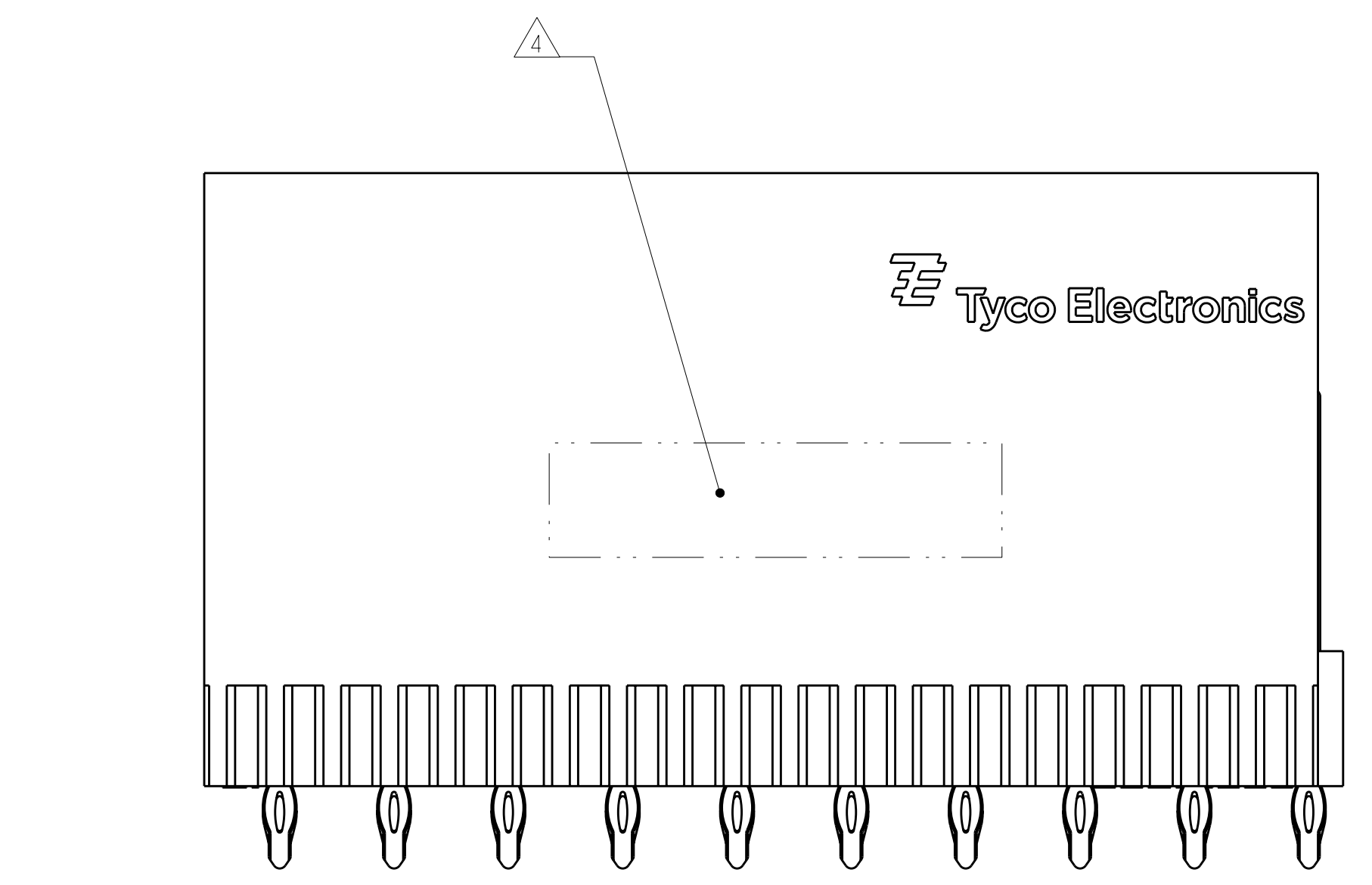
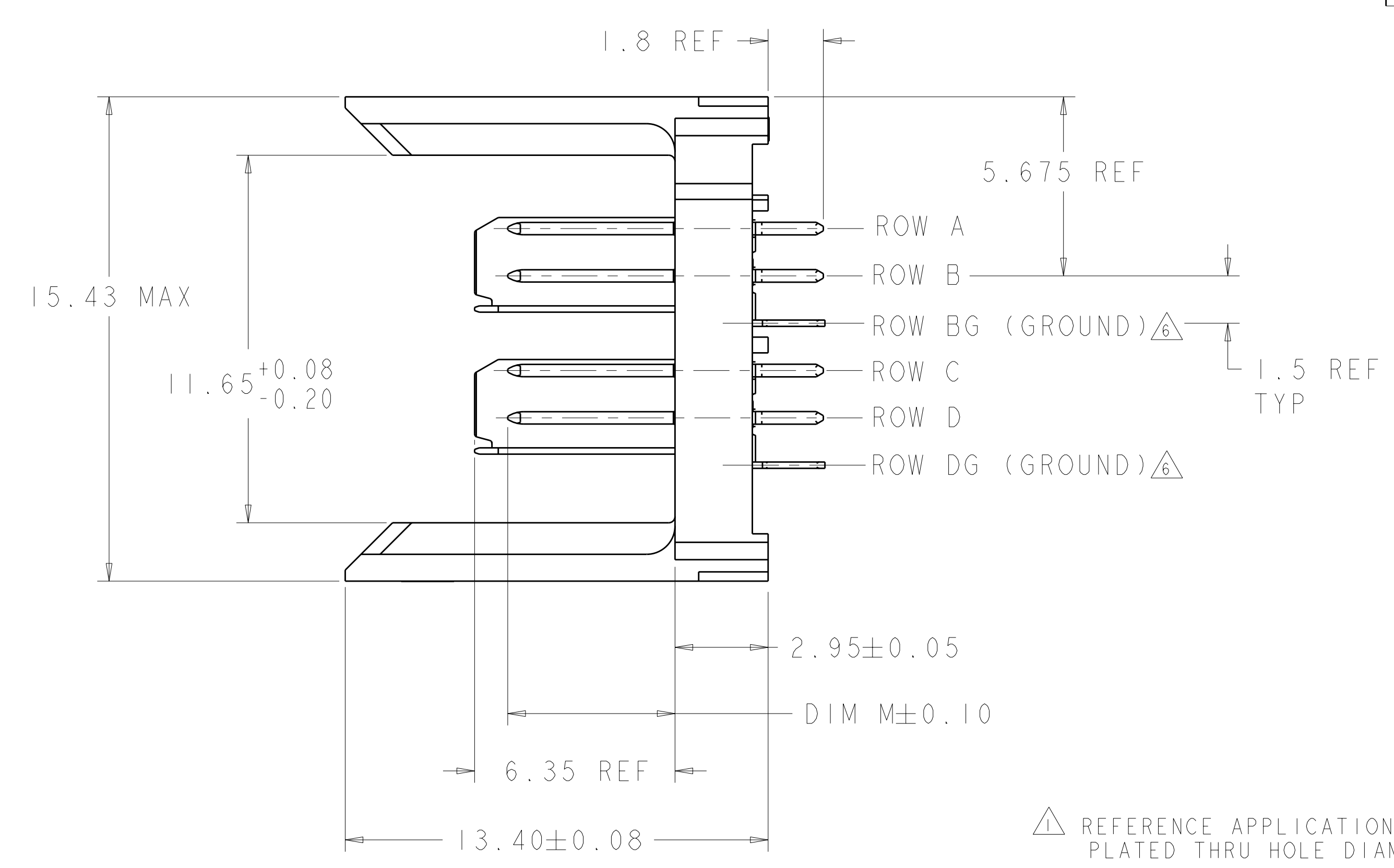
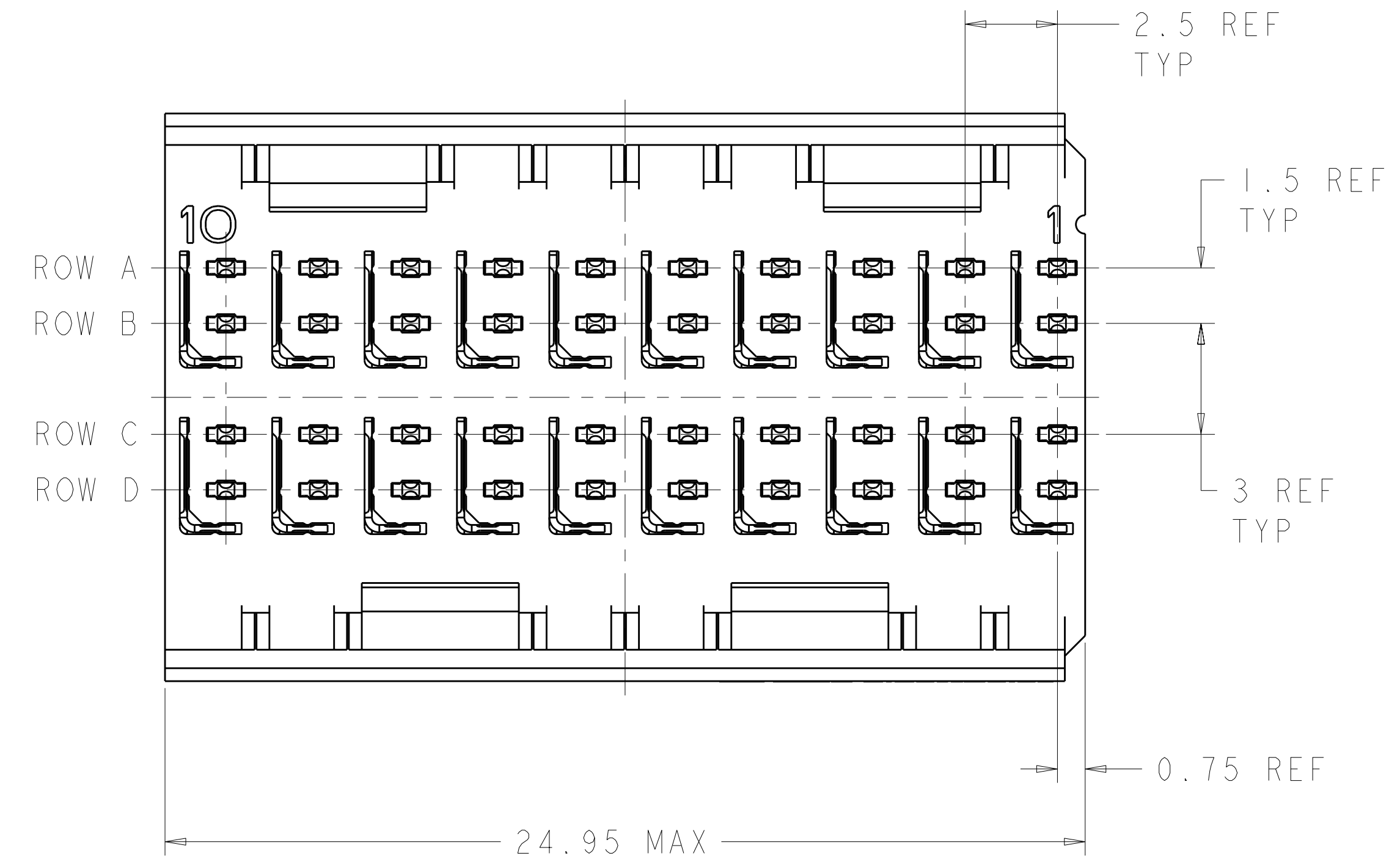
Tel: +86-755-8981 8866 Fax: +86-755-8427 6832

Email & Skype: info@chipsmall.com Web: www.chipsmall.com

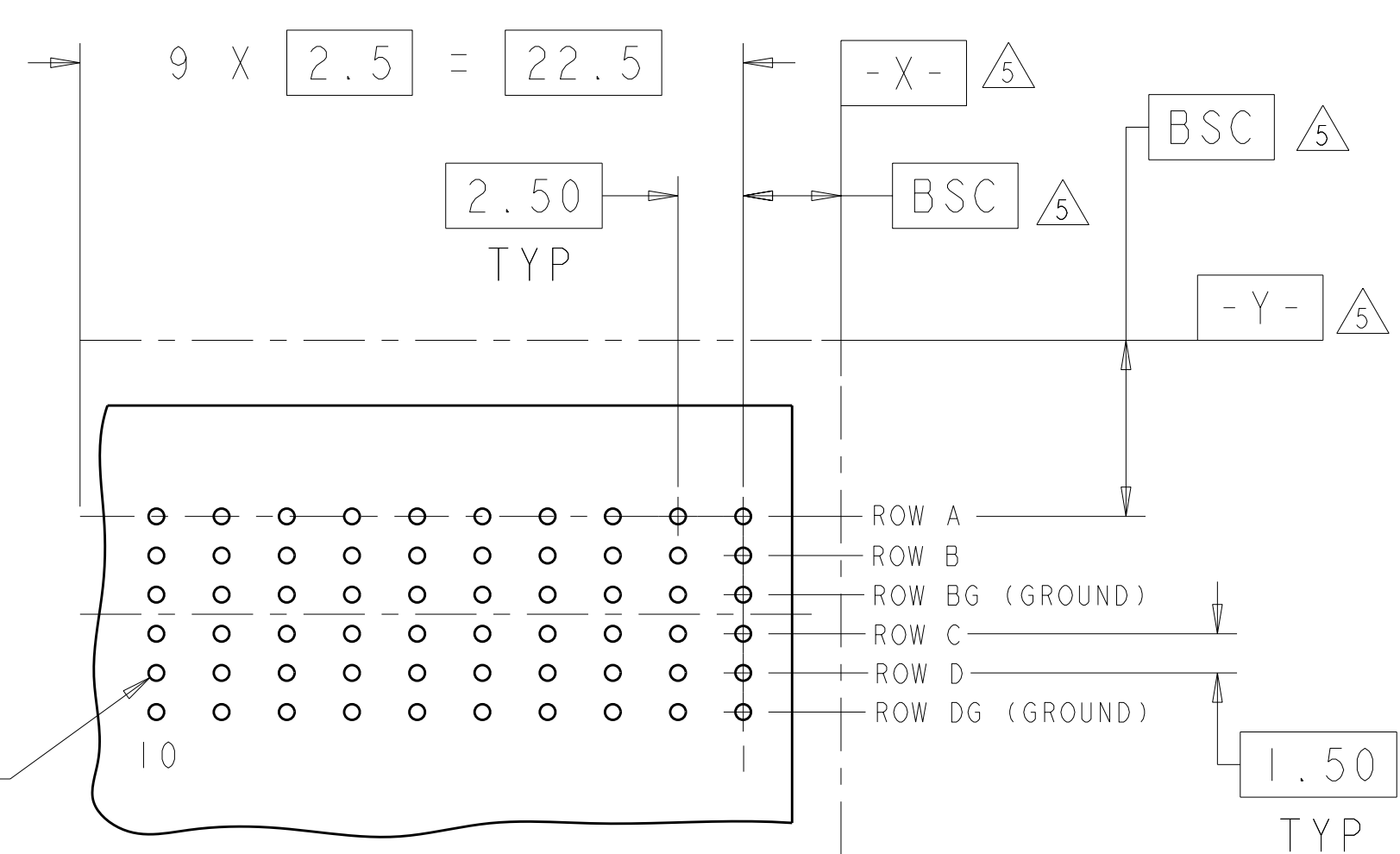
Address: A1208, Overseas Decoration Building, #122 Zhenhua RD., Futian, Shenzhen, China



LOC		DIST		REVISIONS			
AD	00	REV	DATE	BY	CHK	APPD	
B			17JAN12	KH	DY		
		DESCRIPTION		DATE		DWN	
		REVISED PER ECO-12-000118		17JAN12		DY	



⊕ ∅0.05 Ⓢ X Y  
 ALL PLATED THRU HOLES



RECOMMENDED PC BOARD LAYOUT, BACKPLANE, COMPONENT SIDE SHOWN  
 SCALE 4:1

- △ REFERENCE APPLICATION SPEC 114-13059 FOR RECOMMENDED PLATED THRU HOLE DIAMETER AND PLATING THICKNESSES.
  - △ MATERIAL:  
 CONTACT AND SHIELD - PHOSPHOR BRONZE  
 HOUSING - GLASS FILLED POLYESTER, UL 94V-0.
  - △ FINISH: SIGNAL AND GROUND CONTACTS:  
 MATING AREA: MEETS THE PERFORMANCE REQUIREMENTS OF PRODUCT SPECIFICATION 108-2055; BASED ON TELCORDIA GR-1217-CORE, APPLICATIONS IN UNCONTROLLED ENVIRONMENTS  
 COMPLIANT PIN AREA: 0.5 μm MIN MATTE TIN OVER BASE PLATING
  - △ CONNECTOR MARKED WITH PART NUMBER AND DATE CODE.
  - △ DATUMS AND BASIC DIMENSIONS ESTABLISHED BY CUSTOMER.
  - △ THE TWO GROUNDS IN EACH COLUMN ARE COMMONED.
7. CONTACT AREA LUBRICATED WITH BELLCORE APPROVED LUBRICANT. TECHNICAL REFERENCE: GR-1217-CORE, ISSUE 1, NOVEMBER 1995.

3.80	6469076-2
5.30	6469076-1
DIM M	PART NUMBER

THIS DRAWING IS A CONTROLLED DOCUMENT.		DWN S. J. MAGARO 28JUN2004	TE Connectivity
DIMENSIONS: mm		CHK R. A. PATTERSON 28JUN2004	
TOLERANCES UNLESS OTHERWISE SPECIFIED:		APPD R. PATTERSON 17AUG2007	NAME
9 PLC ±		PRODUCT SPEC	HEADER ASSEMBLY, 2 PAIR, 1.8mm TAIL, 25mm, HMZd
3 PLC ±		APPLICATION SPEC	
4 PLC ±		WEIGHT	
ANGLES ±		CUSTOMER DRAWING	
MATERIAL	FINISH	SIZE CAGE CODE DRAWING NO	RESTRICTED TO
		A100779C=6469076	
		SCALE 8:1	SHEET 1 OF 1 REV B