



Chipsmall Limited consists of a professional team with an average of over 10 year of expertise in the distribution of electronic components. Based in Hongkong, we have already established firm and mutual-benefit business relationships with customers from,Europe,America and south Asia,supplying obsolete and hard-to-find components to meet their specific needs.

With the principle of “Quality Parts,Customers Priority,Honest Operation,and Considerate Service”,our business mainly focus on the distribution of electronic components. Line cards we deal with include Microchip,ALPS,ROHM,Xilinx,Pulse,ON,Everlight and Freescale. Main products comprise IC,Modules,Potentiometer,IC Socket,Relay,Connector.Our parts cover such applications as commercial,industrial, and automotives areas.

We are looking forward to setting up business relationship with you and hope to provide you with the best service and solution. Let us make a better world for our industry!



Contact us

Tel: +86-755-8981 8866 Fax: +86-755-8427 6832

Email & Skype: info@chipsmall.com Web: www.chipsmall.com

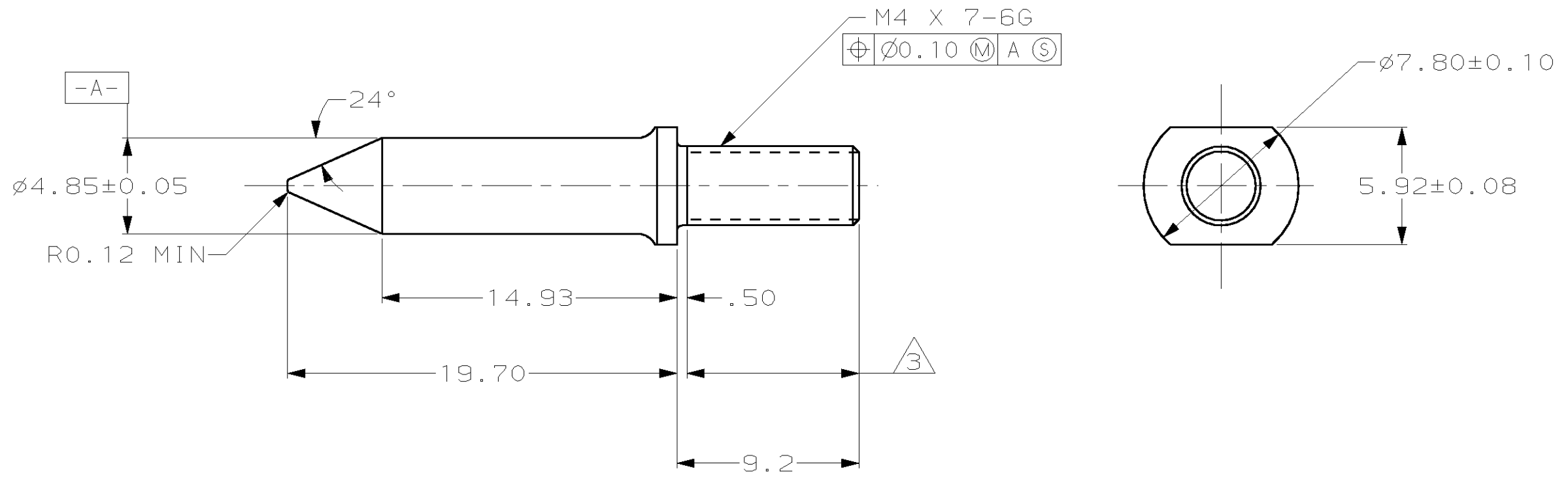
Address: A1208, Overseas Decoration Building, #122 Zhenhua RD., Futian, Shenzhen, China



THIS DRAWING IS UNPUBLISHED. RELEASED FOR PUBLICATION, 19 .
 © COPYRIGHT 19 BY AMP INCORPORATED. ALL RIGHTS RESERVED.

LOC	DIST	REVISIONS			
P	LTR	DESCRIPTION	DATE	DWN	APVD
AD	47	0	RELEASED -3	-	-
		A	REV PER EC 0512-0044-01	25 OCT 01	BC GS

- ① MATERIAL: STAINLESS STEEL.
- ② FINISH: PASSIVATE.
- ③ LOCTITE DRI-LOC 204 APPLIED IN THIS AREA.
- ④ RECOMMENDED PC BOARD DRILLED HOLE IS 4.10±0.08.



646925-3
 PART NUMBER

THIS DRAWING IS A CONTROLLED DOCUMENT.		DWN B. CARBO 28 JUN 01	Tyco Electronics Harrisburg, PA 17105-3608	
DIMENSIONS: mm		CHK G. SKIPPER 28 JUN 01		
TOLERANCES UNLESS OTHERWISE SPECIFIED:		APVD G. SKIPPER 28 JUN 01	NAME	
0 PLC ±- 1 PLC ±- 2 PLC ±0.13 3 PLC ±- 4 PLC ±- ANGLES ±0°30'		PRODUCT SPEC	GUIDE PIN, UNIVERSAL POWER MODULE	
MATERIAL ①	FINISH ② ③	APPLICATION SPEC	SIZE A3	CAGE CODE 00779
		WEIGHT -	DRAWING NO C- 646925	RESTRICTED TO -
CUSTOMER DRAWING			SCALE 4:1	SHEET 1 OF 1
			REV A	