



Chipsmall Limited consists of a professional team with an average of over 10 year of expertise in the distribution of electronic components. Based in Hongkong, we have already established firm and mutual-benefit business relationships with customers from,Europe,America and south Asia,supplying obsolete and hard-to-find components to meet their specific needs.

With the principle of “Quality Parts,Customers Priority,Honest Operation,and Considerate Service”,our business mainly focus on the distribution of electronic components. Line cards we deal with include Microchip,ALPS,ROHM,Xilinx,Pulse,ON,Everlight and Freescale. Main products comprise IC,Modules,Potentiometer,IC Socket,Relay,Connector.Our parts cover such applications as commercial,industrial, and automotives areas.

We are looking forward to setting up business relationship with you and hope to provide you with the best service and solution. Let us make a better world for our industry!



Contact us

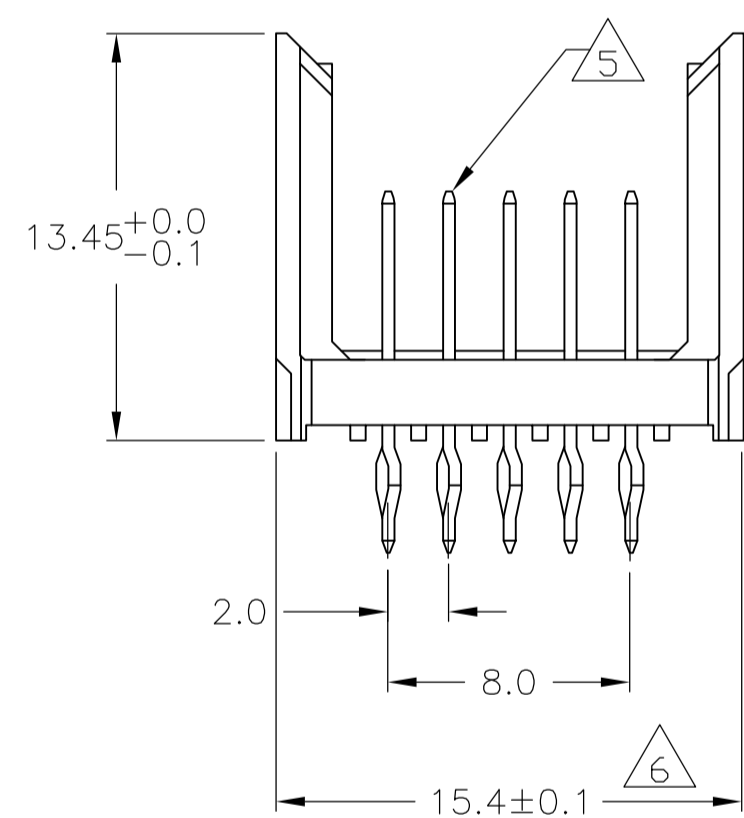
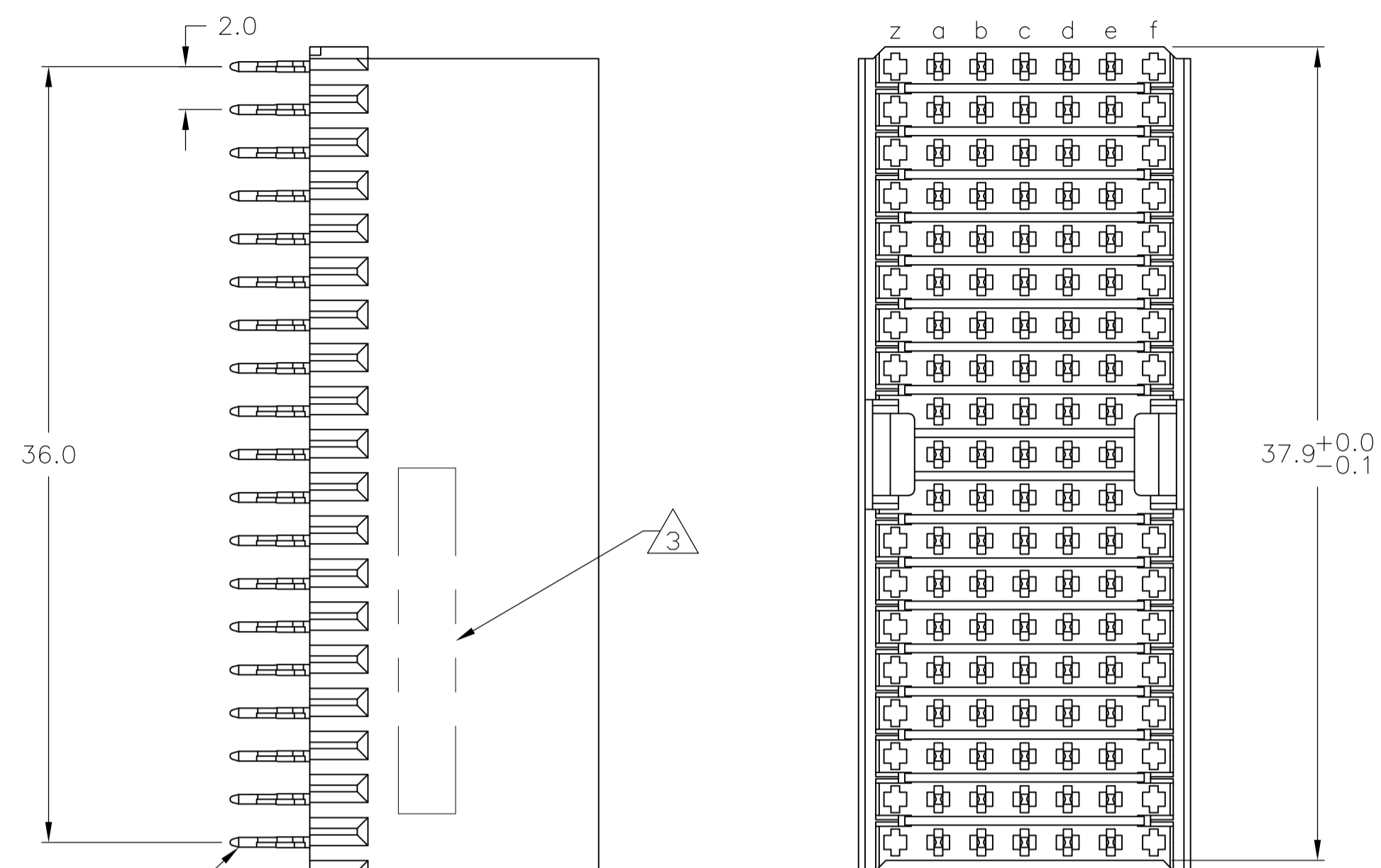
Tel: +86-755-8981 8866 Fax: +86-755-8427 6832

Email & Skype: info@chipsmall.com Web: www.chipsmall.com

Address: A1208, Overseas Decoration Building, #122 Zhenhua RD., Futian, Shenzhen, China

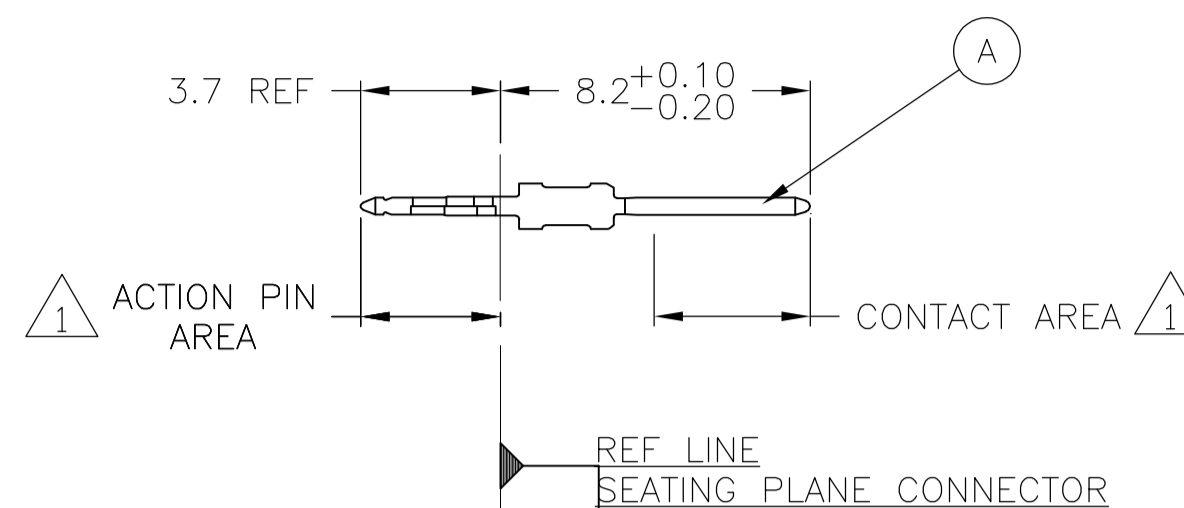


CONNECTOR ASSEMBLY EXAMPLARY LOADED 5

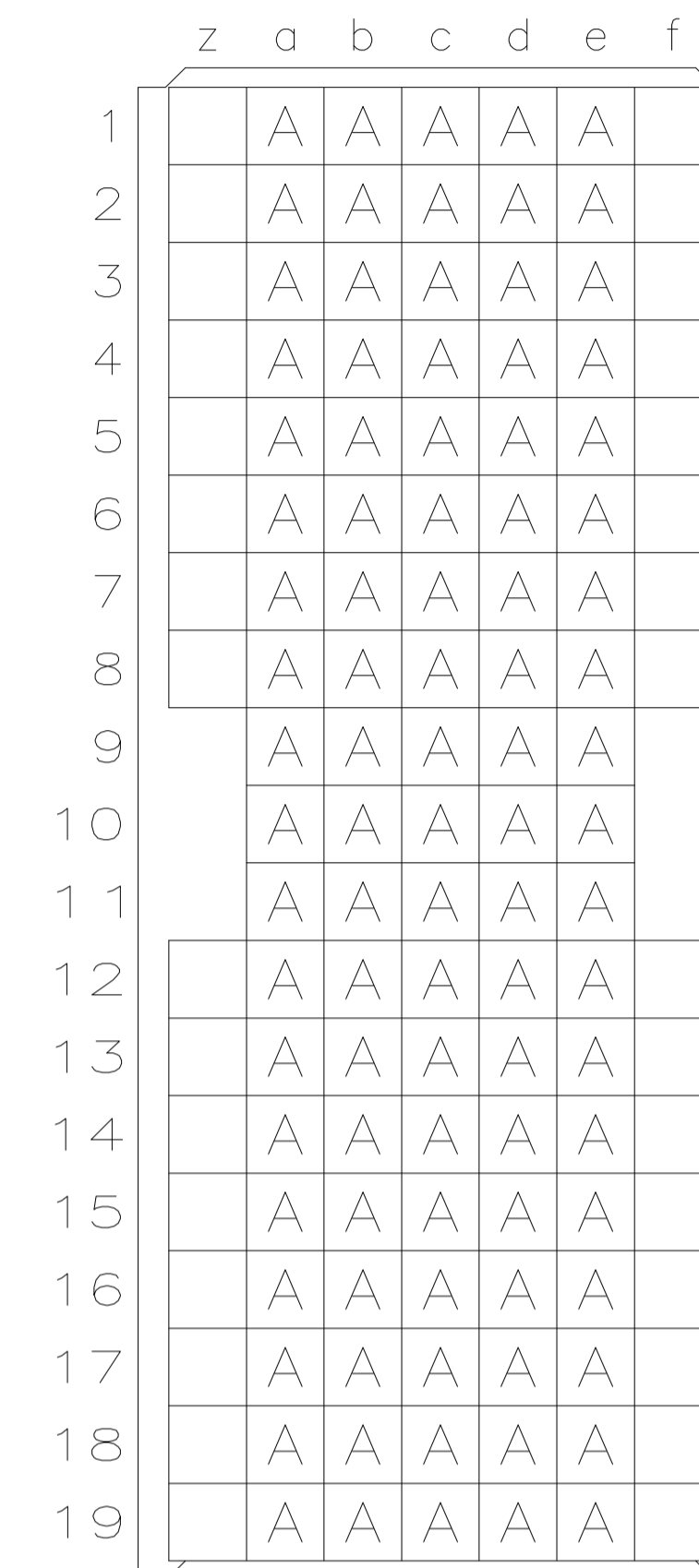


CONTACT DIMENSIONS

SCALE 5:1



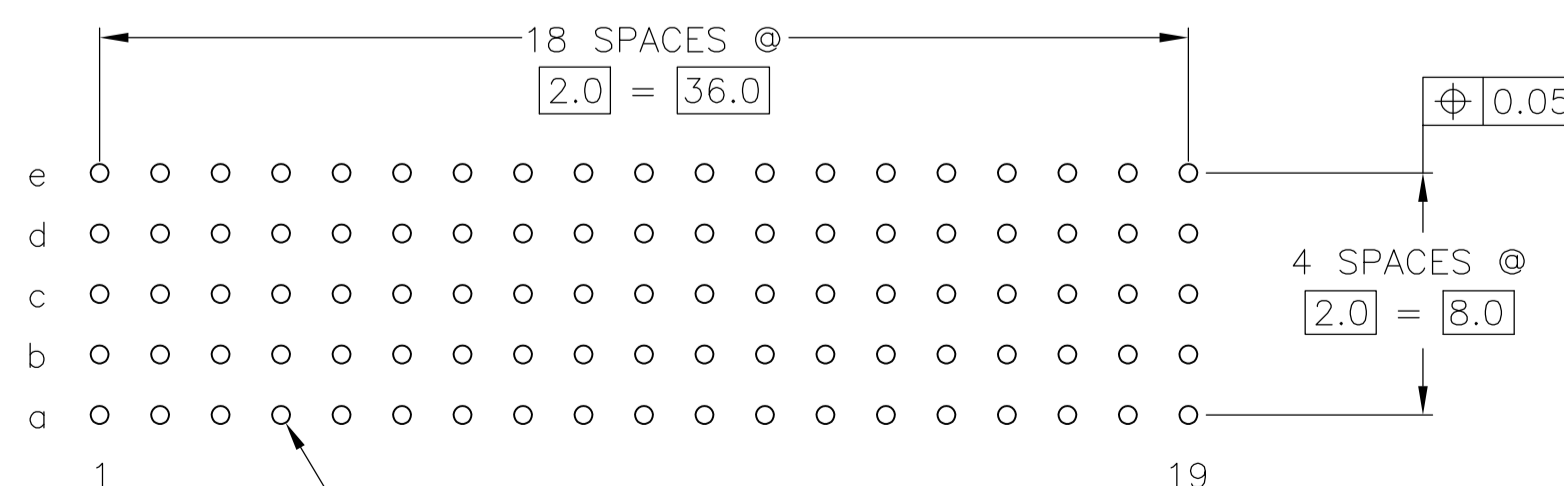
CONTACT LAYOUT



RECOMMENDED PCB-HOLE LAYOUT COMPONENT SIDE SHOWN

PCB HOLE DIM ACTION PIN

DRILLED HOLE: 0.7±0.025
FIN HOLE: 0.55 TO 0.65mm
Cu-thks: 0.025 TO 0.050mm
SnPb-thks: 0.004 TO 0.010mm



- 1 CONTACT FINISH:
CONTACT AREA: 0.8um Au MIN OVER 1.3um Ni MIN.
ACTION PIN: 0.5um SnPb MIN OVER 1.3um Ni MIN.
- 2 MATERIAL:
CONTACT: PHOSPHOR BRONZE.
HOUSING: GLASS-FILLED POLYESTER.
- 3 CONNECTOR MARKED WITH PART NUMBER AND DATE CODE.
ADDITIONAL CHARACTERS OR MARKINGS, AS WELL AS THE LOCATION OF THE MARKINGS,
MAY BE ADDED FOR TRACEABILITY BASED UPON MANUFACTURERS DISCRETION.
- 4 PLATED-THROUGH HOLES AT 2x2mm SQUARE GRID
TOTAL 95 HOLES.
- 5 FOR ACTUAL PIN LOADING SEE "CONTACT LAYOUT".
- 6 TO BE MEASURED AT BOTTOM OF SHROUD.

THIS DRAWING IS A CONTROLLED DOCUMENT.		DIN B CARBO 10JUL02	Tyco Electronics Corporation Harrisburg, PA 17105-3608	
DIMENSIONS: mm		CHK G SKIPPER 10JUL02	APVD G SKIPPER 10JUL02	
TOLERANCES UNLESS OTHERWISE SPECIFIED:		NAME		
0-PLC ±	±0.2	PIN ASSEMBLY, Z-PACK 2mm HM, TYPE A/B, 95 POS		
1-PLC ±0.1		SIZE	CAGE CODE	DRAWING NO
2-PLC ±		A1	00779	646948
3-PLC ±		WEIGHT		
4-PLC ±		CUSTOMER DRAWING		
ANGLES		SCALE	SHEET	REV
		4:1	1 of 1	B

646948-1
PART NUMBER