



Chipsmall Limited consists of a professional team with an average of over 10 year of expertise in the distribution of electronic components. Based in Hongkong, we have already established firm and mutual-benefit business relationships with customers from,Europe,America and south Asia,supplying obsolete and hard-to-find components to meet their specific needs.

With the principle of “Quality Parts,Customers Priority,Honest Operation,and Considerate Service”,our business mainly focus on the distribution of electronic components. Line cards we deal with include Microchip,ALPS,ROHM,Xilinx,Pulse,ON,Everlight and Freescale. Main products comprise IC,Modules,Potentiometer,IC Socket,Relay,Connector.Our parts cover such applications as commercial,industrial, and automotives areas.

We are looking forward to setting up business relationship with you and hope to provide you with the best service and solution. Let us make a better world for our industry!



## Contact us

Tel: +86-755-8981 8866 Fax: +86-755-8427 6832

Email & Skype: info@chipsmall.com Web: www.chipsmall.com

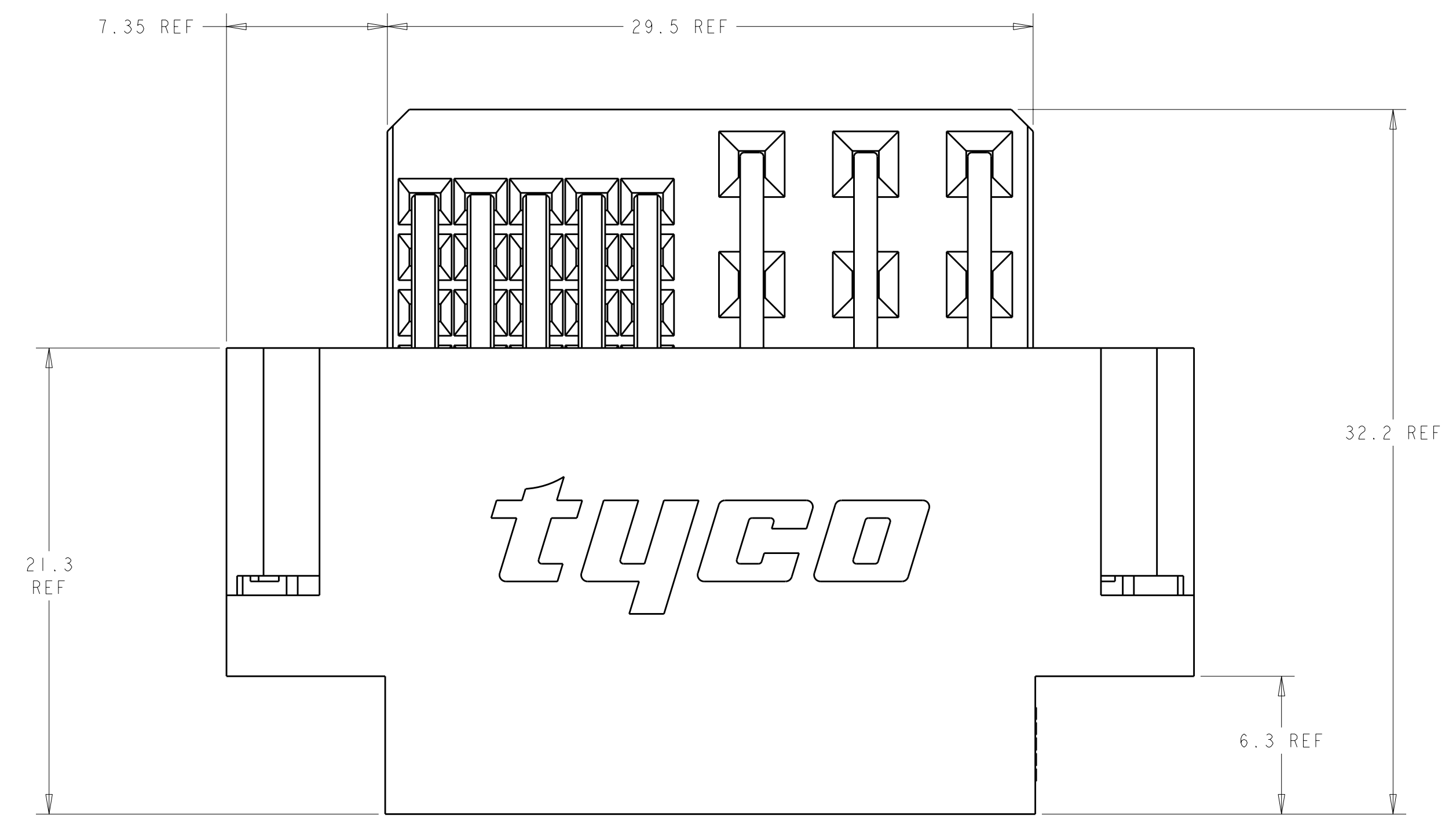
Address: A1208, Overseas Decoration Building, #122 Zhenhua RD., Futian, Shenzhen, China



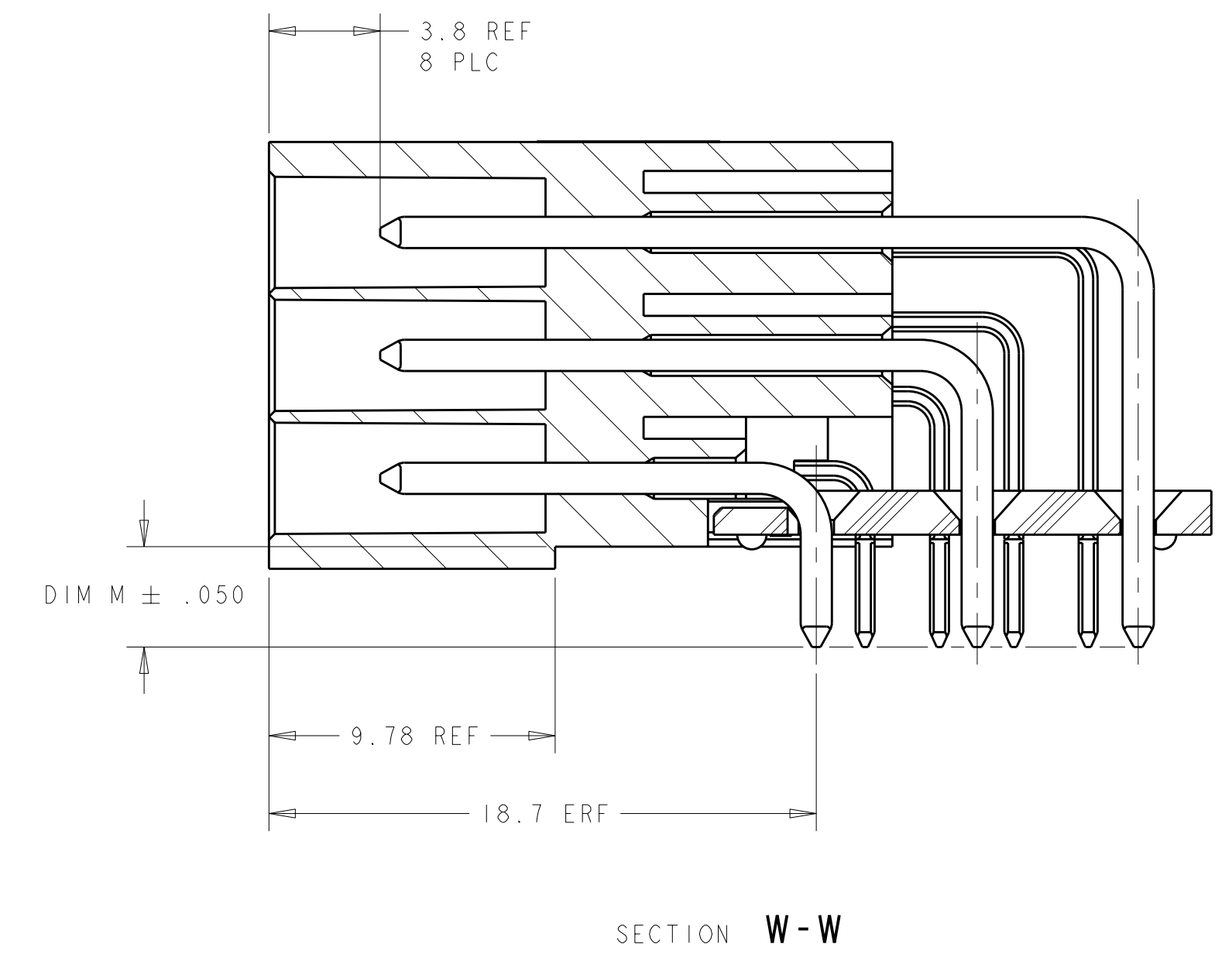
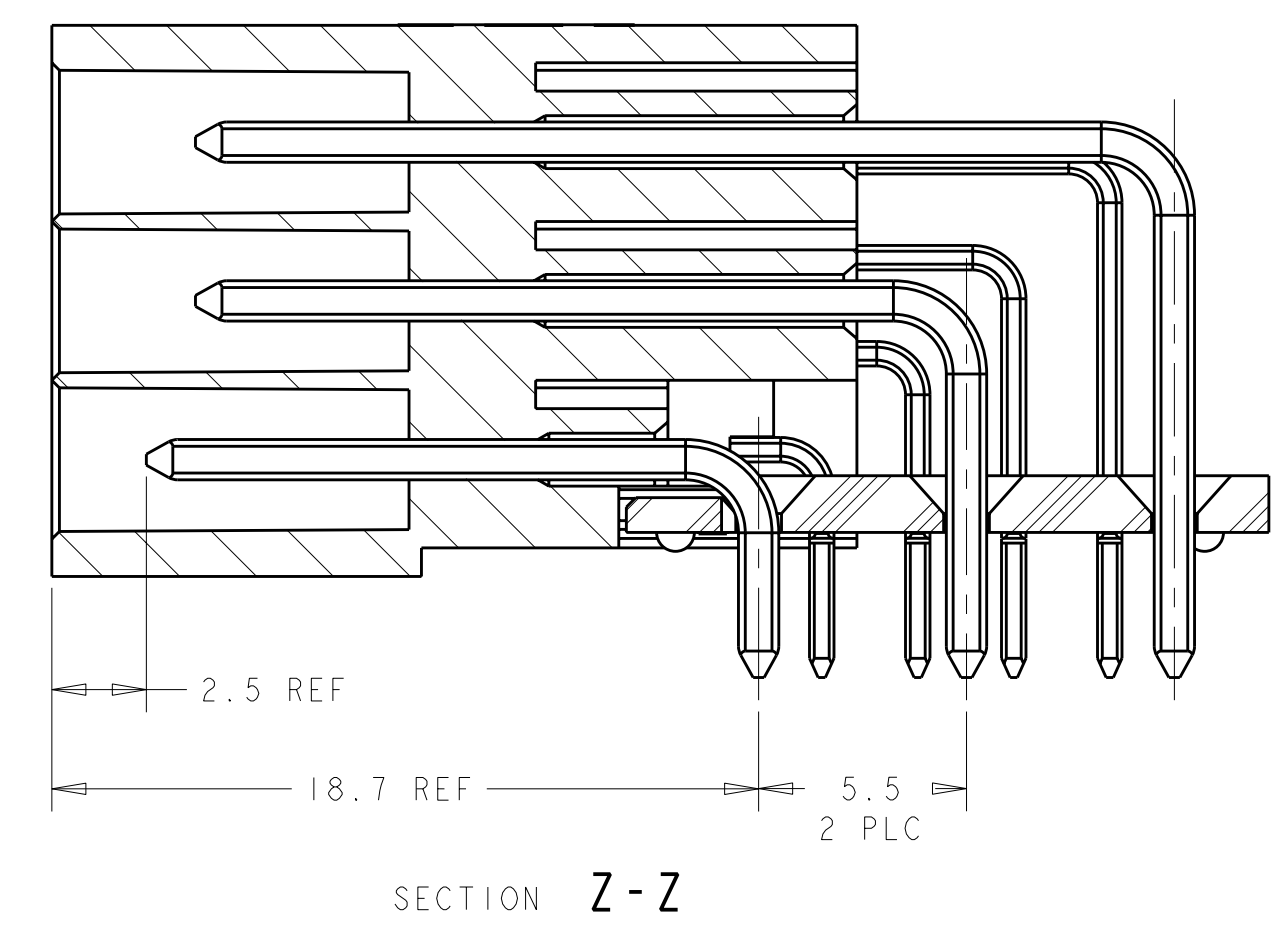
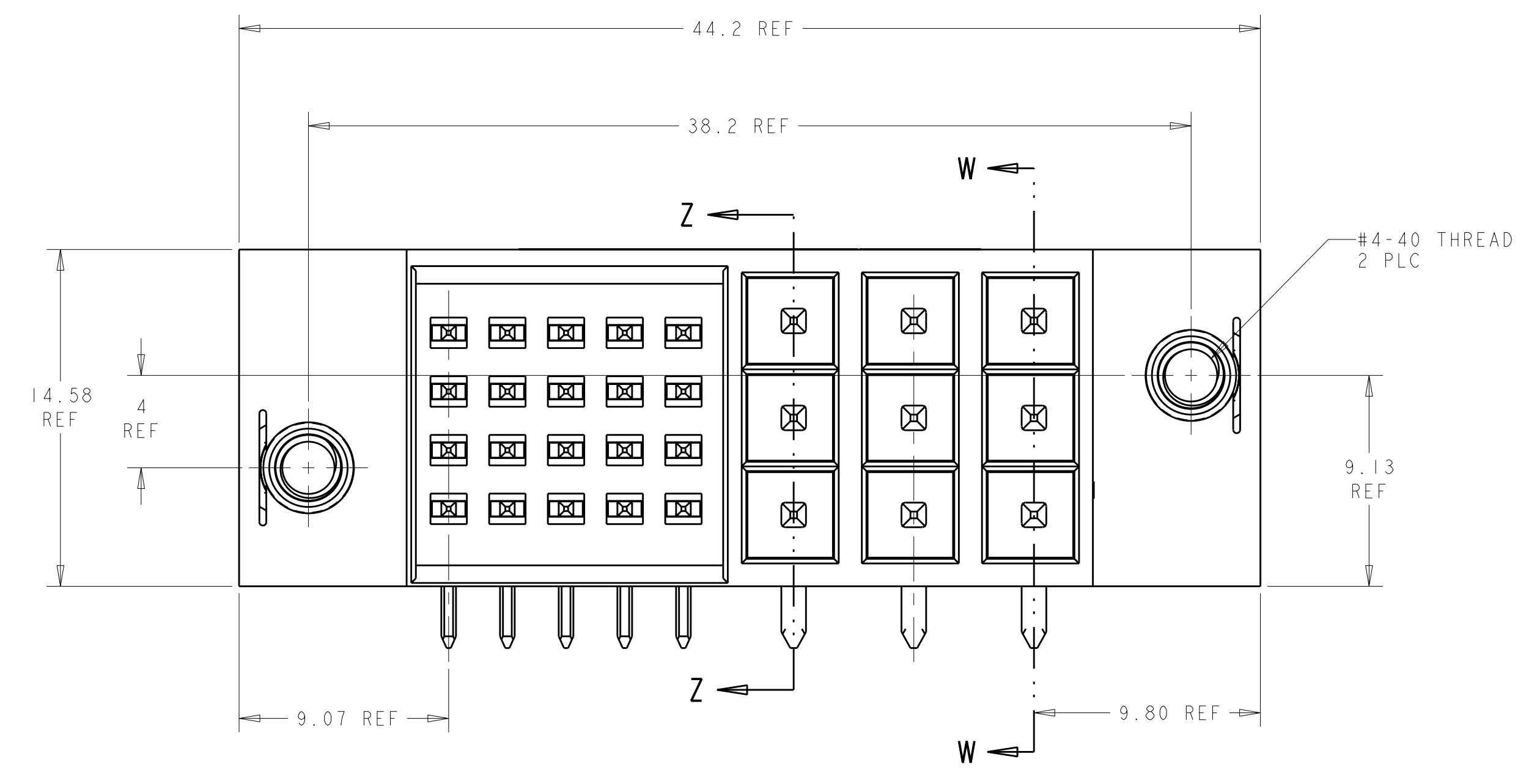
LOC	DIST	REV	DATE	BY	CHK	APPD
AD	00					

REV	DATE	DESCRIPTION	DATE	BY	CHK	APPD
6	30 JUN 2009	ADDED NOTES FOR TORQUE				
7	22 JUL 2009	ADDED NEW DASHNUMBER -3 AND -4				
8	23 JUL 2009	REVISED DRAWING				
A	23 JUL 2009	REV PER ECR-09-016443				



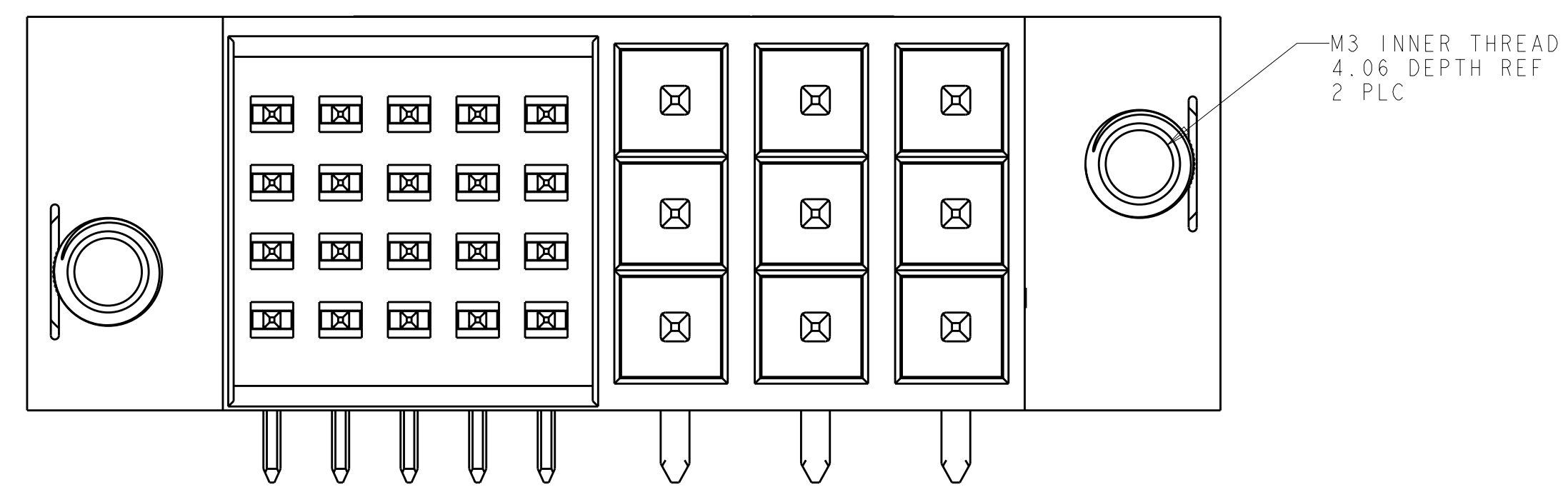
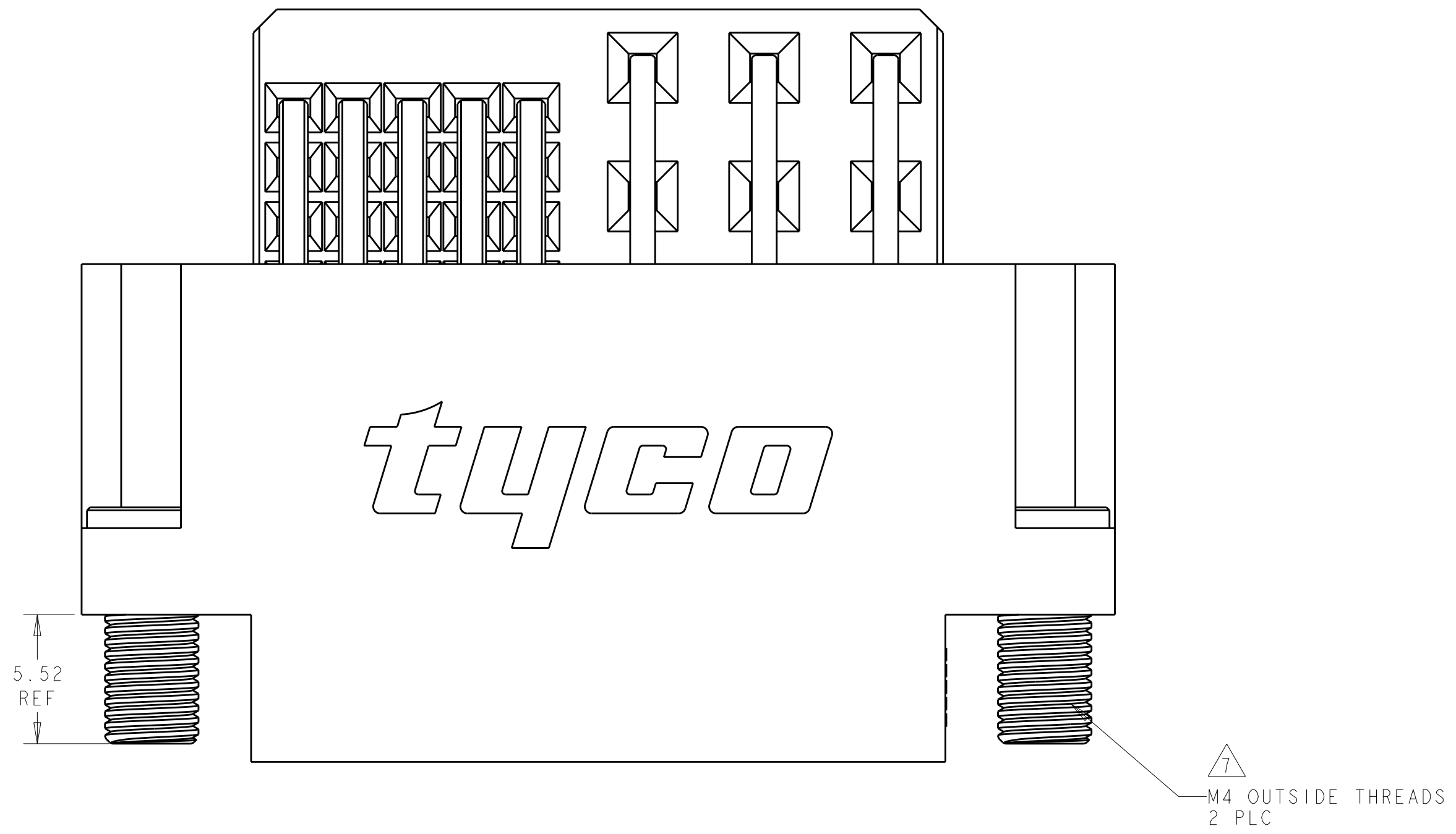
- 1 MATERIAL: HOUSING & SPACER - THERMOPLASTIC; COLOR - BLACK  
 SIGNAL CONTACT - PHOSPHORUS BRONZE  
 POWER CONTACT - COPPER ALLOY  
 THREADED INSERT - ZINC
- 2 PLATING: SIGNAL CONTACT - 1.27um MIN NICKEL OVER ALL  
 1 um MIN MATTE TIN ON CONTACT AREA  
 0.76 um MIN GOLD ON INTERFACE AREA  
 POWER CONTACT - 1.27um MIN NICKEL OVER ALL  
 1 um MIN MATTE TIN ON CONTACT AREA  
 0.76 um MIN GOLD ON INTERFACE AREA  
 THREADED INSERT - CLEAR CHROMATE
- 3 PCB - ALL HOLE DIAMETERS FINISHED HOLE SIZES
- 4 DATUMS AND BASIC DIMENSIONS ESTABLISHED BY CUSTOMER
- 5 DIMENSION APPLIES TO CENTERLINE OF THRU HOLE
- 6 OPTIONAL - NEEDED FOR USE WITH BOARD LOCKS
- 7 FOR 6469602-3 AND -4 THE RECOMMENDED TORQUE FOR THE STANDOFF NUT IS 1.02 N-m (9.00 in-lbs) MAX
- 8 FOR 6469602-3 AND -4 PLEASE REFER TO SHEET 2.
- 9 FOR 6469602-1 AND -2 THE DIMENSION D IS 3.5 mm.  
 FOR 6469602-3 AND -4 THE DIMENSION D IS 4.5 mm.



6.86	6469602-2
3.43	6469602-1
DIM M	PART NUMBER

DIMENSIONS: mm TOLERANCES UNLESS OTHERWISE SPECIFIED: 9 PLC ± 1 PLC ± 2 PLC ± 3 PLC ± 4 PLC ± ANGLES ± FINISH		DWN S.J. MAGARO 31 JAN 2006 CHK C. RITIER 31 JAN 2006 APVD PRODUCT SPEC APPLICATION SPEC WEIGHT CUSTOMER DRAWING	Tyco Electronics Corporation Harrisburg, PA 17105-3608 NAME DUAC PL - II, HEADER ASSEMBLY SIZE CAGE CODE DRAWING NO A100779C=6469602 SCALE 5:1 SHEET 1 OF 3 REV A
---	--	--	--

LOC	DIST	REVISIONS			
P	LTR	DESCRIPTION	DATE	DWN	APVD
AD	00	SEE SHEET 1	-	-	-



6469602-3 AND 6469602-4  
 UNSPECIFIED DIMENSIONS PLEASE REFER TO SHEET 1.

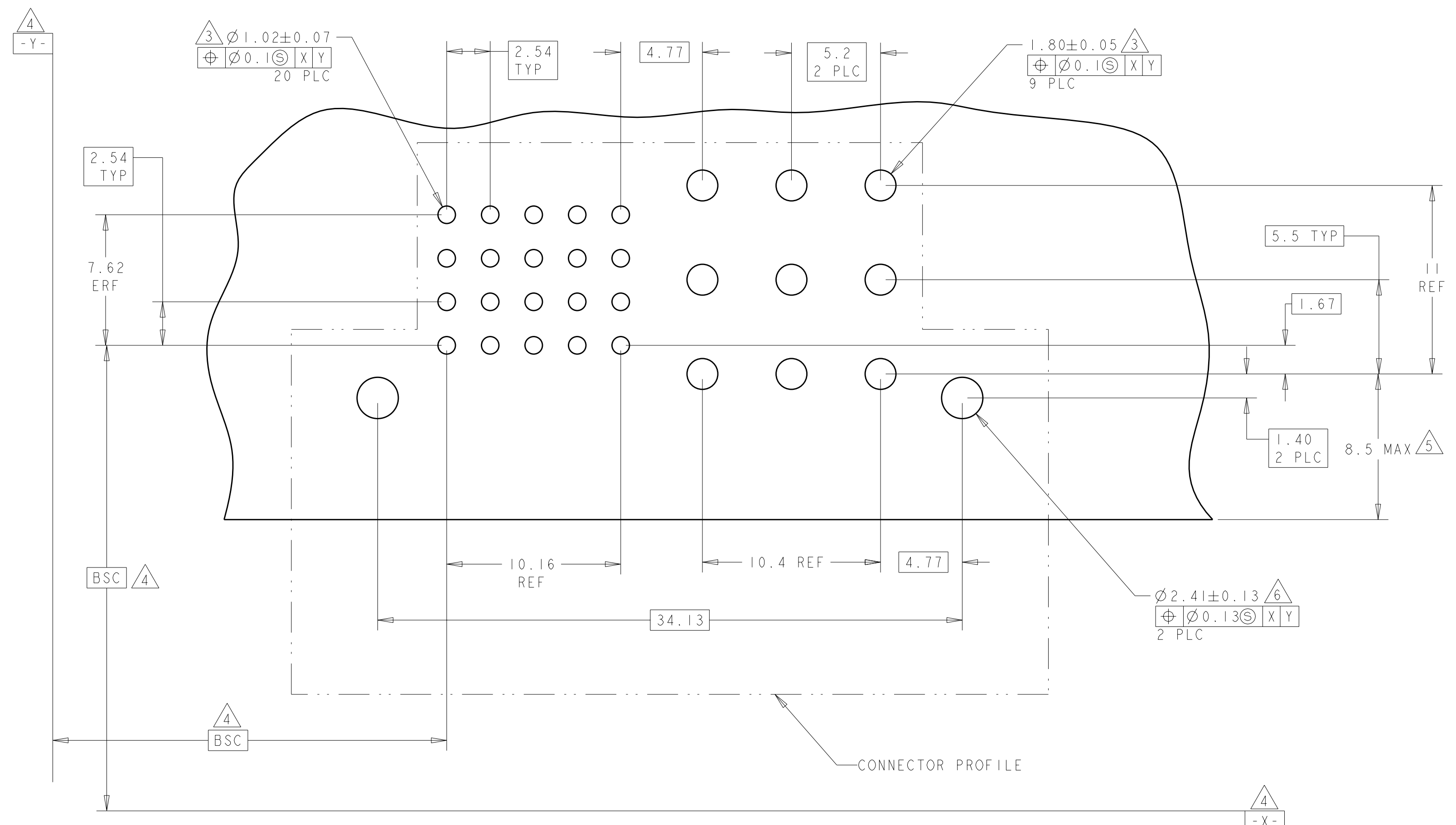
6.86	6469602-4
3.43	6469602-3
DIM M	PART NUMBER

<small>THIS DRAWING IS UNPUBLISHED. IT IS SUBJECT TO CHANGE WITHOUT NOTICE AND WITHOUT OBLIGATION. SHOULD BE CONTACTED FOR THE LATEST REVISION.</small>		DWN S. J. MAGARO 31JAN2006 CHK C. RITIER 31JAN2006	Tyco Electronics Corporation Harrisburg, PA 17105-3608
DIMENSIONS: mm 		TOLERANCES UNLESS OTHERWISE SPECIFIED: 9 PLC ± 1 PLC ± 2 PLC ± 3 PLC ± 4 PLC ± ANGLES ± FINISH ±	NAME DUAC PL - 11, HEADER ASSEMBLY PRODUCT SPEC - APPLICATION SPEC - SIZE CAGE CODE DRAWING NO. RESTRICTED TO A 100779 C=6469602 WEIGHT - CUSTOMER DRAWING SCALE 5:1 SHEET 2 OF 3 REV A

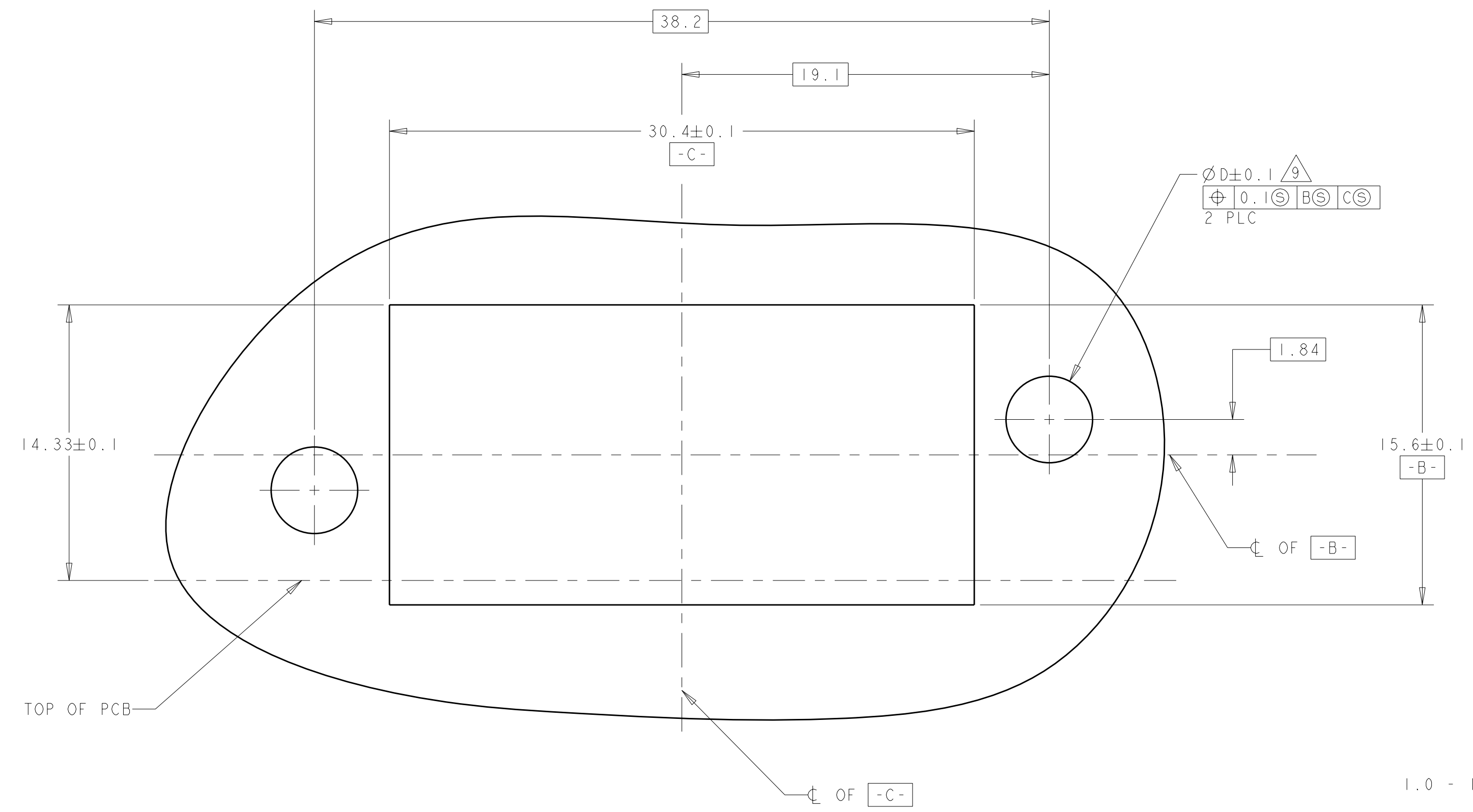
LOC	DIST	REV	DATE	BY	APPD
AD	00				

REVISIONS		DATE	BY	APPD
1	SEE SHEET 1			



PCB SHOWN FROM COMPONENT SIDE OF BOARD  
 SCALE 5:1



PANEL CUT-OUT  
 SCALE 5:1

<small>THIS DRAWING IS UNPUBLISHED. RELEASED FOR PUBLICATION. ALL RIGHTS RESERVED. THIS IS SUBJECT TO CHANGE WITHOUT NOTICE. TOLERANCES UNLESS OTHERWISE SPECIFIED: DIMENSIONS IN MILLIMETERS.</small>		DWN S. J. MAGARO 31JAN2006 CHK C. RITTER 31JAN2006 APVD -	Tyco Electronics Corporation Harrisburg, PA 17105-3608
DIMENSIONS: mm 	TOLERANCES UNLESS OTHERWISE SPECIFIED: 9 PLC ± 1 PLC ± 2 PLC ± 3 PLC ± 4 PLC ± ANGLES ± FINISH ±	NAME PRODUCT SPEC APPLICATION SPEC WEIGHT CUSTOMER DRAWING	Tyco Electronics DUAC PL - 11, HEADER ASSEMBLY SIZE CAGE CODE DRAWING NO A100779C=6469602 SCALE 5:1 SHEET 3 OF 3 REV A